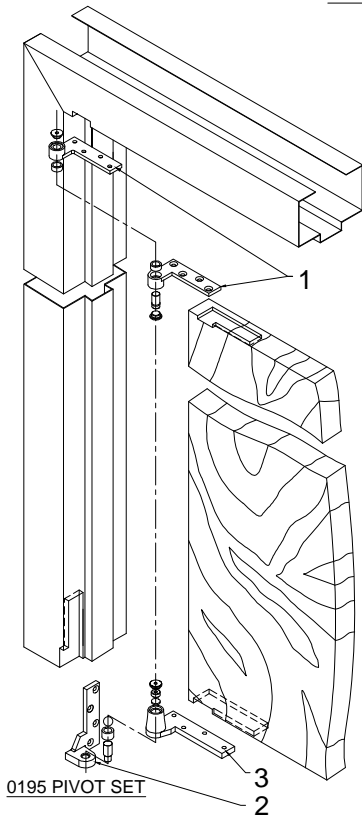
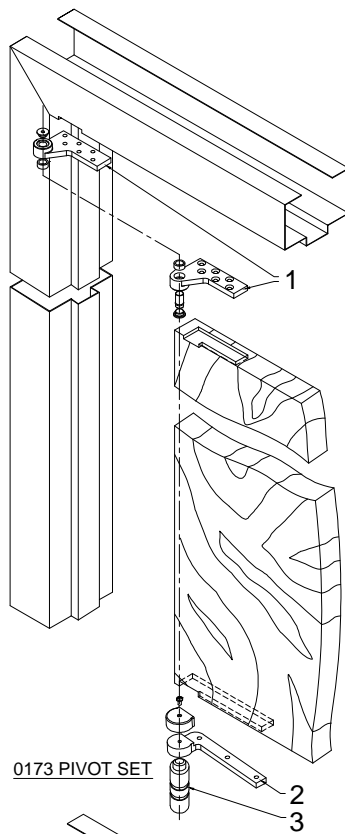


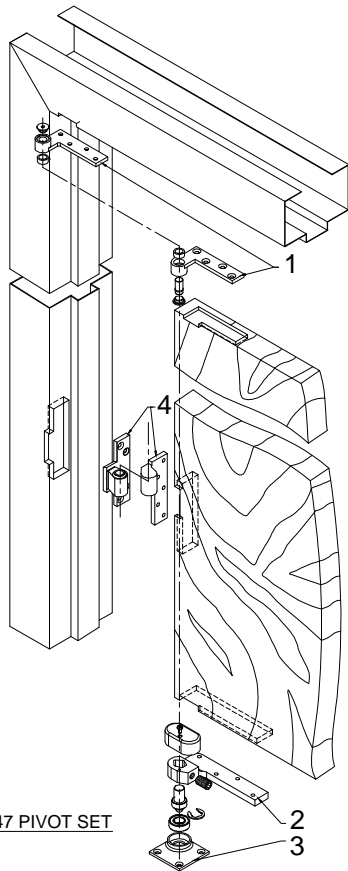
3/4" OFFSET PIVOT SET - SINGLE ACTING



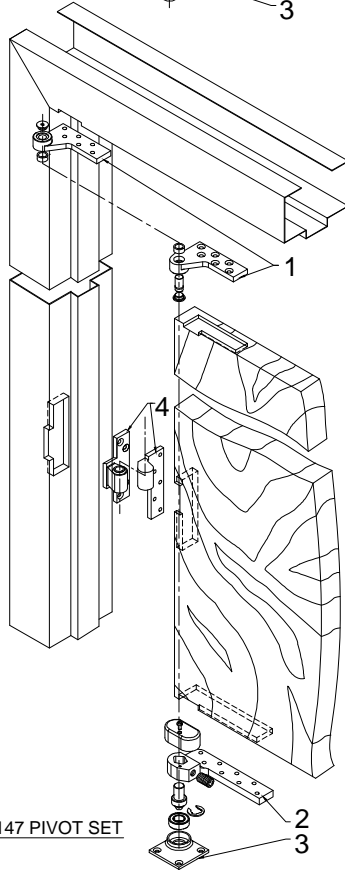
0195 PIVOT SET



0173 PIVOT SET



0147 PIVOT SET



L0147 PIVOT SET

0195 Pivot Set

For doors up to 48" wide & weighing up to 450 lb.

For up to 3 hours fire rated door-standard

- 1 **0180** Top pivot
- 2 **0195** Bottom Leaf into side jamb, S.S.
- 3 Door Leaf
S.S. (heavy duty needle bearing)

Specify Handing - LH or RH

0173 Pivot Set

For doors up to 36" wide & weighing up to 150 lb.

For up to 3 hours fire rated door-standard

- 1 **0180** Top pivot
- 2 **0173** Bottom Arm into door, S.S.
- 3 Floor Stud into concrete
S.S. (heavy duty bearing)

Specify Handing - LH or RH

0147 Pivot Set

For doors up to 48" wide & weighing up to 600 lb.

For up to 3 hours fire rated door-standard

- 1 **0180** Top pivot
- 2 **0147** Bottom Arm into door
- 3 Floor Bearing,
S.S. (heavy duty)
- 4 **019** Intermediate pivot (optional)

Specify Handing - LH or RH

L0147 Pivot Set

For 1-3/4" lead-lined doors up to 48" wide & weighing up to 1000 lb.

For up to 3 hours fire rated door-standard

- 1 **L0180** Top pivot
- 2 **L0147** Bottom Arm
- 3 Floor Bearing,
S.S. (heavy duty)
- 4 **L019** Intermediate pivot (optional)

Specify Handing - LH or RH

3/4" OFFSET PIVOT CONFIGURATION.DWG



® www.abhmf.com

E-mail: abhinfo@abhmf.com

Architectural Builders Hardware Mfg., Inc.

1222 Ardmore Ave., Itasca, IL 60143

630.875.9900; FAX 800.9FAXABH (932.9224)

PIVOT CONFIGURATION
0147,0195,0173 - 3/4" OFFSET

©2018 ABH Mfg., Inc.
printed in USA

ISSUED 4/30/18