

# 2100(F)WS

## Rim Exit Devices (Single Door)

**ACCENTRA**  
**ASSA ABLOY**

### Installation Instructions

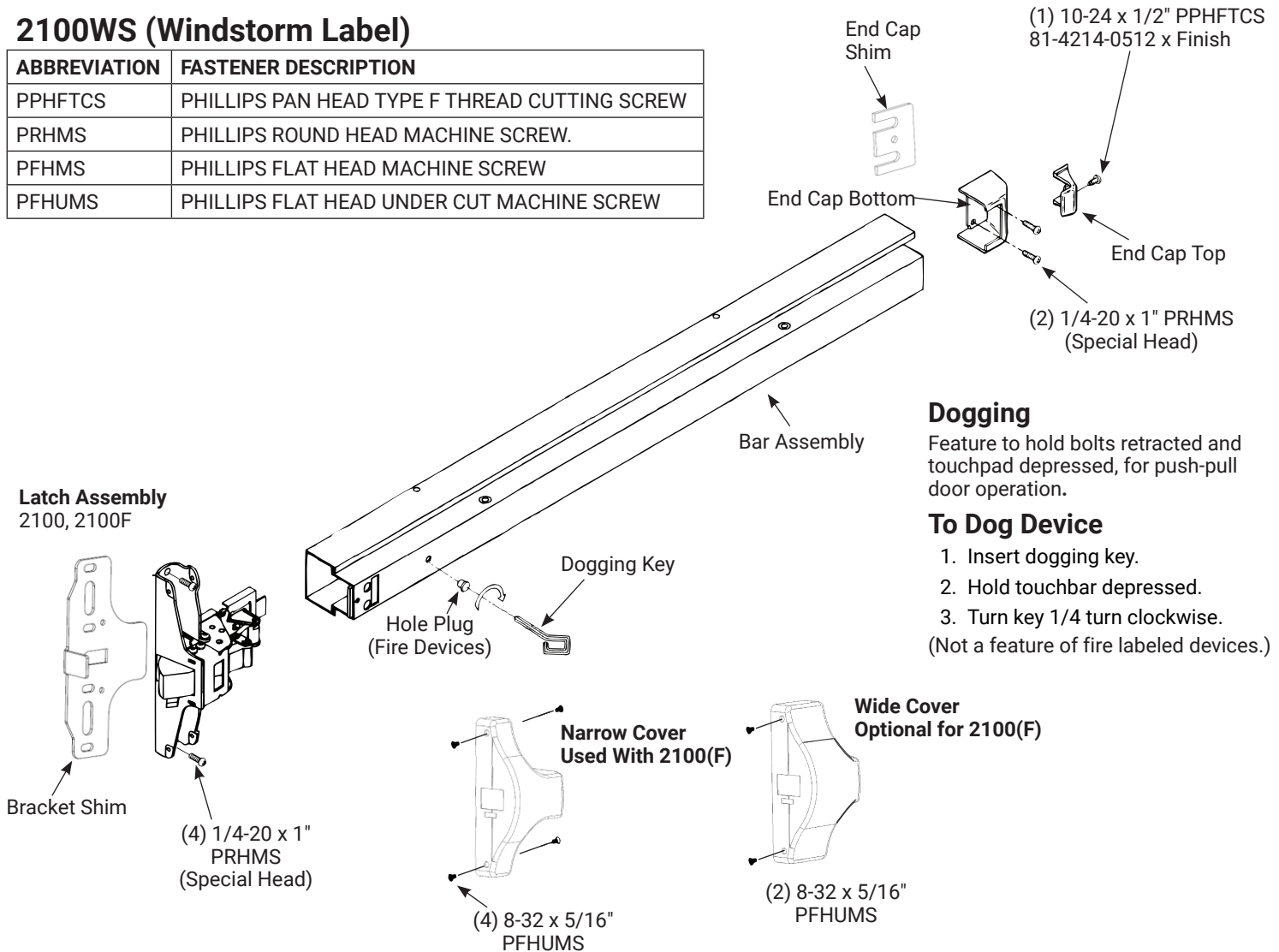
**NOTE:** These installation instructions cover standard product only. To install options, such as shim kits or interlock brackets, refer to the instructions packed with the optional component.

Packed for reinforced metal doors.

**Outside Trim:** Device is packed ready for any applicable ASSA ABLOY ACCENTRA™ Trim.

### 2100WS (Windstorm Label)

ABBREVIATION	FASTENER DESCRIPTION
PPHFTCS	PHILLIPS PAN HEAD TYPE F THREAD CUTTING SCREW
PRHMS	PHILLIPS ROUND HEAD MACHINE SCREW.
PFHMS	PHILLIPS FLAT HEAD MACHINE SCREW
PFHUMS	PHILLIPS FLAT HEAD UNDER CUT MACHINE SCREW



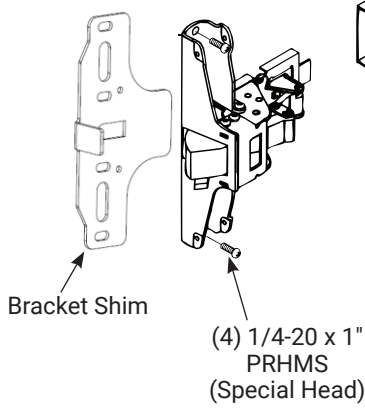
#### Dogging

Feature to hold bolts retracted and touchpad depressed, for push-pull door operation.

#### To Dog Device

1. Insert dogging key.
  2. Hold touchbar depressed.
  3. Turn key 1/4 turn clockwise.
- (Not a feature of fire labeled devices.)

#### Latch Assembly 2100, 2100F



#### ⚠ WARNING

This product can expose you to lead which is known to the state of California to cause cancer and birth defects or other reproductive harm. For more information go to [www.P65warnings.ca.gov](http://www.P65warnings.ca.gov).

#### ⚠ WARNING

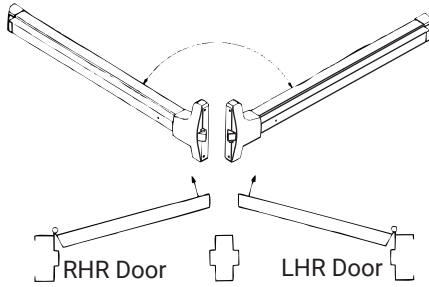
Attention Installer: Any retrofit or other field modification to a fire rated opening can potentially impact the fire rating of the opening, and ASSA ABLOY makes no representations or warranties concerning what such impact may be in any specific situation. When retrofitting any portion of an existing fire-rated opening, or specifying and installing a new fire-rated opening, please consult with a code specialist or local code official (Authority Having Jurisdiction) to ensure compliance with all applicable codes and ratings.

1-855-557-5078 Ext. 2 • [www.accentra-assaabloy.com](http://www.accentra-assaabloy.com)

80-9421-0002-000 04/24

Experience a safer  
and more open world

### For Doors of Either Hand



### Maintenance

1. Periodically remove covers and coat mechanisms with a silicone base lubricant. This is particularly required in corrosive environments for proper product function.
2. Check mounting fasteners periodically. Retighten if found loose. Apply screw locking compound (available at automotive part stores) or change part fasteners if screws continue to back up.
3. Periodic checks (and adjustments) of strikes are required to compensate for changes in the opening (e.g. door sagging).

### Check Before Starting

#### Unreinforced Doors or Frames

Doors and Frames with walls having a structural thickness (metal skin plus reinforcement or solid hardwood) to engage less than (3) full screw threads are considered unreinforced.

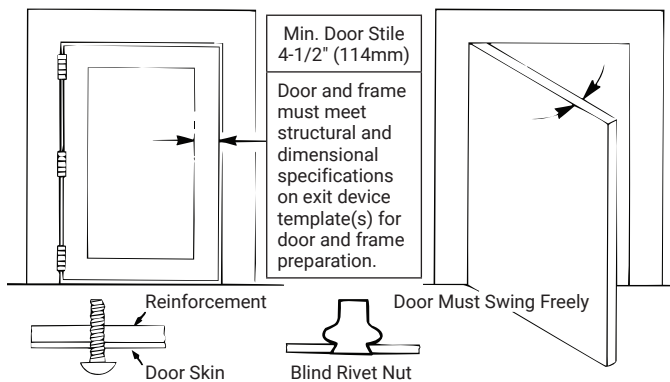
#### Unreinforced Doors:

Use SNB (sex nuts and bolts).

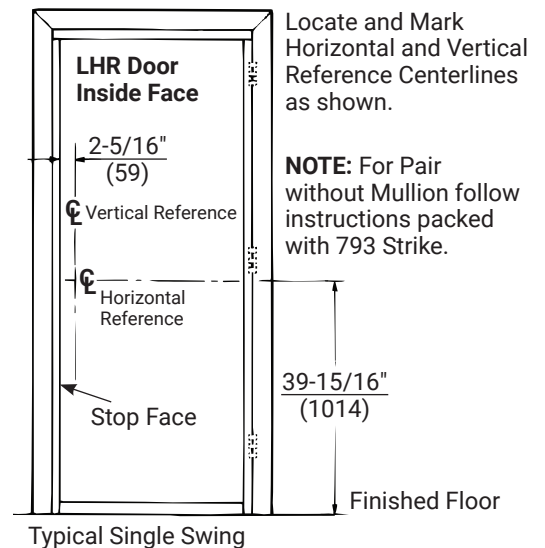
#### Unreinforced Frames:

Use Blind Rivet Nuts.

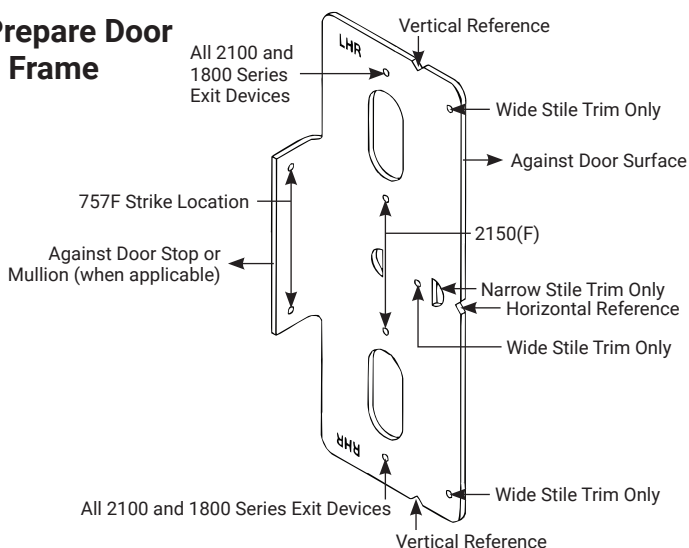
Recommended fasteners for unreinforced openings are not necessarily supplied by ACCENTRA.



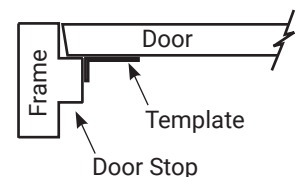
### 1. Mark Door



### 2. Prepare Door and Frame



- A. Seat plastic template on door and stop faces.
- B. Align horizontal and vertical centerlines.
- C. Locate and tape Trim Template on door. (See instructions packed with Trim).
- D. Spot and prepare holes.



Device: Each (4) 1/4-20 Machine Screws\* OR (2) 3/8" (10) Dia. Optional Sex Nuts & Bolts.

(\* ) **Metal reinforced door only.**

Strike: (4) 10-24 Machine Screws OR (2) #10 Wood Screws

# 2100(F)WS

## Rim Exit Devices (Single Door)

### Installation Instructions

# ACCENTRA

# ASSA ABLOY

### 3. Clear Raised Door Molding

Device (head bar and end cap) must seat flush on door surface or on shims that keep it parallel to door face.

(1) Shim Kit needed to clear each 1/8" (3mm) of raised molding. See instructions provided with shim kits for installation.

### 4. Mount Components

A. Mount Trim (Follow instructions packed with trim).

B. Mount Latch Case:

- Use (4) 1/4-20 x 1" PRHMS or SNB for 2100(F)WS

C. Open door. Slide Bar over door surface until touching Latch Case wall. Slider in Latch Case penetrates into Bar. (**See Detail 1**).

D. Set Bar level.

E. Size Bar. To cut Bar, see (**Detail 2**).

F. Reposition Bar (**Detail 1**). Clamp Bar with End Cap Bottom (**Detail 3**). Locate End Cap Bottom mounting holes.

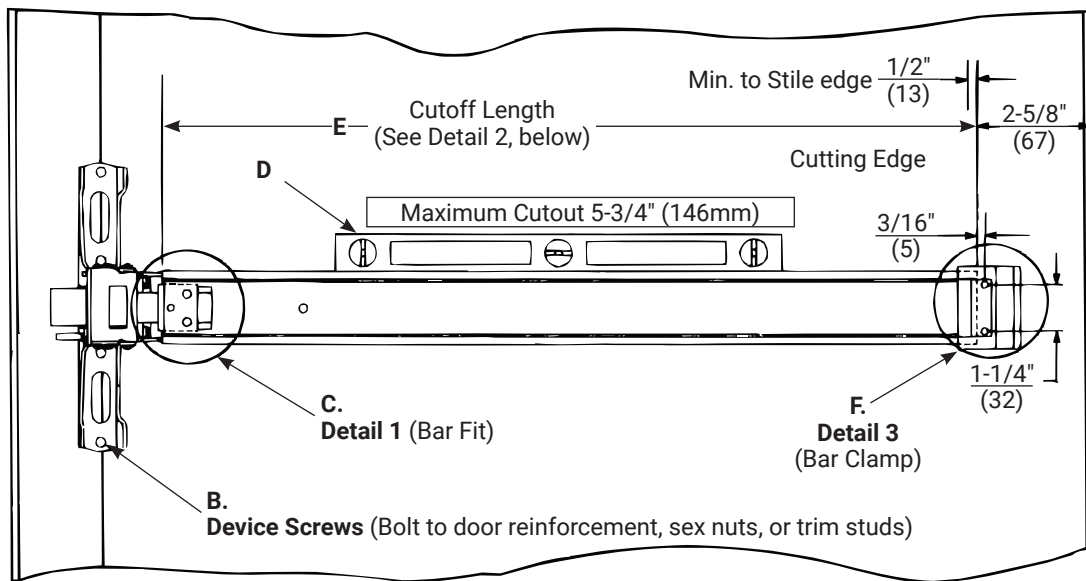
G. Prepare End Cap Bottom mounting holes. Mount End Cap Bottom (**Detail 3**). (2 ea. 1/4-20 PRHMS or 3/8" (10) dia. SNB).

H. Check Bolt Retraction.

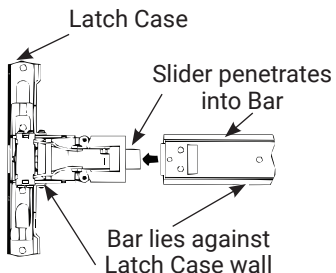
1. Depress bar (bolts must retract). Release bar (bolts must extend).
2. Actuate trim (bolts must retract). Release trim actuator (bolts must extend).
3. Depress touchbar, turn dogging key clockwise (bar must remain depressed, bolts must remain retracted). Turn dogging key counterclockwise (bar and bolts must return to extended position).

I. Tighten all mounting screws.

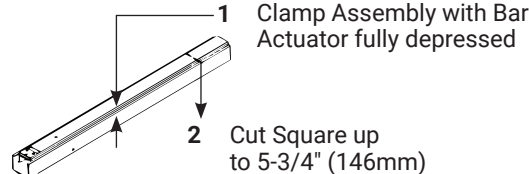
**NOTE:** When resulting operation is faulty, check first for visible binding or interference. If there is no apparent reason for the fault, remove item from the door and recheck its operation before assuming that it is defective



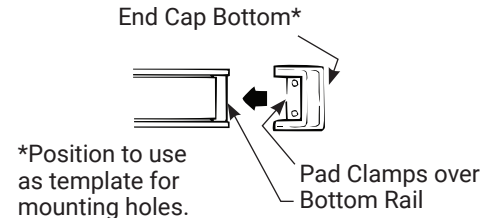
**Detail 1: Fit Bar**



**Detail 2: To Cut Bar**



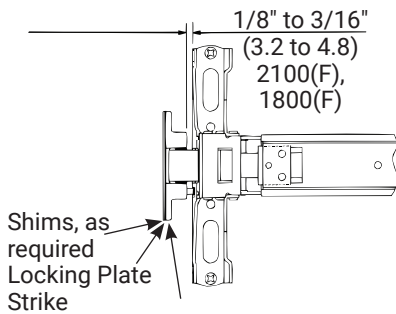
**Detail 3: Clamp Bar**



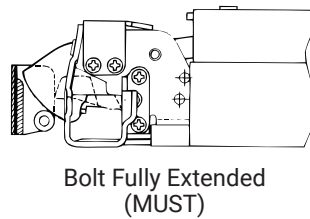
## 5. Install Strike

- A. Position Strike Projection (Strike + Locking Plate + Shims, if needed). (See **Detail A**).
- B. Position Strike Depth:
  - 2100(F), See (**Detail B**).
- C. Fasten Strike Securely, as shown on (**Detail C**).
- D. Check Bolt Engagement.
  1. Bolt should retract to clear the strike, when actuated by bar, trim, or dogging action. Bolt should consistently reengage the strike, when actuators are released and the door shuts.
  2. Door should remain latched and not rattle when pushed, pulled, or shaken in/out.

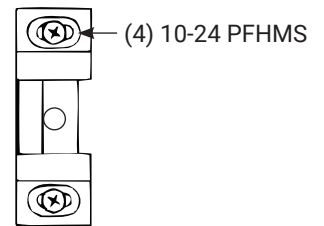
**Detail A**



**Detail B**

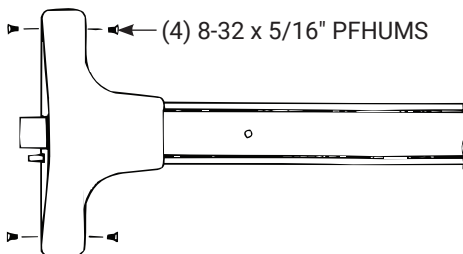


**Detail C**



## 6. Install Head Cover and End Cap Top

**Cover Detail**



**End Cap Detail**

