

M200 & M200F

Steel Mullions

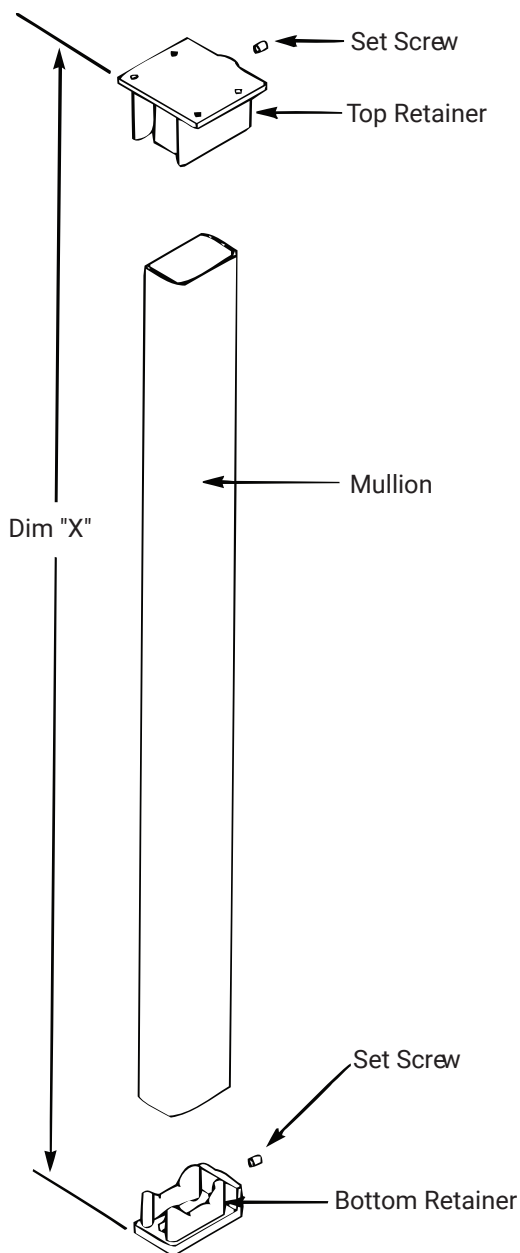
Installation Instructions

ACCENTRA

ASSA ABLOY

Tools Required

- Measuring Tape
 - Pencil
 - Drill & Tap Sizes #7 drill and 1/4"-20 tap
 - #2 & #3 Phillips Screw Drivers
 - Concrete Drill 3/8" diameter
 - Center Punch
 - Hammer
 - 5/32" Allen Wrench
1. Close and block doors against frame stops. Check gap between door leaves and door to frame. Correct if necessary.
 2. Locate the center of the opening on the floor. Using the bottom retainer, mark the positions for the two drop-in fasteners.
 3. Drill holes with 3/8" diameter cement bit to a minimum depth of 2-1/2" (63.5).
 4. Fasten bottom retainer to floor.
 5. Locate the center of the opening on the top of the frame. Using the top retainer, mark the positions for the four fasteners.
 - a. The door should evenly rest against both the frame stop and the mullion.
 - b. If a top retainer mounting kit is used, modify weatherstripping as required.
 6. Drill and tap each location for 1/4"-20 fasteners.
 7. Measure "Dim X" as shown. Remove material from the bottom of the mullion per the formula length of mullion = "dim X" minus 3/4" (19).
- Note: This leaves approximately 1/8" (3.2) clearance. between the mullion and the top retainer when mounted.
8. Place mullion onto bottom retainer and place top retainer on top of mullion. Pivot into opening and secure top retainer with provided fasteners.
 9. Tighten set screws in both top and bottom retainers.
 10. Install exit devices according to the manufacturer's instructions.



⚠ WARNING

This product can expose you to lead which is known to the state of California to cause cancer and birth defects or other reproductive harm. For more information go to www.P65warnings.ca.gov.

⚠ WARNING

Attention Installer: Any retrofit or other field modification to a fire rated opening can potentially impact the fire rating of the opening, and ASSA ABLOY makes no representations or warranties concerning what such impact may be in any specific situation. When retrofitting any portion of an existing fire-rated opening, or specifying and installing a new fire-rated opening, please consult with a code specialist or local code official (Authority Having Jurisdiction) to ensure compliance with all applicable codes and ratings.

1-855-557-5078 Ext. 2 • www.accentra-assaabloy.com

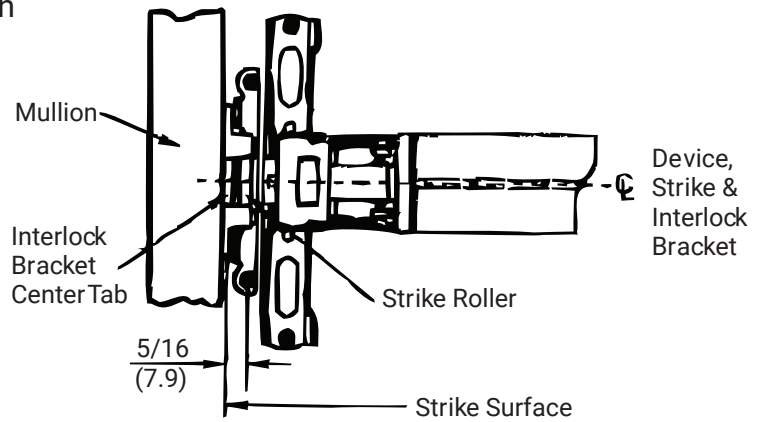
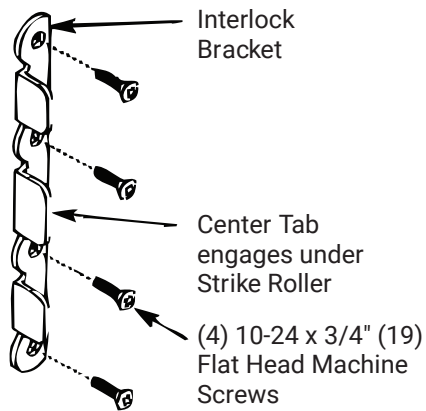
80-7401-0200-000 04/24

Fire Rated Rim and Squarebolt® Exit Devices

After exit devices and strikes have been assembled, install Interlock Brackets with #10-24 x 3/4" screws as shown in illustration below.

Interlock Installation

Interlock Bracket Required for Fire Rated SquareBolt® and Rim Exit Device with Mullion.



1. Position strike Interlock Bracket in place, as shown. Locate bracket holes.
2. Prepare Interlock Bracket mounting holes and mount with (4) 10-24 x 3/4" screws (and SNG's when applicable).

M200 & M200F
Stell Mullions
Installation Instructions



