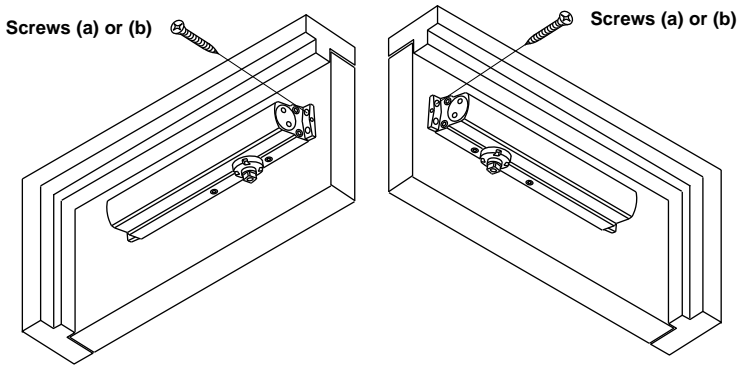
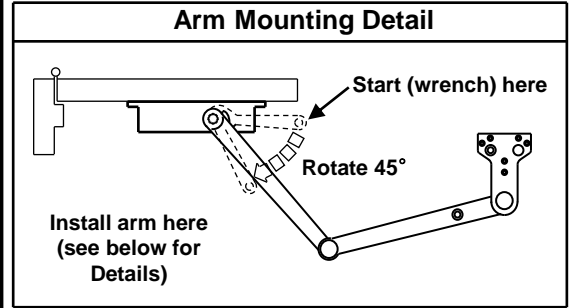


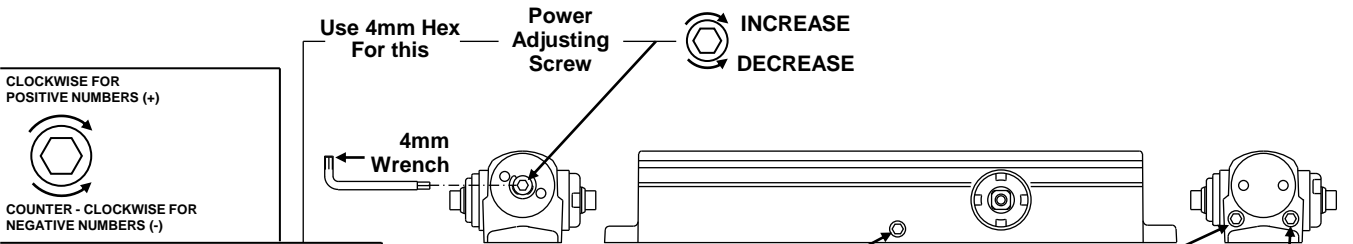
4 Mount closer on door using screw.
SPEED ADJUSTING VALVES MUST BE POSITIONED AWAY FROM HINGE SIDE.



5 Place main arm on closer pinion shaft.
 Tighten the screw (c) or (m)

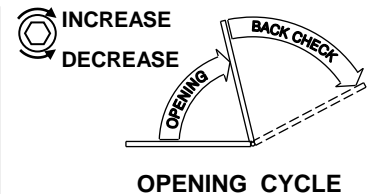
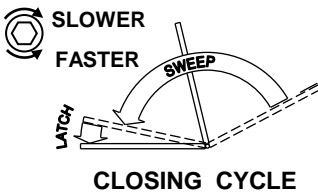


6 DOOR CLOSER ADJUSTMENT



POWER ADJUSTMENT CHART

DOOR CLOSER SIZE	FULL TURNS OF POWER ADJUSTING SCREW	APPLICABLE DOOR LEAF WIDTH		APPLICABLE DOOR WEIGHT
		INTERIOR	EXTERIOR (SWING OUT)	
1	- 8	32" (0.81m)	28" (0.71m)	33 56 LBS (15 30 Kg)
2	- 4	36" (0.91m)	32" (0.81m)	56 99 LBS (30 45 Kg)
3	0 (PRESET)	42" (1.07m)	36" (0.91m)	99 143 LBS (45 65 Kg)
4	+ 3	48" (1.22m)	42" (1.07m)	143 187 LBS (65 85 Kg)
5	+ 8	54" (1.37m)	48" (1.22m)	187 264 LBS (85 120 Kg)
6	+ 11	58" (1.47m)	54" (1.37m)	264 330 LBS (120 150 Kg)



CAUTION!! Do not turn speed adjusting valve more than two(2) full turns counter-clockwise. Do not back valves out of closer or a leak will result.

7 Install full cover, using small screws.

HOW TO ENGAGE THUMBTURN

Turn onequarter turn to engage or disengage.

