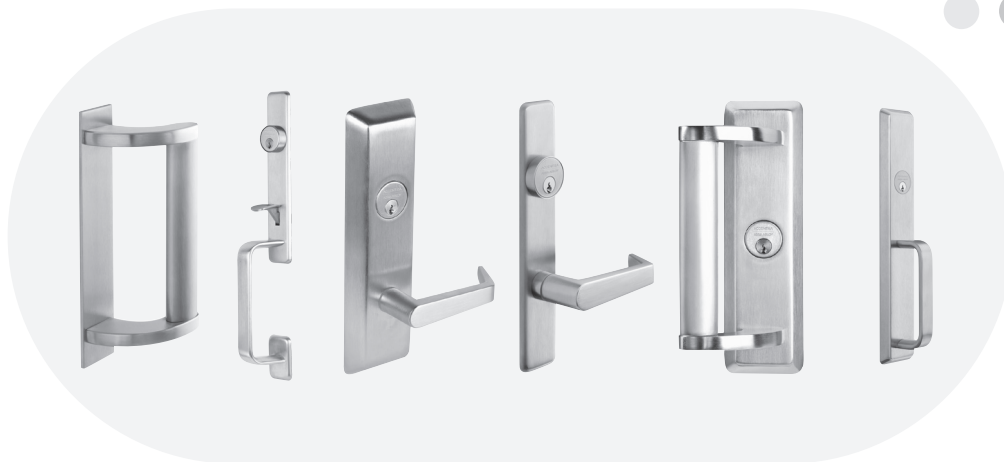


# EXIT DEVICE TRIM AND MULLIONS

## Parts Manual



**TABLE OF CONTENTS**

Introduction/How to Order .....	3	500F Series Narrow Escutcheon Trim	
Finishes .....	3	500F, 501F, 503F, 507F .....	30-31
210F Series Plate Trim		506F, 508F, 509F .....	32-33
213F, 214F, 217F .....	4	510F Series Narrow Pull/Thumbpiece Trim	
620F Series Wide Escutcheon Trim		512F, 514F .....	34-35
620F, 621F .....	5-6	513F, 517F .....	36-37
603F, 626F, 628F, 629F .....	7-8	518F, 519F .....	38-39
627F .....	9-10	480F Series Narrow Offset Pull Escutcheon Trim	
690F Series Wide Escutcheon Trim - Electrified		480F, 481F, 482F, 483F .....	40
690F, 691F .....	11-12	680F Series Wide Offset Pull Escutcheon Trim	
650F Series Wide Escutcheon Trim		680F, 681F, 684F .....	41
651F .....	5-6	440F Series Rose Trim	
656F, 658F .....	13-14	441F, 446F, 448F, 449F .....	42-43
350F Series Wide Escutcheon Trim		540F Series Rose Trim	
356F, 358F .....	15-16	541F, 546F, 548F, 549F .....	44-45
420F Series Wide Escutcheon Trim		580F Series Rose with Escutcheon Plate Trim	
420F, 421F .....	17	581F, 586F, 588F, 589F .....	46-47
426F, 428F, 429F .....	18-19	Lever Designs .....	48-49
427F .....	20-21	Cylinders .....	50
630F Series Wide Pull/Thumbpiece Escutcheon Trim		Mullions .....	51-52
630F, 631F .....	22-23	Handing .....	53
632F, 634F .....	24-25		
633F, 635F .....	26-27		
660F Series Wide Pull/Thumbpiece Escutcheon Trim			
661F .....	22-23		
662F .....	24-25		
670F Series Wide Pull/Thumbpiece Escutcheon Trim			
673F, 675F .....	28-29		

## INTRODUCTION

### Installation Notes

1. Any retrofit or other field modification to a fire rated opening can potentially impact the fire rating of the opening, and ASSA ABLOY ACCENTRA™ makes no representations or warranties concerning what such impact may be in any specific situation. When retrofitting any portion of an existing fire rated opening, or specifying and installing a new fire rated opening, please consult with a code specialist or local code official (Authority Having Jurisdiction) to ensure compliance with all applicable codes and ratings.
2. Refer to the templates and installation instructions for complete door preparation and installation requirements.
3. Machine screws are provided for steel reinforced doors, threaded-to-the-head AB Type screws are provided for wood door applications. In addition, sex nuts and bolts are provided for fire rated devices and are optional for non-rated devices. It is recommended that sex nuts and bolts be used for all exit device applications. This will improve the performance and extend the life of the product.

### How to Order Parts

1. In order to simplify the ordering procedure and maintain regulatory compliance, parts are only available as listed
2. To order parts, provide the appropriate quantity, part number, finish, hand (when required) and description as directed and illustrated below.

**For example, use the following configuration to order:**

**A) ten escutcheon assemblies in satin chrome**

**B) one AU lever assembly in bright brass**

	Quantity	Part Number	Finish	Hand	Description
A	10	60-7000-0416-FIN	626	—	Escutcheon Assemblies
B	1	60-7000-0095-FIN	605	—	Lever Assembly

For assistance, contact your authorized ASSA ABLOY ACCENTRA™ distributor, sales agency or visit our website at [www.accentra-assaabloy.com](http://www.accentra-assaabloy.com).

3. For "X" in part number, specify finish required:
  - For 629 or 630 substitute "X" with "7"
  - For all other finishes substitute "X" with "2"

### Finishes

ANSI/BHMA Code	Finish Description
600	Primed for Painting (Mullions)
605	Bright Brass, Clear Coated
606	Satin Brass, Clear Coated
611	Bright Bronze, Clear Coated
612	Satin Bronze, Clear Coated
613E	Dark Oxidized Satin Bronze - equivalent
619*	Satin Nickel Plated, Clear Coated
626*	Satin Chrome Plated
628	Satin, Clear Anodized (Mullions)

ANSI/BHMA Code	Finish Description
629	Bright Stainless Steel
630*	Satin Stainless Steel
689	Aluminum Painted
691	Light Bronze Painted
693	Black Painted
695	Dark Amber Coat (Mullions)
BSP	Black Suede Powder Coat
WSP	White Suede Powder Coat

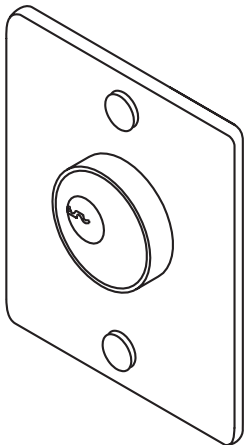
#### MicroShield®

\*Finish available with MicroShield antimicrobial coating, additional finishes by special application. Consult factory for availability.



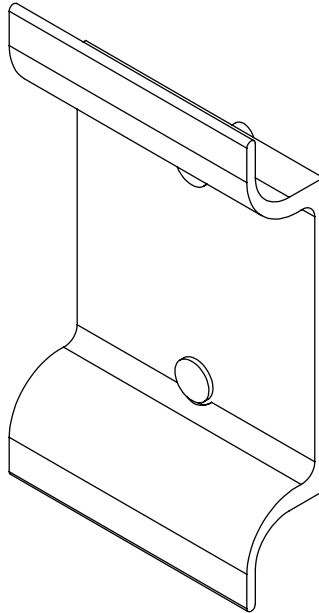
**210 SERIES PLATE TRIM**

Compatible with 1800, 2100, 6000 and 7000 Series Wide & Narrow Stile Exit Devices



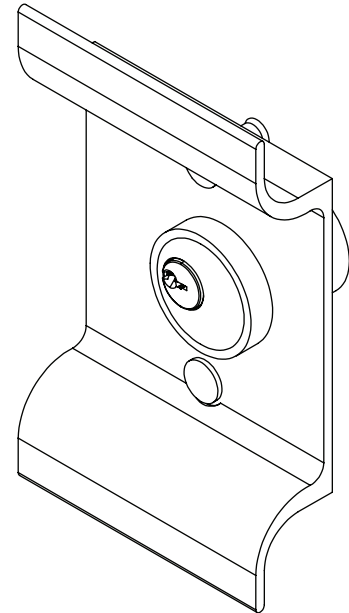
Nightlatch Access by Key  
60-2100-0090-FIN

**213F**



Dummy Trim Pull Plate  
60-2100-0020-FIN

**214F**



Night Latch Cylinder by Pull  
60-2100-0021-FIN

**217F**

**Cylinder Ring**  
Standard: 1765-.250  
Others: Supplied with  
cylinder

**Finger Pull**  
214F, Pull Only  
217F, Pull x Cylinder

**(2) #10-24 x 3/4" PTHMS**  
81-0015-0516-048

**Cylinder Housing**  
60-2000-6206-082

**(2) Cylinder  
Mounting Screws**  
Standard: 12-24 thread  
60-7000-1235-048  
Others: Supplied with  
cylinder

## 620F, 621F, 651F TRIM

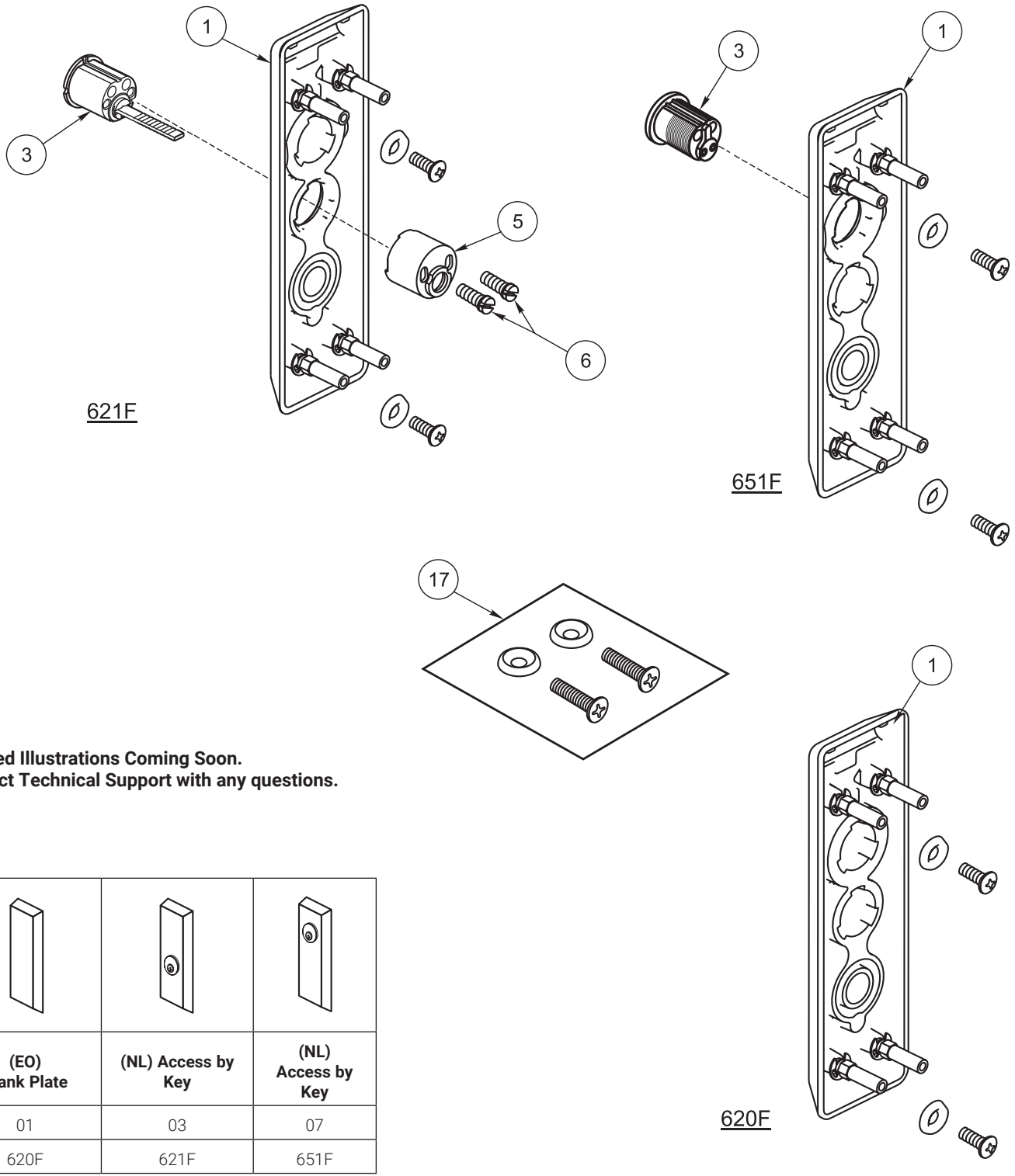
Compatible with 1500, 1800, 2100, 6000 and 7000 Series Wide Stile Exit Devices

Item	Part No.	Description
1	60-7000-0648-FIN 60-7000-0614-FIN 60-7030-0193-FIN	Escutcheon Assembly 620F 621F 651F
3	See Chart Page 50	Cylinder, Rim or Mortise*
5	60-2000-6206-082	Housing, Cylinder 621F
6	60-7000-1235-048	Screw, Cylinder 621F Mounting (2)
17	81-9500-1404-FIN 81-0013-0670-FIN 99-9999-X156-FIN	Screw Packet, Mtg. <b>Consists of the following:</b> Screw, 1/4-20 x 1" OPHMS (2) Washer, #14 Finish (2)

\* See page 50 for cylinder collar applications.

**620F, 621F, 651F TRIM**

Compatible with 1500, 1800, 2100, 6000 and 7000 Series Wide Stile Exit Devices



**Revised Illustrations Coming Soon.  
Contact Technical Support with any questions.**

<b>(EO) Blank Plate</b>	<b>(NL) Access by Key</b>	<b>(NL) Access by Key</b>
01	03	07
620F	621F	651F

**603F, 626F, 628F, 629F TRIM**

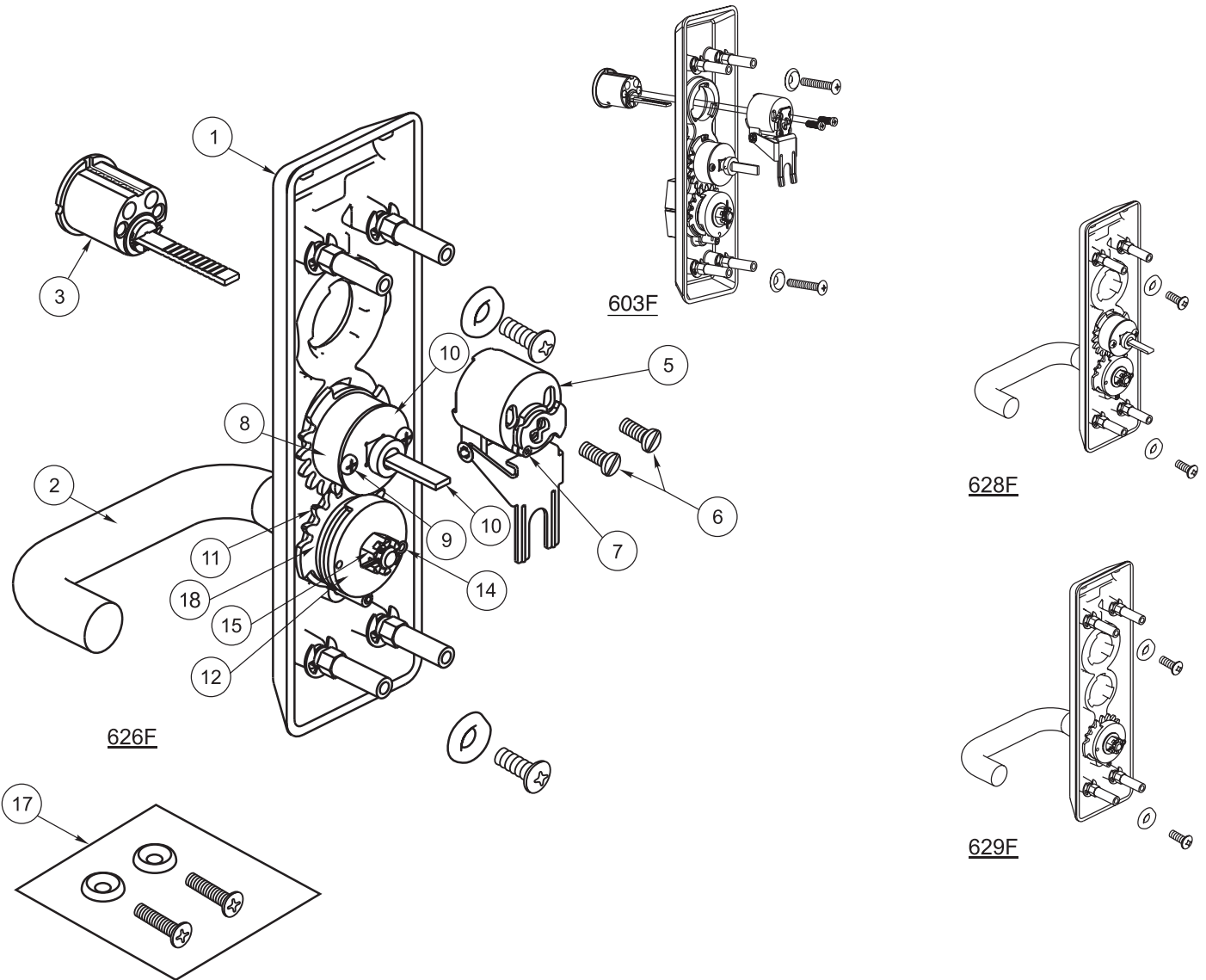
Compatible with 1500, 1800, 2100, 6000 and 7000 Series Wide Stile Exit Devices

Item	Part No.	Description
1	60-7000-0612-FIN 60-7000-0615-FIN	Escutcheon Assembly 603F, 626F 628F, 629F
2	See Chart pages 48-49	Lever/Thumbturn Assy. (603F)
3	See Chart page 50	Cylinder, Rim*
5	60-7000-0215-000	Housing & Cam Assy.
6	60-7000-1235-048	Screw, Cylinder Mounting (2)
7	81-0016-2200-999	Screw, NL
8	60-7000-9002-999	Driver Gear Assembly
9	81-4414-0308-036	Screw, Tailpiece Plate, #6 x 3/8", PHT- T-PH (2)
10	60-7000-0611-059 60-7000-0213-059	Tailpiece Assembly 1-3/4" Door Without Shim Kit 2" - 2-1/4" Door or Std. Door with Shim Kit
11	60-7000-1328-048	Gear, Drive 603F, 626F, 628F (1) 629F (2)
12	60-7000-6220-999	Universal Spring Hub, Lever
14	99-9958-0047-999	Cotter Pin
15	99-9999-3516-999	Nut, Spindle
16	60-7000-9001-999	Thimble Insert, Nylon (Levers) <b>Not Shown</b>
17	81-9500-1404-FIN 81-0013-0670-FIN 99-9999-X156-FIN	Screw Packet, Mtg. <b>Consists of the following:</b> Screw, 1/4-20 x 1" OPHMS (2) Washer, #14 Finish (2)
18	60-7000-1220-999	Spring, Grip Return Levers, Universal Spring
19	60-7000-1306-999	Spring <b>Not Shown</b> Under Tailpiece
20	60-7000-1365-999	Hex Nut / Bushing for Spring <b>Not Shown</b>
21	60-7000-1236-059	Washer Under Tailpiece (2) <b>Not Shown</b>

\*See page 50 for cylinder collar applications.

**603F, 626F, 628F, 629F TRIM**

Compatible with 1500, 1800, 2100, 6000 and 7000 Series Wide Stile Exit Devices



**Revised Illustrations Coming Soon.  
Contact Technical Support with any questions.**

<b>Cylinder Controls Thumbturn</b>	<b>Cylinder Controls Lever</b>	<b>Access by Key and Lever</b>	<b>(Passage) Active Lever or (DT) Free Wheeling Lever</b>	<b>(DT) Rigid Lever</b>
11/12	08	09	—	02
603F	626F	626F	628F	629F



## 627F TRIM

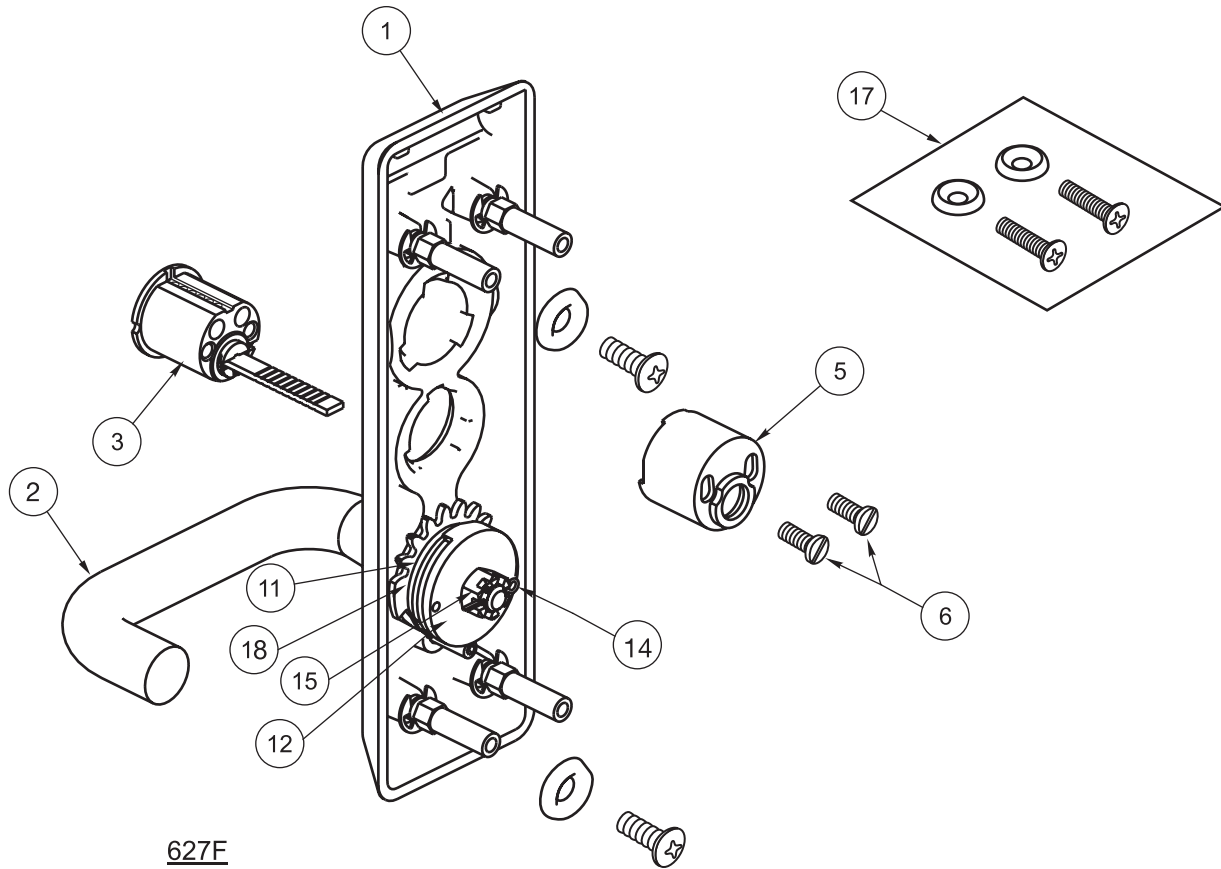
Compatible with 1500, 1800, 2100, 6000 and 7000 Series Wide Stile Exit Devices

Item	Part No.	Description
1	60-7000-0705-FIN	Escutcheon Assy. 627F
2	See Chart pages 48-49	Lever
3	See Chart page 50	Cylinder, Rim*
5	60-2000-6206-082	Housing, Cylinder
6	60-7000-1235-048	Screw, Cylinder Mounting (2)
11	60-7000-1328-048	Gear, Drive
12	60-7000-6220-999	Universal Spring Hub, Lever
14	99-9958-0047-999	Cotter Pin
15	99-9999-3516-999	Nut, Spindle
16	60-7000-9001-999	Thimble Insert, Nylon (Levers) <b>Not Shown</b>
17	81-9500-1404-FIN 81-0013-0670-FIN 99-9999-X156-FIN	Screw Packet, Mtg. <b>Consists of the following:</b> Screw, 1/4-20 x 1" OPHMS (2) Washer, #14 Finish (2)
18	60-7000-1220-999	Spring, Grip Return Levers, Universal Spring

\*See page 50 for cylinder collar applications.

**627F TRIM**

Compatible with 1500, 1800, 2100, 6000 and 7000 Series Wide Stile Exit Devices



**627F**

**Revised Illustrations Coming Soon.  
Contact Technical Support with any questions.**

<b>Lever Access by Key</b>
03
627F

**690F, 691F TRIM**

Compatible with 6000 and 7000 Series Wide Stile Exit Devices

Information Coming Soon.  
Contact Technical Product Support at  
[techsupport.accentra@assaabloy.com](mailto:techsupport.accentra@assaabloy.com) for details.

**690F, 691F TRIM**

Compatible with 6000 and 7000 Series Wide Stile Exit Devices

Information Coming Soon.  
Contact Technical Product Support at  
[techsupport.accentra@assaabloy.com](mailto:techsupport.accentra@assaabloy.com) for details.

## 656F, 658F TRIM

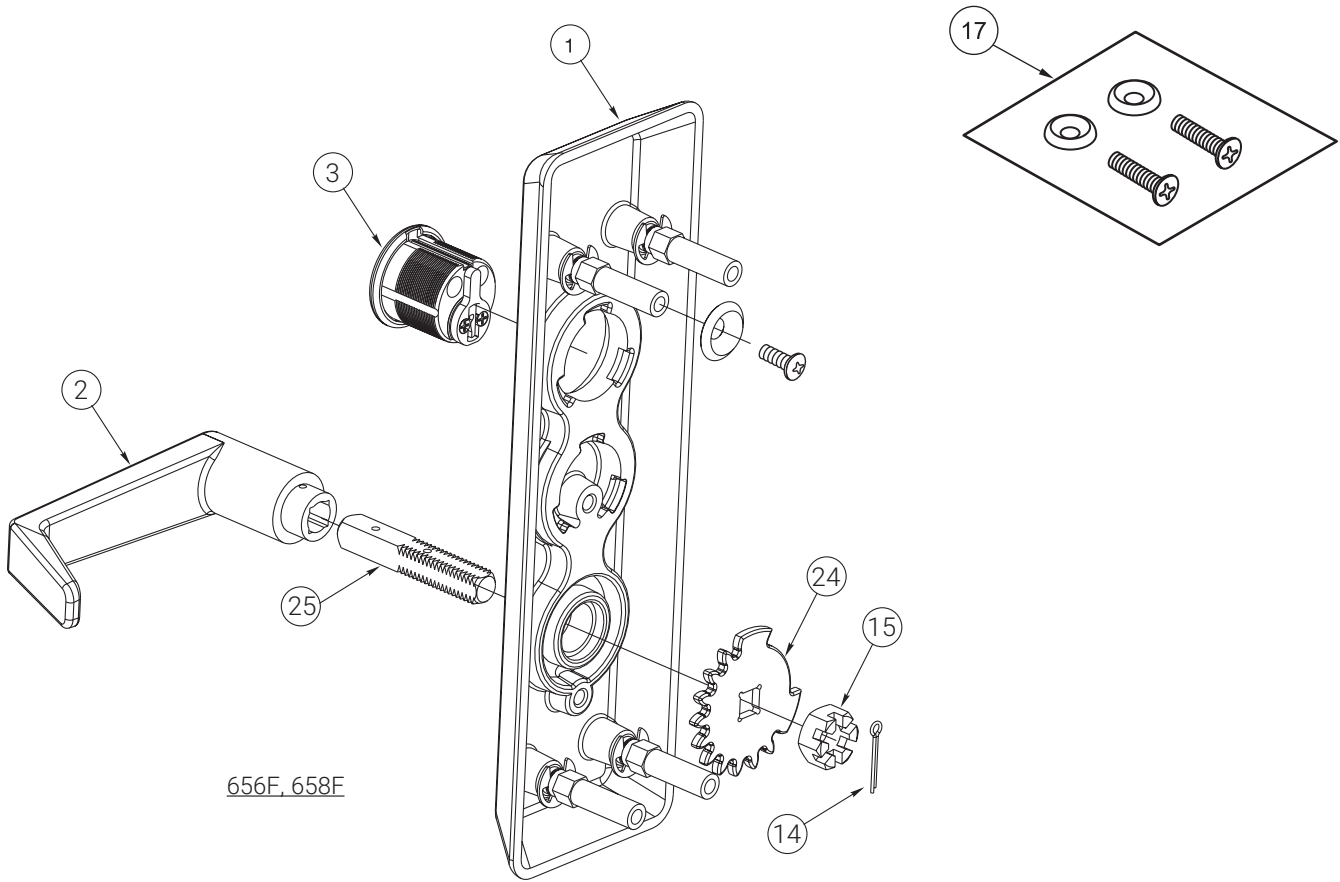
Compatible with 6000 and 7000 Series Wide Stile Exit Devices

Item	Part No.	Description
1	60-7000-0703-FIN 60-7000-0702-FIN	Escutcheon Assembly Cylinder x Lever (656F) Blank x Lever (658F)
2	See Chart pages 48-49	Lever
3	See Chart Page 50	Cylinder, Mortise*
14	99-9958-0047-999	Cotter Pin
15	99-9999-3518-999	Nut, Spindle
16	60-7000-9001-999	Thimble Insert, Nylon (Levers) <b>Not Shown</b>
17	81-9500-1404-FIN 81-0013-0670-FIN 99-9999-X156-FIN	Screw Packet, Mtg. <b>Consists of the following:</b> Screw, 1/4-20 x 1" OPHMS (2) Washer, #14 Finish (2)
24	60-7000-1328-048	Gear
25	60-7030-1045-048 60-7030-1026-048	Spindle 1-3/4" - 2-1/4" 2-1/4" - 3"

\* See page 50 for cylinder collar applications

**656F, 658F TRIM**

Compatible with 6000 and 7000 Series Wide Stile Exit Devices



**Revised Illustrations Coming Soon.  
Contact Technical Support with any questions.**

<b>Cylinder Controls Lever</b>	<b>(DT) Rigid Lever</b>	<b>(Passage) Active Lever or (DT) Free Wheeling Lever</b>
08/09	02	—
656F	658F	658F

**356F, 358F TRIM**

Compatible with 1500 Series Wide Stile Exit Devices

Information Coming Soon.  
Contact Technical Product Support at  
[techsupport.accentra@assaabloy.com](mailto:techsupport.accentra@assaabloy.com) for details.

**356F, 358F TRIM**

Compatible with 1500 Series Wide Stile Exit Devices

Information Coming Soon.  
Contact Technical Product Support at  
[techsupport.accentra@assaabloy.com](mailto:techsupport.accentra@assaabloy.com) for details.

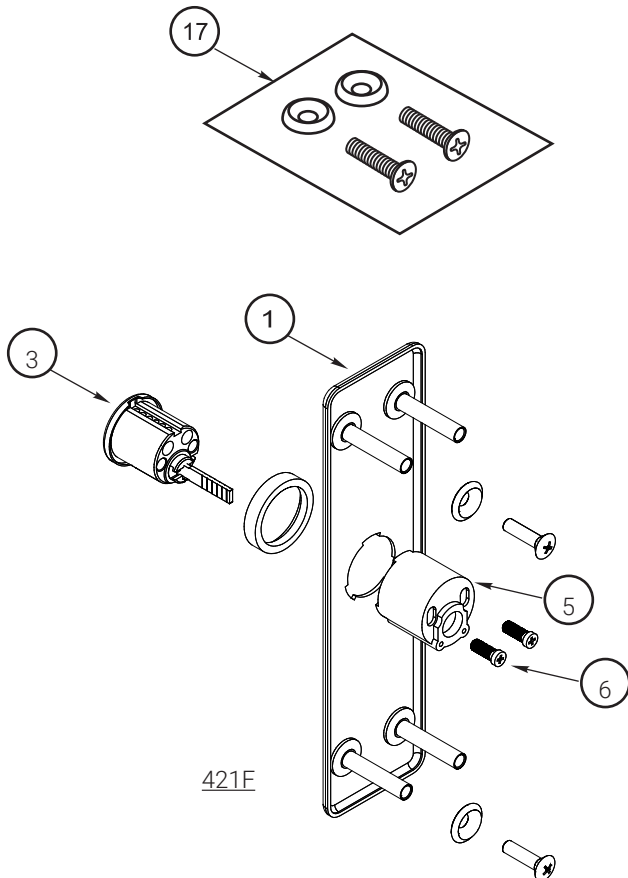
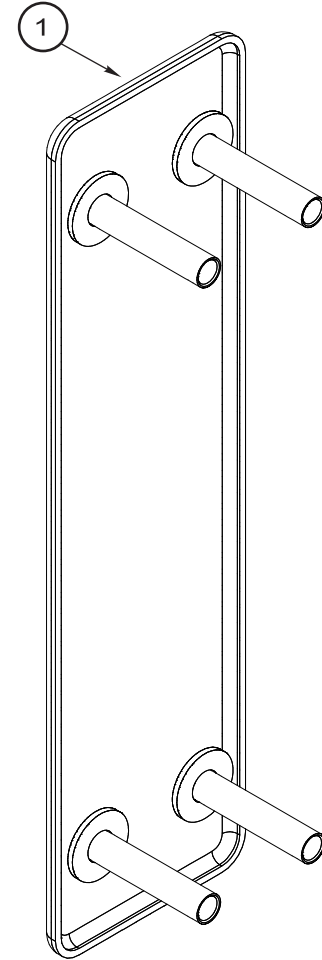


**420F, 421F TRIM**

Compatible with 1500, 1800, 2100, 6000 and 7000 Series Wide Stile Exit Devices

Item	Part No.	Description
1	60-7000-0141-FIN 60-7000-0145-FIN	Escutcheon Assembly 420F 421F
3	See Chart page 50	Cylinder, Rim*
5	60-2000-6206-082	Housing Cylinder
6	60-7000-1235-048	Screw, Cylinder Mounting (2)
17	81-9500-1404-FIN 81-0013-0670-FIN 99-9999-X156-FIN	Screw Packet, Mtg. <b>Consists of the following:</b> Screw, 1/4-20 x 1" OPHMS (2) Washer, #14 Finish (2)

\*See page 50 for cylinder collar applications.



		
	(EO) Blank Plate	Access by Key
<b>ANSI #</b>	01	03
<b>Trim</b>	420F	421F

## 426F, 428F, 429F TRIM

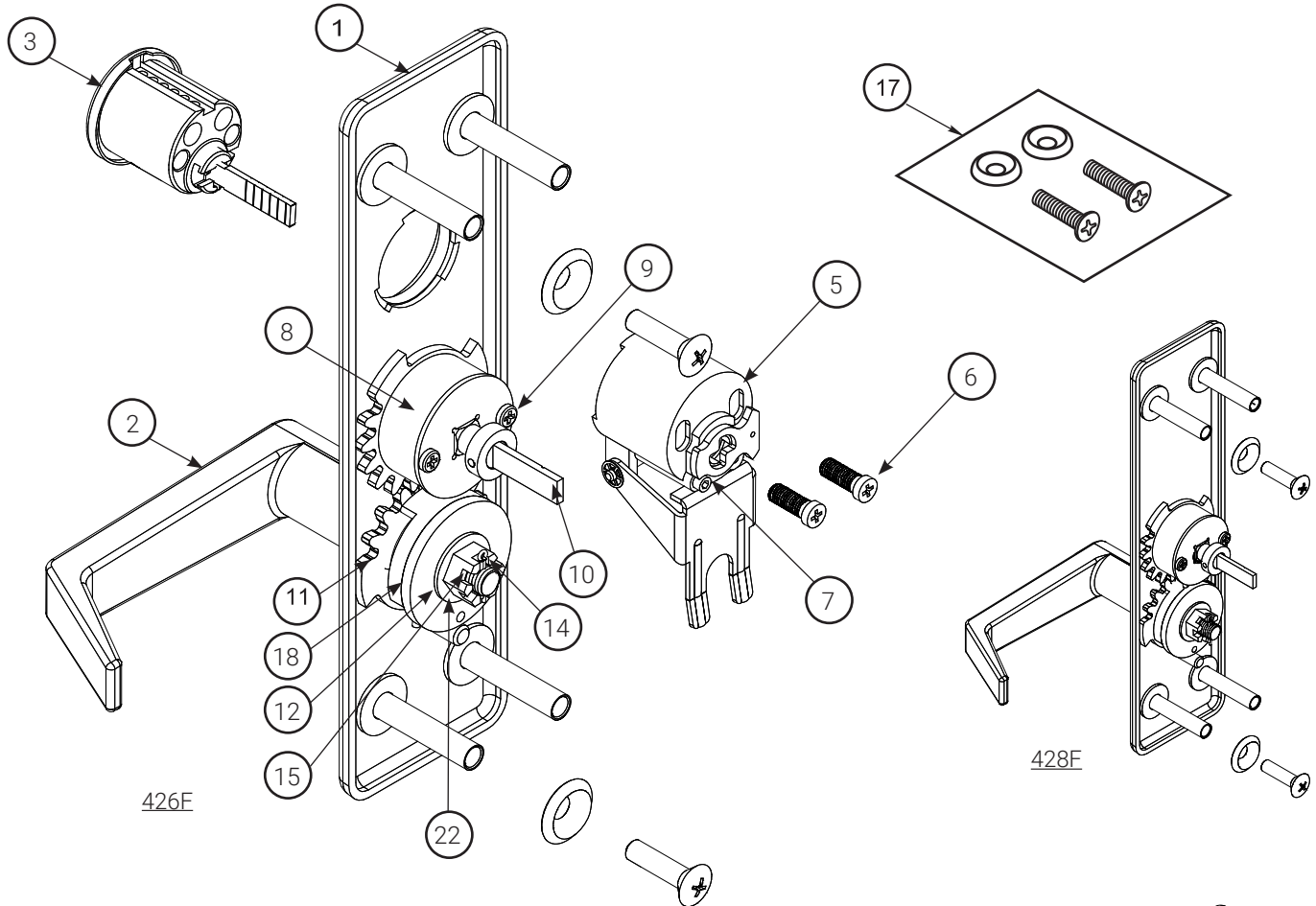
Compatible with 1500, 1800, 2100, 6000 and 7000 Series Wide Stile Exit Devices

Item	Part No.	Description
1	60-7000-0416-FIN 60-7000-0417-FIN	Escutcheon Assembly 426F 428F, 429F
2	See Charts pages 48-49	Lever Assy.
3	See Chart page 50	Cylinder, Rim*
5	60-7000-0215-000	Housing, Cylinder
6	60-7000-1235-048	Screw, Cylinder Mounting (2)
7	81-0016-2200-999	Screw, NL
8	60-7000-0046-000	Driver Gear Assembly
9	81-4414-0308-036	Screw, Tailpiece Plate, #6 x 3/8", PHT-T-PH (2)
10	60-7000-0216-059 60-7000-0217-059	Tailpiece Assembly 1-3/4" Door Without Shim Kit 2" - 2-1/4" Door or Std. Door with Shim Kit
11	60-7000-1328-048	Gear, Drive 426F, 428F (1) 429F (2)
12	60-7000-6220-999	Universal Spring Hub, Lever
14	99-9958-0047-999	Cotter Pin
15	99-9999-3516-999	Nut, Spindle
16	60-7000-9001-999	Thimble Insert, Nylon <b>(Not Shown)</b>
17	81-9500-1404-FIN 81-0013-0670-FIN 99-9999-X156-FIN	Screw Packet, Mtg. <b>Consists of the following:</b> Screw, 1/4-20 x 1" OPHMS (2) Washer, #14 Finish (2)
18	60-7000-1220-999	Spring, Grip Return Levers, Universal Spring
19	60-7000-1306-999	Spring Under Tailpiece <b>(Not Shown)</b>
21	60-7000-1236-059	Washer Under Tailpiece (2) <b>(Not Shown)</b>
22	60-7000-1237-999	Washer Gear
23	60-7000-1305-059	Bushing <b>(Not Shown)</b>
24	60-7000-X055-FIN	Front Bearing <b>(Not Shown)</b>


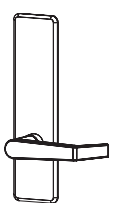
\*See page 50 for cylinder collar applications.

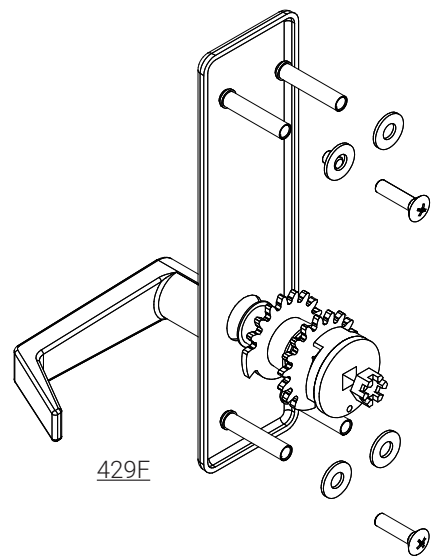
426F, 428F, 429F TRIM

Compatible with 1500, 1800, 2100, 6000 and 7000 Series Wide Stile Exit Devices



Revised Illustrations Coming Soon.  
Contact Technical Support with any questions.

					
	Access by Key and Lever	Cylinder Controls Lever	Active Lever (Passage)	Free Wheeling Lever (DT)	(DT) Rigid Lever
ANSI #	09	08	14	02	02
Trim	426F		428F	428F	429F



## 427F TRIM

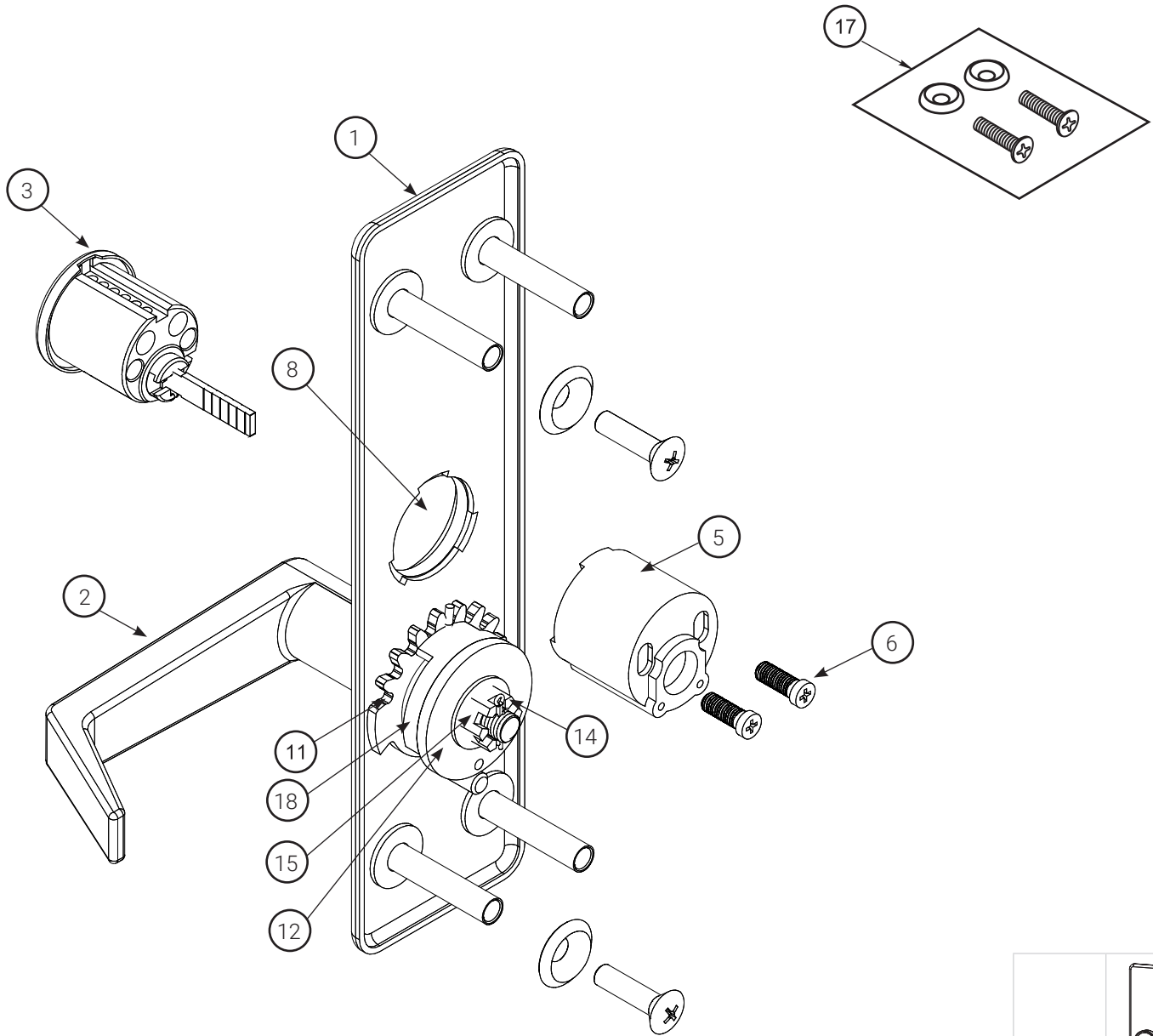
Compatible with 1500, 1800, 2100, 6000 and 7000 Series Wide Stile Exit Devices


Item	Part No.	Description
1	60-7000-0526-FIN	Escutcheon Assembly 427F
2	See Charts pages 48-49	Lever Assy.
3	See Chart page 50	Cylinder, Rim*
5	60-2000-6206-048	Housing cylinder
6	60-7000-1235-048	Screw, Cylinder Mounting (2)
11	60-7000-1328-048	Gear, Drive
12	60-7000-6220-999	Universal Spring Hub, Lever
14	99-9958-0047-999	Cotter Pin
15	99-9999-3516-999	Nut, Spindle
16	60-7000-9001-999	Thimble Insert, Nylon (Levers) <b>(Not Shown)</b>
17	81-9500-1404-FIN 81-0013-0670-FIN 99-9999-X156-FIN	Screw Packet, Mtg. <b>Consists of the following:</b> Screw, 1/4-20 x 1" OPHMS (2) Washer, #14 Finish (2)
18	60-7000-1220-999	Spring, Grip Return Levers, Universal Spring
19	60-7000-X055-FIN	Front Bearing
20	60-7000-1236-059	Washer Under Tailpiece (2) <b>(Not Shown)</b>

\*See page 50 for cylinder collar applications.

**427F TRIM**

Compatible with 1500, 1800, 2100, 6000 and 7000 Series Wide Stile Exit Devices



	
	<b>Lever Access by Key</b>
<b>ANSI #</b>	03
<b>Trim</b>	427F

**630F, 631F, 661F TRIM**

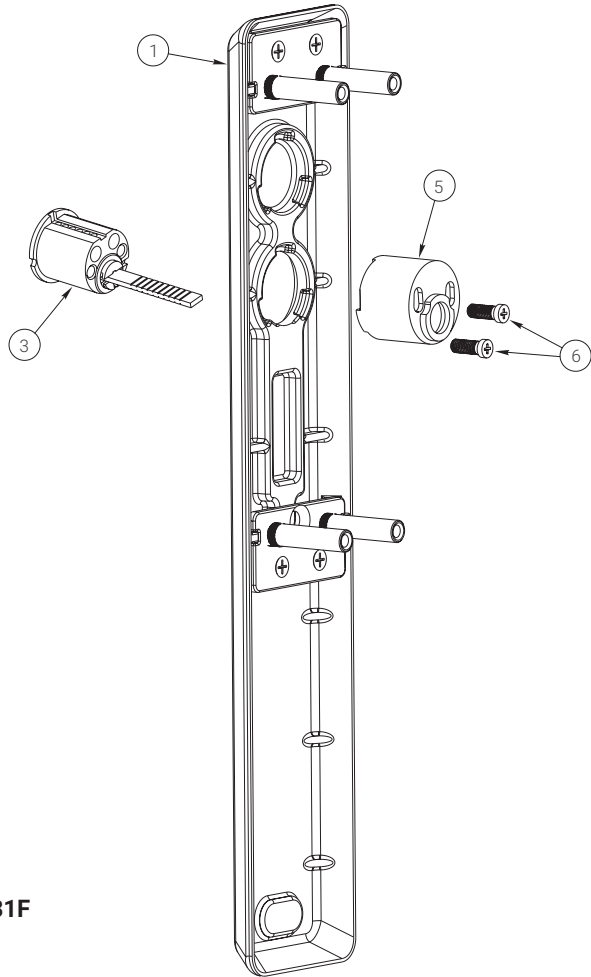
Compatible with 1500, 1800, 2100, 6000 and 7000 Series Wide Stile Exit Devices

Item	Part No.	Description
1	60-7000-0710-FIN 60-7000-0712-FIN 60-7000-0716-FIN	Escutcheon Assembly 630F 631F 661F
3	See Chart Page 50	Cylinder, Mortise or Rim*
5	60-2000-6206-082	Housing, Cylinder, Rim
6	60-7000-1235-048	Screw, Cylinder Mtg. (2)
17	81-9500-1415-FIN 81-0013-0670-FIN 99-9999-X156-FIN	Screw Packet, Mtg. <b>Consists of the following:</b> Screw, 1/4-20 x 1" OPHMS (3) Washer, #14 Finish (3)
38	60-0010-X639-FIN	Pull, Straight

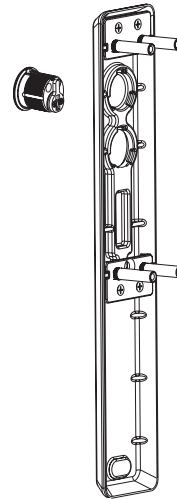
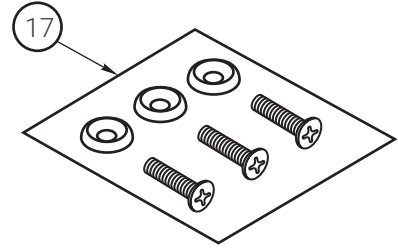
\*See page 50 for cylinder collar applications.

**630F, 631F, 661F TRIM**




Compatible with 1500, 1800, 2100, 6000 and 7000 Series Wide Stile Exit Devices

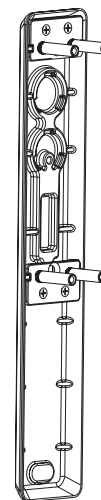


**631F**



**661F**

		
<b>(BT) Blank Plate</b>	<b>(NL) Access by Key</b>	<b>(NL) Access by Key</b>
01	03	03
630F	631F	661F



**630F**

**632F, 634F, 662F TRIM**

Compatible with 1500, 1800, 2100, 6000 and 7000 Series Wide Stile Exit Devices

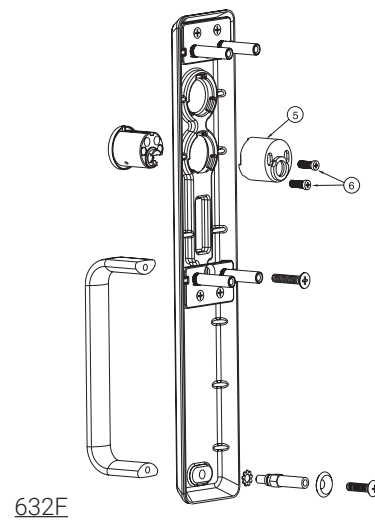
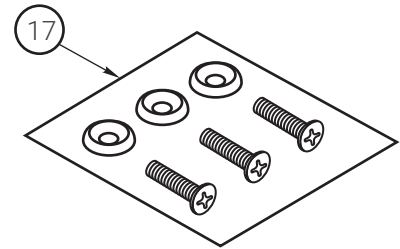
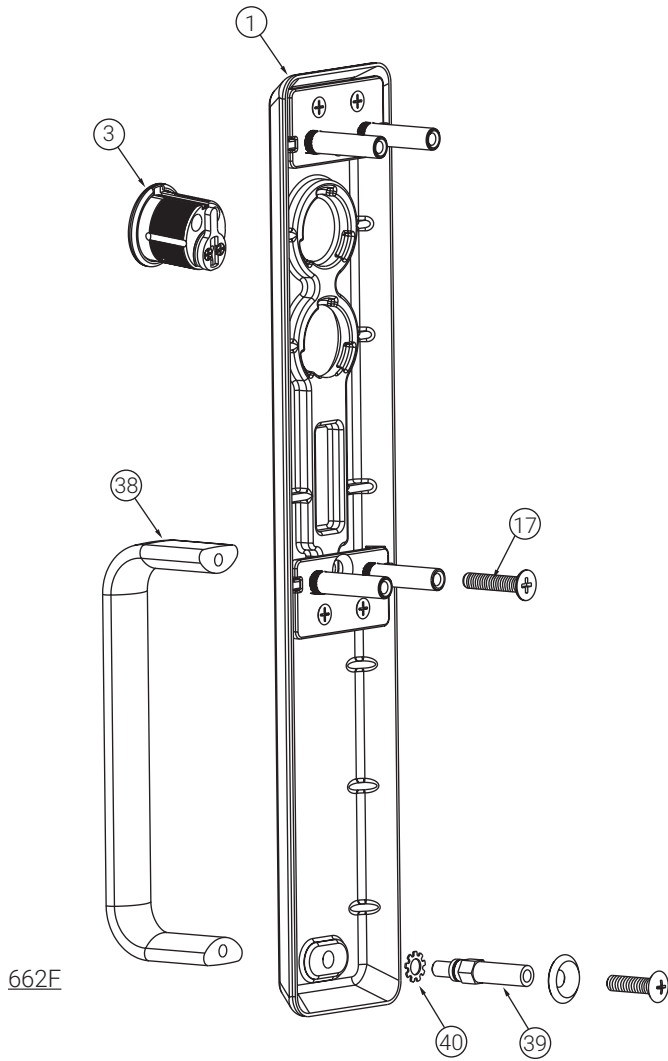
Item	Part No.	Description
1	60-7000-0713-FIN 60-7000-0711-FIN 60-7000-0717-FIN	Escutcheon Assembly 632F 634F 662F
3	See Chart Page 50	Cylinder, Mortise or Rim*
5	60-2000-6206-082	Housing, Cylinder
6	60-7000-1235-048	Screw, Cylinder Mtg. (2)
17	81-9500-1415-FIN 81-0013-0670-FIN 99-9999-X156-FIN	Screw Packet, Mtg. <b>Consists of the following:</b> 1/4-20 x1" (3) OHPMS Washer #14 Finish (3)
38	60-0010-X639-FIN	Pull, Straight
39	60-7000-1039-048	Screw Post
40	99-9999-7154-036	Lock Washer, Screw Post

\*See page 50 for cylinder collar applications.

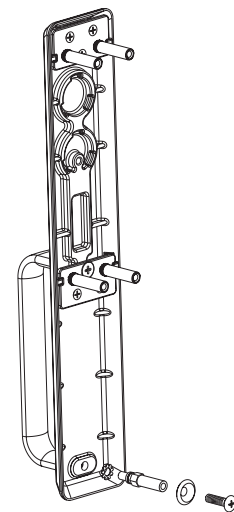


**632F, 634F, 662F TRIM**

Compatible with 1500, 1800, 2100, 6000 and 7000 Series Wide Stile Exit Devices



632F



634F

<b>(NL) Cylinder by Pull</b>	<b>(DT) Full Plate</b>	<b>(NL) Cylinder by Pull</b>
03	02	03
632F	634F	662F

## 633F, 635F TRIM

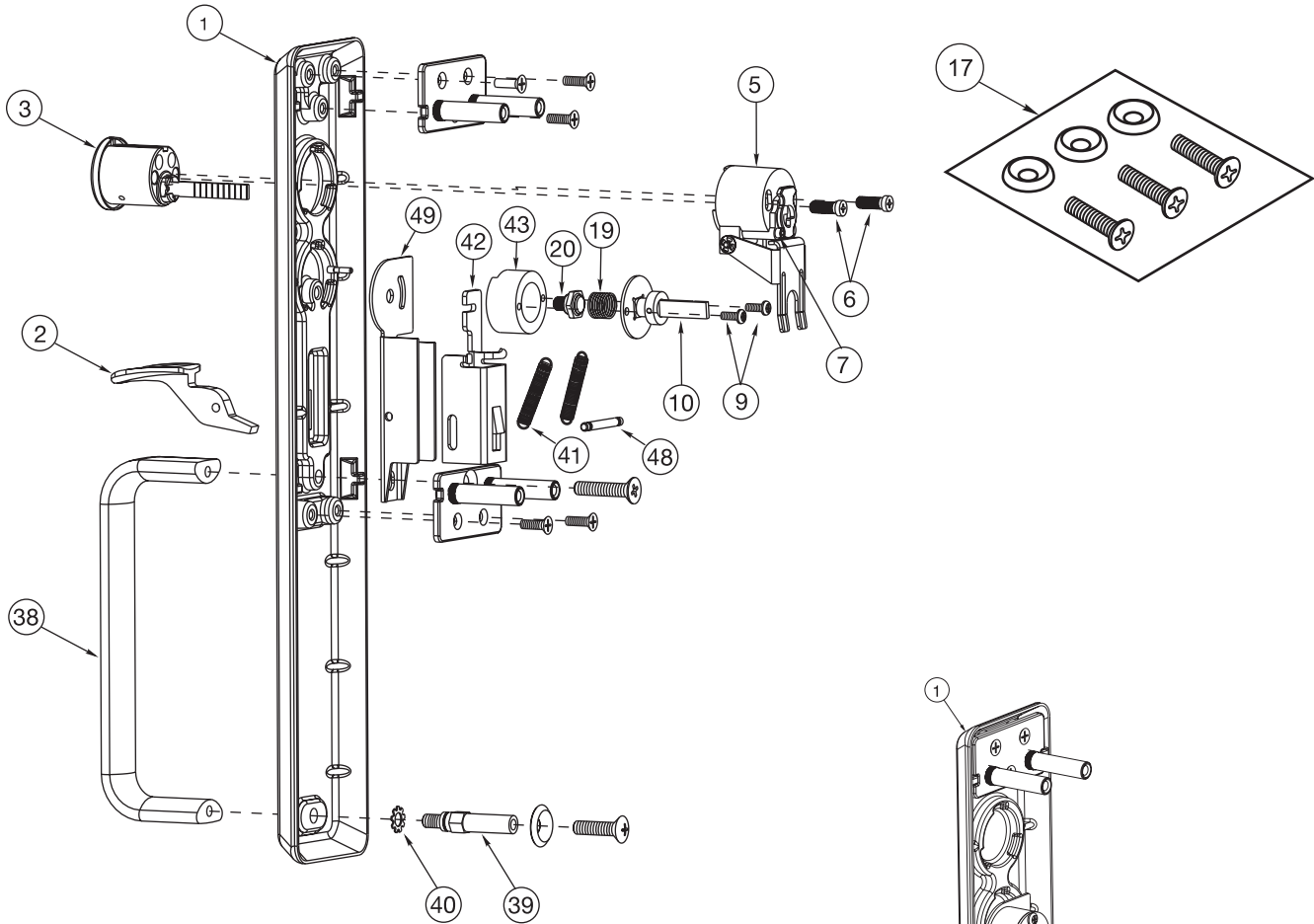
Compatible with 1500, 1800, 2100, 6000 and 7000 Series Wide Stile Exit Devices

Item	Part No.	Description
1	60-7000-0715-FIN 60-7000-0714-FIN	Escutcheon Assembly 633F 635F
2	60-7000-X501-FIN	Thumbpiece
3	See Chart Page 50	Cylinder, Rim* (633F)
5	60-7000-0215-000	Housing & Cam Assembly
6	60-7000-1235-048	Screw, Cylinder Mounting (2)
7	81-0016-2200-999	Screw, NL Function
9	81-4414-0308-036	Screw, Tailpiece Plate, #6 x 3/8 PHT-T-PH (2)
10	60-7000-0611-059	Tailpiece Assembly
17	81-9500-1415-FIN 81-0013-0670-FIN 99-9999-X156-FIN	Screw Packet, Mtg. <b>Consists of the following:</b> Screw, 1/4-20 x 1" OPHMS (3) Washer, #14 Finish (3)
19	60-7000-1306-999	Spring Under Tailpiece
20	60-7000-1305-999	Hex Nut/Bushing for Spring
38	60-0010-X639-FIN	Pull, Straight
39	60-7000-1039-048	Screw Post
40	99-9999-7154-036	Lock Washer, Screw Post
41	99-9999-5697-999	Spring, Thumbpiece (2)
42	60-7000-1190-059	Slider, Thumbpiece
43	60-7000-0214-000	Housing, Tailpiece Assy.
48	60-7000-1045-059	Pin, Thumbpiece
49	60-7000-1189-059	Thumbpiece Support Bracket

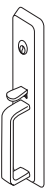
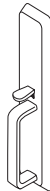

\* See page 50 for cylinder collar applications.

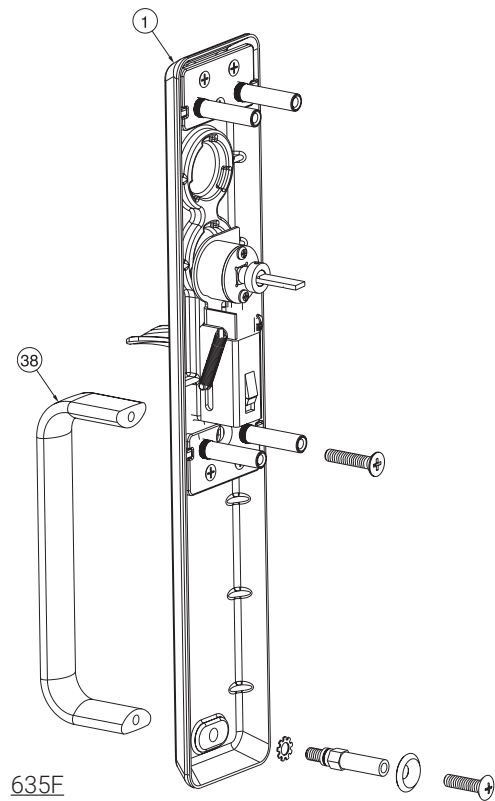
**633F, 635F TRIM**

Compatible with 1500, 1800, 2100, 6000 and 7000 Series Wide Stile Exit Devices



633F

		
<b>Cylinder Controls T-Piece</b>	<b>Access by Key and T-Piece</b>	<b>(Passage) Active T-Piece</b>
05	06	—
633F	633F	635F



635F

**673F, 675F TRIM**

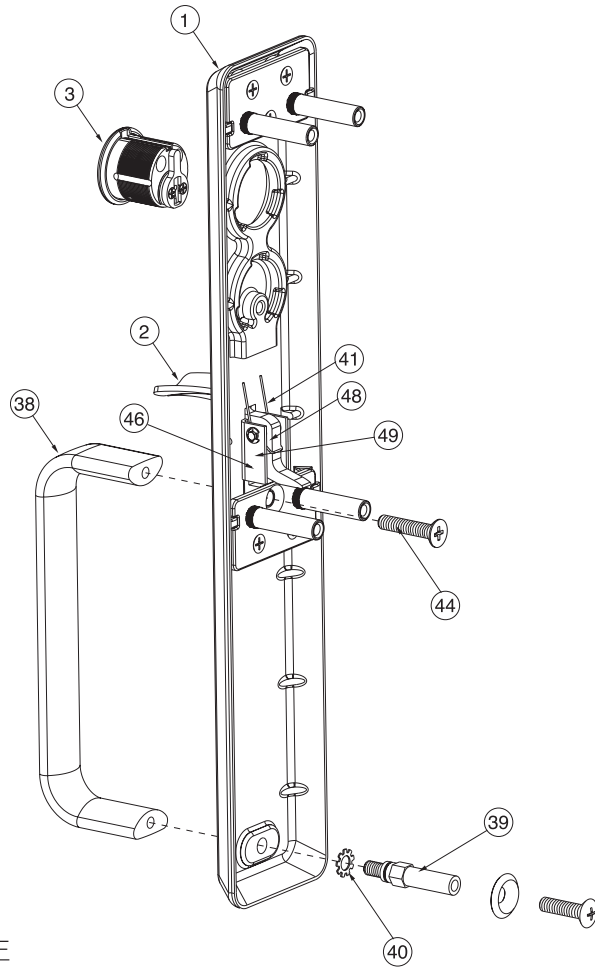
Compatible with 1500, 1800, 2100, 6000 and 7000 Series Wide Stile Exit Devices

Item	Part No.	Description
1	60-7000-0718-FIN 60-7000-0717-FIN	Escutcheon Assembly 673F 675F
2	60-1530-X114-FIN	Thumbpiece
3	See Chart Page 50	Cylinder, Mortise* 673F
17	81-9500-1415-FIN 81-0013-0670-FIN 99-9999-X156-FIN	Screw Packet, Mtg. <b>Consists of the following:</b> Screw, 1/4-20 x 1" OPHMS (3) Washer, #14 Finish (3)
38	60-0010-X639-FIN	Pull, Straight
39	60-7000-1039-048	Screw Post
40	99-9999-7154-036	Lock Washer, Screw Post
41	60-1530-1133-999	Spring, Thumbpiece
44	81-0011-0674-036	Screw, 1/4-20 x 1-1/4 FHPMS
45	60-7000-1460-048	Thumbpiece, Trim Spacer <b>(Not Shown)</b>
46	60-1500-1806-059	Bracket, Thumbpiece
48	60-1500-7244-000	Pin, Thumbpiece
49	99-9999-4517-999	Tru-Arc Ring (2)

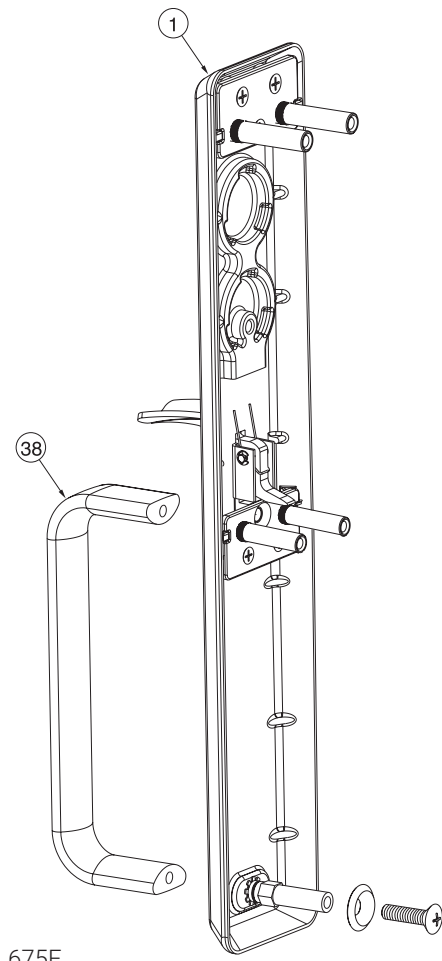
\*See page 50 for cylinder collar applications.

**673F, 675F TRIM**

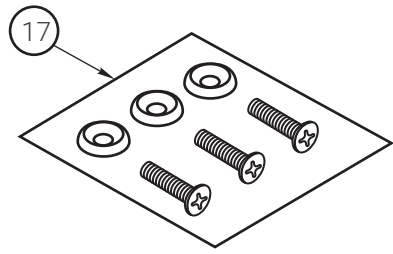
Compatible with 1500, 1800, 2100, 6000 and 7000 Series Wide Stile Exit Devices

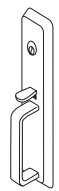
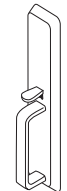


673F



675F



	
<b>Cylinder Controls Lever</b>	<b>(Passage) Active T-Piece</b>
05	—
673F	675F

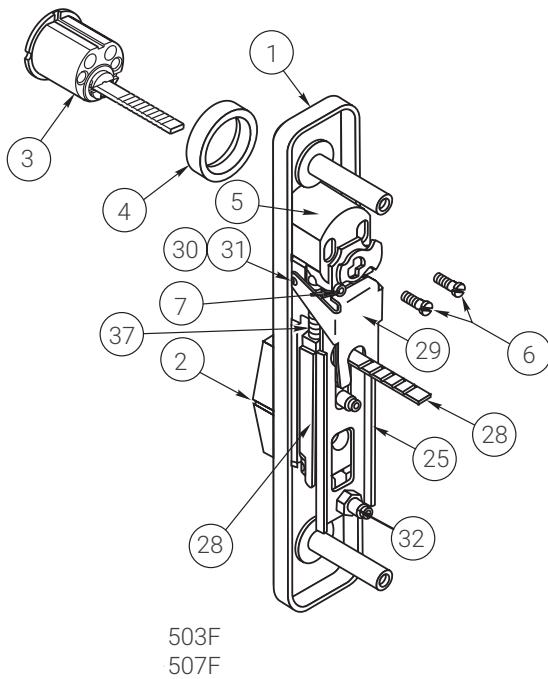
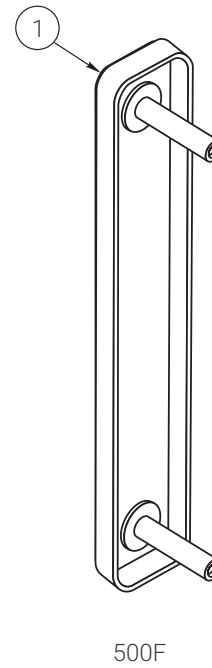
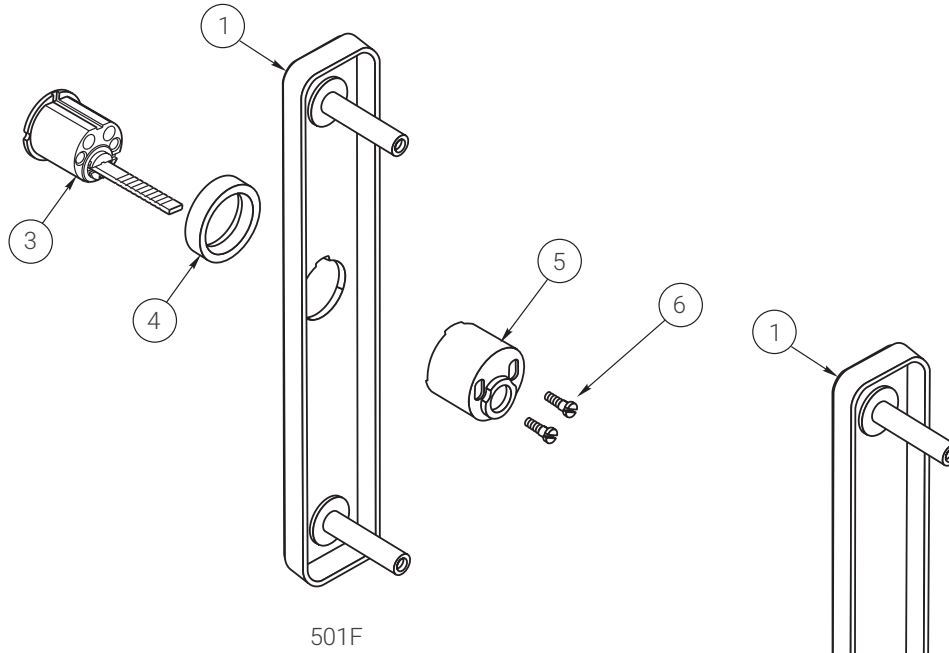
## 500F, 501F, 503F, 507F TRIM





Compatible with 6000 and 7000 Series Narrow Stile Exit Devices

Item	Part No.	Description
1	60-7200-0151-FIN 60-7200-0123-FIN 60-7200-0161-FIN 60-7200-0160-FIN	Escutcheon Assembly 500F 501F 503F 507F
2	60-7200-0156-FIN	Thumbturn / Spindle Assembly
3	See Chart Page 50	Cylinder, Rim
4	See Chart Page 50	Collar, Cylinder
5	60-7200-0159-000 60-7200-6145-082 60-2000-6206-082	Housing & Cam Assembly 503F 507F 501F, Housing, Cylinder
6	60-7000-1235-048	Screw, Cylinder Mounting (2)
7	81-0016-2200-999	Screw, NL Function
16	60-7000-9001-999	Thimble Insert, Nylon <b>Not Shown</b>
19	60-7000-1306-999	Spring Under Tailpiece for 503F, 507F <b>Not Shown</b>
25	60-7200-1120-059	Plate, Cover
28	60-7200-0360-000	Rack & Tailpiece Assembly
29	60-7200-1147-059	Lever, Clutch (503F)
30	60-7200-1083-059	Pin, Clutch Lever (503F)
31	99-9999-4617-999	Retainer, Clutch Lever Pin (2) (503F)
32	99-9999-3508-036	Nut, Cover Plate (2)
33	60-7200-1142-000	Hub Not Shown
34	99-9999-0246-999	Bushing, Nylon <b>Not Shown</b>
35	60-7200-1104-059	Washer, Grip <b>Not Shown</b>
36	81-0611-0410-036	Screw, 8-32 x 7/16 Spindle <b>Not Shown</b>
37	60-7200-1133-000	Spring, Rack (2)

**500F, 501F, 503F, 507F TRIM**

Compatible with 6000 and 7000 Series Narrow Stile Exit Devices



			
<b>(EO) Blank Plate</b>	<b>(NL) Access by Key</b>	<b>Cylinder Controls Thumbturn</b>	<b>Passage Active Turn</b>
—	03	11/12	—
500F	501F	503F	507F

## 506F, 508F, 509F TRIM

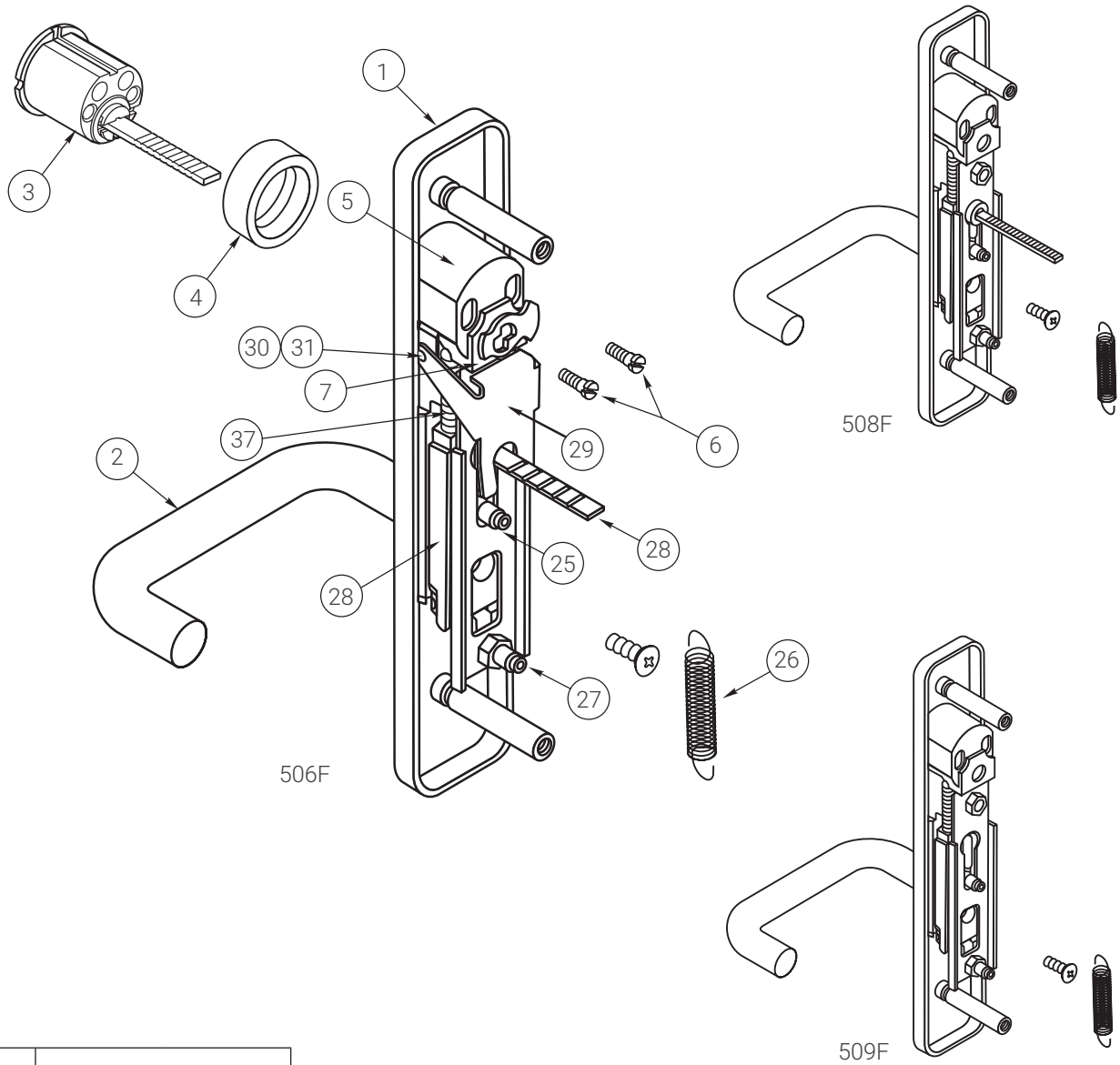
Compatible with 6000 and 7000 Series Narrow Stile Exit Devices

Item	Part No.	Description
1	60-7200-0161-FIN 60-7200-0160-FIN	Escutcheon Assembly 506F 508F, 509F
2	See Chart pages 48-49	Lever
3	See Chart Page 50	Rim Cylinder
4	See Chart Page 50	Cylinder Collar
5	60-7200-0159-000 60-7200-6145-082	Housing & Cam Assembly 506F-Housing,Cyl. 508F, 509F
6	60-7000-1235-048	Screw, Cylinder Mounting (2)
7	81-0016-2200-999	Screw, NL Function
16	60-7000-9001-999	Thimble Insert, Nylon <b>Not Shown</b>
19	60-7000-1306-999	Spring Under Tailpiece <b>Not Shown</b>
25	60-7200-1120-059	Plate, Cover
26	99-9999-5702-999	Spring, Extension
27	60-7200-1125-059	Nut, Spring Post
28	60-7200-0164-000	Rack & Tailpiece Assy.
29	60-7200-1147-059	Lever, Clutch
30	60-7200-1083-059	Pin, Clutch Lever
31	99-9999-4617-999	Retainer, Clutch Lever Pin (2)
32	99-9999-3508-036	Nut, Cover Plate (2) <b>Not Shown</b>
33	60-7200-1142-000	Hub Not Shown
34	99-9999-0246-999	Bushing, Nylon <b>Not Shown</b>
35	60-7200-1104-059	Washer, Grip <b>Not Shown</b>
36	81-0611-0410-036	Screw, 8-32 x 7/16, Spindle <b>Not Shown</b>
37	60-7200-1134-000	Spring, Rack (2)



**506F, 508F, 509F TRIM**

Compatible with 6000 and 7000 Series Narrow Stile Exit Devices



<b>Cylinder Controls Lever</b>	<b>Passage Trim Lever</b>	<b>Rigid Dummy Lever</b>
08	—	02
506F	508F	509F

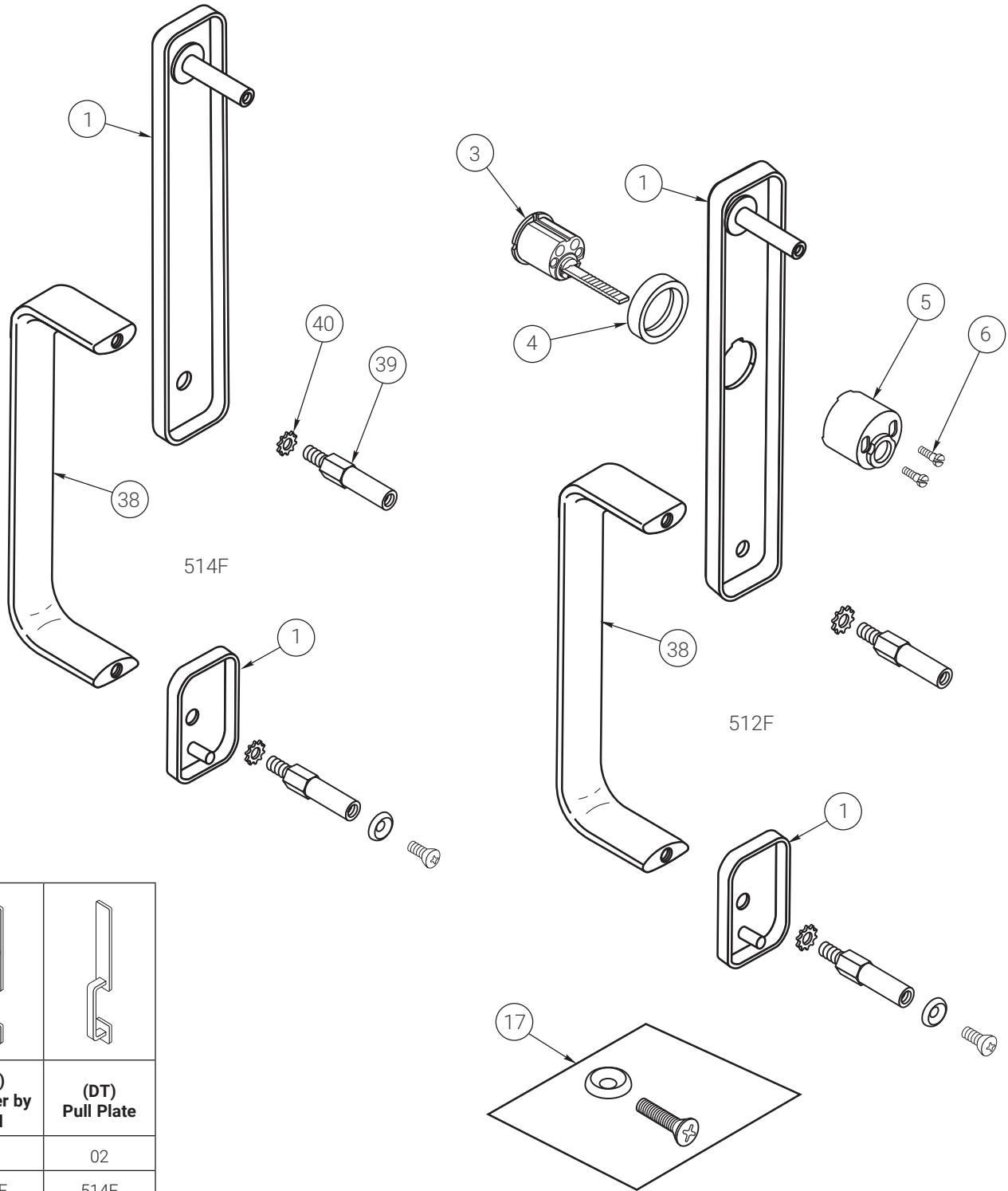
**512F, 514F TRIM**

Compatible with 6000 and 7000 Series Narrow Stile Exit Devices

Item	Part No.	Description
1	60-7200-0165-FIN 60-7200-0172-FIN 60-7200-0120-FIN	Escutcheon Assembly 512F Top 514F Top Bottom
3	See Chart Page 50	Cylinder, Rim
4	See Chart Page 50	Collar, Cylinder
5	60-2000-6206-082	Housing, Cylinder
6	60-7000-1235-048	Screw, Cylinder Mounting (2)
17	81-9500-1476-FIN 81-0013-0670-FIN 99-9999-X156-FIN	Screw Packet, Mtg. <b>Consists of the following:</b> Screw, 1/4-20 x 1" OPHMS (1) Washer, #14 Finish (1)
38	60-7200-X136-FIN	Pull, Offset
39	60-7000-1039-048	Screw Post (2)
40	99-9999-7154-036	Lockwasher, Screw Post (2)

**512F, 514F TRIM**

Compatible with 6000 and 7000 Series Narrow Stile Exit Devices



<b>(NL) Cylinder by Pull</b>	<b>(DT) Pull Plate</b>
03	02
512F	514F

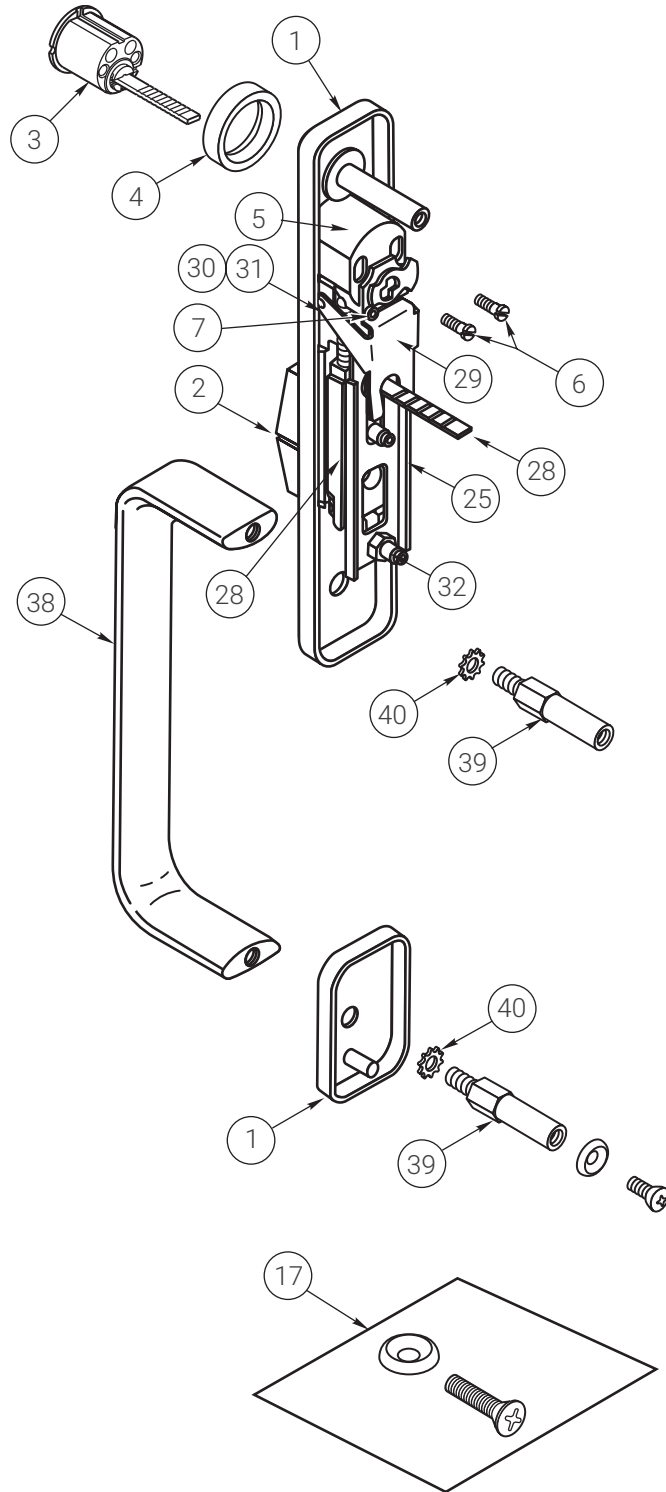
## 513F, 517F TRIM

Compatible with 6000 and 7000 Series Narrow Stile Exit Devices

Item	Part No.	Description
1	60-7200-0170-FIN 60-7200-0169-FIN 60-7200-0120-FIN	Escutcheon Assembly 513F Top 517F Top Bottom
2	60-7200-0156-FIN	Thumbturn/Spindle Assy.
3	See Chart Page 50	Cylinder, Rim
4	See Chart Page 50	Collar, Cylinder
5	60-7200-0159-000 60-7200-6145-082	Housing , Cylinder 513F 517F
6	60-7000-1235-048	Screw, Cylinder Mounting (2)
7	81-0016-2200-999	Screw, NL Function
16	60-7000-9001-999	Thimble Insert, Nylon <b>Not Shown</b>
17	81-9500-1476-FIN 81-0013-0670-FIN 99-9999-X156-FIN	Screw Packet, Mtg. <b>Consists of the following:</b> Screw, 1/4-20 x 1" OPHMS (1) Washer, #14 Finish (1)
19	60-7000-1306-999	Spring Under Tailpiece 513F <b>Not Shown</b>
25	60-7200-1120-059	Plate, Cover
28	60-7200-0164-000	Rack & Tailpiece Assy
29	60-7200-1147-059	Lever, Clutch (513F)
30	60-7200-1083-059	Pin, Clutch Lever (513F)
31	99-9999-4617-999	Retainer, Clutch Lever Pin (2) (513F)
32	99-9999-3508-036	Nut, Cover Plate (2)
33	60-7200-1142-000	Hub (Not Shown)
34	99-9999-0246-999	Bushing, Nylon <b>Not Shown</b>
35	60-7200-1104-059	Washer, Grip <b>Not Shown</b>
37	60-7200-1133-000	Spring, Rack (2) <b>Not Shown</b>
38	60-7200-X136-FIN	Pull, Offset
39	60-7000-1039-048	Screw Post (2)
40	99-9999-7154-036	Lockwasher, Screw Post (2)
50	99-9958-0044-999	Pin, 5/32 x 1-1/8, Groove <b>Not Shown</b>

**513F, 517F TRIM**

Compatible with 6000 and 7000 Series Narrow Stile Exit Devices



<b>Cylinder Controls T-Turn</b>	<b>(Passage) Active T-Turn</b>
11/12	—
513F	517F

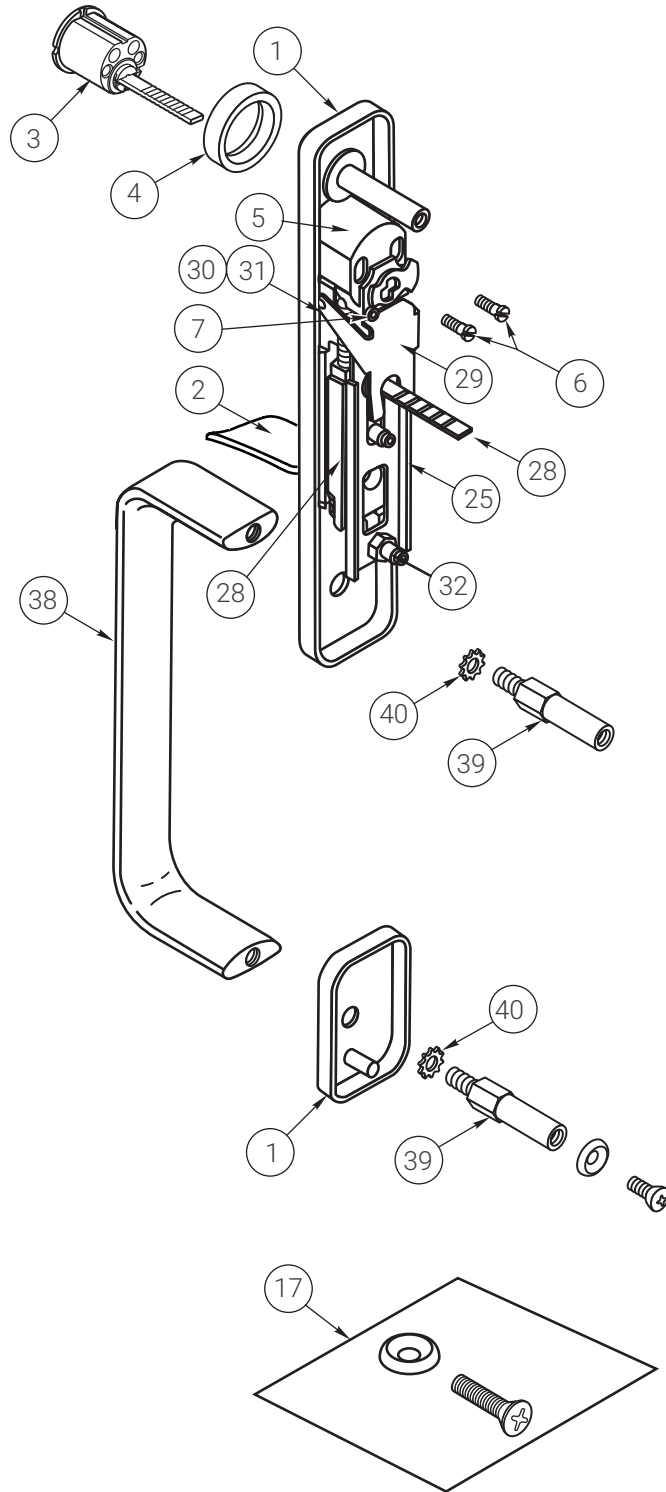
## 518F, 519F TRIM


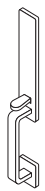
Compatible with 6000 and 7000 Series Narrow Stile Exit Devices

Item	Part No.	Description
1	60-7200-0162-FIN 60-7200-0163-FIN 60-7200-0120-FIN	Escutcheon Assembly 519F Top 518F Top Bottom
2	60-7000-X192-FIN	Thumbpiece
3	See Chart Page 50	Cylinder, Rim
4	See Chart Page 50	Collar, Cylinder
5	60-7200-0361-000	Housing, Cylinder
6	60-7000-1235-048	Screw, Cylinder Mounting (2)
7	81-0016-2200-999	Screw, NL Function
16	60-7000-9001-999	Thimble Insert, Nylon <b>Not Shown</b>
17	81-9500-1476-FIN 81-0013-0670-FIN 99-9999-X156-FIN	Screw Packet, Mtg. <b>Consists of the following:</b> Screw, 1/4-20 x 1" OPHMS (1) Washer, #14 Finish (1)
19	60-7000-1306-999	Spring Under Tailpiece 518F <b>Not Shown</b>
25	60-7200-1120-059	Plate, Cover
28	60-7200-0360-000	Rack & Tailpiece Assy
29	60-7200-1147-059	Lever, Clutch (518F)
30	60-7200-1083-059	Pin, Clutch Lever (518F)
31	99-9999-4617-999	Retainer, Clutch Lever Pin (2) (518F)
32	99-9999-3508-036	Nut, Cover Plate (2)
33	60-7200-1142-000	Hub <b>Not Shown</b>
35	60-7200-1104-059	Washer, Grip <b>Not Shown</b>
37	60-7200-1133-000	Spring, Rack (2) <b>Not Shown</b>
38	60-7200-X136-FIN	Pull, Offset
39	60-7000-1039-048	Screw Post (2)
40	99-9999-7154-036	Lockwasher, Screw
50	99-9958-0044-999	Pin, 5/32 x 1-1/8, Groove <b>Not Shown</b>

**518F, 519F TRIM**

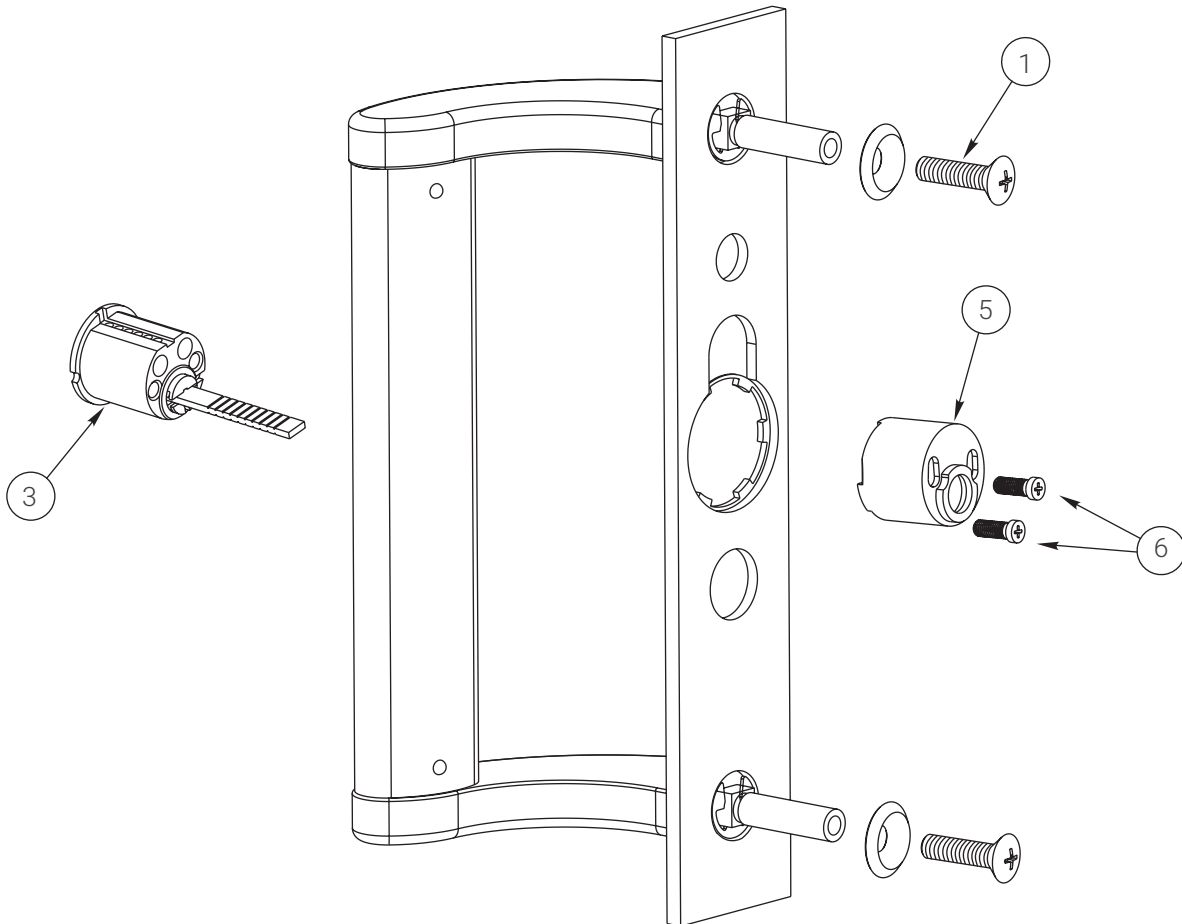
Compatible with 6000 and 7000 Series Narrow Stile Exit Devices



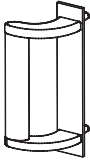
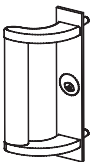
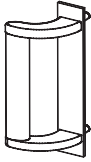
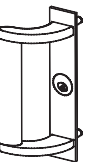
	
<b>Cylinder Controls T-Piece</b>	<b>Passage Active T-Piece</b>
05/06	—
518F	519F

**480F, 481F, 482F, 483F TRIM**

Compatible with 1800, 2100, 6000 and 7000 Series Wide & Narrow Stile Exit Devices



**481F**

			
<b>Dummy Pull</b>	<b>Nightlatch</b>	<b>Dummy Pull (Special lengths)</b>	<b>Nightlatch (Special lengths)</b>
02	03	02	03
480F	481F	482F	483F

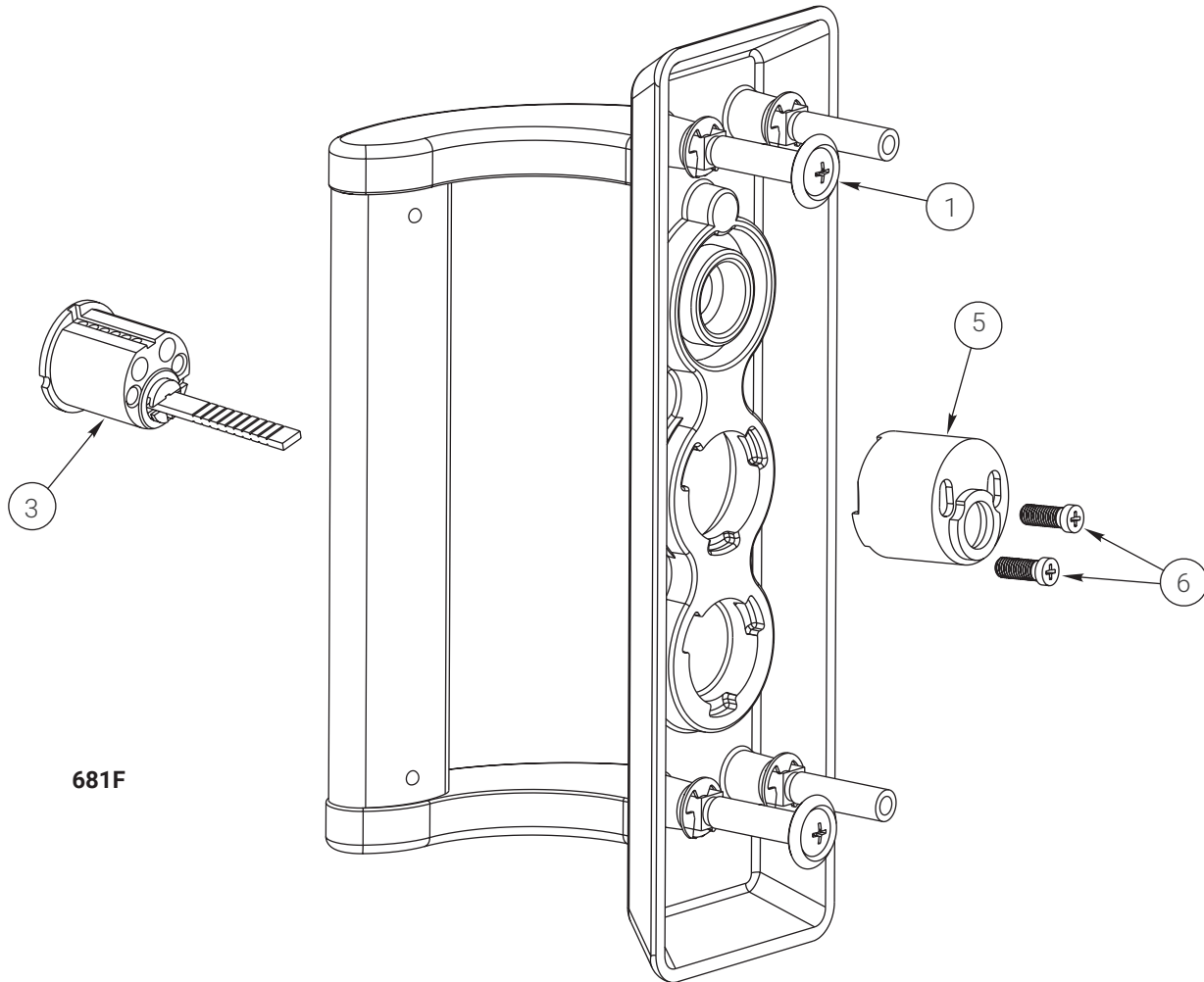
Item	Part No.	Description
1	81-9500-1404-FIN	Screw Packet, Mtg.
	81-0013-0670-FIN	<b>Consists of the following:</b>
	99-9999-X156-FIN	Screw 1/4-20 x 1" OPHMS(2) Washer #14 Finish (2)
3	See Chart Page 50	Cylinder, Rim
5	60-2000-6206-082	Housing, Cylinder (481F)
6	60-7000-1235-048	Screw, Cylinder Mtg. (2)

Note: Handle and Escutcheon sold as assembly only.



**680F, 681F, 684F TRIM**

Compatible with 1800, 2100, 6000 and 7000 Series Wide Stile Exit Devices



**681F**

<b>Dummy Pull</b>	<b>Nightlatch</b>	<b>Mortise Nightlatch</b>
02	03	03
680F	681F	684F

Item	Part No.	Description
1	81-9500-1404-FIN	Screw Packet, Mtg.
	81-0013-0670-FIN	<b>Consists of the following:</b>
	99-9999-X156-FIN	Screw 1/4-20 x 1" OPHMS(2) Washer #14 Finish (2)
3	See Chart Page 50	Cylinder, Rim or Mortise
5	60-2000-6206-082	Housing, Cylinder (681F)
6	60-7000-1235-048	Screw, Cylinder Mtg. (2)

Note: Handle and Escutcheon sold as assembly only.

**441F, 446F, 448F, 449F TRIM**

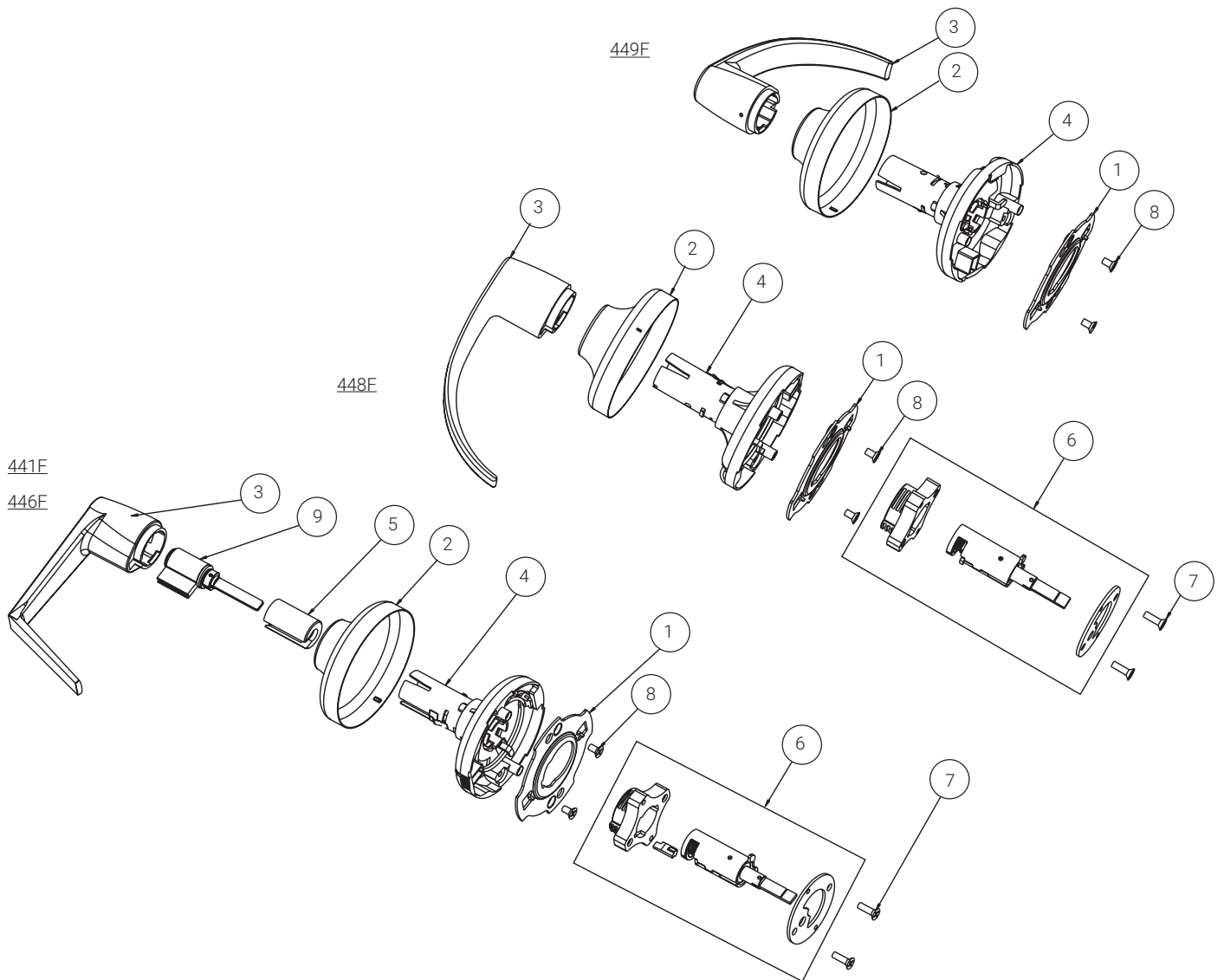
Compatible with 1800, 2100, 6000 and 7000 Series Wide & Narrow Stile Exit Devices

Item	Part No.	Description
1	14-5300-0030-010	Rose Plate
2	14-5300-2024-FIN	Rose Scalp
3		Lever
		Plain
	14-5301-6040-FIN	AU - Augusta
	14-5301-6902-FIN	MO - Monroe
	14-5301-6054-FIN	PB - Pacific Beach
		Cylinder
	14-5300-6039-FIN	AU - Augusta
	14-5305-6056-FIN	MO - Monroe
	14-5305-6054-FIN	PB - Pacific Beach
		LFIC 6 Pin 1-3/4" Door
	14-5305-0006-FIN	AU - Augusta
	14-5305-0014-FIN	MO - Monroe
	14-5305-0010-FIN	PB - Pacific Beach
		LFIC 6 Pin 2-1/4" Door
	14-5305-0018-FIN	AU - Augusta
	14-5305-0026-FIN	MO - Monroe
	14-5305-0022-FIN	PB - Pacific Beach
		SFIC 6 & 7 Pin 1-3/4" Door
	14-5305-0008-FIN	AU - Augusta
	14-5305-0016-FIN	MO - Monroe
14-5305-0012-FIN	PB - Pacific Beach	
	SFIC 6 & 7 Pin 2-1/4" Door	
14-5305-6030-FIN	AU - Augusta	
14-5305-0028-FIN	MO - Monroe	
14-5305-0024-FIN	PB - Pacific Beach	
	Schlage® LFIC 6 Pin 1-3/4" Door	
14-5305-0009-FIN	AU - Augusta	
14-5305-0013-FIN	PB - Pacific Beach	
	Schlage® LFIC 6 Pin 2-1/4" Door	
14-5305-0021-FIN	AU - Augusta	
14-5305-0025-FIN	PB - Pacific Beach	
	ASSA/Medeco LFIC 6 Pin 1-3/4" Door	
14-5305-6028-FIN	AU - Augusta	
4	14-5303-0001-048	Rose Support Assy
	14-0355-0003-048	441F, 446F, 448F 449F
5	14-5305-9078-999	Spacer
6	60-7000-0170-048	Spindle Assy
	60-7000-0169-048	441F
	60-7000-0168-048	446F 448F
7	81-3711-0412-048	8-32 X 1/2" FHPMS (2)
8	81-9500-1520-048	Screw Pack
9	See Chart Page 50	Cylinder

441F, 446F, 448F, 449F TRIM

Compatible with 1800, 2100, 6000 and 7000 Series Wide & Narrow Stile Exit Devices

	<b>AU</b>	<b>MO</b>	<b>PB</b>		
	<b>(NL) Access by Key</b>	<b>Cylinder Control Lever</b>	<b>(DT) Free Wheeling Lever</b>	<b>Passage Lever</b>	<b>(DT) Rigid Lever</b>
<b>ANSI #</b>	03	08	02	14	02
<b>Trim</b>	441F	446F	448F	448F	449F



**541F, 546F, 548F, 549F TRIM**

Compatible with 1800, 2100, 6000 and 7000 Series Wide & Narrow Stile Exit Devices

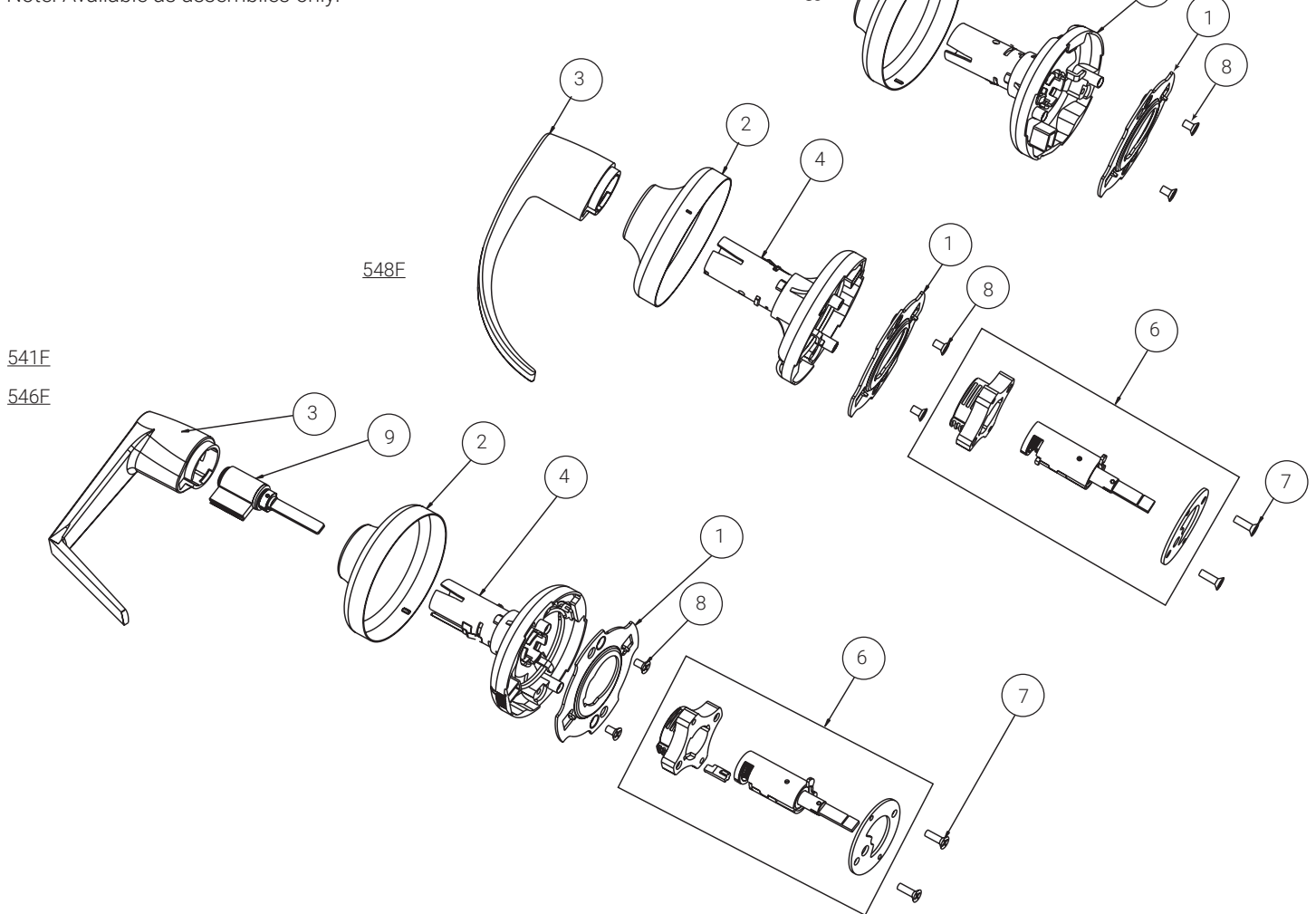
Item	Part No.	Description
1	14-5400-1051-048	Rose Plate
2	14-5401-2711-FIN	Rose Scalp
3	14-5401-6063-FIN 14-5401-6064-FIN 14-5401-6062-FIN  14-5407-6038-FIN 14-5407-6042-FIN 14-5407-6062-FIN  14-5417-6021-FIN 14-5417-6030-FIN 14-5417-6040-FIN  14-5417-6022-FIN 14-5417-6031-FIN 14-5417-6041-FIN  14-5417-6029-FIN 14-5417-6032-FIN 14-5417-6042-FIN  14-5417-6059-FIN 14-5417-6061-FIN 14-5417-6060-FIN  14-5417-6023-FIN	Lever Plain AU - Augusta MO - Monroe PB - Pacific Beach  Cylinder AU - Augusta MO - Monroe PB - Pacific Beach  LFIC 6 Pin AU - Augusta MO - Monroe PB - Pacific Beach  LFIC 7 Pin AU - Augusta MO - Monroe PB - Pacific Beach  SFIC 6 & 7 Pin AU - Augusta MO - Monroe PB - Pacific Beach  Schlage® LFIC 6 Pin AU - Augusta MO - Monroe PB - Pacific Beach  ASSA/Medeco LFIC AU - Augusta
4	60-7000-4005-999 60-7000-4015-999	Rose Support Assy 541F, 546F, 548F 549F
6	60-7000-0170-048 60-7000-0169-048 60-7000-0168-048	Spindle Assy 541F 546F 548F
7	81-3812-0408-059	8-32 X 3/8" PFHUCMS (2)
8	81-9500-1520-048	Screw Pack
9	See Chart Page 50	Cylinder
10	14-5407-9034-999	Lever Insert
Not Shown	14-5401-9580-999	Spring Pad Spacer 548F, 549F
	14-5407-1102-000	Lever Removal Tool

**541F, 546F, 548F, 549F TRIM**

Compatible with 1800, 2100, 6000 and 7000 Series Wide & Narrow Stile Exit Devices

AU	MO	PB		
<b>(NL)</b> Access by Key	<b>Cylinder</b> Control Lever	<b>(DT)</b> Free Wheeling Lever	<b>Passage</b> Lever	<b>(DT)</b> Rigid Lever
03	08	02	14	02
541F	546F	548F	548F	549F

Note: Available as assemblies only.



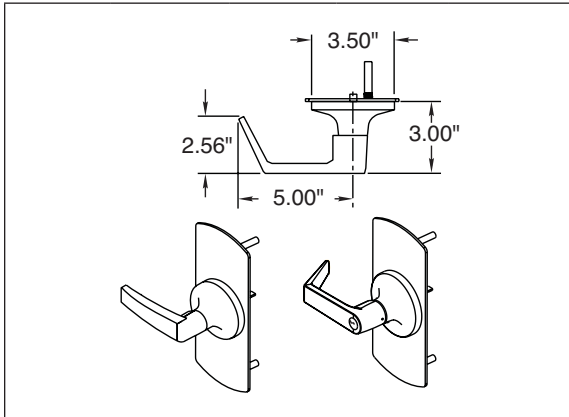
**581F, 586F, 588F, 589F TRIM**

Compatible with 1800, 2100, 6000 and 7000 Series Wide Stile Exit Devices

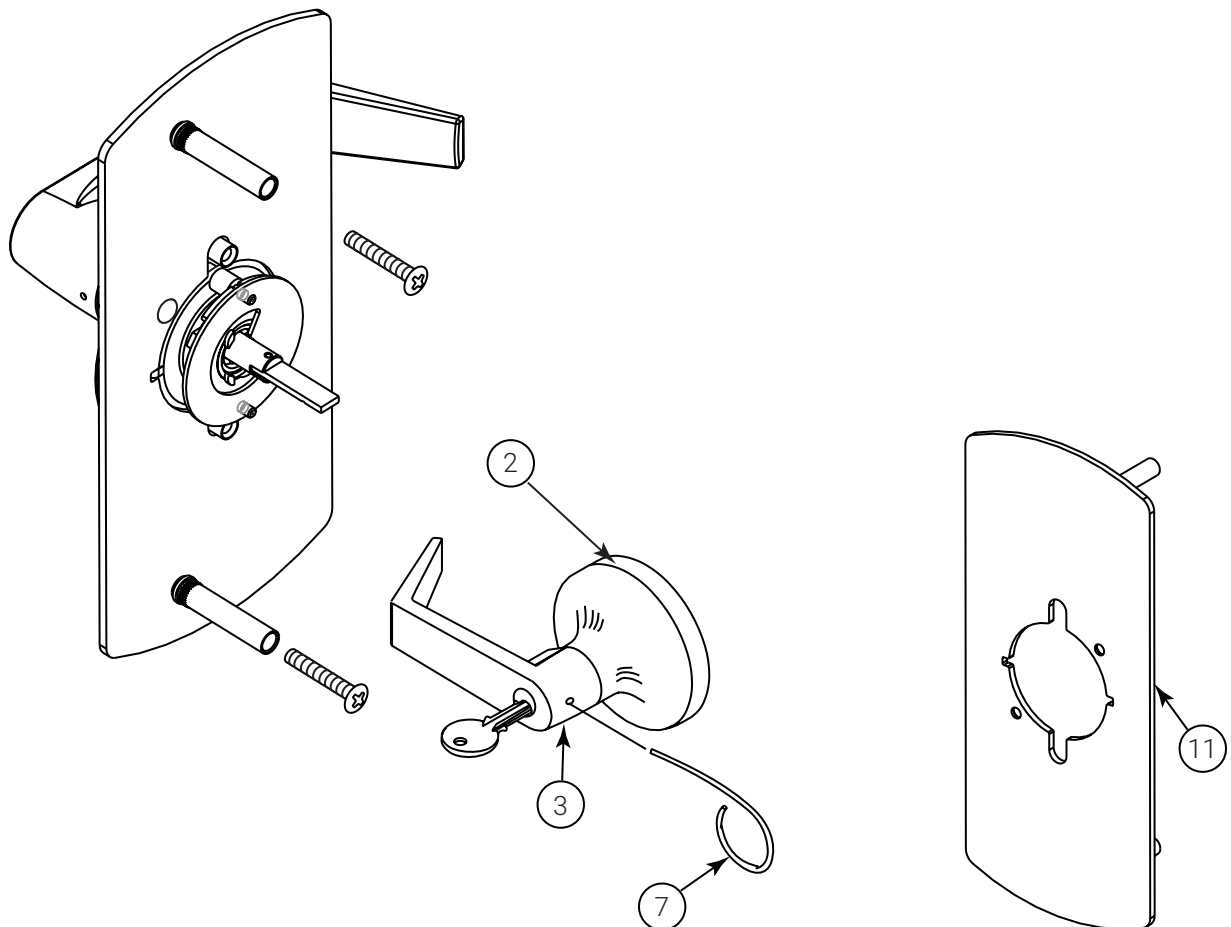
Item	Part No.	Description
2	14-5401-2711-FIN	Rose Scalp
3	14-5401-6063-FIN	Lever Plain AU - Augusta
	14-5401-6064-FIN	MO - Monroe
	14-5401-6062-FIN	PB - Pacific Beach
	14-5407-6038-FIN	Cylinder AU - Augusta
	14-5407-6042-FIN	MO - Monroe
	14-5407-6062-FIN	PB - Pacific Beach
	14-5417-6021-FIN	LFIC 6 Pin AU - Augusta
	14-5417-6030-FIN	MO - Monroe
	14-5417-6040-FIN	PB - Pacific Beach
	14-5417-6022-FIN	LFIC 7 Pin AU - Augusta
	14-5417-6031-FIN	MO - Monroe
	14-5417-6041-FIN	PB - Pacific Beach
	14-5417-6029-FIN	SFIC 6 & 7 Pin AU - Augusta
	14-5417-6032-FIN	MO - Monroe
	14-5417-6042-FIN	PB - Pacific Beach
	14-5417-6059-FIN	Schlage® LFIC 6 Pin AU - Augusta
	14-5417-6061-FIN	MO - Monroe
	14-5417-6060-FIN	PB - Pacific Beach
	14-5417-6023-FIN	ASSA/Medeco LFIC AU - Augusta
	7	14-5407-1102-000
11	60-7000-0155-FIN	Escutcheon Plate Assy
Not Shown	14-5400-1051-048	Rose Plate
	14-5407-9034-999	Lever Insert
	81-3711-0412-048	8-32 X 1/2" FHPMS (2)
	81-9500-1520-048	Screw Pack
	60-7000-4005-999	Rose Support Assy 581F, 586F, 588F
	60-7000-4015-999	589F
	60-7000-0170-048	Spindle Assy 581F
	60-7000-0169-048	586F
60-7000-0168-048	588F	
14-5401-9580-999	Spring Pad Spacer 588F, 549F	

**581F, 586F, 588F, 589F TRIM**

Compatible with 1800, 2100, 6000 and 7000 Series Wide Stile Exit Devices



Dummy Rigid Lever	Dummy Free Wheeling Lever	Passage Lever	Cylinder Control Lever	Nightlatch Access by Key
F02	F02	F14	F08	F03
589F	588F	588F	586F	581F



**LEVERS**

Used with 420F, 500F and 620F Series Trim



<p><b>AR</b></p>  <p><b>Arcadia</b> Projection: 3-1/4" (82mm) Lever assembly: RHR 60-7000-0097-FIN LHR 60-7000-0098-FIN</p>	<p><b>AU</b></p>  <p><b>Augusta</b> Projection: 2-5/8" (61mm) Lever assembly: 60-7000-0095-FIN</p>	<p><b>CR</b></p>  <p><b>Carmel</b> Projection: 3-1/8" (79mm) Lever assembly: 60-7000-0140-FIN</p>
<p><b>JN</b></p>  <p><b>Jefferson</b> Projection: 2-9/16" (65mm) Lever assembly: 60-7000-0093-FIN</p>	<p><b>MO</b></p>  <p><b>Monroe</b> Projection: 3" (76mm) Lever assembly: 60-7000-0239-FIN</p>	<p><b>PB</b></p>  <p><b>Pacific Beach</b> Projection: 3-5/16" (84mm) Lever assembly: 60-7000-0240-FIN</p>
<p><b>PN</b></p>  <p><b>Pinehurst</b> Projection: 3-1/16" (78mm) Lever assembly: 60-7000-0198-FIN</p>	<p><b>VI</b></p>  <p><b>Virginia</b> Projection: 3-1/8" (79mm) Lever assembly: 60-7000-0236-FIN</p>	<p><b>HA</b></p>  <p><b>Hampton</b> Projection: 3-3/8" (86mm) Lever assembly: 60-7000-0285-FIN</p>
<p><b>603F</b></p>  <p>Thumbturn Assembly: 60-7000-0157-FIN</p>		

Lever Handle Assemblies Include:  
Spindle - P/N 60-7000-1243-059  
Roll Pin - P/N 99-9999-3979-023

Note: Projection dimensions are provided using the 620F series escutcheon plates
































REFLECTIONS® LEVERS

Used with 420F, 500F and 620F Series Trim

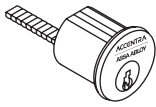
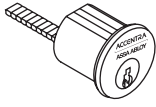


Part numbers coming soon. Contact Technical Product Support for part number information.


<p><b>Hudson</b></p>     						
<p><b>TB</b> Projection: 3-1/16" (78mm) Lever assembly:</p>	<p><b>UB</b> Projection: 3-1/4" (83mm) Lever assembly:</p>	<p><b>TC</b> Projection: 3" (76mm) Lever assembly:</p>	<p><b>TD</b> Projection: 3-7/16" (87mm) Lever assembly:</p>	<p><b>UC</b> Projection: 3-7/16" (87mm) Lever assembly:</p>		
<p><b>Spree</b></p>    						
<p><b>RS</b> Projection: 3-1/8" (79mm) Lever assembly:</p>	<p><b>RT</b> Projection: 3-1/8" (79mm) Lever assembly:</p>	<p><b>RU</b> Projection: 3-13/32" (87mm) Lever assembly:</p>	<p><b>RV</b> Projection: 3" (76mm) Lever assembly:</p>			
<p><b>Seine</b></p>      						
<p><b>TE</b> Projection: 3" (76mm) Lever assembly:</p>	<p><b>TG</b> Projection: 2-13/16" (61mm) Lever assembly:</p>	<p><b>TI</b> Projection: 3-3/8" (85mm) Lever assembly:</p>	<p><b>TJ</b> Projection: 3-1/16" (78mm) Lever assembly:</p>	<p><b>TK</b> Projection: 3-1/4" (83mm) Lever assembly:</p>	<p><b>GT</b> Projection: 3-1/4" (83mm) Lever assembly:</p>	
<p><b>Thames</b></p>      						
<p><b>TM</b> Projection: 3-1/16" (78mm) Lever assembly:</p>	<p><b>TN</b> Projection: 3-1/16" (78mm) Lever assembly:</p>	<p><b>TP</b> Projection: 3-5/16" (84mm) Lever assembly:</p>	<p><b>TR</b> Projection: 3-1/16" (78mm) Lever assembly:</p>	<p><b>TS</b> Projection: 3-1/8" (80mm) Lever assembly:</p>	<p><b>TQ</b> Projection: 3-1/16" (78mm) Lever assembly:</p>	
<p><b>Victoria</b></p>       						
<p><b>TT</b> Projection: 2-11/16" (68mm) Lever assembly:</p>	<p><b>TU</b> Projection: 3-1/4" (83mm) Lever assembly:</p>	<p><b>TW</b> Projection: 3" (76mm) Lever assembly:</p>	<p><b>TX</b> Projection: 3-5/8" (92mm) Lever assembly:</p>	<p><b>UX</b> Projection: 3-7/16" (87mm) Lever assembly:</p>	<p><b>TY</b> Projection: 3-5/16" (84mm) Lever assembly:</p>	<p><b>WG</b> Projection: 3-5/8" (92mm) Lever assembly:</p>
<p><b>Niagara</b></p>    						
<p><b>MA</b> Projection: 2-13/16" (71mm) Lever assembly:</p>	<p><b>RA</b> Projection: 3-11/16" (94mm) Lever assembly:</p>	<p><b>RB</b> Projection: 2-13/16" (71mm) Lever assembly:</p>	<p><b>RC</b> Projection: 2-13/16" (71mm) Lever assembly:</p>			

Note: Projection dimensions are provided using the 620F Series escutcheon plates.

**CYLINDERS**

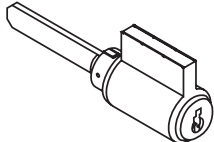
			Cylinder(s)	Description	Cylinder Collar	Mounting Screws	
			<b>Rim Cylinder</b>	<b>Narrow Escutcheon Trim 500F/510F Series</b> Rim cylinders with special #599 cylinder rings. NOT AVAILABLE with U5109 cylinder.		1109 / 5109 6-pin	Standard / Security
1109 / 5109 7-pin	Standard / Security	599-.419				60-7000-1235-048	
1193 / 5193 6-pin	LFIC / Sec. LFIC	599-.544				10-1193-1018-048	
1193 / 5193 7-pin	LFIC / Sec. LFIC	599-.544				10-1193-1018-048	
1709 6-pin	CMK Cylinder	599-.544				34-2311-8738-048	
1709 7-pin	CMK Cylinder	599-.700				34-2311-8738-048	
<b>Escutcheon Trim 620F/630F and 600 Series Electric Trim Rim Cylinders</b>				1109 / 5109 6-pin	Standard / Security	----	60-7000-1235-048
				U5109 6-pin	High Security	----	60-7000-1235-048
				1109 / 5109 7-pin	Standard / Security	----	60-7000-1235-048
				U5109 7-pin	High Security	----	60-7000-1235-048
				1709 6-pin	CMK Cylinder	1765-.250	34-2311-8738-048
				1709 7-pin	CMK Cylinder	1765-.250	34-2311-8738-048
				1193 / 5193 6-pin	Std. / Sec. LFIC	1765-.250	10-1193-1018-048
				1193 / 5193 7-pin	Std. / Sec. LFIC	1765-.344	10-1193-1018-048

Note: Mounting screw part numbers shown are the screws to mount the cylinder.

			Cylinder(s)	Description	Cylinder Collar	
			<b>Mortise Cylinder</b>	<b>Mortise Exit Devices Escutcheon Trim 650F/660F Series</b>		2153 / 5153, 6 or 7-pin, 1-1/2" (38mm)
2196 / 5196 6-pin	Std. LFIC / Sec. LFIC	----				
2197 / 5197 7-pin	Std. LFIC / Sec. LFIC	1765 -.062				
<b>Keyed Removable Mullions KRM200/200F</b>				2153/5153*, 6 or 7-pin, 1-1/8" (29mm)	Standard / Security	----
				2196 / 5196 6-pin	Std. LFIC / Sec. LFIC	1765-.250
				2197 / 5197 7-pin	Std. LFIC / Sec. LFIC	1765-.250
<b>Cylinder Dogging</b>				2153, 6-pin, 1-1/8" (29mm)	Standard	----
				2153, 7-pin 1-1/4" (32mm)	Optional 7-pin	1765 -.156
				2196, 6-pin 1-1/2" (38mm)	Std. LFIC 6-pin	1765 -.406
<b>Alarm Kit</b>				2197, 7-pin 1-11/16" (42mm)	Std. LFIC 7-pin	1765 -.594

As with exit device trim you must order a cylinder to go with a keyed removable mullion. Keyed removable mullions accept a standard 6-pin 2153 mortise cylinder with cam #2160. Other cylinders are optional.

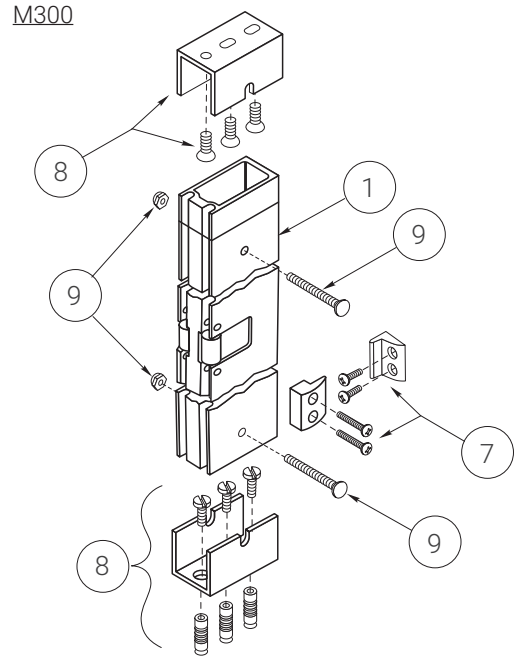
\*U5153 6 and 7-pin cylinders cannot be used with a keyed removable mullion.

		Cylinder(s)	Description
		<b>Lever Trim 540F or 440F Series</b>	
1802A	7-pin Lever Cylinder		
1210	6-pin LFIC Lever Cylinder		
1220	7-pin LFIC Lever Cylinder		
5802	6-pin Security Lever Cyl.		
5802A	7-pin Security Lever Cyl.		
5210	6-pin LFIC Security Cyl.		
5220	7-pin LFIC Security Cyl.		
107S	Adaptor kit for Schlage® Cyl.		
"B" Trim Prefix	Lever to accept 6- or 7-pin SFIC cores		

\*AU & PB levers only.

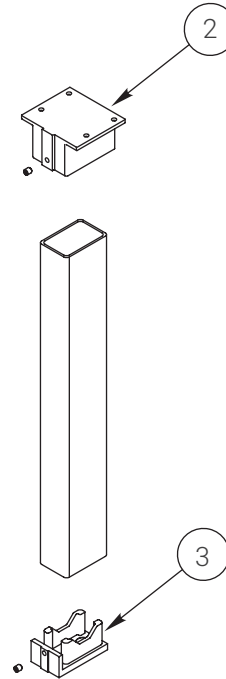
**MULLIONS**

Item	Part No.	Description
1	60-7200-0011-FIN 60-7200-0013-FIN	Mullion 8' M300 Mullion 10' M300
7	81-9500-1417-FIN	Stabilizer Kit (optional) <b>contains:</b> Bracket, Stabilizer (2) Stabilizer (2) Spacer, Stabilizer (4) Screw, #10-24 x 3/4" FHM-PH (4) Screw, #10-24 x 1" FHM-PH (4)
8	81-9500-1416-FIN	Mounting Bracket Packet <b>contains:</b> Mullion Mounting Plate (2) Screw, 1/4-20 x 1/2 FHUM-PH (6) Anchor, 1/4-20 Masonry (3)
9	81-9500-1414-FIN	Carriage Bolt Packet <b>contains:</b> Bolt, 1/4-20 x 1-3/4" Carriage
Not Shown	81-9500-1418-FIN	Parts Packet contains: Items 7, 8 and 9

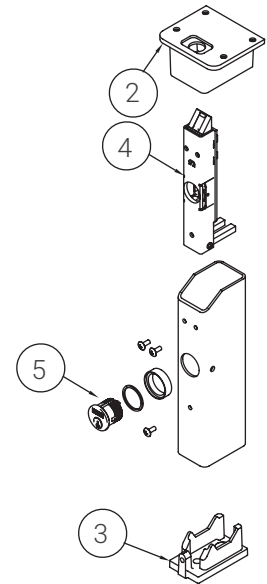


**MULLIONS**

Item	Part No.	Description
2	60-7000-0759 60-7000-0755	Top Retainer Packs: M200(F) KRM200(F)
3	60-7000-0763 60-7000-0760	Bottom Retainer Packs: M200(F) KRM200(F)
4	60-7000-0750	Locking Mechanism, KRM200(F)
5	See Chart Page 50	Cylinder, Mortise



M200(F)



KRM200(F)

## HANDING INSTRUCTIONS

The following Free-Wheeling exit device lever trims will ship with a universal lever spring and hub:

626F, 627F, 628F, 629F, 690F, 691F

The universal spring allows the handing for the trim to easily be changed without the need for any additional parts.

The required trim handing should be specified on the purchase order and will be set at the factory.

The following details changing the handing in the field:

Tools Needed: Needle Nose pliers, Crescent wrench

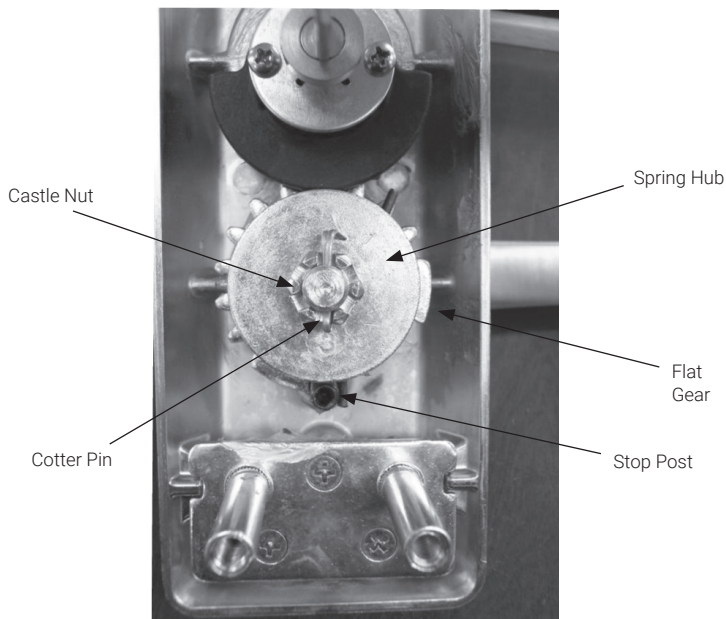
### Notes:

During change ensure black gear does not rotate.

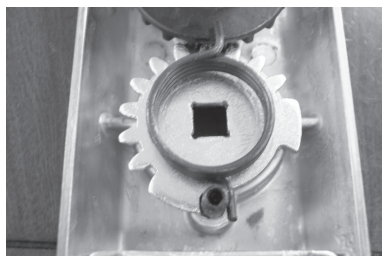
Please wear safety glasses and be aware of spring tension on spring hub upon removal and assembly.

Light lubrication is recommended under flat gear, white lithium grease can be used.

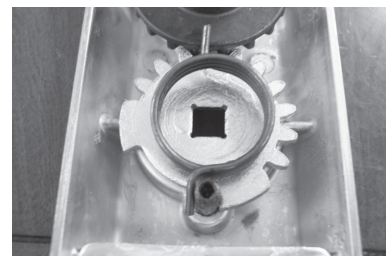
- Remove cotter pin
- Remove castle nut
- Remove washer
- Carefully pull up on spring hub to disengage spring
- Remove spring and note orientation
- Remove lever handle
- Pick-up flat gear, flip and orient stop on opposite side of stop post. See pictures for hand orientation.
- Install spring upside down from original orientation and place spring leg on opposite side of stop post from original installation orientation
- Install lever 180 degrees from original position
- Install spring hub with stamped number in the 6 o'clock position
- Rotate spring leg around with needle nose pliers to engage notch in spring hub, refer to pictures for reference position. Press down on spring hub to ensure complete engagement.
- Install washer
- Install castle nut, do not over tighten, verify by insuring lever returns horizontally on its own
- Install cotter pin



Left Hand Reverse Shown



Left Hand Reverse gear & spring orientation



Right Hand Reverse gear & spring orientation



**ACCENTRA**

**ASSA ABLOY**

The ASSA ABLOY Group is the global leader in access solutions. Every day, we help billions of people experience a more open world.

ASSA ABLOY Opening Solutions leads the development within door openings and products for access solutions in homes, businesses and institutions. Our offering includes doors, frames, door and window hardware, mechanical and smart locks, access control and service.

**TECHNICAL SUPPORT**

(troubleshooting, product use and application, returns)

Tel: 855-557-5078

Email: [techsupport.accentra@assaabloy.com](mailto:techsupport.accentra@assaabloy.com)

**CUSTOMER SUPPORT**

(orders, product configuration, pricing, lead-time)

Tel: 855-557-5078 x2

Email: [Customerservice.Accentra@assaabloy.com](mailto:Customerservice.Accentra@assaabloy.com)

 **WARNING**

This product can expose you to lead which is known to the state of California to cause cancer and birth defects or other reproductive harm. For more information go to [www.P65warnings.ca.gov](http://www.P65warnings.ca.gov).

**U.S.A.:**  
ASSA ABLOY ACCENTRA™  
225 Episcopal Road  
Berlin, CT 06037-4004  
Tel: 1-800-438-1951  
Fax: 1-800-338-0965  
[www.accentra-assaabloy.com](http://www.accentra-assaabloy.com)

**Canada:**  
ASSA ABLOY Door Security Solutions Canada  
160 Four Valley Drive  
Vaughan, Ontario L4K 4T9  
Tel: 1-800-461-3007  
Fax: 1-800-461-8989  
[assaabloydss.ca](http://assaabloydss.ca)

**International:**  
ASSA ABLOY Americas International  
Tel: 1-905-821-7775  
Fax: 1-905-821-1429  
[assaabloyai.com](http://assaabloyai.com)