

7000 SERIES

Architectural Exit Devices Parts Manual

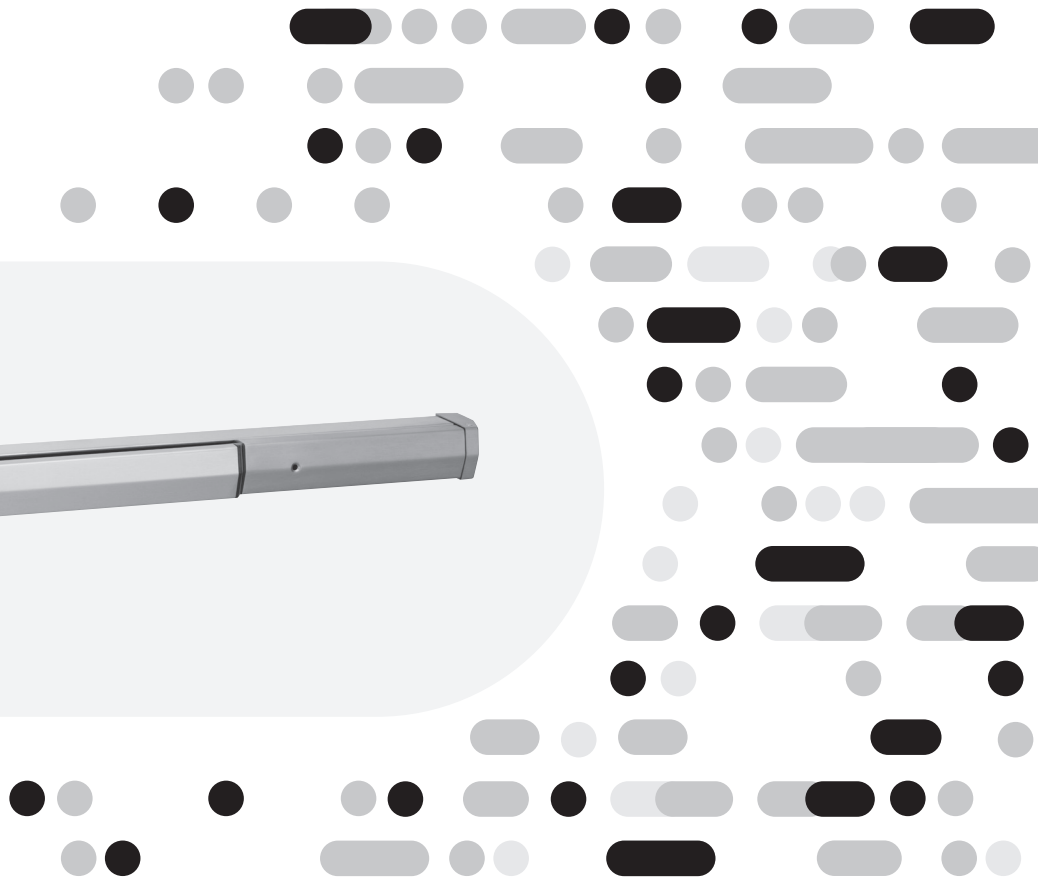
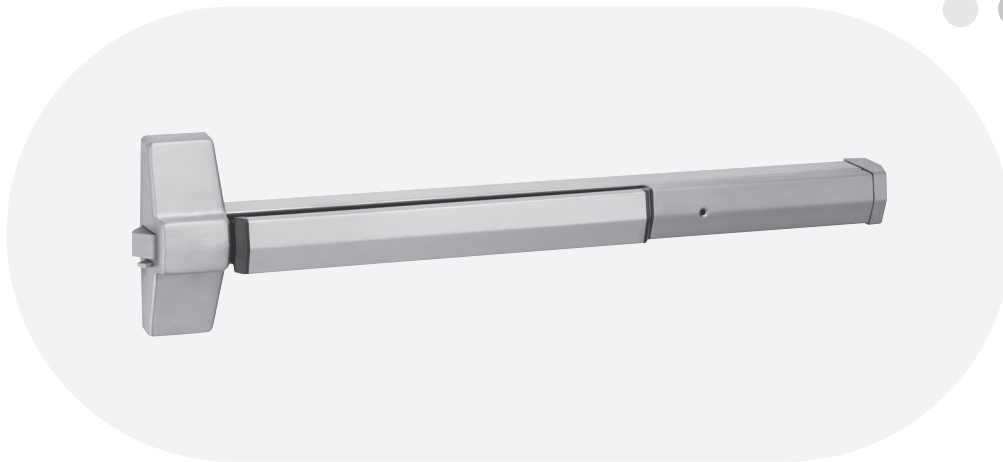


TABLE OF CONTENTS

Introduction	
Installation Notes	3
How to Order Parts	3
Finish Chart	3
Exit Devices	
7100/7100F/7200 Rim	4
7200M/7200MF Rim	5
7150/7150F/7250 Squarebolt®	6
7250M/7250MF Squarebolt®	7
7110/7110F/7210 Surface Vertical Rod	8
7210M/7210MF Surface Vertical Rod	10
7170/7170F Surface Vertical Rod	12
7170/7170F LBR Surface Vertical Rod (Less Bottom Rod)	14
7120/7120F/7220 Concealed Vertical Rod	16
7220M/7220MF Concealed Vertical Rod	18
7160/7160F Concealed Vertical Rod	20
7160/7160F LBR Concealed Vertical Rod (Less Bottom Rod)	22
7130/7130F Mortise	24
720DB Rigid Bar	26
7000 Bar Assembly	28
Strikes	30
Accessories	31-32
Handing Instructions	33
Surface Vertical Rod Devices	34
Concealed Vertical Rod Devices	35
Troubleshooting	36

INTRODUCTION

Installation Notes

1. Any retrofit or other field modification to a fire rated opening can potentially impact the fire rating of the opening, and ASSA ABLOY ACCENTRA™ makes no representations or warranties concerning what such impact may be in any specific situation. When retrofitting any portion of an existing fire rated opening, or specifying and installing a new fire rated opening, please consult with a code specialist or local code official (Authority Having Jurisdiction) to ensure compliance with all applicable codes and ratings.
2. Refer to the templates and installation instructions for complete door preparation and installation requirements.
3. Machine screws are provided for steel reinforced doors, threaded-to-the-head AB Type screws are provided for wood door applications. In addition, sex nuts and bolts are provided for fire rated devices and are optional for non-rated devices. It is recommended that sex nuts and bolts be used for all exit device applications. This will improve the performance and extend the life of the product.

How To Order Parts

To order parts, provide the appropriate quantity, part number, finish, hand (when required) and description as directed and illustrated below.

For example, use the following configuration to order:

A) ten latch covers (page 4) in satin stainless steel

B) one surface vertical rod latch cover (page 8) in black suede powder coat

	Quantity	Part Number	Finish	Hand	Description
A	10	60-7100-X026-FIN	630	—	Latch Cover
B	1	60-7010-X040-FIN	BSP	—	Top Latch Cover

For assistance, contact your authorized ASSA ABLOY ACCENTRA™ distributor, sales agency or visit our website at www.accentra-assaabloy.com.

Finishes

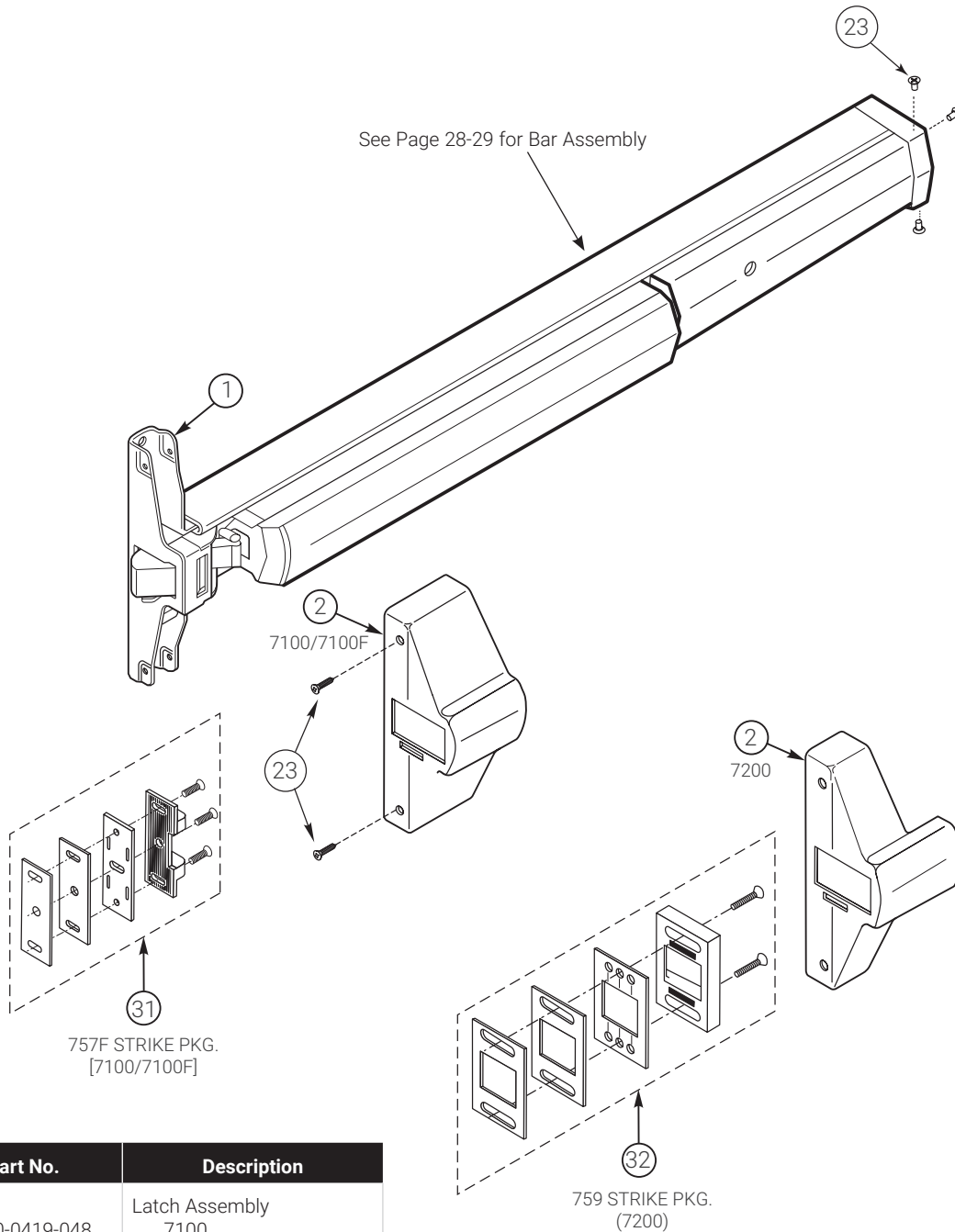
ANSI/BHMA Code	Finish Description
605	Bright Brass, Clear Coated
606	Satin Brass, Clear Coated
611	Bright Bronze, Clear Coated
612	Satin Bronze, Clear Coated
613E	Dark Oxidized Satin Bronze, equivalent
619	Satin Nickel Plated, Clear Coated ²
629	Bright Stainless Steel
630	Satin Stainless Steel ²
693	Black Painted
BSP	Black Suede Powder Coat
WSP	White Suede Powder Coat

Finishes For Touchbar Covers Only	
BN ¹	Semi-Gloss Black Fused Polymer
LUM	Lumi-Lite® Photoluminescence
SS	Stainless Steel

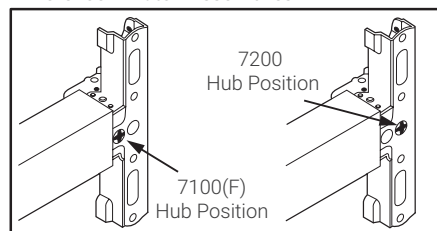
1. Standard for device accent parts and strikes
2. Finish available with MicroShield® antimicrobial coating, additional finishes by special application. Consult factory for availability.




7100/7100F/7200 RIM

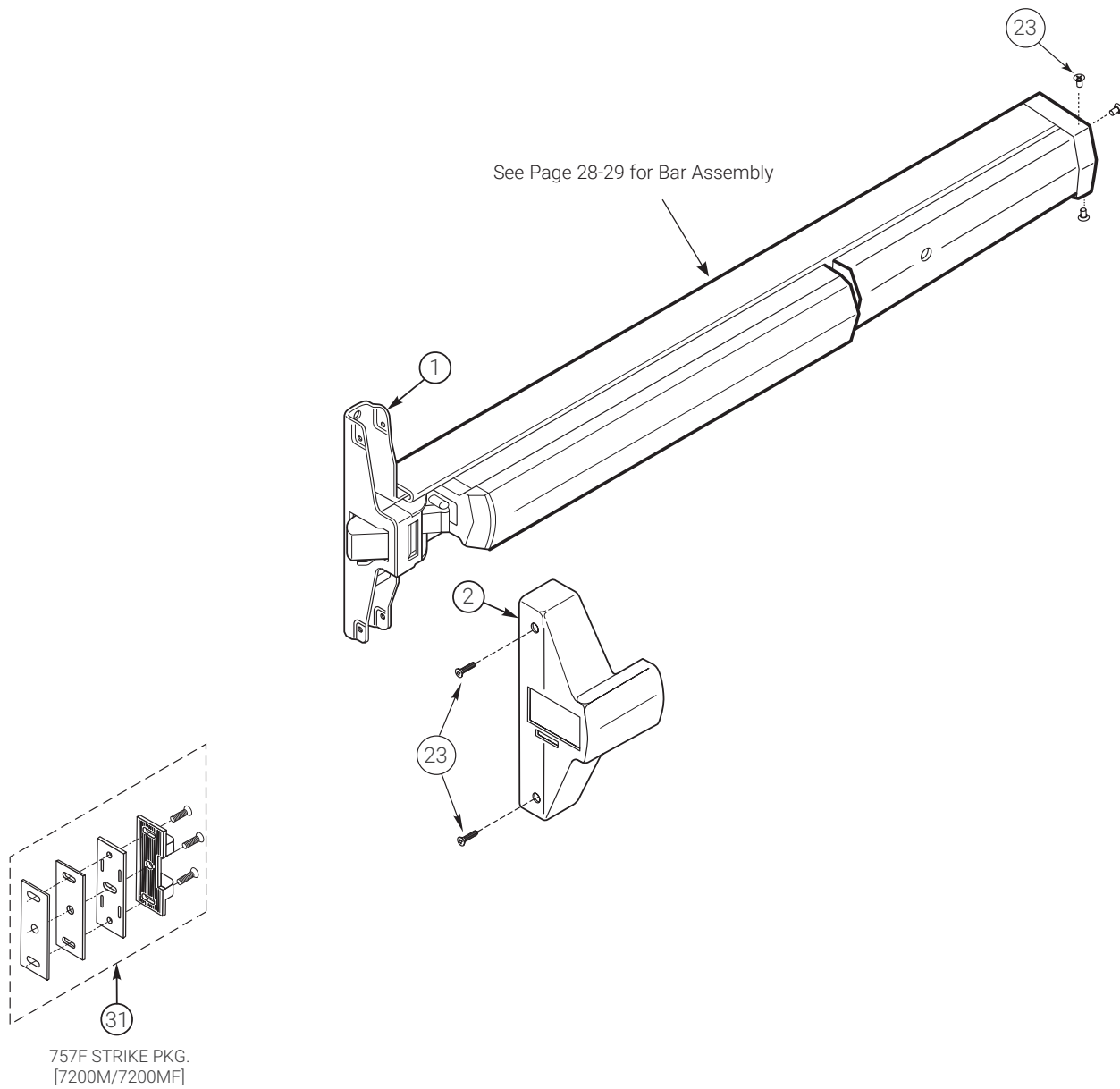



Difference in Latch Assemblies

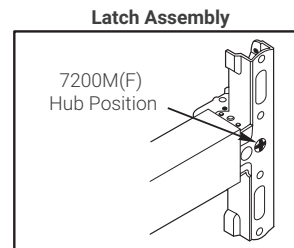


Item	Part No.	Description
1	60-7000-0419-048 60-7000-0425-048 60-7200-0354-048	Latch Assembly 7100 7100F 7200
2	60-7100-X026-FIN Not Available 60-7000-X111-FIN	Cover 7100 7100F  7200
23	81-9500-1549-FIN	Screw Packet, Cover #8-32 x 5/16" UFPHMS (5)
31	81-9800-0001-999	757F Strike Packet 7100(F)
32	81-9500-1357-200	759 Strike Packet 7200

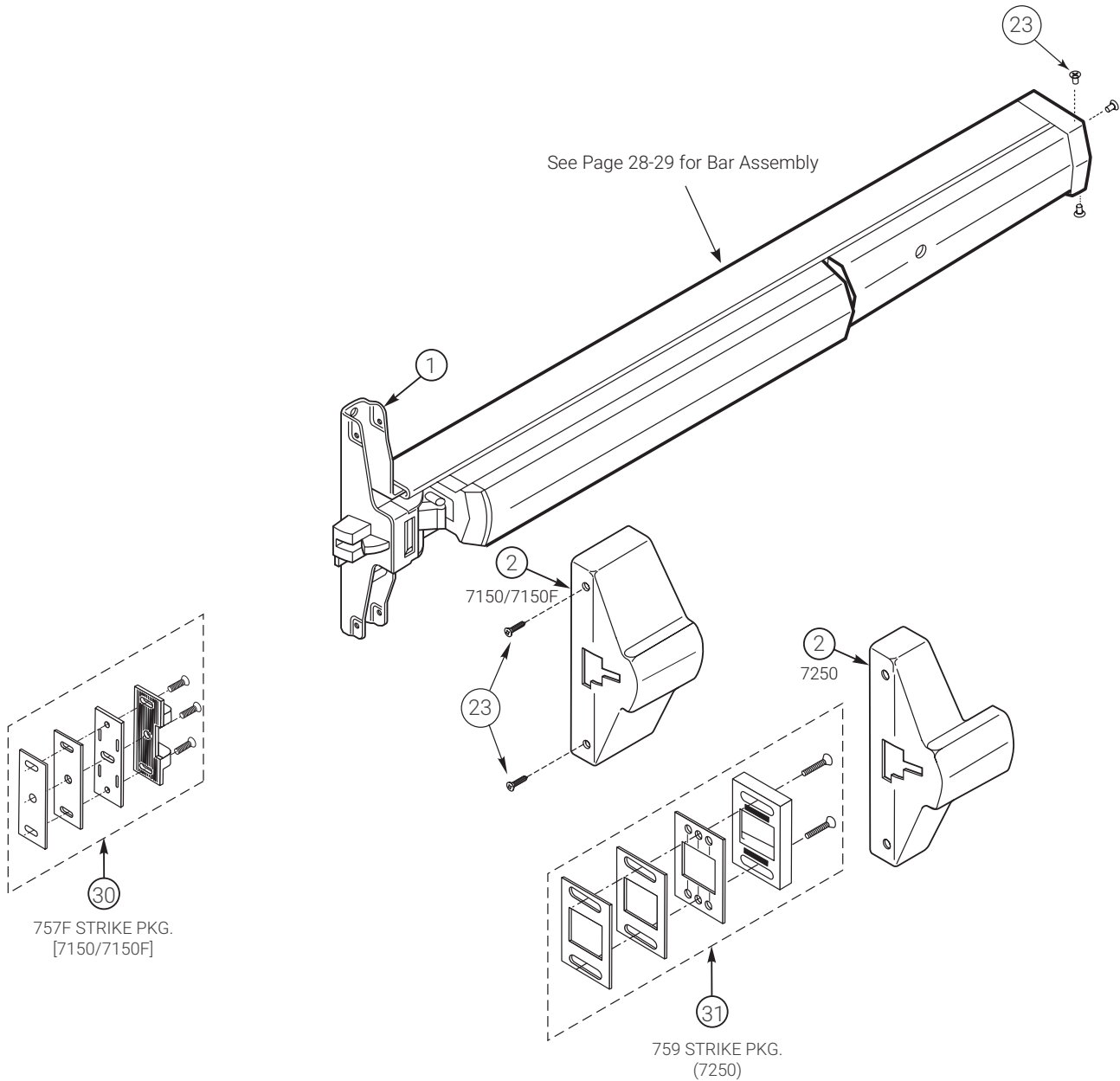
7200M/7200MF RIM



Item	Part No.	Description
1	60-7200-0354-048 60-7200-0362-048	Latch Assembly 7200M 7100MF
2	60-7000-X111-FIN Not Available	Cover 7200M 7100MF 
23	81-9500-1549-FIN	Screw Packet, Cover #8-32 x 5/16" UFPHMS (5)
31	81-9800-0001-999	757F Strike Packet 7200M(F)

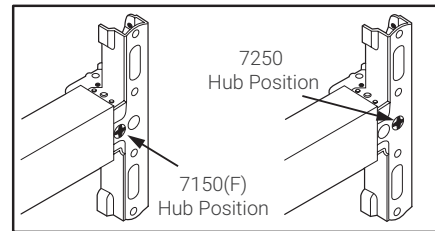


7150/7150F/7250 SQUAREBOLT®

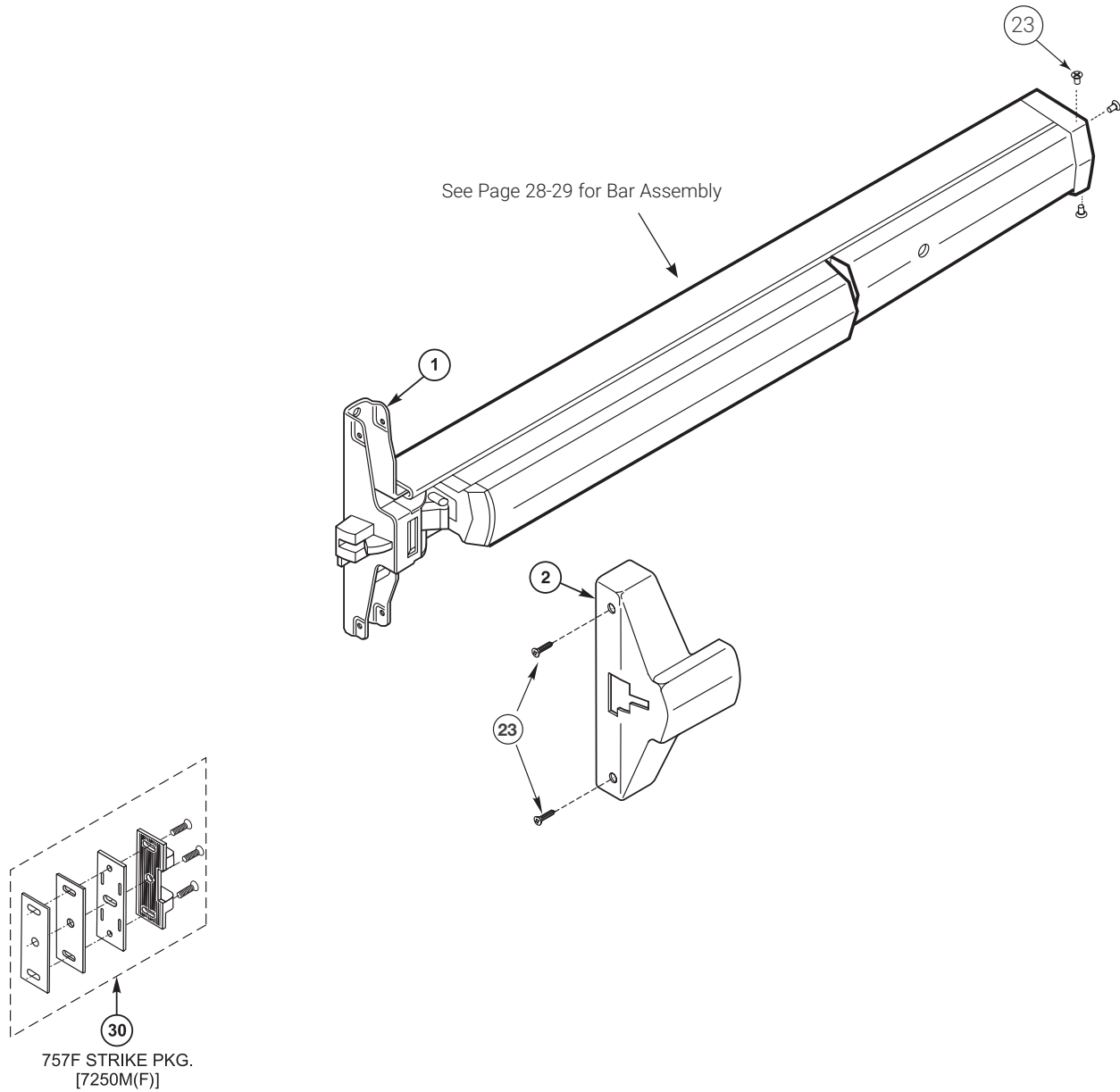



Item	Part No.	Description
1	60-7150-0005-048 60-7250-0001-048	Latch Assembly 7150, 7150F 7250
2	60-7150-X001-FIN Not Available 60-7250-X001-FIN	Cover 7150 7150F 7250
23	81-9500-1549-FIN	Screw Packet, Cover #8-32 x 5/16" UFPHMS (5)
30	81-9500-1683-200	757F Strike Packet 7150(F)
31	81-9500-1357-200	759 Strike Packet 7250

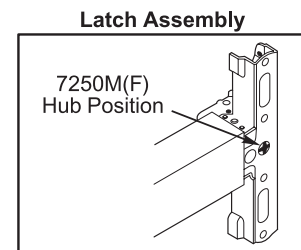
Difference in Latch Assemblies




7250M/7250MF SQUAREBOLT®



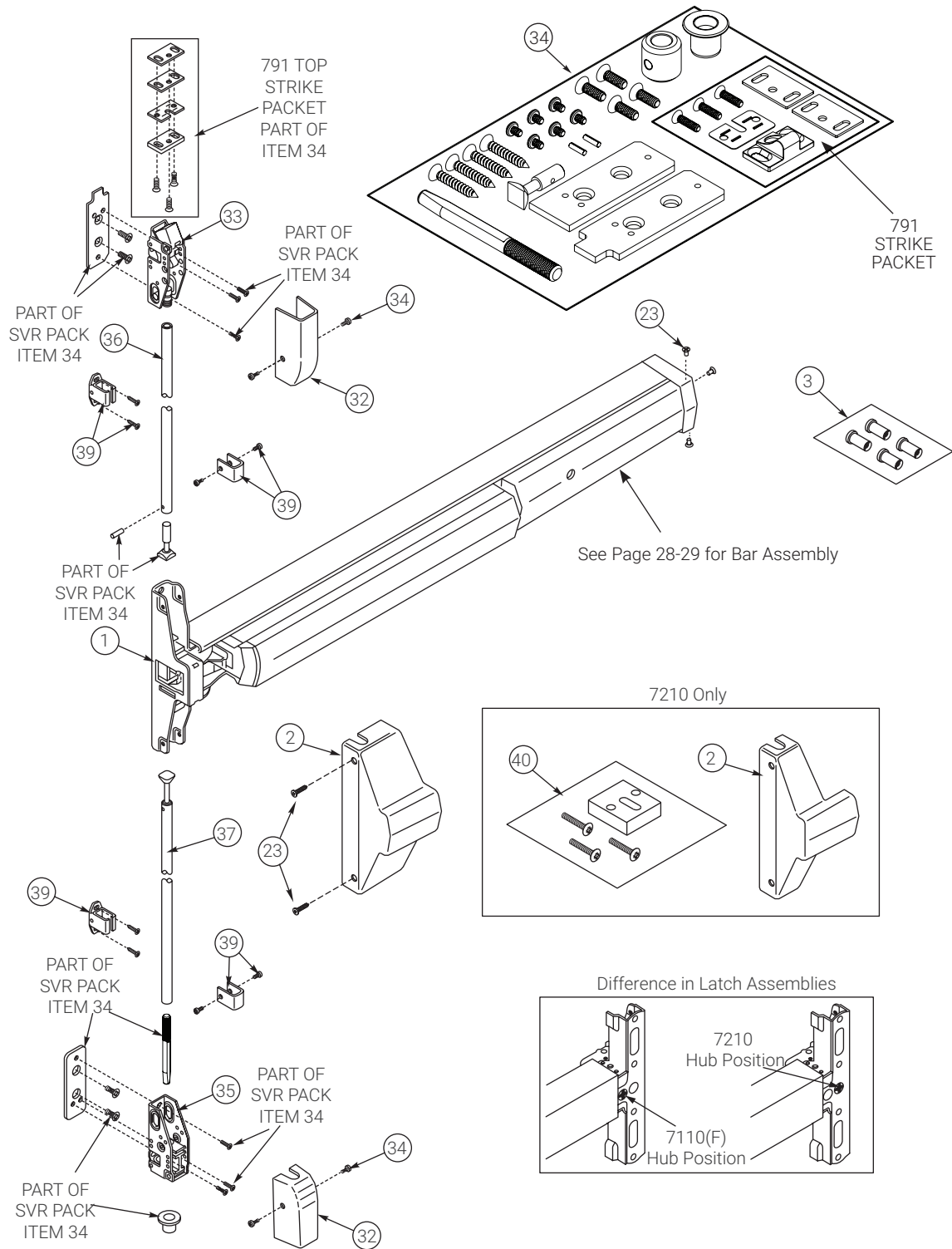
Item	Part No.	Description
1	60-7250-0001-048	Latch Assembly 7250M(F)
2	60-7250-X001-FIN Not Available	Cover 7250M 7250MF 
23	81-9500-1549-FIN	Screw Packet, Cover #8-32 x 5/16" UFPHMS (5)
30	81-9500-1683-200	757F Strike Packet 7250M(F)




7110/7110F/7210 SURFACE VERTICAL ROD

Item	Part No.	Description
1	60-7010-0360-048 (LH) 60-7010-0365-048 (RH) 60-7210-0354-048 (LH) 60-7210-0364-048 (RH)	Latch Assembly 7110, 7110F (Must Specify Hand) 7210 (Must Specify Hand)
2	60-7110-X003-FIN Not Available 60-7010-X069-FIN	Cover 7110 7110F  7210
3	03-0080-5047-FIN	Sex Nut Pack (4) Fire Rated Only (2 Packs)
23	81-9500-1549-FIN	Screw Packet, Cover #8-32 x 5/16" UFPHMS (5)
32	60-7010-X040-FIN	Cover, Top & Bottom Latches (2)
33	60-7010-0049-999 60-7010-0050-999	Top Latch 7110, 7210 7110F
34	81-9500-1512-000 60-7010-1038-048 60-7010-1039-048 60-7010-1067-048 99-9999-4308-999 60-7000-1150-999 60-7020-1073-029 60-7020-0050-000 81-9500-1546-000 81-9500-1454-200	SVR Pack Consists of the following: Top Mtg. Plate Bottom Mtg. Plate Top Rod Connector Rod Connecting Pin (2) Drill Jig Floor Bolt Bottom Strike Latch Mounting Screw Packet 791 Top Strike Packet
35	60-7010-0054-000 60-7010-0053-000	Bottom Bolt Case 7110, 7210 7110F
36	60-7010-X052-FIN	Top Rod
37	60-7010-0020-FIN	Bottom Rod Assembly
39	81-9500-1514-FIN 60-7010-9050-999 60-7010-7051-FIN 81-3110-0412-058 81-3115-0308-FIN 81-0011-0404-FIN	Rod Guide Packet Consists of the following: Guide, Rod (1) Cover, Rod Guide (1) Screw, #8 X 1/2" PRHMS (2) Screw, Rod Guide Cover Screw, #8-32 x 1/4" PFHUMS (2)
40	81-9500-1464-200	Blade Stop Block Packet (7210 only)

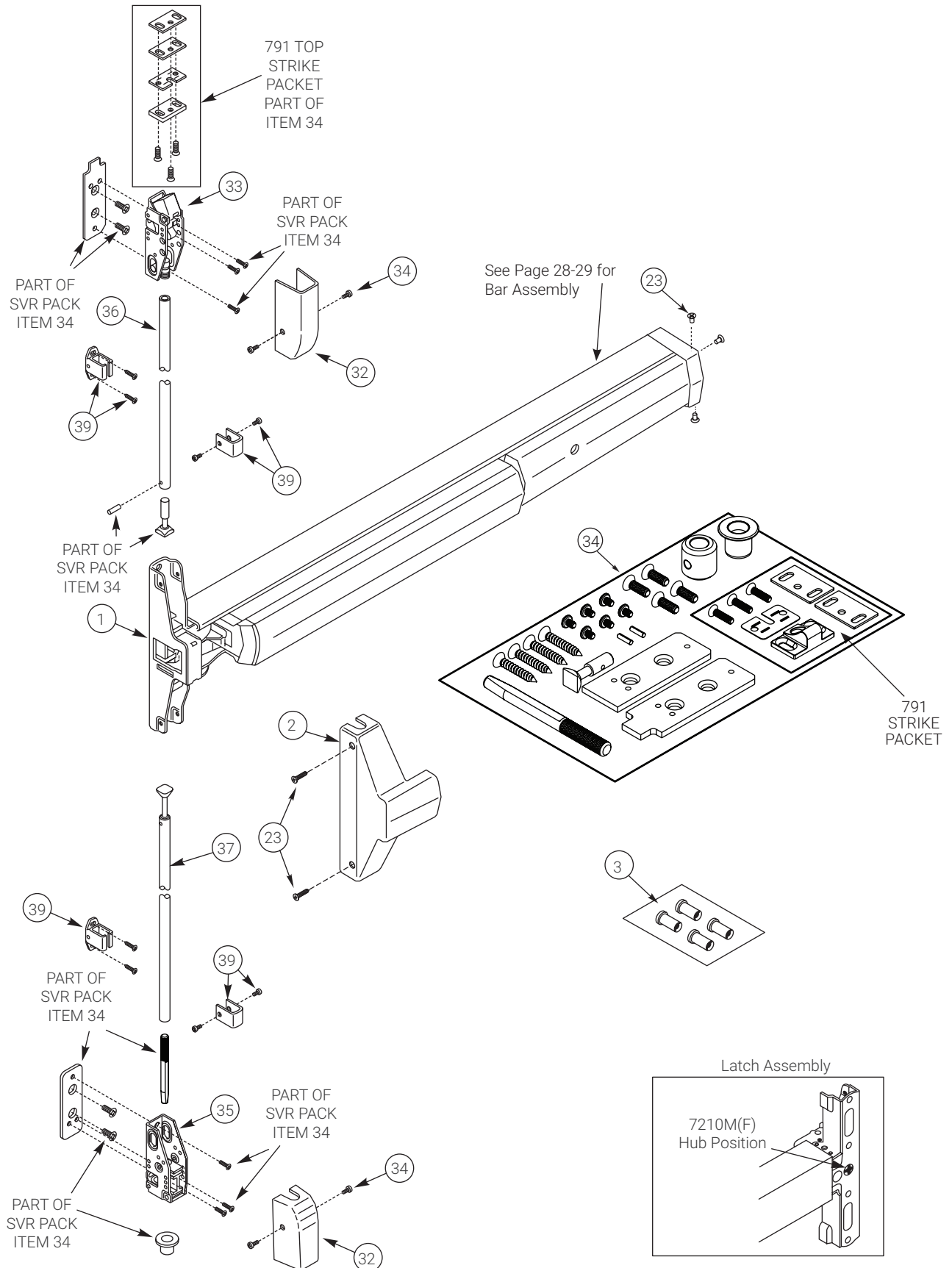
7110/7110F/7210 SURFACE VERTICAL ROD




7210M/7210MF SURFACE VERTICAL ROD

Item	Part No.	Description
1	60-7210-0354-048 (LH) 60-7210-0364-048 (RH)	Latch Assembly 7210M, 7210MF (Must Specify Hand)
2	60-7010-X069-FIN Not Available	Cover 7210M 7210MF 
3	03-0080-5047-FIN	Sex Nut Pack (4) Fire Rated Only
23	81-9500-1549-FIN	Screw Packet, Cover #8-32 x 5/16" UFPHMS (5)
32	60-7010-X040-FIN	Cover, Top & Bottom Latches (2)
33	60-7010-0049-999 60-7010-0050-999	Top Latch 7210M 7210MF
34	81-9500-1512-000 60-7110-1038-048 60-7010-1039-048 60-7010-1067-048 99-9999-4308-999 60-7000-1150-999 60-7020-1073-029 60-7020-0050-000 81-9500-1546-000 81-9500-1454-200	SVR Pack Consists of the following: Top Mtg. Plate Bottom Mtg. Plate Top Rod Connector Rod Connecting Pin (2) Drill Jig Floor Bolt Bottom Strike Latch Mounting Screw Pack 791 Top Strike Packet
35	60-7010-0054-000 60-7010-0053-000	Bottom Bolt Case 7210M 7210MF
36	60-7010-X052-FIN	Top Rod
37	60-7010-0020-FIN	Bottom Rod Assembly
39	81-9500-1514-FIN 60-7010-9050-999 60-7010-7051-FIN 81-3110-0412-058 81-3115-0308-FIN 81-0011-0404-FIN	Rod Guide Packet Consists of the following: Guide, Rod (1) Cover, Rod Guide (1) Screw, #8 X 1/2" PRHMS (2) Screw, Rod Guide Cover Screw, #8-32 x 1/4" PFHUMS (2)

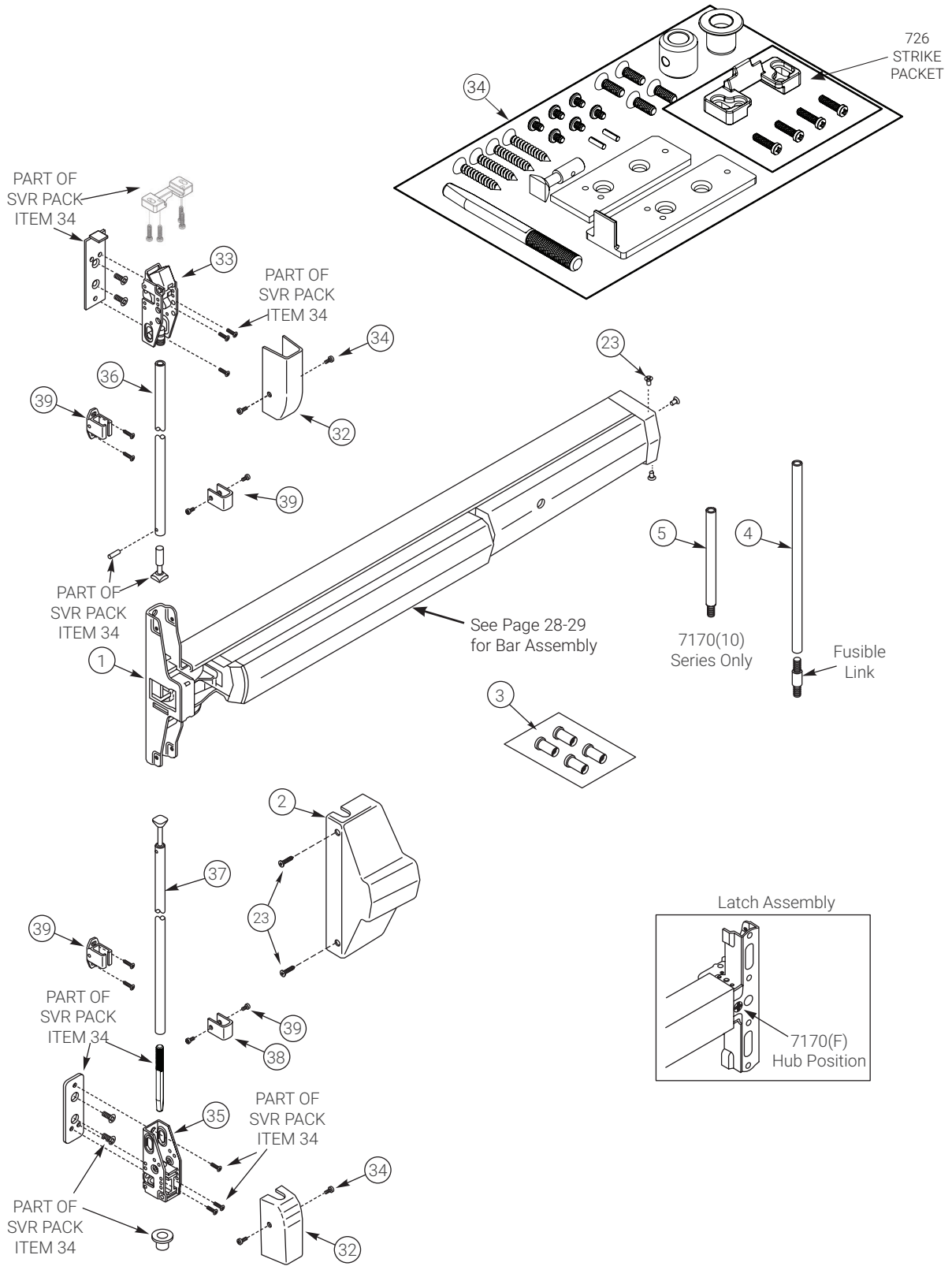
7210M/7210MF SURFACE VERTICAL ROD



7170/7170F SURFACE VERTICAL ROD

Item	Part No.	Description
1	60-7010-0360-048 (LH) 60-7010-0365-048 (RH)	Latch Assembly 7170, 7170F (Must Specify Hand)
2	60-7110-X003-FIN Not Available	Cover 7170 7170F 
3	03-0080-5047-FIN	Sex Nut Pack (4) (Fire Rated Only)
4	60-1510-0281-FIN	Rod Extension Assy., 24" (-9 & -10 Device)
5	60-1510-0278-FIN	Rod Extension Assy., 12" (-8 & -10 Device)
23	81-9500-1549-FIN	Screw Packet, Cover #8-32 x 5/16" UFPHMS (5)
32	60-7010-X040-FIN	Cover, Top & Bottom Latches (2)
33	60-7010-0049-999 60-7010-0050-999	Top Latch 7170 7170F
34	81-9500-1610-000 60-7110-1005-048 60-7010-1039-048 60-7010-1067-048 99-9999-4308-999 60-7000-1150-999 60-7020-1073-029 60-7020-0050-000 81-9500-1546-000 81-9500-1576-000	SVR Pack Consists of the following: Top Mtg. Plate Bottom Mtg. Plate Top Rod Connector Rod Connecting Pin (2) Drill Jig Floor Bolt Bottom Strike Latch Mounting Screw Pack 726 Top Strike Packet
35	60-7010-0054-000 60-7010-0053-000	Bottom Bolt Case 7170 7170F
36	60-7010-X052-FIN	Top Rod
37	60-7010-0020-FIN	Bottom Rod Assembly
39	81-9500-1514-FIN 60-7010-9050-999 60-7010-7051-FIN 81-3110-0412-058 81-3115-0308-FIN 81-0011-0404-FIN	Rod Guide Packet Consists of the following: Guide, Rod (1) Cover, Rod Guide (1) Screw, #8 X 1/2" PRHMS (2) Screw, Rod Guide Cover Screw, #8-32 x 1/4" PFHUMS (2)

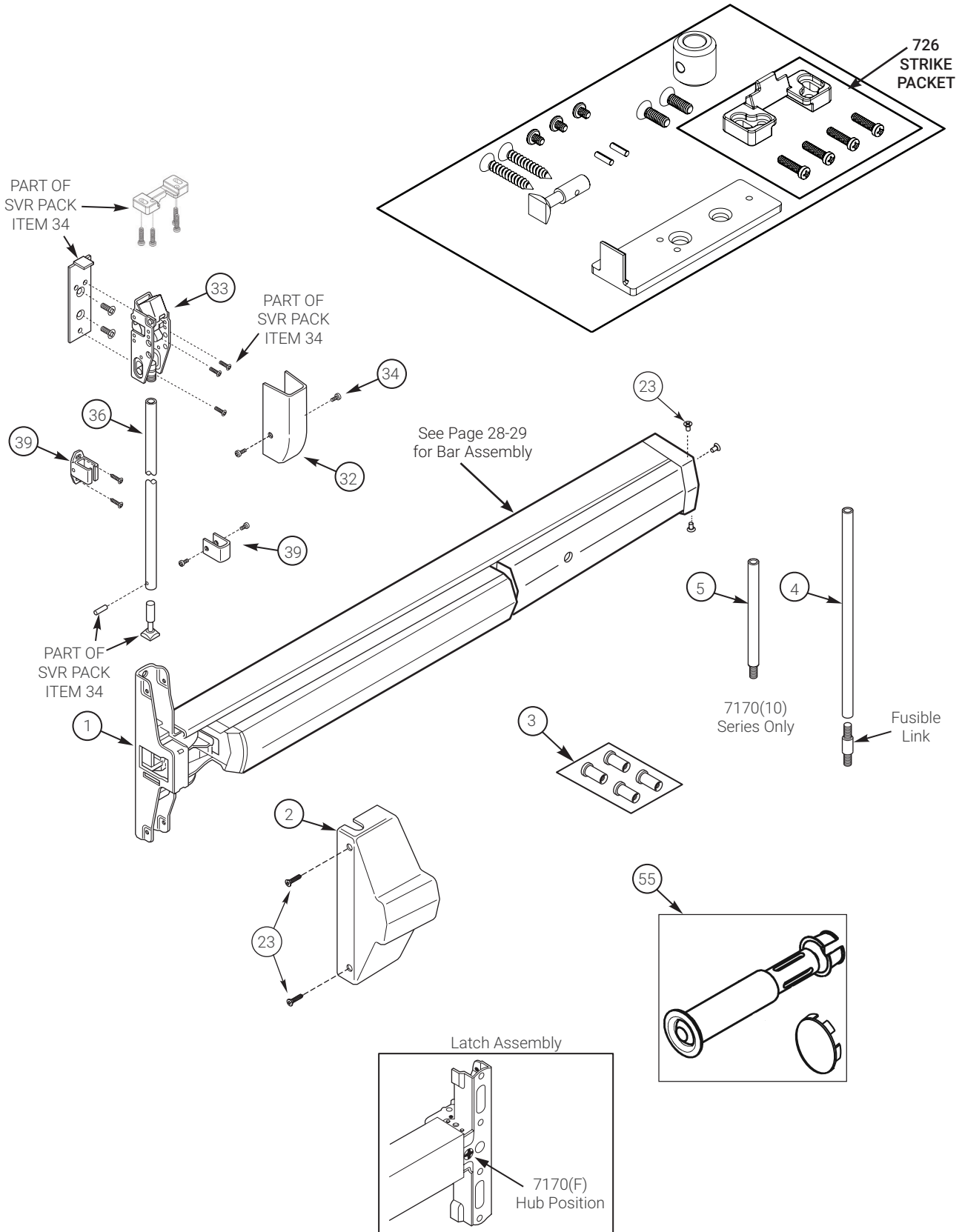
7170/7170F SURFACE VERTICAL ROD




**7170/7170F LBR SURFACE VERTICAL ROD
(LESS BOTTOM ROD)**

Item	Part No.	Description
1	60-7010-0360-048 (LH) 60-7010-0365-048 (RH)	Latch Assembly 7170, 7170F (Must Specify Hand)
2	60-7110-X003-FIN Not Available	Cover 7170 7170F (UL)
3	03-0080-5047-FIN	Sex Nut Pack (4), Fire Only
4	60-1510-0281-FIN	Rod Extension Assy., 24" (-9 & -10 Device)
5	60-1510-0278-FIN	Rod Extension Assy., 12" (-8 & -10 Device)
23	81-9500-1549-FIN	Screw Packet, Cover #8-32 x 5/16" UFPHMS (5)
32	60-7010-X040-FIN	Cover, Top & Latch
33	60-7010-0050-999	Top Latch, 7170(F)
34	81-9500-1562-000 60-7110-1005-048 60-7010-1067-048 99-9999-4308-999 60-7000-1150-999 81-9500-1613-000 81-9500-1576-000	SVR Pack Consists of the following: Top Mtg. Plate Top Rod Connector Rod Connecting Pin (2) Drill Jig Latch Mounting Screw Pack 726 Top Strike Packet
36	60-7010-X052-FIN	Top Rod
39	81-9500-1514-FIN 60-7010-9050-999 60-7010-7051-FIN 81-3110-0412-058 81-3115-0308-FIN 81-0011-0404-FIN	Rod Guide Packet Consists of the following: Guide, Rod (1) Cover, Rod Guide (1) Screw, #8 X 1/2" PRHMS (2) Screw, Rod Guide Cover Screw, #8-32 x 1/4" PFHUMS (2)
55	60-7110-0002-999	Popper Packet [Fire Rated (F) Only]

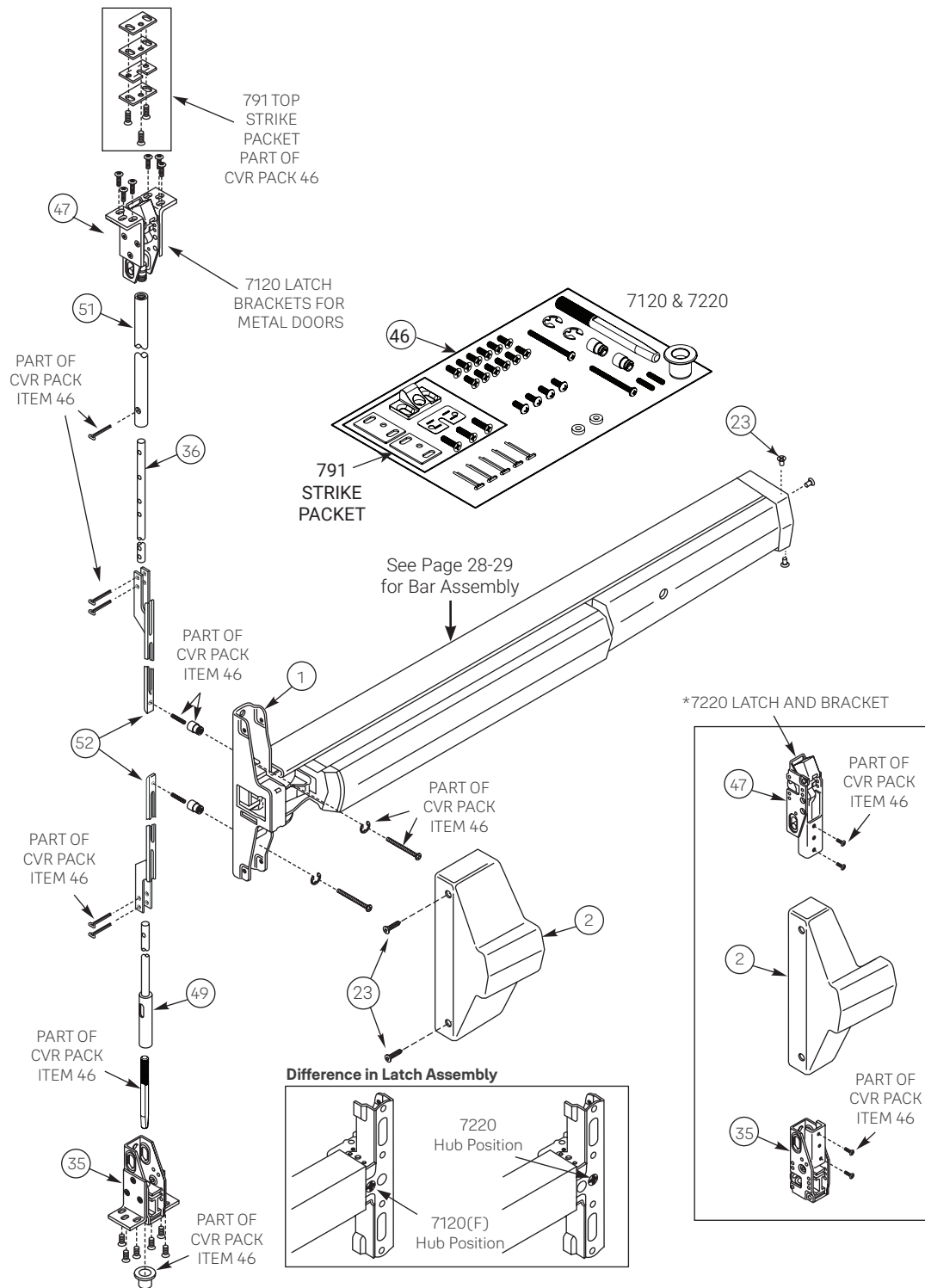
**7170/7170F LBR SURFACE VERTICAL ROD
(LESS BOTTOM ROD)**





7120/7120F/7220 CONCEALED VERTICAL ROD

Item	Part No.	Description
1	60-7020-0360-048 (LH) 60-7020-0365-048 (RH) 60-7220-0354-048 (LH) 60-7220-0364-048 (RH)	Latch Case Assembly 7120, 7120F (Must Specify Hand) 7220 (Must Specify Hand)
2	60-7100-X025-FIN Not Available 60-7000-X353-FIN	Cover, Latch Assembly 7120 7120F  7220
23	81-9500-1549-FIN	Screw Packet, Cover #8-32 x 5/16" UFPHMS (5)
35	60-7020-0058-048 60-7020-0055-048 60-7220-0065-048	Bottom Bolt Case 7120 7120F 7220
36	60-7220-1019-059	Top Rod
46	81-9500-1456-000 60-7020-1073-029 60-7020-0050-000 81-9500-1454-200 60-7120-1047-048 60-7140-1026-059 60-7020-1064-059 99-9958-0045-999 99-9999-4526-999 81-0014-0430-036 81-9500-1548-058	CVR Pack for 7120 & 7220 Consists of the following: Floor Bolt Bottom Strike 791 Top Strike Packet Pin, Rod Yoke (2) Set Screw, Yoke Pin (2) Yoke Pin Shim (2) Cotter Pin (5) Ring, Retaining (2) 2" Temp Screw (2) Screw Pack
47	60-7020-0057-000 60-7020-0060-000 60-7220-0066-048	Top Latch & Bracket Assembly 7120 7120F 7220
49	60-7020-0056-048	Bottom Rod & Coupler Assembly
51	60-7220-7025-000	Top Rod Tube
52	60-7220-0030-999	Arm & Bracket Assy (2)

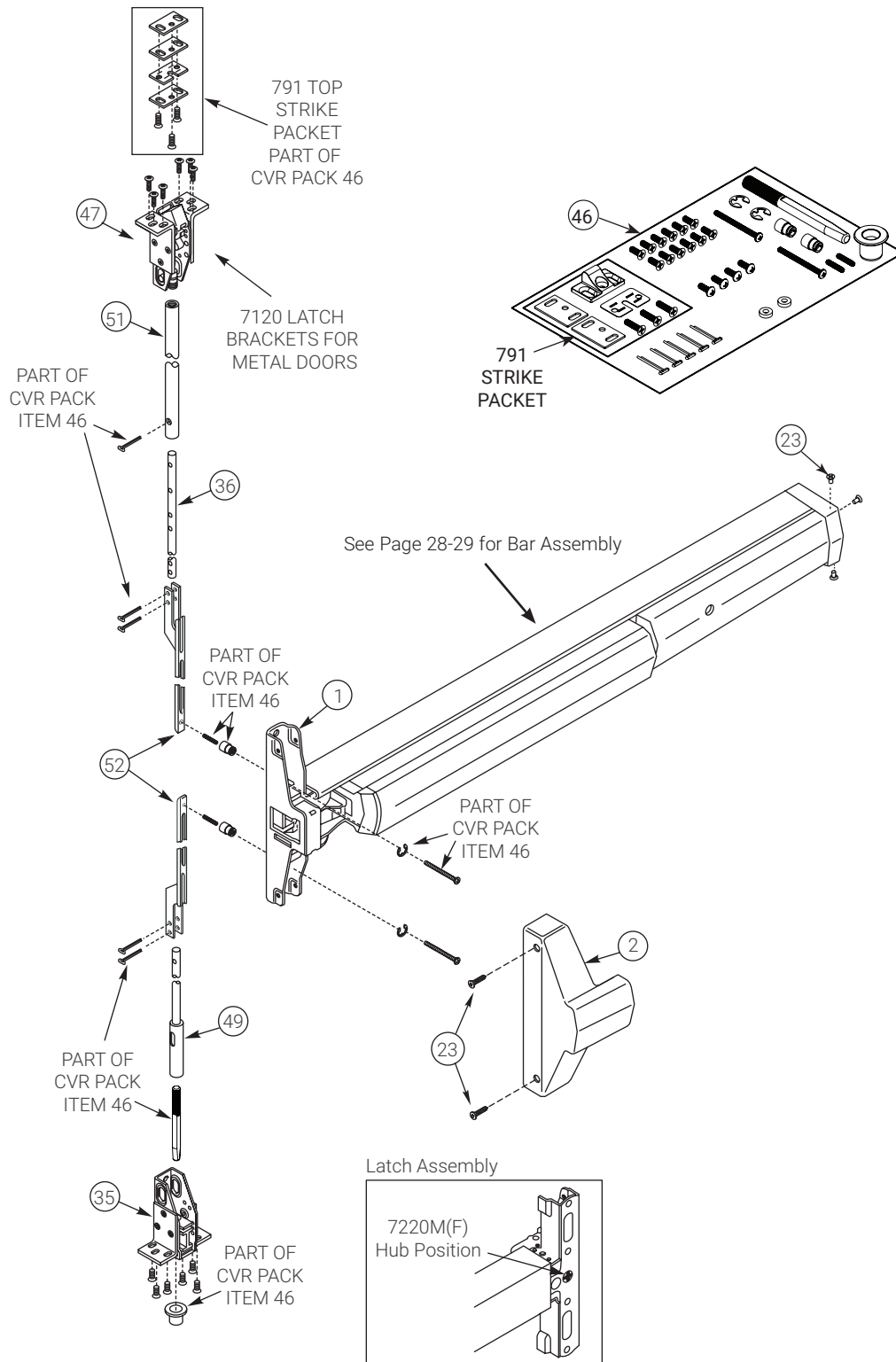
7120/7120F/7220* CONCEALED VERTICAL ROD



7220M/7220MF CONCEALED VERTICAL ROD

Item	Part No.	Description
1	60-7220-0354-048 (LH) 60-7220-0364-048 (RH)	Latch Assembly 7220M, 7220MF (Must Specify Hand)
2	60-7000-X353-FIN Not Available	Cover, Latch Assembly 7220M 7220MF 
23	81-9500-1549-FIN	Screw Packet, Cover #8-32 x 5/16" UFPHMS (5)
35	60-7020-0058-048 60-7020-0055-048	Bottom Bolt Case 7220M 7220MF 
36	60-7220-1019-059	Top Rod
46	81-9500-1456-000 60-7020-1073-029 60-7020-0050-000 81-9500-1454-200 60-7120-1047-048 60-7140-1026-059 60-7020-1064-059 99-9958-0045-999 99-9999-4526-999 81-9500-1548-058 81-0014-0430-036	CVR Pack Consists of the following: Floor Bolt Bottom Strike 791 Top Strike Packet Pin, Rod Yoke (2) Set Screw, Yoke Pin (2) Yoke Pin Shim (2) Cotter Pin (5) Ring, Retaining (2) Screw Pack 2" Temp Screw (2)
47	60-7020-0057-000 60-7020-0060-000	Top Latch & Bracket Assembly 7220M 7220MF
49	60-7020-0056-048	Bottom Rod & Coupler Assembly
51	60-7220-7025-000	Top Rod Tube
52	60-7220-0030-999	Arm & Bracket Assy (2)

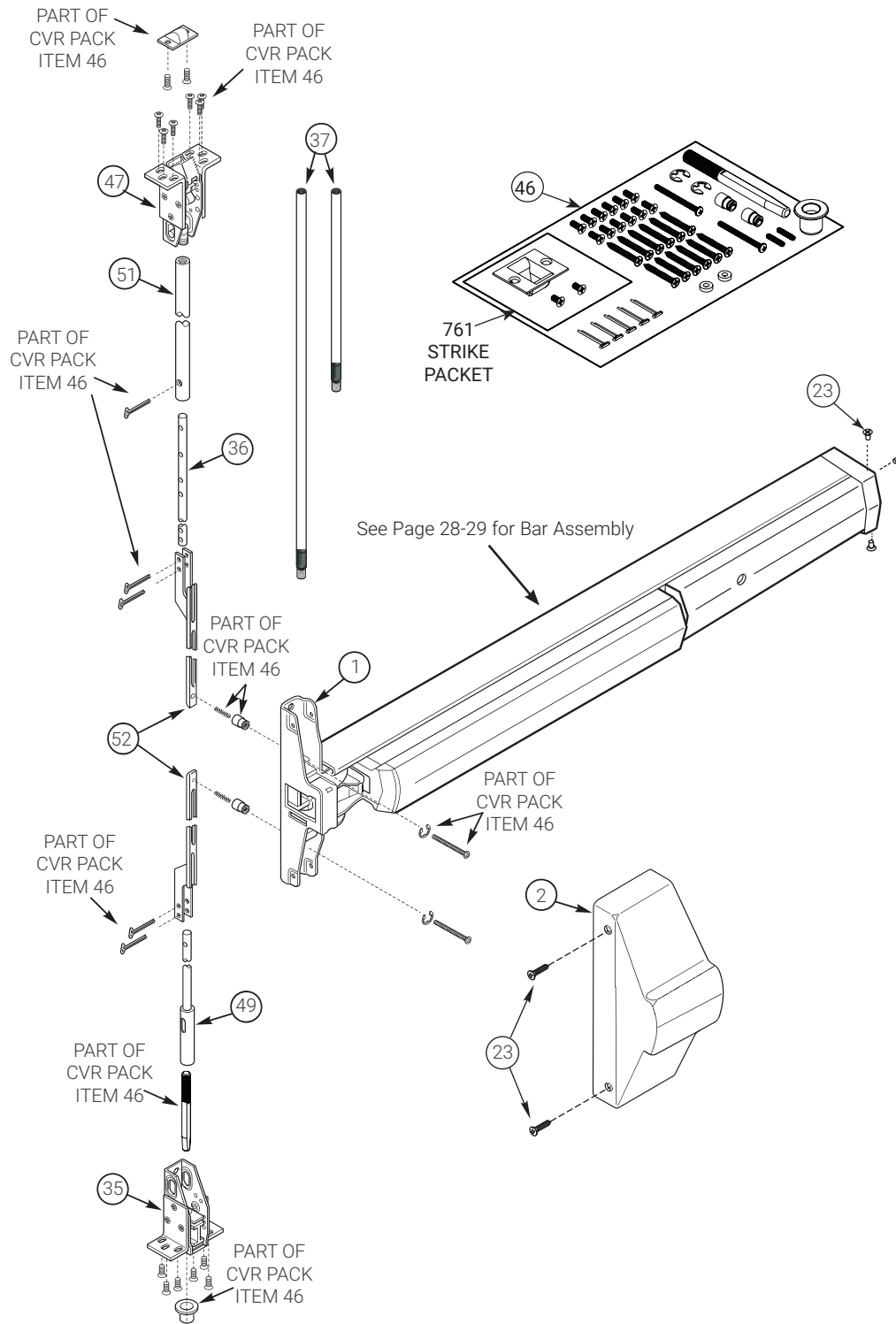
7220M/7220MF CONCEALED VERTICAL ROD



7160/7160F CONCEALED VERTICAL ROD

Item	Part No.	Description
1	60-7020-0360-048 (LH) 60-7020-0365-048 (RH)	Latch Case Assembly 7160, 7160F (Specify Hand)
2	60-7100-X025-FIN Not Available	Cover, Latch Assembly 7160 7160F 
23	81-9500-1549-FIN	Screw Packet, Cover #8-32 x 5/16" UFPHMS (5)
35	60-7020-0055-048	Bottom Bolt Case, 7160F
36	60-7220-1019-059	Top Rod
37	60-1510-0282-000 60-1510-0281-000	Rod Extension Assembly 12" Rod Assembly (-9 Device) 24" Rod Assembly (-10 Device)
46	81-9500-1581-000 60-7020-1073-029 60-7020-0050-000 81-9500-1696-000 60-7120-1047-048 60-7140-1026-059 60-7020-1064-059 99-9958-0045-999 99-9999-4526-999 81-9500-1580-058 81-0014-0430-036	CVR Pack Consists of the following: Floor Bolt Bottom Strike 761 Top Strike Packet Pin, Rod Yoke (2) Set Screw, Yoke Pin (2) Yoke Pin Spacer (2) Cotter Pin (5) Ring, Retaining (2) Screw Pack 2" Temp Screw (2)
47	60-7160-0060-000	Top Latch & Bracket Assembly, 7160(F)
49	60-7020-0056-048	Bottom Rod & Coupler Assembly
51	60-7220-7025-000	Top Rod Tube
52	60-7220-0030-999	Arm & Bracket Assy. (2)

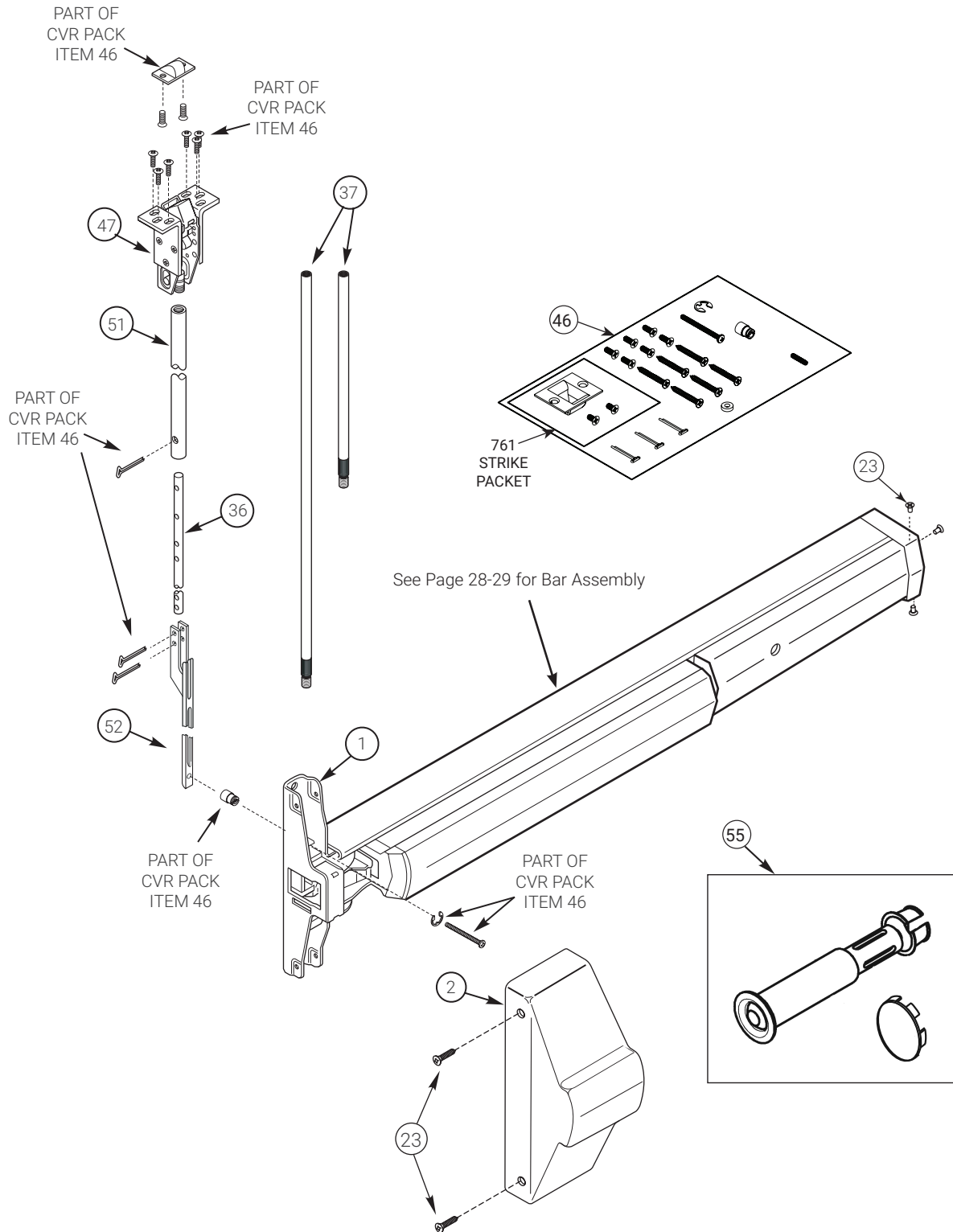
7160/7160F CONCEALED VERTICAL ROD



7160/7160F LBR CONCEALED VERTICAL ROD (LESS BOTTOM ROD)

Item	Part No.	Description
1	60-7020-0360-048 (LH) 60-7020-0365-048 (RH)	Latch Case Assembly 7160, 7160F (Specify Hand)
2	60-7100-X025-FIN Not Available	Cover, Latch Assembly 7160 7160F (UL)
23	81-9500-1549-FIN	Screw Packet, Cover #8-32 x 5/16" UFPHMS (5)
36	60-7220-1019-059	Top Rod
37	60-1510-0282-000 60-1510-0281-000	Rod Extension Assembly 12" Rod Assembly (-9 Device) 24" Rod Assembly (-10 Device)
46	81-9500-1605-000 81-9500-1696-000 60-7120-1047-048 60-7140-1026-059 60-7020-1064-059 99-9958-0045-999 99-9999-4526-999 91-9500-1606-058 81-0014-0430-036	CVR Pack Consists of the following: 761 Top Strike Packet Pin, Rod Yoke (1) Set Screw, Yoke Pin (1) Yoke Pin Spacer (1) Cotter Pin (3) Ring, Retaining (1) Screw Pack (1) 2" Temp Screw (1)
47	60-7160-0060-000	Top Latch & Bracket Assembly, 7160(F)
51	60-7220-7025-000	Top Rod Tube
52	60-7220-0030-000	Arm & Bracket Assembly (1)
55	60-7110-0002-999	Popper Pack (Fire Rated Only)

**7160/7160F LBR CONCEALED VERTICAL ROD
(LESS BOTTOM ROD)**

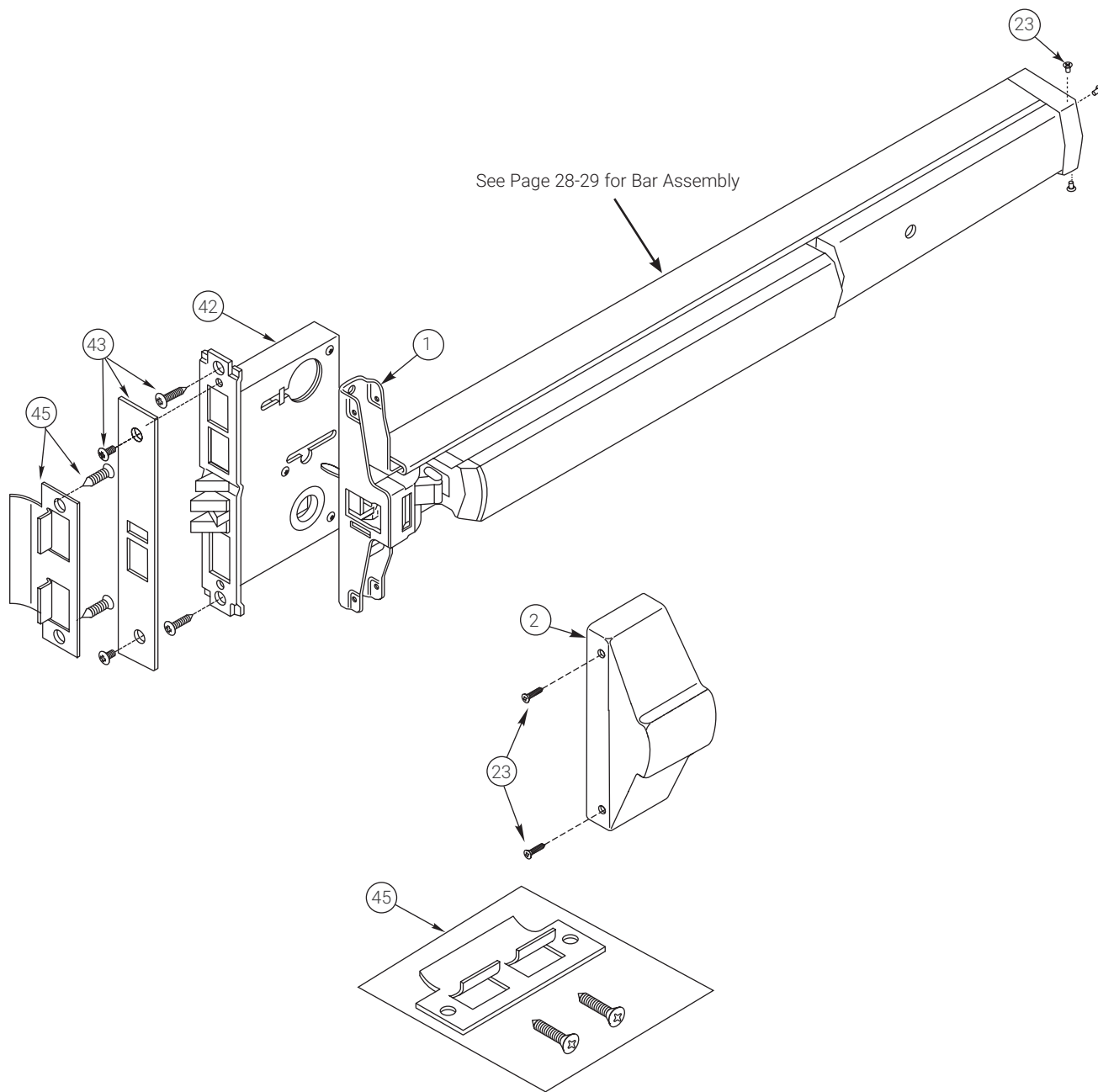


7130/7130F MORTISE

Item	Part No.	Description
1	60-7030-0382-048	Latch Assembly 7130, 7130F
2	60-7100-X025-FIN Not Available	Cover 7130 7130F 
23	81-9500-1549-FIN	Screw Packet, Cover #8-32 x 5/16" UFPHMS (5)
42	60-7030-0385-XXX 60-7030-0473-XXX 60-7030-0391-XXX 60-7030-0393-XXX	Mortise Lock Body Specify Hand* 7130-T8(F) 7130-T5(F) 7130-L5(F) 7130-L8(F)
43	60-0000-1159-FIN 60-7030-7049-FIN 81-9400-0036-FIN	Armored Front and Mounting Pack Consists of the following: Armored Front Screw Pack
45	81-9500-0562-200	798 Strike Packet

*XXX = Specify RHR or LHR

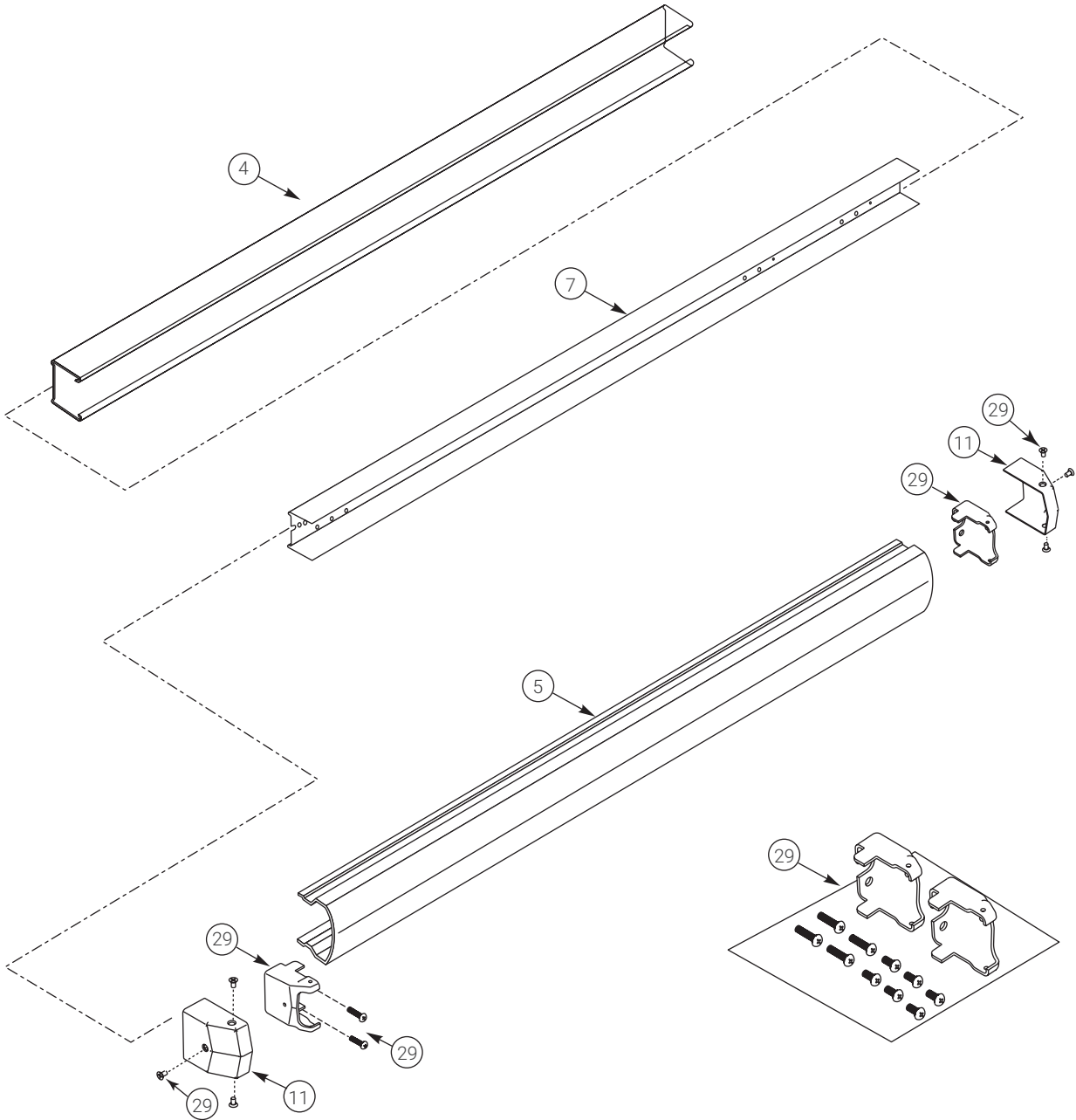
7130/7130F MORTISE



720DB RIGID BAR

Item	Part No.	Description
4	60-7200-X066-FIN	Bottom Rail, 48"
5	60-7200-X068-FIN	Cover
7	60-7000-1336-999	Carrier Bar
11	60-7000-X360-FIN	End Cap
29	81-9500-0613-FIN 60-7000-1423-048 60-7000-1349-048 81-9500-1547-FIN	Device Mounting Pack Consists of the following: End Clamp (2) Screw, 1/4-20 X 1" PPHMS (4) Screw Packet, Cover (2)

720DB RIGID BAR



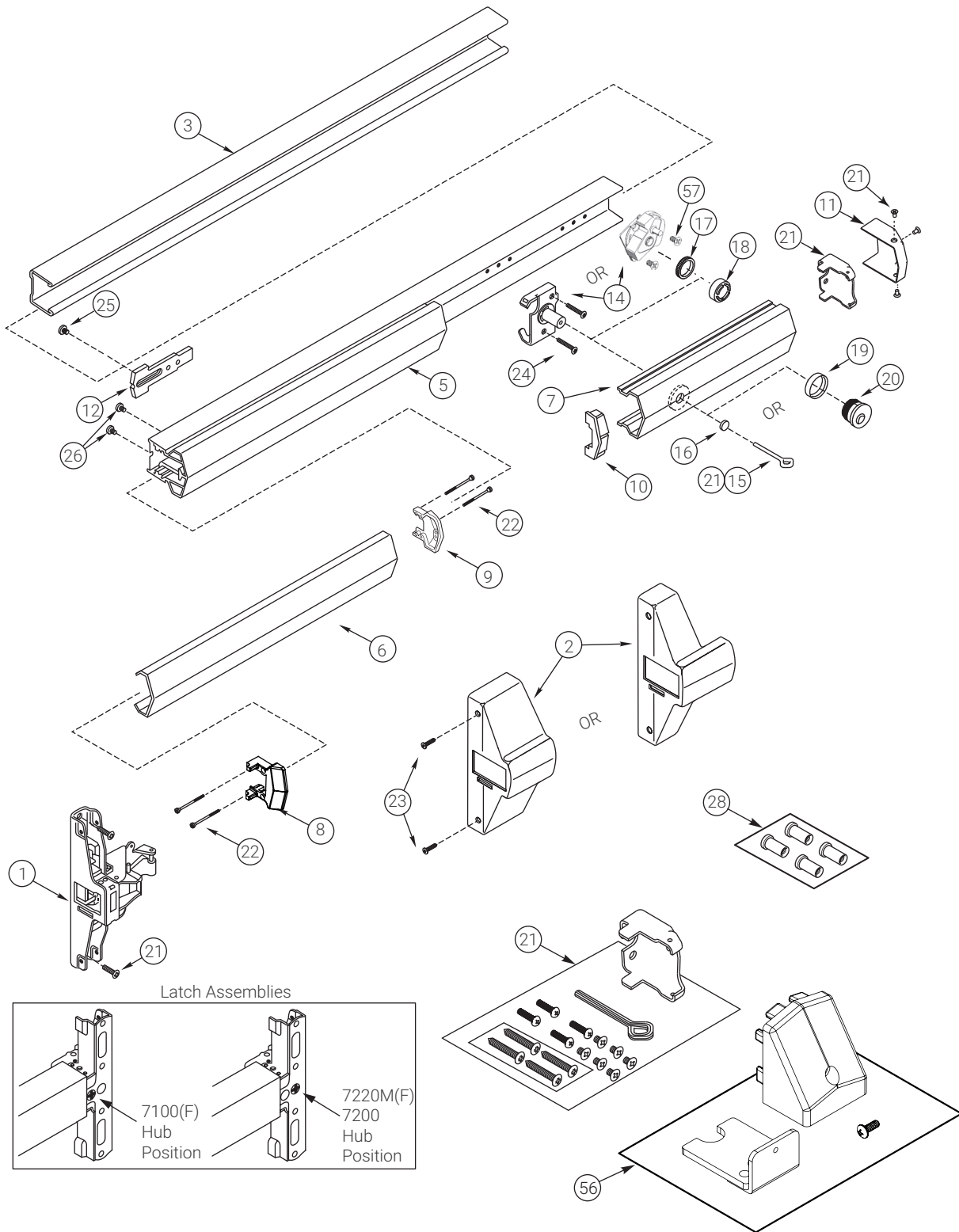
7000 BAR ASSEMBLY

Item	Part No.	Description
1	60-7000-0419-048	Latch Case Assembly (Reversible)
	60-7000-0425-048	Specify Hand
	60-7200-0354-048	7100
	60-7200-0362-048	7100F
	60-7150-0005-048	7200, 7200M
	60-7250-0001-048	7200MF
	60-7010-0360-048 (LH)	7150, 7150F
	60-7010-0365-048 (RH)	7250, 7250M(F)
	60-7210-0354-048 (LH)	7110(F), 7170(F)
	60-7210-0364-048 (RH)	7110(F), 7170(F)
	60-7020-0360-048 (LH)	7210, 7210M(F)
	60-7020-0365-048 (RH)	7210, 7210M(F)
	60-7220-0354-048 (LH)	7120(F), 7160(F)
	60-7220-0364-048 (RH)	7120(F), 7160(F)
60-7030-0382-048	7220, 7220M(F) 7130(F) (Includes Trim Slide)	
2	60-7100-X026-FIN	*Cover, Latch Assembly
	60-7000-X111-FIN	7100
	60-7150-X001-FIN	7200, 7200M
	60-7250-X001-FIN	7150
	60-7110-X003-FIN	7250, 7250M
	60-7010-X069-FIN	7110, 7170
	60-7100-X025-FIN	7210, 7210M
	60-7000-X353-FIN	7120, 7160, 7130 7220, 7220M
3	60-7000-X079-FIN	Bottom Rail
	60-7200-X058-FIN	36" 7100 Series
	60-7200-X066-FIN	36" 7200 Series 48" 7100/7200 Series
5	60-7000-0423-000	Bar & Carrier Assembly
	60-7200-0356-000	36" 7100 Series
	60-7000-0424-000	36" 7200 Series 48" 7100/7200 Series
6	60-7000-X083-FIN	Cover, Bar
	60-7000-X084-FIN	36" 48"
7	60-7000-X359-FIN	Cover, End
	60-7000-X362-FIN	36" std. 7100 Series
	60-7200-X360-FIN	36" 7100 Series Cylinder Dogging
	60-7200-X363-FIN	36" std. 7200 Series
	60-7200-X361-FIN	36" 7200 Series Cylinder Dogging
	60-7200-X364-FIN	All 48" std. All 48" Cylinder Dogging
8	60-7000-8003-200	Touch Pad Cap, Front
9	60-7000-6120-200	Touch Pad Cap, Rear

Item	Part No.	Description	
10	60-7000-9088-999	Bar Cap, Black Nylon	
11	60-7000-X360-FIN	End Cap	
12	60-7200-9216-999	Trim Slide (All except Mortise)	
14	60-7000-7502-999	Dogging Assembly	
	60-7000-0801-999	Standard Hex Key Dog. Cylinder, Dogging	
15	60-7000-1131-036	Dogging Key (5/32" hex)	
16	99-9999-4123-999	Dogging Hole Plug	
17	60-7000-2421-000	Cylinder Nut	
18	60-2000-9153-999	Cylinder Spacer Sleeve	
	19	None Required	Collar, Dogging Cylinder
		10-1765-X001-FIN	1-1/8" Cylinder
10-1765-X013-FIN		1-1/4" Cylinder 1-1/2" Cylinder	
20	As Ordered	Dogging Cylinder (Mortise)	
21	81-9500-0605-FIN	End Clamp Packet	
	60-7000-1423-048	Consists of the following:	
	60-7000-1349-048	End Clamp	
	60-7000-1131-036	Mounting Screws (4)	
	81-9500-1549-FIN	Hex Dogging Key (Except Fire Rated) Cover Screw Packet (1)	
22	60-7000-1391-999	Screw, Touch Bar Caps, Torx Cap #6-32 x 3/4" (4)	
23	81-9500-1549-FIN	Screw Packet, Cover #8-32 x 5/16" FHUM-PH (5)	
24	81-4414-0514-048	Screw, Hex Dogging Assy, #10-24 x 5/8" PHT-T-PN (2)	
25	60-7000-1360-999	Screw, Trim Slide, #8-32 x 1/2" FHT-PH	
26	81-4014-0404-048	Screw, Latch Head to Carrier, #8-32 x 1/4" PHTC-PH (2)	
28	03-0080-5047-FIN	Sex Nut Packet (4) Fire-rated Devices incl.	
56	81-9500-0620-FIN	Flush End Cap Kit	
57	81-4011-0558-048	Screw, Cylinder Dogging Assy, #10-32 x 3/8" FH-PH	

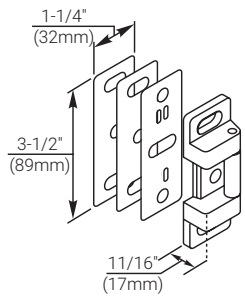
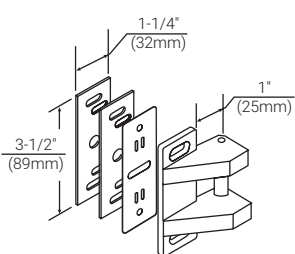
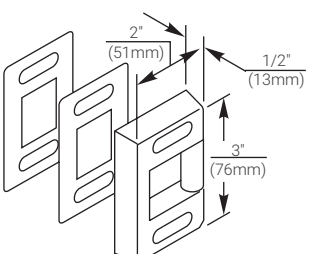
*Covers which bare the UL Listing mark for Fire-Rating cannot be shipped with that marking. Therefore, covers for Fire-Rated Latch Case Assemblies are not available.

7000 BAR ASSEMBLY

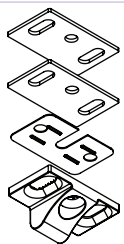
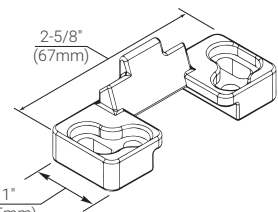
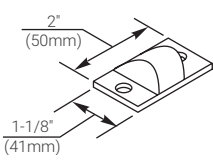
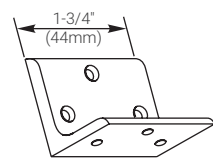
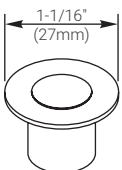
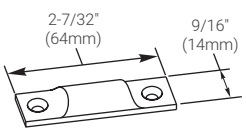
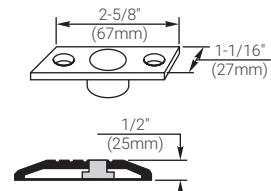


STRIKES

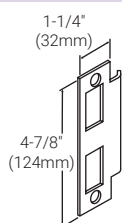
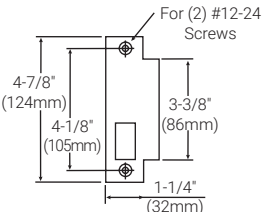
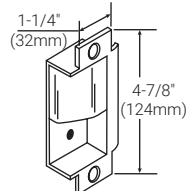
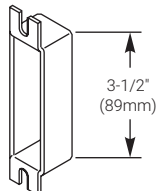
Rim Devices

 <p>757F Standard 7100(F), 7150(F), 7200M(F), 7250M(F)</p>	 <p>793 Optional strike for double door applications without a mullion on 7100, 7150, 7200M, 7250M</p>	 <p>759 Standard 7200, 7250</p>
--	--	---

Vertical Rod Devices

 <p>791 Standard 7110, 7120 Top</p>	 <p>726 Standard 7170 Top</p>	 <p>761 Standard 7160 Top</p>	 <p>797 Bracket for SVR Top Strike in Flush Transom Opening</p>
 <p>790 Standard Bottom Strike All Vertical Rod Devices</p>	 <p>702 Floor Strike for Bottom Pullman Latch Option</p>	 <p>794 Optional Floor Strike for fire openings using saddle threshold, or flush floor mount. Must use for fire openings with thresholds.</p>	

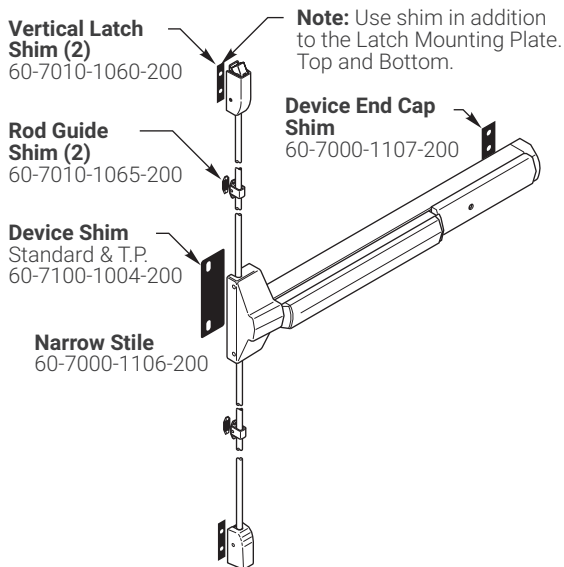
Mortise Devices

 <p>798 Standard All Mortise (Non-Handed)</p>	 <p>712 Optional flat lip ANSI strike used with 6130 devices for pairs of doors with astragals. (7/8\" lip)</p>	 <p>718 Open Back Strike for Door Pair When Code Allows Use</p>	 <p>202 Standard Box for ANSI Prep</p>
---	---	--	--

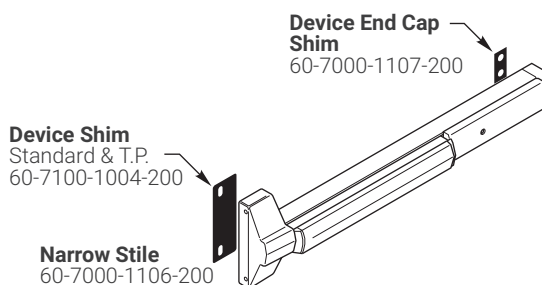
ACCESSORIES

Shim Kits

**724, 724NS
For Surface Vertical Rod Exit Device**



**723, 723NS
For Rim, Mortise, and CVR Exit Device**

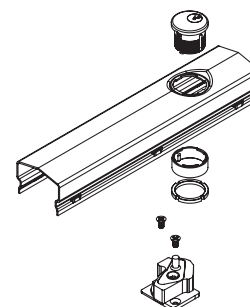


Cylinder Dogging Kits

Designed to convert a panic device from hex key dogging to cylinder dogging.

Not permitted on fire-rated devices.

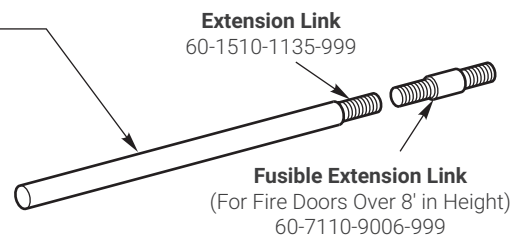
Bar Length	Part Number
36"	60-7000-0426-FIN
36" NS	60-7200-0358-FIN
48"	60-7000-0427-FIN



Surface and Concealed Vertical Rod Extension Kits

Used to extend the height of standard length rods for 7110(F)(8' max), 7120, 7160(F), 7170(F), and 7210 Series exit devices.

Rod Extension Assembly	
2"	60-1510-0280-FIN (Panic)
6"	60-1510-0277-FIN (Panic)
12"	60-1510-0278-FIN (Panic)
12"	60-1510-0282-FIN (Fire-Rated)
24"	60-1510-0281-FIN (Fire-Rated)



Optional Vertical Latches

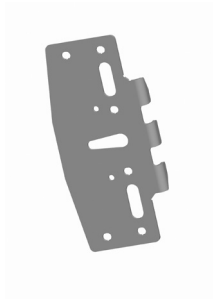


ACCESSORIES

Anti-Pry Bracket

Model number: 725

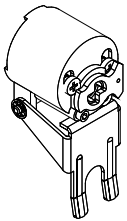
Offers increased security by improving resistance against jamb spreading during a pry attack. When the door is in the closed position, the Anti-Pry Bracket interlocks in position between the exit device strike and frame preventing the strike and exit device latch from being separated.



RETROFIT KITS

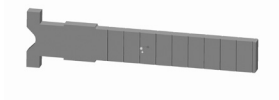
Schlage® Cam and Housing Assembly

Part Number: 60-7000-0815



Von Duprin® Tailpiece

Part Number: 34-1145-1005-048



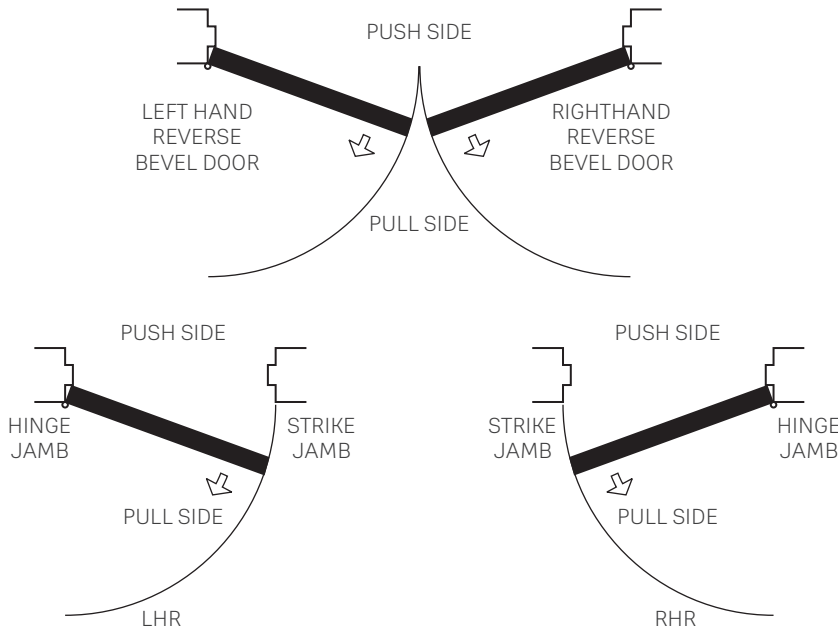
HANDING INSTRUCTIONS

Handing

Left Hand Reverse: Hinges on left, opens outward. For handed devices, specify LHR.

Right Hand Reverse: Hinges on right, opens outward. For handed devices, specify RHR.

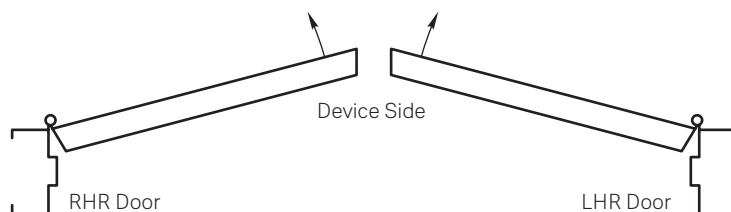
Note: Doors with Panic-Exit and Fire Exit hardware must open out. Therefore, hands must be reverse bevel.



Rim Devices

7100(F), 7150(F), 7200(F) Series

These devices are non-handed.

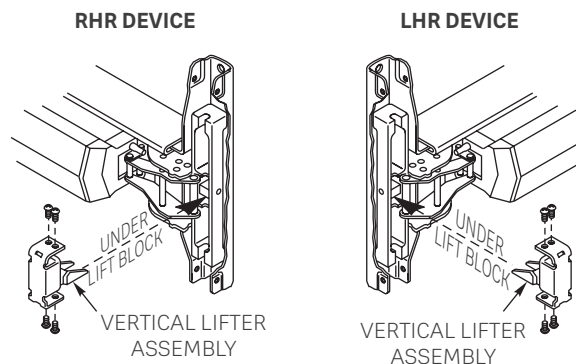


Vertical Rod Devices, Surface and Concealed

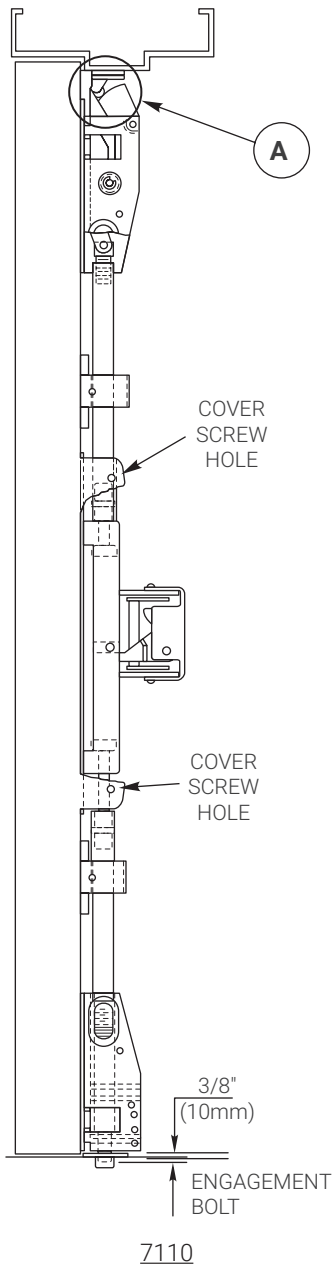
7110(F), 7120(F), 7160(F), 7170(F), 7210(F), 7220 Series

Remove four screws and vertical lifter assembly. Turn device to opposite (180 degrees) orientation, insert lifter assembly and reinstall screws.

NOTE: Lifter must fit under lift block as shown.



SURFACE VERTICAL ROD EXIT DEVICES



If top latch does not engage properly, check alignment. When locked, latch bolt should not be preloaded by strike (**Area A**). Shim or reposition strike if necessary.

Bolts extend automatically when door closes and top strike hits tripping lever. Top bolt should retract flat. Bottom bolt should travel 1/2" and engage 3/8" into strike in down position, without dragging on floor surface in up position.

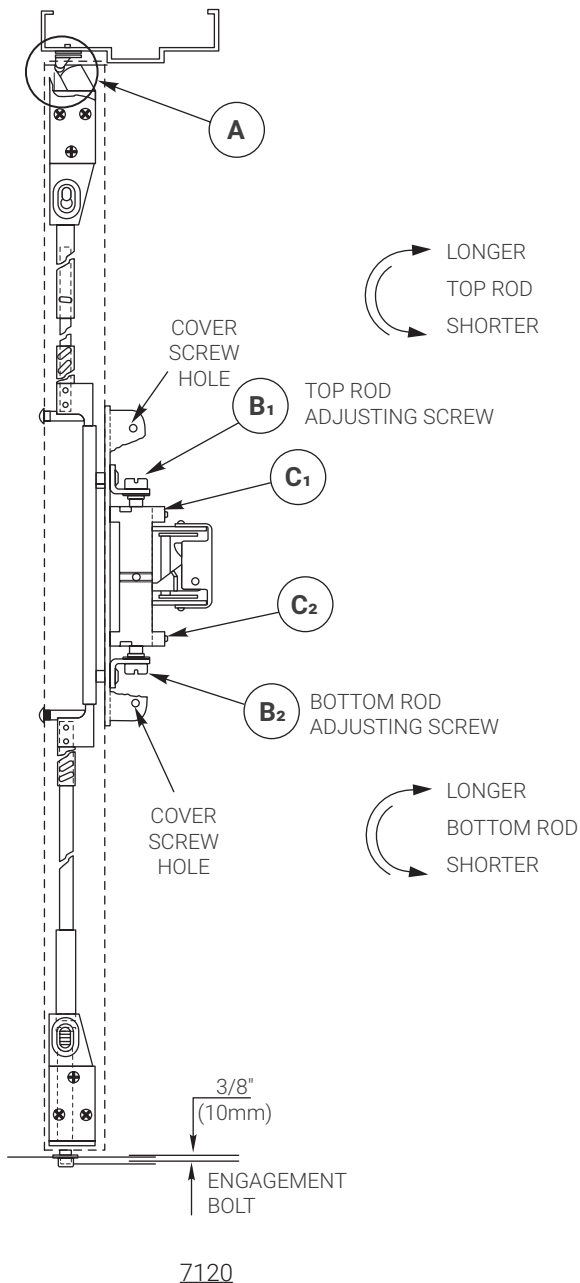
Rod Adjustment

1. Remove active case cover screws and cover.
2. Remove rod guide cover screws and rod guide covers. Tilt rods, top and bottom, out of engagement in active case and out of rod guides.
3. **Adjust top rod first.** Push up on top rod to fully retract top latch with hold back feature engaged. With device in dogged position (panic devices) or touchbar fully depressed (fire devices), adjust top rod so that the square head of the rod connector slides into engagement in the active case. Shorten rod an additional 1/2 turn.
4. **Adjust bottom rod.** With top rod engaged, top latch retracted in hold back position, and touch bar dogged or fully depressed, adjust bottom rod so that the deadbolt clears the strike by 1/16". The bottom rod should be in position in the active case with the square head of the connector hanging in the slide.
5. **Check device operation** by opening and closing the door. When present, operate the device with the outside trim. An additional minor adjustment may be required for full retraction and correct strike engagement.
6. Reinstall the rod guide covers and the active case cover.

Maintenance

1. Periodically remove covers and coat mechanisms with an appropriate lubricant. This is regularly required in corrosive environments for proper product operation.
2. Check mounting fasteners periodically. Retighten if found loose. Apply screw locking compound or change part fasteners if screws continue to back out.
3. Periodic checks and adjustments of rods may be required to compensate for door or frame sag.

CONCEALED VERTICAL ROD EXIT DEVICES



Rods should move freely inside door. Bolts extend automatically when door closes and top strike is tripped. Top bolt should retract flat. Bottom bolt should travel 1/2" and engage 3/8" into strike in down position, without dragging on floor surface in up position.

If top latch does not engage properly check alignment. When locked, latch bolt should not be preloaded by strike (**Area A**). Shim or reposition strike if necessary.

Rod Adjustment for Bolt Throw

1. Remove Latch assembly cover screws and cover.
2. Use 3/32" Allen wrench to loosen set screws **C₁** and **C₂**.
3. Adjusting screws **B₁** and **B₂** only provide fine rod adjustment. If screws bottom out before proper device operation, door and device must be removed. Larger adjustments may then be made either by threading rod in or out, or by moving cotter pin to different hole in rod.
4. **Adjust top rod first.** With device in dogged position (panic devices) or touchbar fully depressed (fire devices), adjust top rod so that the top latchbolt is flush and the hold back feature is engaged. Lengthen top rod an additional 1/2 turn.
5. **Adjust bottom rod.** With top latch retracted in hold back position, and touch bar dogged or fully depressed, adjust bottom rod so that the deadbolt clears the strike by 1/16". The bottom rod should be in position in the active case with the square head of the connector hanging in the slide.
6. **Check device operation** by opening and closing the door. When present, operate the device with the outside trim. An additional minor adjustment may be required for full retraction and correct strike engagement.
7. When finished, lock adjusting screws in place with Allen set screws.

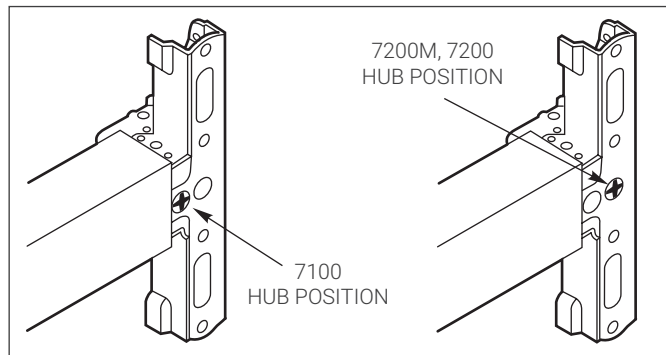
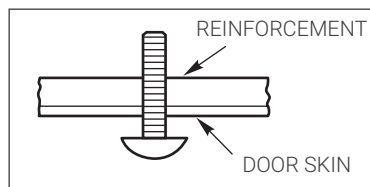
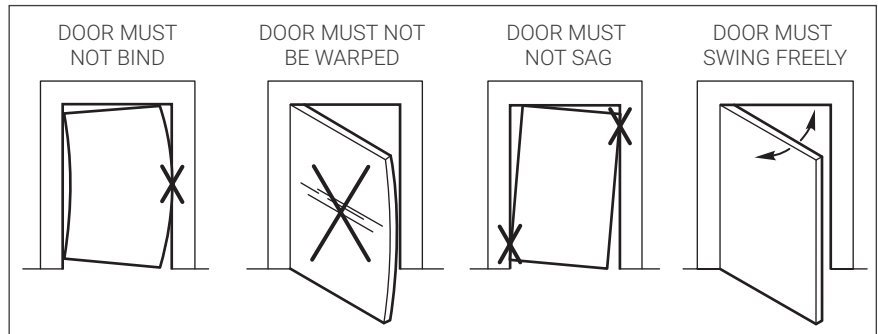
Caution: To avoid thread damage and provide positive locking, be sure Allen set screws engage flats on adjusting screws.

Maintenance

1. Periodically remove covers and coat exposed mechanisms with an appropriate lubricant. This is regularly required in corrosive environments for proper product operation.
2. Check mounting fasteners periodically. Retighten if found loose. Apply screw locking compound or change part fasteners if screws continue to back out.
3. Periodic checks and adjustments of rods may be required to compensate for door or frame sag.

TROUBLESHOOTING GUIDE

1. Many problems with the operation of exit devices are caused by factors other than the device itself. Among the most common is a misalignment or an improper fit of the door within the frame.
2. Another common source of problems is improper installation. Even if all cutouts and screw holes are properly located, exit devices must be securely fastened to properly reinforced doors. Hollow doors and frames with a structural thickness (metal skin plus reinforcement, or solid hardwood) must have at least three full screw threads to be considered reinforced.
3. Most problems with dogging occur on vertical rod devices. When the dogging function is hard to engage or will not work at all, the rods may be incorrectly adjusted allowing the mechanism to bottom out. Readjust rods per the device instructions or as outlined on the previous pages.



DIFFERENCE IN ACTIVE HEADS

NOTES

ACCENTRA

ASSA ABLOY

The ASSA ABLOY Group is the global leader in access solutions. Every day, we help billions of people experience a more open world.

ASSA ABLOY Opening Solutions leads the development within door openings and products for access solutions in homes, businesses and institutions. Our offering includes doors, frames, door and window hardware, mechanical and smart locks, access control and service.

TECHNICAL SUPPORT

(troubleshooting, product use and application, returns)

Tel: 855-557-5078

Email: techsupport.accentra@assaabloy.com

CUSTOMER SUPPORT

(orders, product configuration, pricing, lead-time)

Tel: 855-557-5078 x2

Email: Customerservice.Accentra@assaabloy.com

 **WARNING**

This product can expose you to lead which is known to the state of California to cause cancer and birth defects or other reproductive harm. For more information go to www.P65warnings.ca.gov.

U.S.A.:

ASSA ABLOY ACCENTRA™

225 Episcopal Road
Berlin, CT 06037-4004

Tel: 1-800-438-1951

Fax: 1-800-338-0965

www.accentra-assaabloy.com

Canada:

ASSA ABLOY Door Security Solutions Canada

160 Four Valley Drive
Vaughan, Ontario L4K 4T9

Tel: 1-800-461-3007

Fax: 1-800-461-8989

assaabloydss.ca

International:

ASSA ABLOY Americas International

Tel: 1-905-821-7775

Fax: 1-905-821-1429

assaabloyai.com