

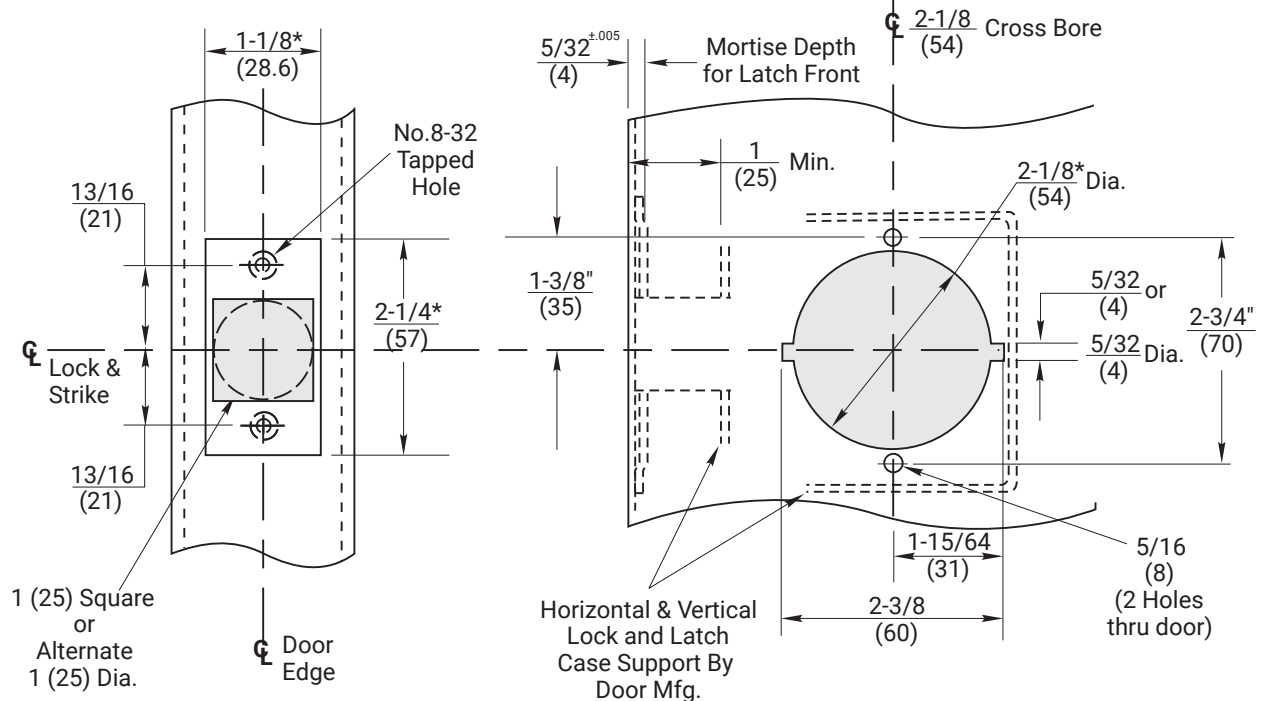
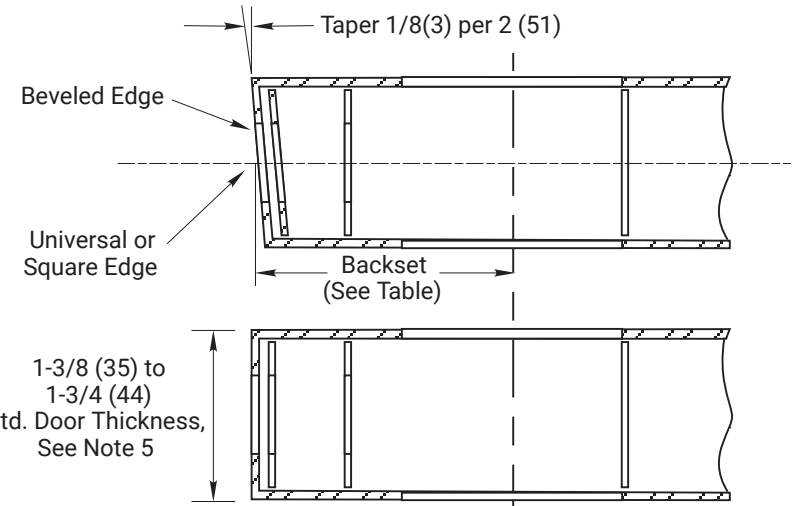
### 4700LN SERIES Lever Locks

Latch Mdl #	Type	Front	Backset	Throw	Latch Dia.
693	Plain	Bevel	2-3/4(70)	1/2(13)	1(25)
694	Deadlocking	Bevel	2-3/4(70)	1/2(13)	1(25)
F693	Plain	Flat	2-3/4(70)	1/2(13)	1(25)
F694	Deadlocking	Flat	2-3/4(70)	1/2(13)	1(25)
3693	Plain	Bevel	3-3/4(95)	1/2(13)	1(25)
3694	Deadlocking	Bevel	3-3/4(95)	1/2(13)	1(25)
480B	Deadlocking	Bevel	2-3/4(70)	3/4(19)	1(25)
3480B	Deadlocking	Bevel	3-3/4(95)	3/4(19)	1(25)
F480B	Deadlocking	Flat	2-3/4(70)	3/4(19)	1(25)

#### Notes:

1. When 4-7/8" (123.8) Strike is specified, refer to No. 497 Strike, Template No. 7102-0003.
2. When T-Strike is specified, refer to No. 371 Strike, Template 7102-0005.
3. Dimensions marked with \* have tolerances of +.015, -0.000
4. All dimensions given in inches (mm).
5. Standard Locks adjustable for 1-3/8(35) to 1-3/4(44) door thicknesss.

DO NOT SCALE



Experience a safer  
and more open world

Copyright © 2010, 2023, 2024, ASSA ABLOY Access and Egress Hardware Group, Inc. All rights reserved. Reproduction in whole or in part without the express written permission of ASSA ABLOY Access and Egress Hardware Group, Inc. is prohibited.

**4700LN Series Lever Handle Cylindrical Locks - 1-1/8" Wide**  
**Front H.M. Door Preparation (See ANSI/BHMA A156.115)**

2-3/4" or 3-3/4" Backsets

1-855-557-5078 Ext. 2 [www.accentra-assaabloy.com](http://www.accentra-assaabloy.com)

**Template Number:**  
**7150-0109**

Date: 05/24

Sheet: 1 of 1

**ACCENTRA**  
**ASSA ABLOY**