

# 351 Series

## Non Handed Door Closer

Standard Mount  
Top Jamb Mount  
Parallel Arm Mount

# Hold Open Arm Models

Adjustable (Sizes 1-6)

25-H

25-HZ

25-HZA

25-PH9



# SARGENT®

# ASSA ABLOY

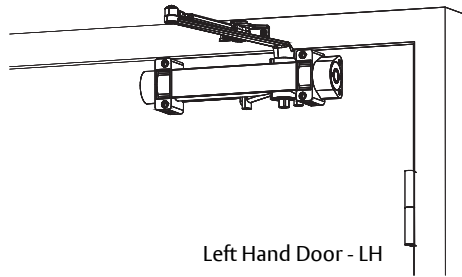
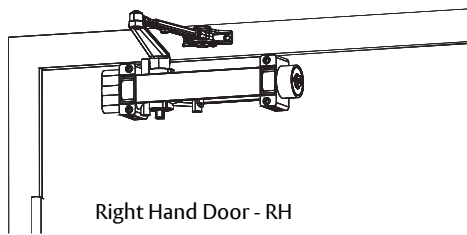
### ! WARNING

This product can expose you to lead which is known to the state of California to cause cancer and birth defects or other reproductive harm. For more information go to [www.P65warnings.ca.gov](http://www.P65warnings.ca.gov).

Ce produit peut vous exposer au plomb qui, dans l'état de la Californie, est reconnu pour causer le cancer, des anomalies congénitales ou d'autres problèmes de reproduction. Pour plus d'informations, visitez: [www.P65warnings.ca.gov](http://www.P65warnings.ca.gov).

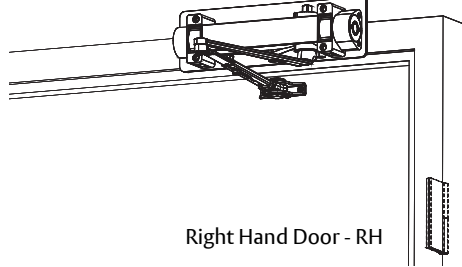
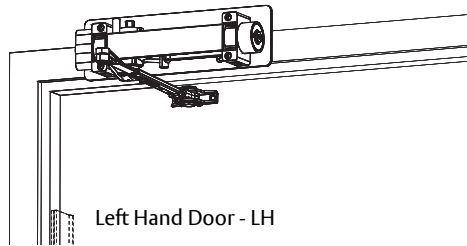
### Standard Mount

Closer mounts on hinge side of door



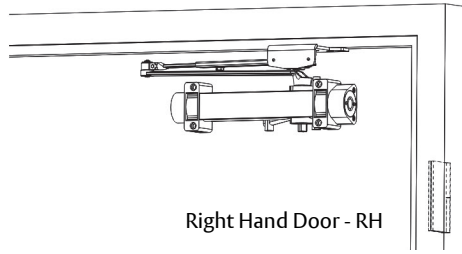
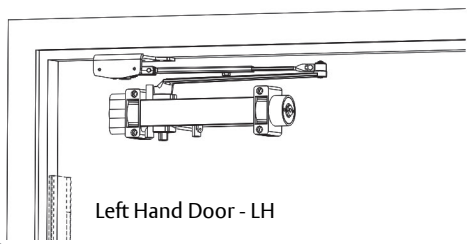
### Top Jamb Mount

Closer mounts on frame of stop side of door

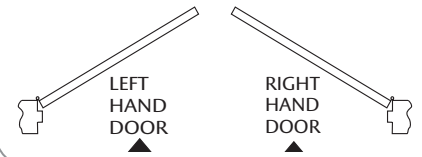


### Parallel Arm Mount

Closer mounts on stop side of door



### To Determine Your Hand of Door:



### To Identify Your Closer:



Model ID:  
+ = optional DA

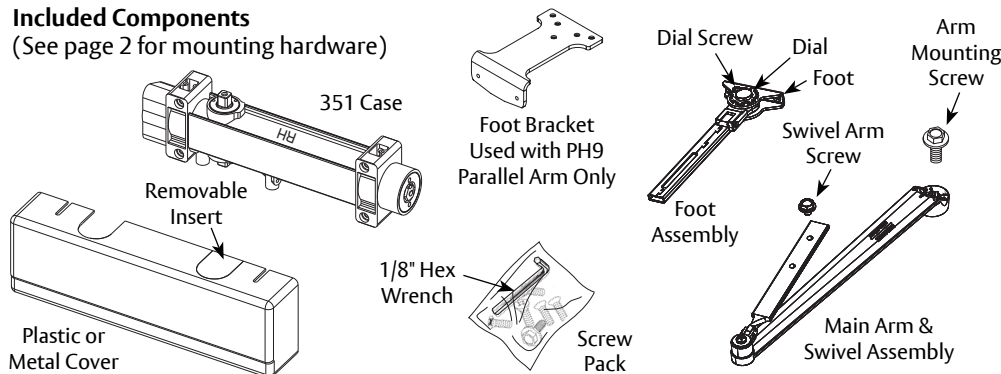
Manufacture Date:  
Week / Year

### Tools Needed

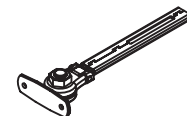


### Included Components

(See page 2 for mounting hardware)



### Legacy Friction Hold Open Arm



Note: Legacy FHO arm has installation orientation. See 80-9300-0005-000, available online.

### H8 Mortise Friction Hold Open Arm

Note: H8 arm is handed same as door. See template A7233, available online.

### PH4 Friction Hold Open Arm

Note: PH4 parallel arm is used for flush frame applications. See template A7229, available online.

# 351 Hold Open Closer

**SARGENT®**



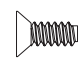

**ASSA ABLOY**

**ATTENTION:**

An incorrectly installed or improperly adjusted door closer can cause property damage or personal injury. These installation instructions should be followed to avoid the possibility of misapplication or misadjustment.

- For special applications, a separate door and frame preparation template is packed with these instructions. Use this instruction sheet for installation sequence and closer adjustments only.
- Doors should be hung on ball bearing or anti-friction hinges.
- A separate door stop is recommended.

- Always consult door/frame manufacturer for fastener compatibility.
- Door and frame must be properly reinforced.
- Adjust closing time speed between 3 and 6 seconds from 90° to Close. Greater closing times may be required for elderly or handicapped.
- DO NOT install closer on exposed side (weather side) of exterior doors. **Warranty will be void.**
- Dimensions are given in inches (millimeters).

*Mounting Hardware		Door or Frame	Drill
	<b>Case, Foot or Optional PH9 Bracket:</b> #12 x 1-1/2 Phillips Flat Head Self Drilling Tapping Screw	Wood	3/32" (2.38mm)
	<b>Case, Foot or Optional PH9 Bracket:</b> #12 x 1-1/2 Phillips Flat Head Wood Screw		
	<b>Case, Foot or Optional PH9 Bracket:</b> #12-24 x 5/8 Phillips Flat Head Machine Screw	Metal	Drill #16 (.177) Tap 12-24
	<b>Case and/or Foot:</b> Mortise Nut (optional)	Hollow Metal	1/4" (6.00mm) thru 3/8" (9.50mm) door face opposite to closer
		Aluminum or Wood	3/8" (9.50mm) thru

\* Security Torx screws supplied upon request, not shown

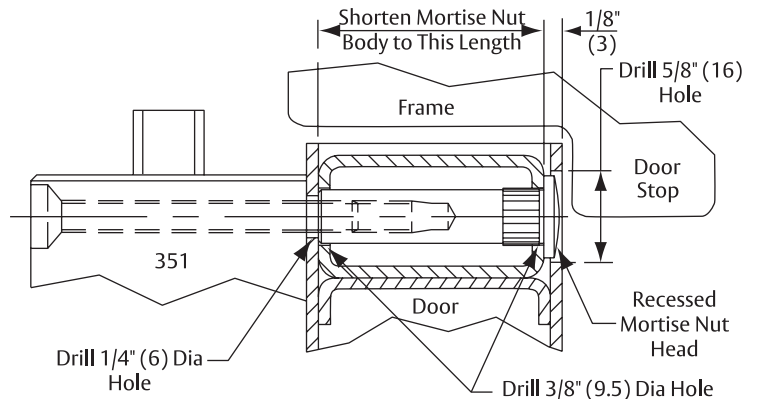
**Mortise Nut and Screw Detail**

Top jamb application: Door closer foot will be attached to the door in a manner similar to that shown for mounting the case.

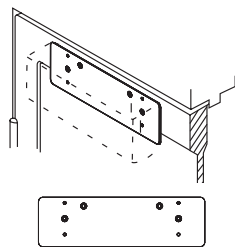
Appropriate mortise nuts and screws will be supplied based on door thickness.

Door construction must provide a bridge type reinforcement to prevent the door rail from collapsing when screws are tightened.

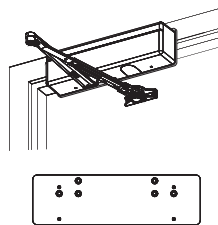
If distance between door stop and center of mortise nut head is less than 7/8" (22mm), stop must be cut to clear head or head must be recessed (shown).



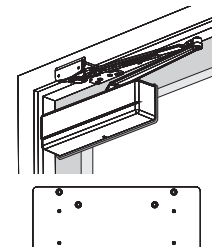
**Accessories**



**351A Mounting Plate**  
Allows mounting onto a door with a minimum top rail of 2-3/8" (60) or top jamb with 1-3/4" (44) minimum frame clearance



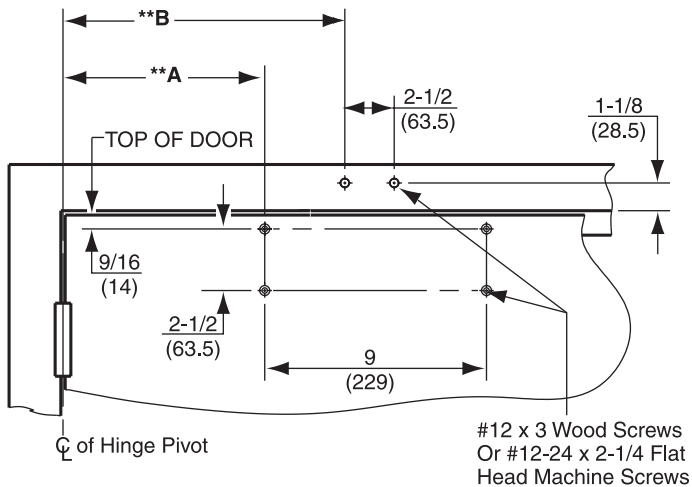
**351B Mounting Plate**  
Top Jamb Mount  
For low ceiling conditions or minimum 1-15/16" (49) frame face



**351D Drop Plate**  
Parallel Arm Mount  
For narrow top rail conditions 3" (76) minimum top rail required

# 351 Standard Mount - H Arm Installation (Right Hand Shown)

## 1. Prepare door and frame.

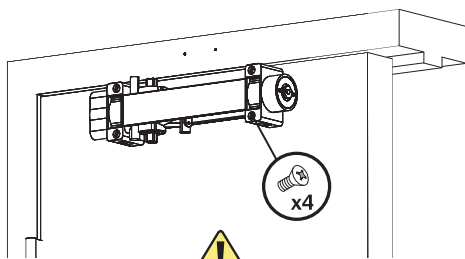


Arm Type	Mounting	Max Door Opening	**Dim A	**Dim B
H Holder	Standard	110°	9-1/2" (241)	12-3/4" (324)
	Alternate	*160°	6-1/2" (165)	9-3/4" (248)

### NOTES:

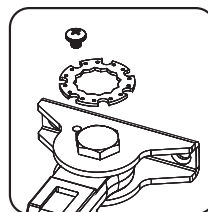
- IMPORTANT: Use Alternate mounting if door can open beyond limits shown for standard mounting.
- \*If butt, frame, and wall conditions permit, door will open 180°.
- \*\* Dimension is taken from hinge edge of door for invisible hinges. Butt, offset, swing clear, center hung or invisible hinges.
- Use screws provided or use mortise nuts when required. See chart on page 2.

## 2. Mount case to door.

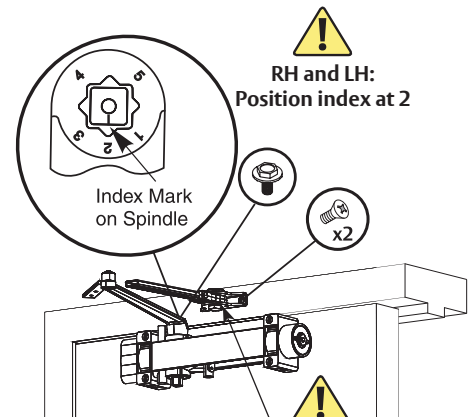


**LH and RH:**  
Spring Adjustment Screw AWAY from hinge Closer is stamped RH at top for right hand doors and LH at top for left hand doors.

## 3a. Remove dial from foot.

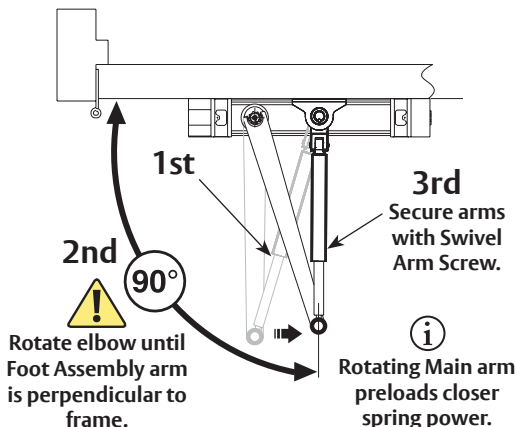


## 3b. Install separate arms.



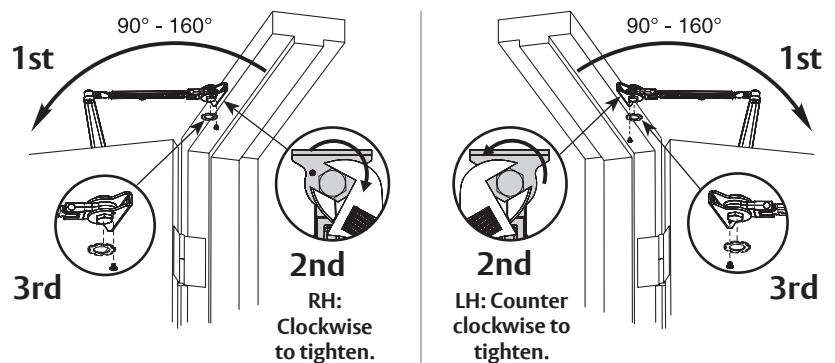
! Dial DOWN Left and Right Hand

## 4. Connect arms, preload spring and tighten screw.



## 5. Set Hold Open.

! Keep door open in position until dial screw secures dial.



You've installed the 351 Hold Open Closer - Standard Mount.

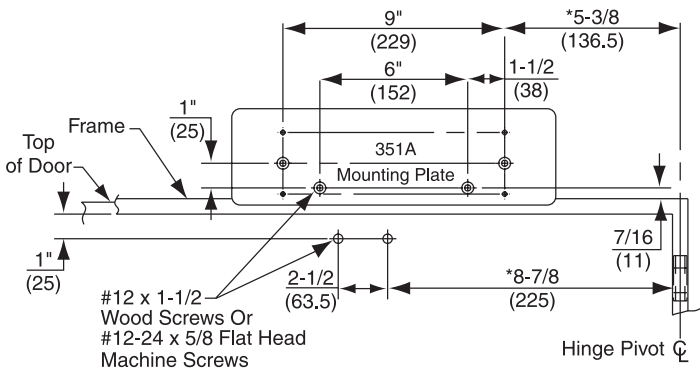
● Go to page 7 for closer adjustments and cover installation.

# 351 Top Jamb Mount - H, HZ, HZA Arm Installation (Right Hand Shown)

**SARGENT**

**ASSA ABLOY**

## 1. Prepare door and frame.

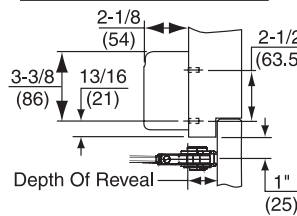


Arm Type	Reveal Depth	**Door Opening
H Arm	0" to 2" (0 to 51)	140°
HZ Arm	2-1/8" to 5" (54 to 127)	140°
HZA Arm	5-1/8" to 8" (130 to 203)	140°

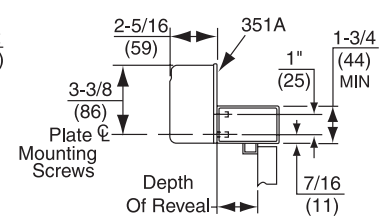
### NOTES:

- \* Dimension is taken from hinge edge of door for invisible hinges.
- \*\* Door opening to 180° is possible if depth of reveal is not greater than 2" (51).
- 351A Mounting Plate required for double rabbeted frame.
- Use screws provided or use mortise nuts when required. See chart on page 2.

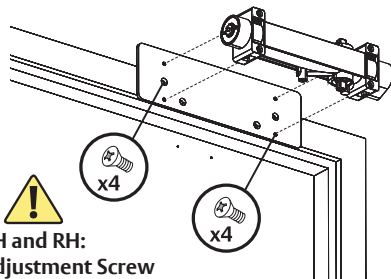
### Single Rabbeted Frame



### Double Rabbeted Frame

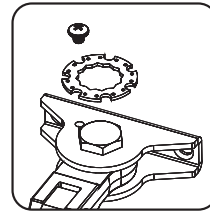


## 2. Mount case to frame. Use Mounting Plate if necessary.

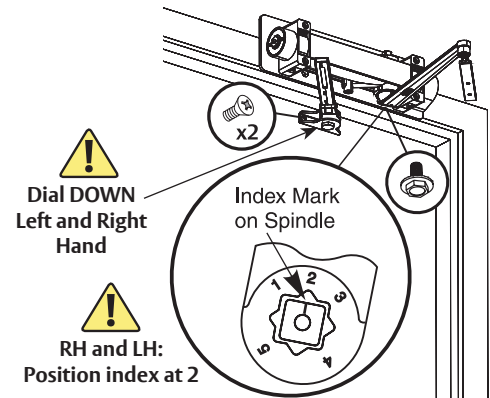


**LH and RH:**  
Spring Adjustment Screw  
AWAY from hinge  
Closer is stamped RH at top  
for right hand doors and LH  
at top for left hand doors.

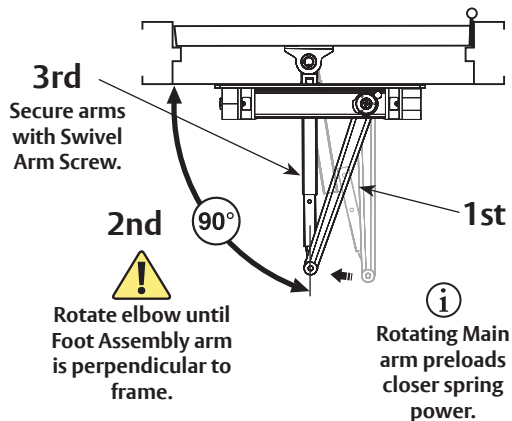
## 3a. Remove dial from foot.



## 3b. Install separate arms.



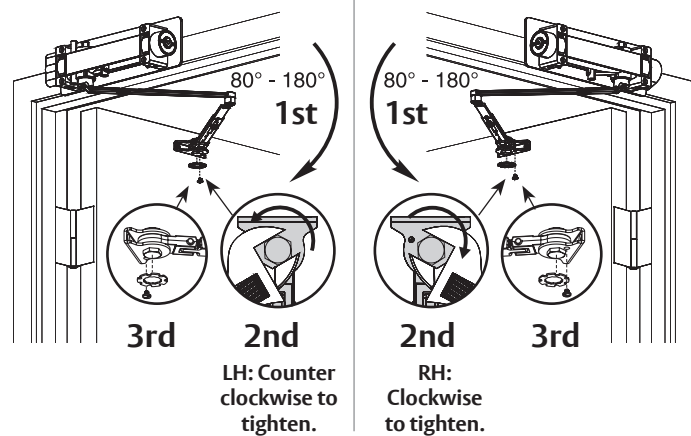
## 4. Connect arms, preload spring and tighten screw.



## 5. Set Hold Open.



Keep door open in position until dial screw secures dial.

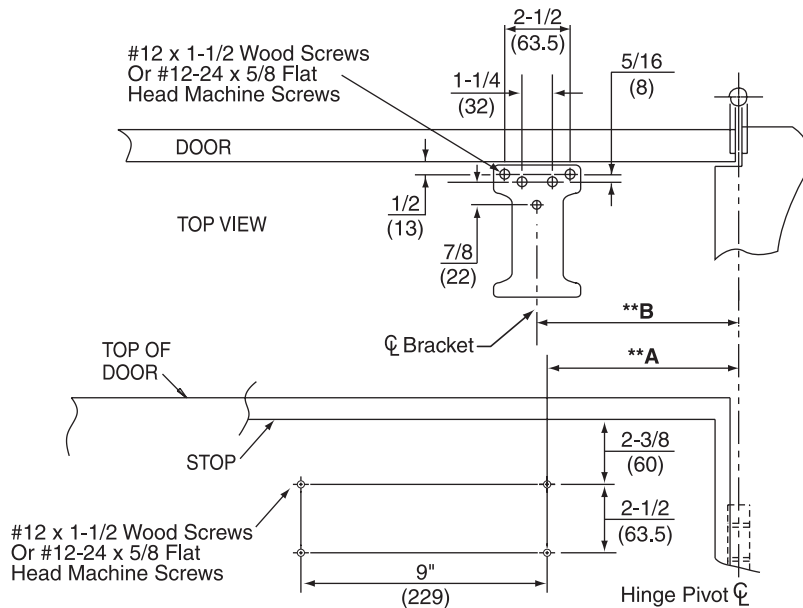


You've now installed the 351 Hold Open Closer - Top Jamb Mount.

● Go to page 7 for closer adjustments and cover installation.

# 351 Parallel Arm Mount - PH9 Arm Installation (Right Hand Shown)

## 1. Prepare door and frame.

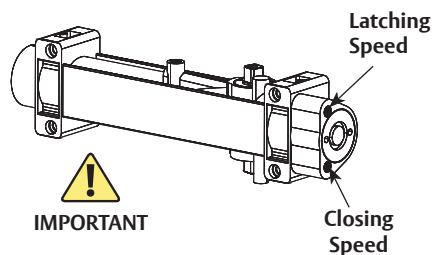


Max Door Opening	**Dim A	**Dim B
120°	9-7/8" (251)	10-1/4" (260)
*180°	7" (178)	7-3/8" (187)

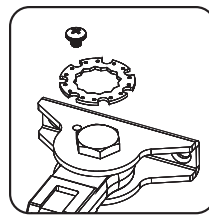
### NOTES:

- \*Do not use this mounting for swing clear hinges.
- \*\* Dimension is taken from hinge edge of door for invisible hinges.
- Use screws provided or use mortise nuts when required. See chart on page 2.

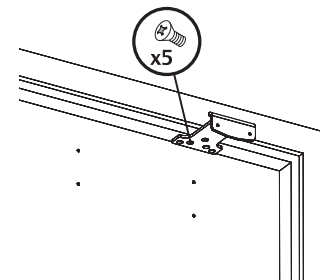
## 2. Close latching speed and closing speed valves.



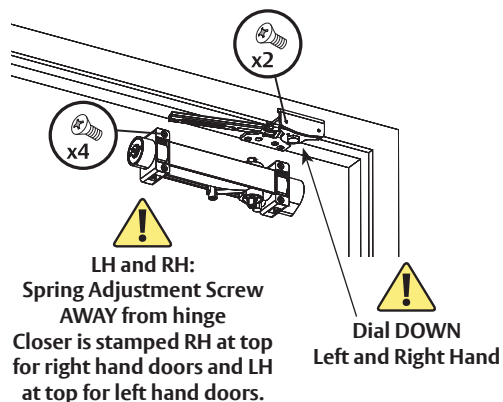
## 3. Remove dial from foot.



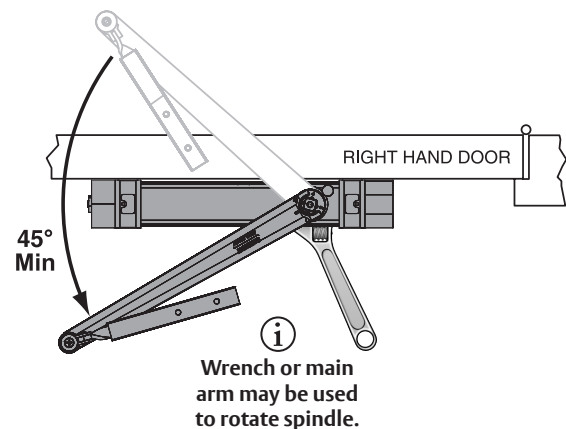
## 4. Install foot bracket to frame stop.



## 5. Install foot assembly to foot bracket and case to door.



## 6. Rotate bottom case spindle.

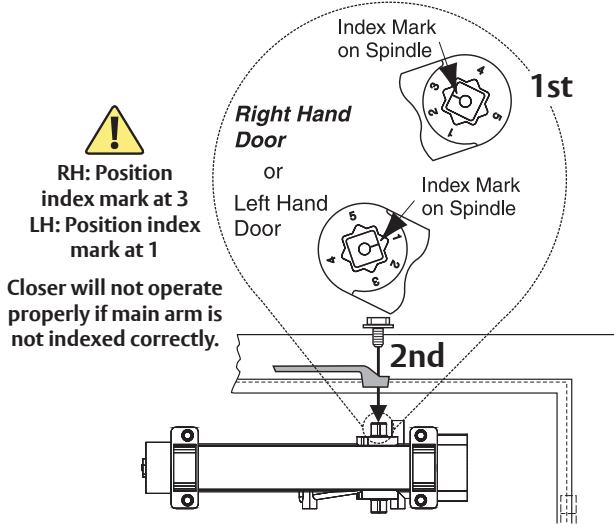


# 351 Parallel Arm Mount - PH9 Arm Installation continued (Right Hand Shown)

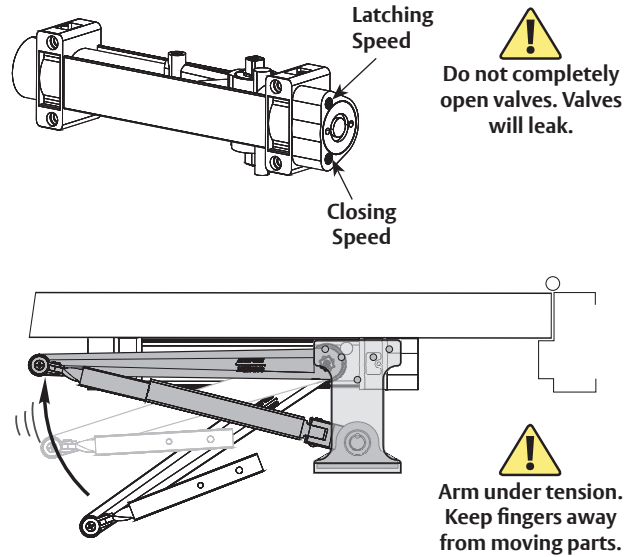
**SARGENT**

**ASSA ABLOY**

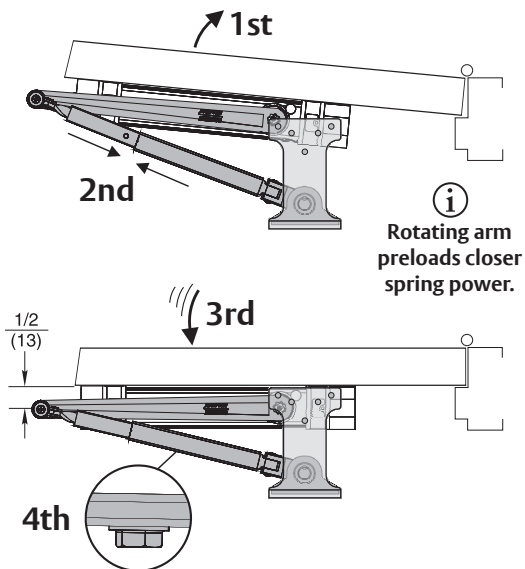
## 7. Attach Main arm as shown.



## 8. Open latching speed and closing speed valves.

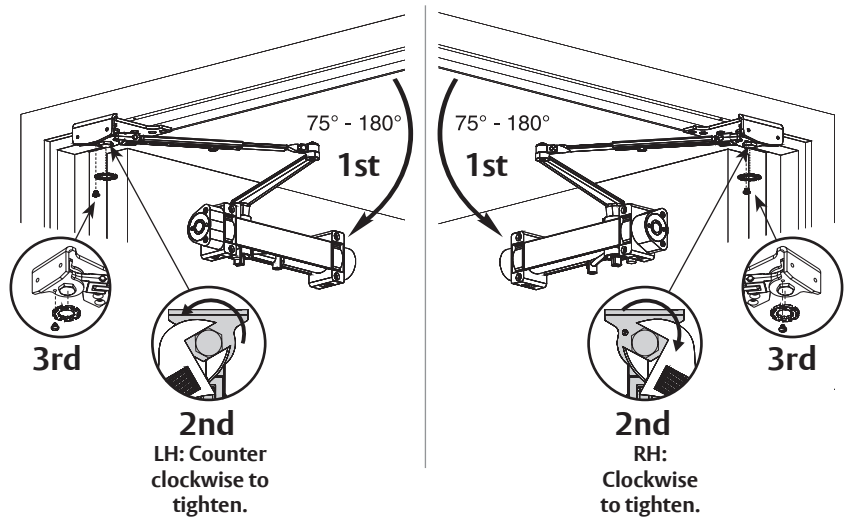


## 9. Connect arms, preload spring and tighten swivel arm screw.



## 10. Set Hold Open.

**!** Keep door open in position until dial screw secures dial.



You've now installed the 351 Hold Open Closer - Parallel Arm Mount.

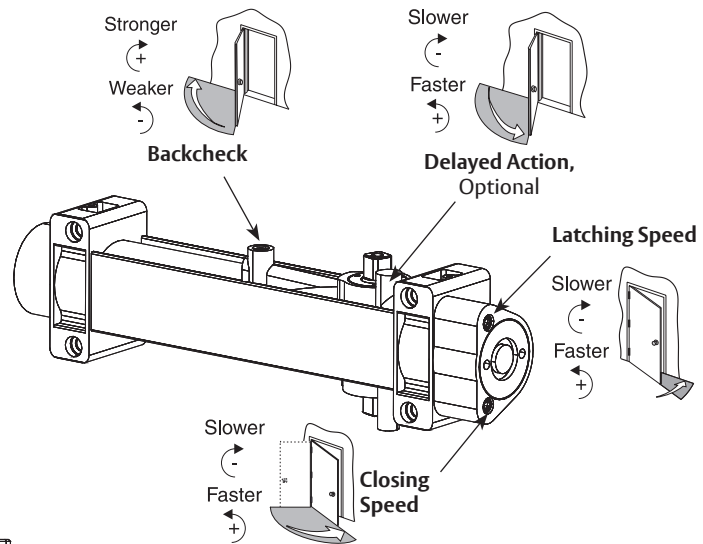
● Go to page 7 for closer adjustments and cover installation.

# 351 Hold Open Closer

## Closer Adjustments



Use provided 1/8" hex wrench to turn valves.  
NEVER force valves out of closer.  
NEVER completely close backcheck valve.  
NEVER use backcheck as a door stop.

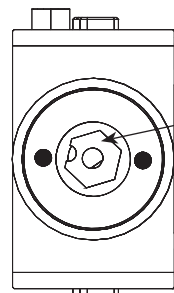


Door must be open to adjust spring closing power. Use 5/8" wrench or socket to turn screw. Refer to chart. Do not use a power drill. Warranty will be void.

Adjust closing time speed between 3 and 6 seconds from 90° to Close. Greater closing times may be required for elderly or handicapped.



If interior doors do not have to comply with ADA requirements, exterior door settings are recommended. Where strong drafts exist, increase spring power as needed by turning spring adjustment screw clockwise. If necessary, reduce spring power by turning screw counter clockwise.



Increase Power



Decrease Power

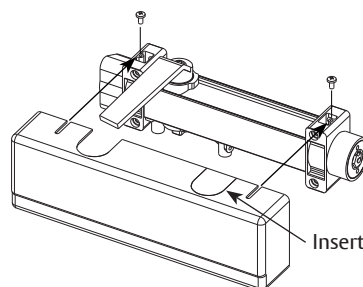


Door Width	Number of Spring Power Nut Turns From Factory Setting (Use as Guide ONLY)			
	Exterior		Interior	
	Std/Top Jamb	Parallel	Std/Top Jamb	Parallel
24"	Factory Set	2-6 CW	1-5 CCW	1-5 CCW
30"	1-4 CW			
32"		6-8 CW		
36"	4-7 CW		8-11 CW	Factory Set
40"		7-10 CW		
42"	10-12 CW		11-13 CW	1-7 CW
44"		up to 18 CW		
46"	up to 18 CW		5 CW & up	8 CW & up
48"		up to 18 CW		
over 48"	up to 18 CW		5 CW & up	8 CW & up

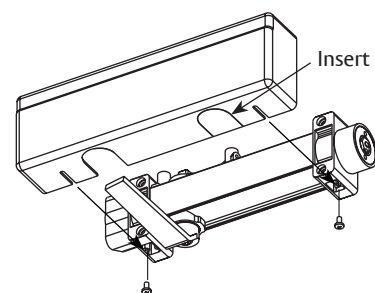
## Cover Attachment



Do not over tighten cover screws. Place removable insert in unused cover opening.



Standard Mount shown  
Parallel Arm Mount similar



Top Jamb Mount

The ASSA ABLOY Group is the global leader  
in access solutions. Every day we help  
people feel safe, secure and experience  
a more open world.

**SARGENT**  
**ASSA ABLOY**

---

---

SARGENT Manufacturing Company  
100 Sargent Drive  
New Haven, CT 06511 USA  
800-727-5477  
[www.sargentlock.com](http://www.sargentlock.com)

Copyright © 2007, 2008, 2020, Sargent Manufacturing Company, an ASSA ABLOY Group company. All rights reserved.  
Reproduction in whole or in part without the express written permission of Sargent Manufacturing Company is prohibited.

Patent pending and/or patent: [www.assaabloydss.com/patents](http://www.assaabloydss.com/patents)

**Approved 2020-01-21**

A7341B