

MOUNTING INFORMATION

Sex nuts or through bolts **are required** for wood and plastic covered composite doors, and any type of door without reinforcements and **recommended** for wood core and metal clad (Kalamein) type doors.

RH SHOWN
LH OPPOSITE

TEMPLATE CROSS REFERENCE

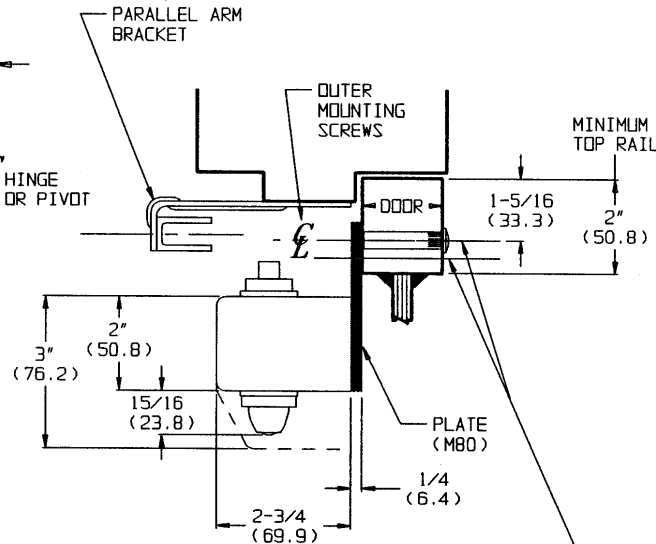
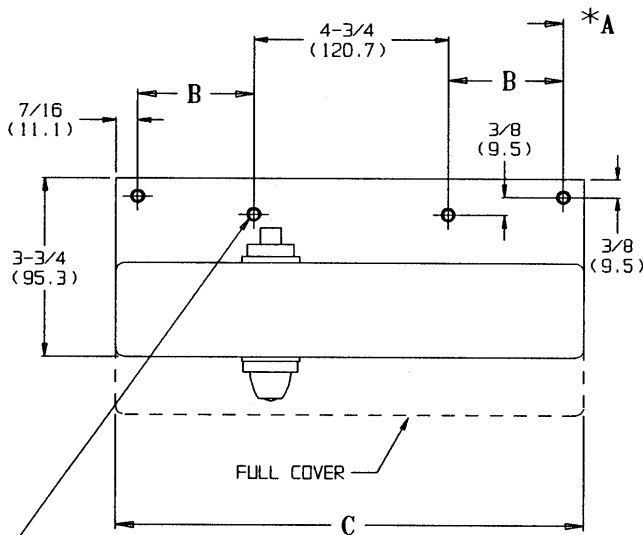
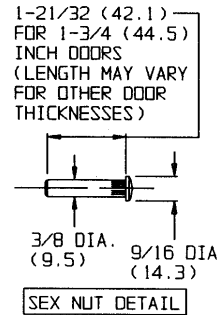
DESCRIPTION	TEMPLATE
DC3210, DC3610	T30612
DC3210, DC3610 x M80 & M83	T30616
DC3210, DC3610 x M83	T30615
DC3210, DC3610 x M82	T30614

CAUTION: CLOSER TO BE INSTALLED IN A TRUE HORIZONTAL POSITION TO ENSURE PROPER CLOSER PERFORMANCE.

NOTES:

- DIMENSIONS GIVEN IN INCHES AND (MM).
- TO OBTAIN EXTRA CLOSING FORCE, ADD 3" (76.2) TO DIMENSIONS MARKED BY ASTERISK (*). THIS WILL LIMIT DEGREE OF DOOR OPENING TO 110°.
- PARALLEL ARM BRACKET MAY BE MOUNTED ON STOP AS SHOWN OR RABBET. REFER TO TEMPLATE T30529 FOR MOUNTING DIMENSIONS.
- DIMENSIONS MARKED (*) APPLY TO CENTERLINE OF HINGE/PIVOT FOR BUTT, SWING CLEAR, OFFSET AND CENTER HUNG PIVOTS.

CLOSER SERIES	OPENING MAXIMUM	A	B	C	DOOR CONDITION
DC3610	180°	* 3-1/4 (82.6)	2-3/8 (60.3)	10-3/8 (263.5)	BUTTS, OFFSET PIVOTS, AND SWING CLEAR HINGES
	140°				CENTER HUNG
DC3210	180°	* 2" (50.8)	3" (76.2)	11-5/8 (295.3)	BUTTS, OFFSET PIVOTS, AND SWING CLEAR HINGES
	140°				CENTER HUNG



SEX NUT APPLICATION:
ENLARGE TO 3/8 DIA.
THIS SIDE ONLY
(4 PLACES)

1/4-20 TAP FOR MACHINE SCREW OR DRILL FOR #14 WOOD SCREW (4 PLACES)

SEX NUT APPLICATION:
9/32 DIA (7.1) THRU CLEARANCE FOR 1/4-20 MACHINE SCREW (4 PLACES)

RESPONSIBILITY

Door and Frame Manufacturers are responsible for providing adequate construction or reinforcements for proper installation of hardware shown. All architectural builders hardware must be installed on properly reinforced doors and frames, regardless of the type, material, or method of construction.

DC3210 SERIES BY M80
DC3610 SERIES BY M80

SURFACE DOOR CLOSER
PARALLEL ARM MOUNTING
BY PLATE

Corbin Russwin
www.corbinrusswin.com

DO NOT SCALE DRAWING

SUPERSEDES	DR. K J	APR
DATE	5/7/93	TEMPLATE NUMBER
		T 30613