

**MOUNTING INFORMATION**

Sex nuts or through bolts are required for wood and plastic covered composite doors, and any type of door without reinforcements and recommended for wood core and metal clad (Kalamein) type doors.

RH SHOWN  
LH OPPOSITE

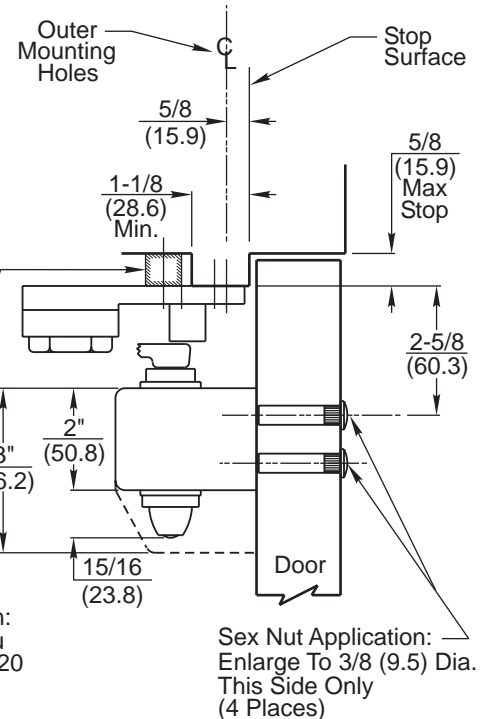
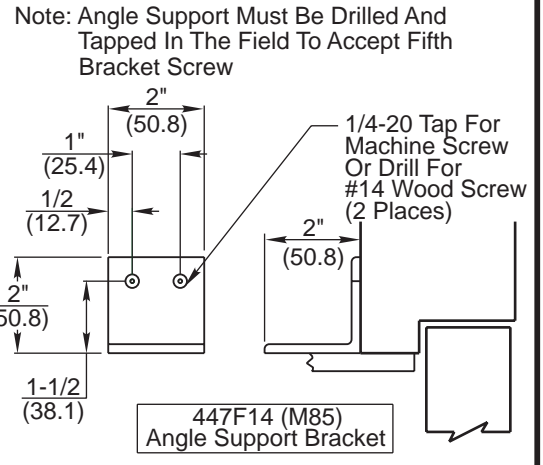
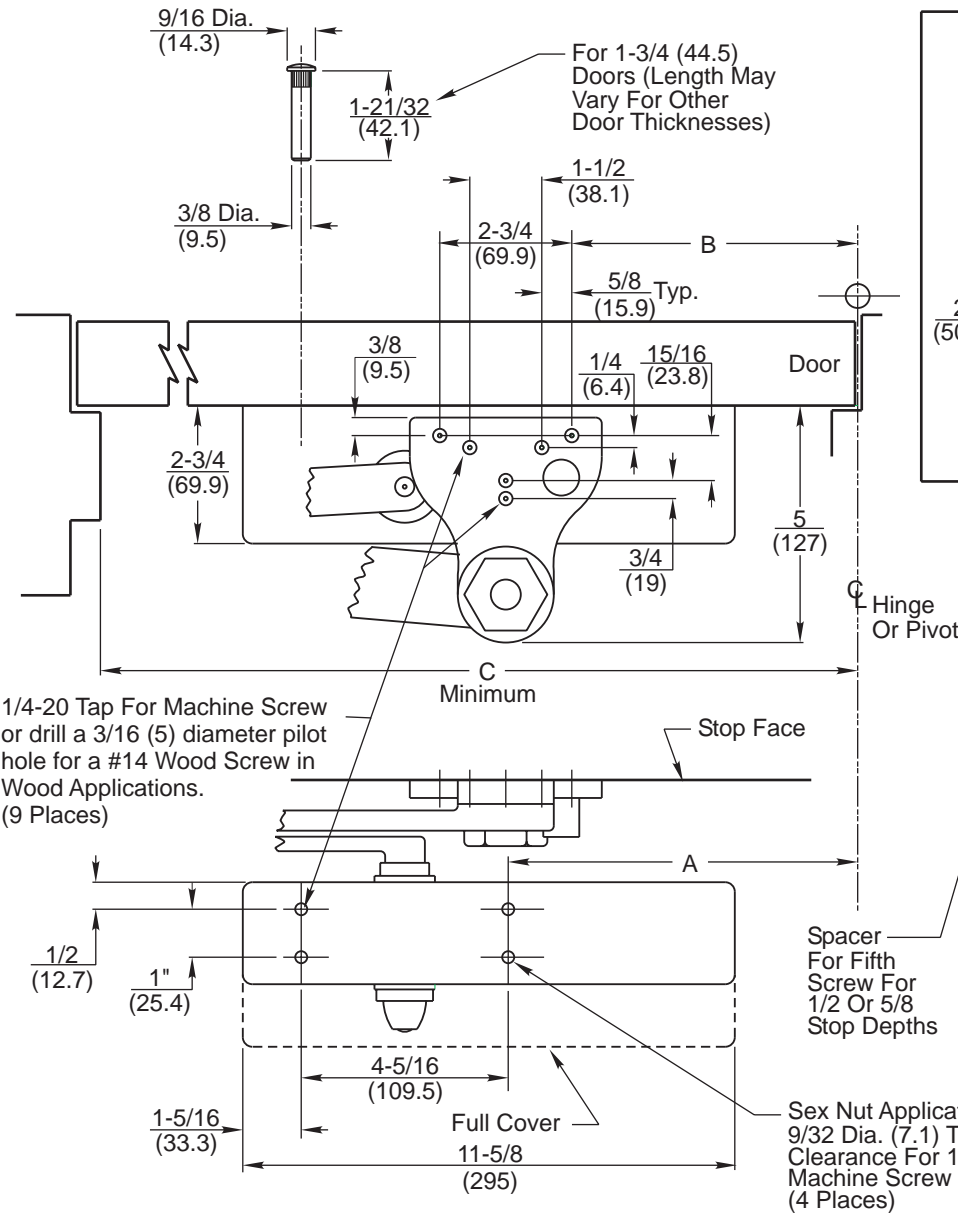
**NOTES:**

1. Dimensions given in inches and (mm).
2. Minimum Top Rail: 4-3/16 (106.4)
3. Dimensions marked "A" & "B" apply to centerline of hinge/pivot for butt or swing clear hinges; or offset pivots.

Opening Maximum	A	B	C Minimum
85°	13-3/4 (349)	12-9/16 (319)	28-3/4 (730)
90°	12-13/16 (325)	11-5/8 (295)	27-7/8 (708)
100°	11-1/4 (286)	10-1/16 (256)	26-1/4 (667)
110°	9-15/16 (252)	8-3/4 (222)	25 (635)

**CAUTION:** Closer To Be Installed In A True Horizontal Position To Ensure Proper Closer Performance.

**Sex Nut Detail**



**RESPONSIBILITY**

Door and Frame Manufacturers are responsible for providing adequate construction or reinforcements for proper installation of hardware shown. All architectural builders hardware must be installed on properly reinforced doors and frames, regardless of the type, material, or method of construction.

DC6210 Series x A2, A4, or A5  
DC6410 Series x A2, A4, or A5

Surface Door Closer  
Parallel Arm Mounting  
By Backstop Arm



www.corbinrusswin.com

Do Not Scale Drawing

Supersedes \_\_\_\_\_ Dr. \_\_\_\_\_ App. \_\_\_\_\_

Date 07-06

Template Number T30715