

# MOUNTING INFORMATION

Sex nuts or through bolts **are required** for wood and plastic covered composite doors, and any type of door without reinforcements and **recommended** for wood core and metal clad (Kalamein) type doors.

OPENING MAXIMUM	A	B	APPLICATION
180°	*9-1/16 (230.2)	*8-3/16 (208)	REGULAR
	9-1/16 (230.2)	7-9/16 (192.1)	

RH SHOWN  
LH OPPOSITE

## TEMPLATE CROSS REFERENCE

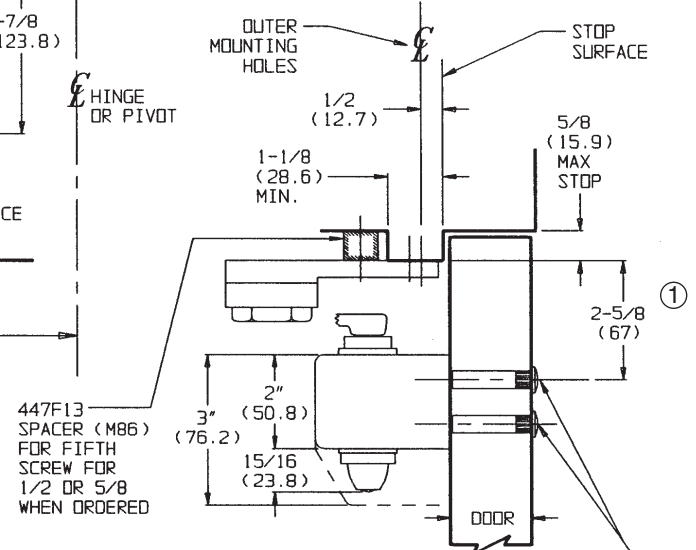
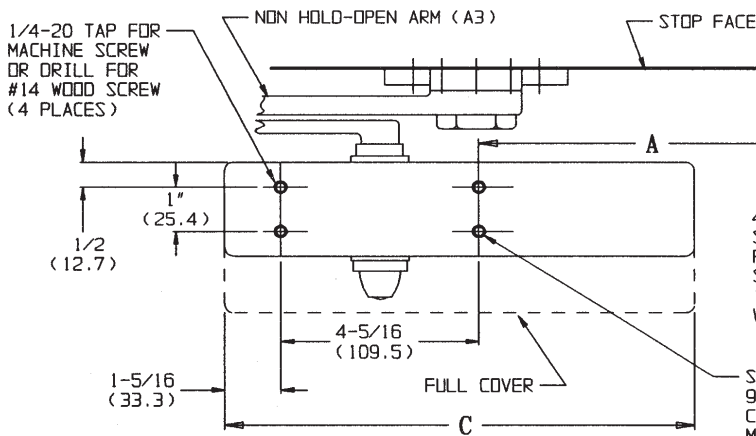
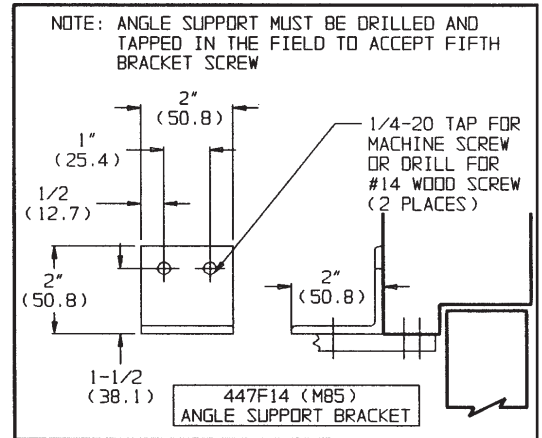
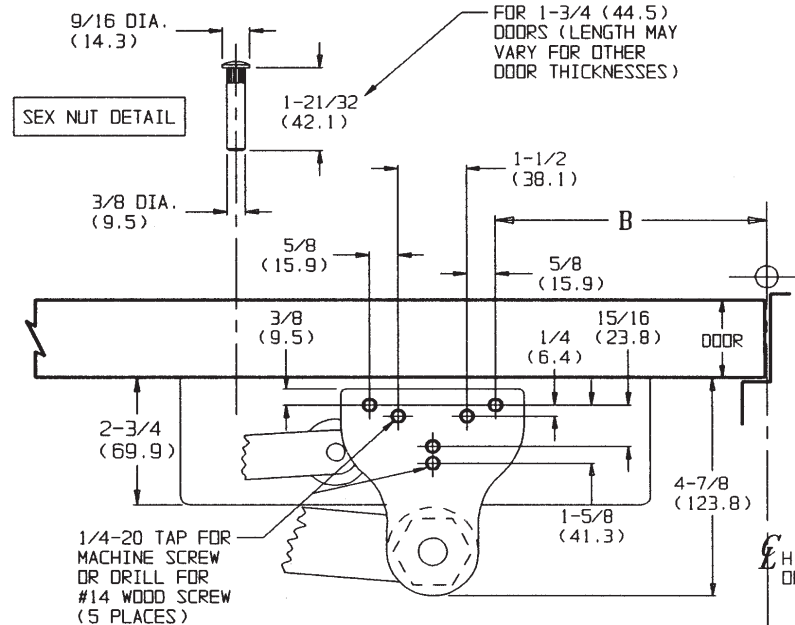
DESCRIPTION	TEMPLATE
DC3210, DC3610 x A2	T30618
DC3210, DC3610 x A4 & A5	T30619
DC3210, DC3610 x A4, A5 & M80	T30620

### NOTES:

- DIMENSIONS "A" & "B" APPLY TO CENTERLINE OF HINGE/PIVOT FOR BUTT, SWING CLEAR, OFFSET AND CENTER HUNG PIVOTS.
- MAXIMUM DEGREE OF OPENING FOR CENTER HUNG PIVOT IS 140°.
- DIMENSIONS GIVEN IN INCHES AND (MM).
- MINIMUM TOP RAIL: 4-3/16 (106.4).
- TO OBTAIN EXTRA CLOSING FORCE, ADD 2" (50.8) TO DIMENSIONS MARKED BY ASTERISK (\*). THIS WILL LIMIT DEGREE OF DOOR OPENING TO 110°.

**CAUTION:** CLOSER TO BE INSTALLED IN A TRUE HORIZONTAL POSITION TO ENSURE PROPER CLOSER PERFORMANCE.

DESCRIPTION	C
DC3610	10-3/8 (263.5)
DC3210	11-5/8 (295.3)
FULL COVER	



SEX NUT APPLICATION:  
9/32 DIA. (7.1) THRU  
CLEARANCE FOR 1/4-20  
MACHINE SCREW  
(4 PLACES)

SEX NUT APPLICATION:  
ENLARGE TO 3/8 (9.5) DIA.  
THIS SIDE ONLY  
(4 PLACES)

### RESPONSIBILITY

DOOR AND FRAME MANUFACTURERS ARE RESPONSIBLE FOR PROVIDING ADEQUATE CONSTRUCTION OR REINFORCEMENTS FOR PROPER INSTALLATION OF HARDWARE SHOWN. ALL ARCHITECTURAL BUILDERS HARDWARE MUST BE INSTALLED ON PROPERLY REINFORCED DOORS AND FRAMES, REGARDLESS OF TYPE, MATERIAL, OR METHOD OF CONSTRUCTION.

DC3210 Series x A3  
DC3610 Series x A3

Surface Door Closer  
Parallel Arm Mounting  
By Heavy Duty Arm

**Corbin  
Russwin**  
**ASSA ABLOY**

www.corbinrusswin.com

SUPERSEDES	T30617	DO NOT SCALE DRAWING
TEMPLATE NUMBER	T30617-1	DATE 04-10