

MODEL & COLOR

- + DS/1000 Model (ABS Plastic Body): Charcoal, Brass and Grey
- + DS/2000 Model (Aluminum Body): Gold, Silver and Black



FIRE RATE (Tested by Warnock Hersey)

- + Testing Standard: CAN S104(1985):NFPA 252(2008):UL 10(c) (2001): UL10(C)(2009)
- + DS/1000 (Plastic Model) 20 Minutes
- + DS/2000 (Aluminum Model) 20 Minutes

FIRE RATE (Tested by Warnock Hersey)

- + Testing Standard: CAN S104(1985):NFPA 252(2008):UL 10(c) (2001): UL10(C)(2009)
- + DS/1000 (Plastic Model) 20 Minutes
- + DS/2000 (Aluminum Model) 20 Minutes

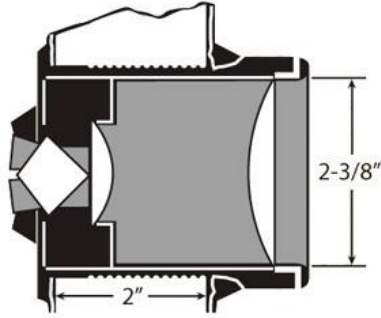


Intertek



Intertek

SCHEMATIC DIAGRAM of CROSS-SECTION



■ ADJUSTABLE FROM 1-1/8" TO 2" ■

ACTUAL IMAGES

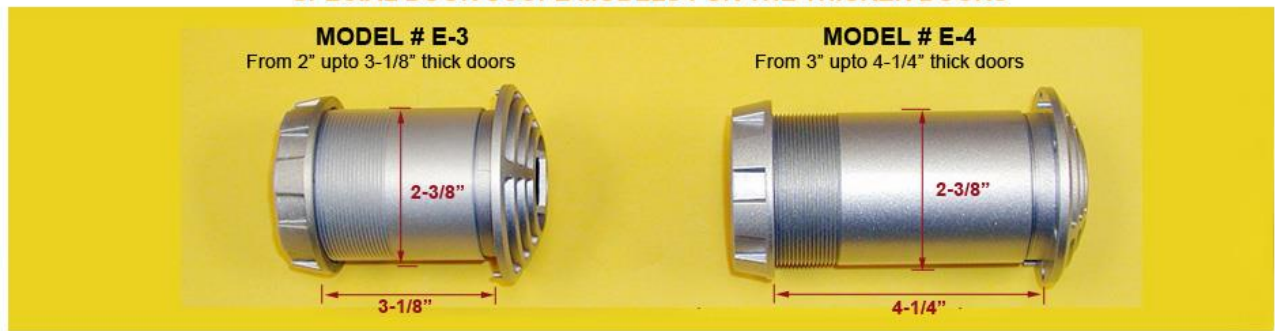


VIEW FROM INSIDE



VIEW FROM OUTSIDE

SPECIAL DOOR SCOPE MODELS FOR THE THICKER DOORS



FIRE RATE (Tested by Warnock Hersey)

- + Testing Standard: CAN S104(1985):NFPA 252(2008):UL 10(c) (2001): UL10(C)(2009)
- + DS/1000 (Plastic Model) 20 Minutes
- + DS/2000 (Aluminum Model) 20 Minutes

FIRE RATE (Tested by Warnock Hersey)

- + Testing Standard: CAN S104(1985):NFPA 252(2008):UL 10(c) (2001): UL10(C)(2009)
- + DS/1000 (Plastic Model) 20 Minutes
- + DS/2000 (Aluminum Model) 20 Minutes



Intertek



Intertek