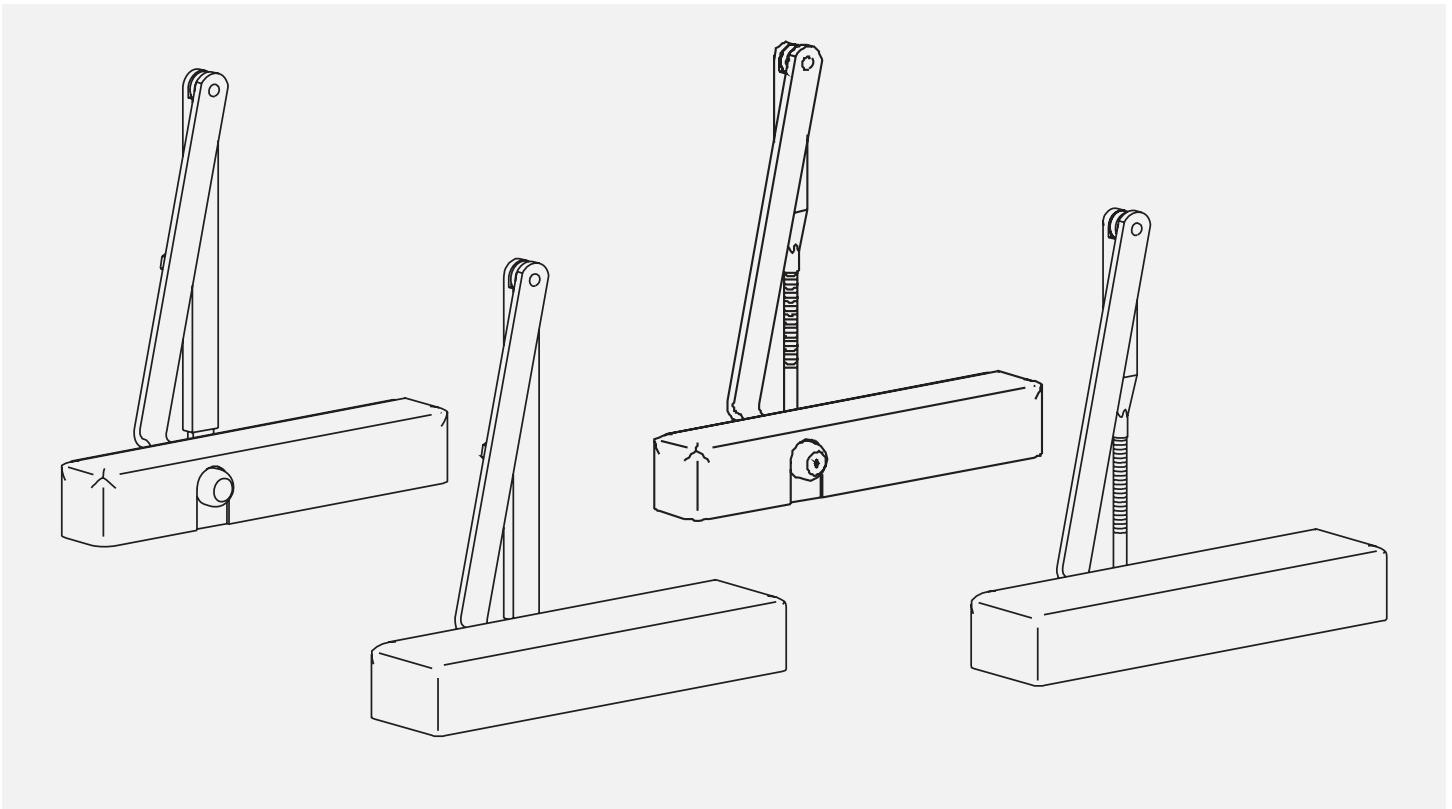


8600 Series Closers



Applications:

The 8600 Series is designed to provide a highly flexible door control system suitable for use on all hollow metal, aluminum, and wood doors typically used in commercial construction. It is available in adjustable spring size 1-6. Doors may be mounted with either ball bearing hinges or pivots. Special brackets and other adapting hardware are available with the 8600 Series product.

Listings and approvals:

- ANSI Grade 1
- UL and ULC
- UL10C for positive pressure
- UBC 7.2 1997
- CSFM
- MEA

Warranty: 25 Years

Range of door sizes:

- Exterior door widths to 48" (1219mm)
- Interior door widths to 48" (1219 mm)
- Door heights to 96" (2438 mm)
- Door weights to 250 pounds (114kg)
- Can be adjusted to meet ADA maximum 5 lbf opening force on properly hung interior doors.

Finishes:

Standard sprayed finishes

- 689 (Aluminum)
- 690 (Dark Statuary Bronze)
- 691 (Dull Bronze)
- 693 (Black)
- 695 (Dark Duranodic Bronze)
- 696 (Satin Brass)

Custom painted finishes

Submit sample.
Customer approval required.

Architectural plated finishes

- 605E (Pol. Brass)
- 606E (Satin Brass)
- 611E (Pol. Bronze)
- 612E (Satin Bronze)
- 613E (Oil Rubbed Brnze)
- 618E (Pol. Nickel)
- 619E (Satin Nickel)
- 625E (Pol. Chrome)
- 626E (Satin Chrome)

Closer mounting options:

(based on arm selection)

- Regular pull side of the door
- Top jamb push side of the door
- Parallel arm on push side of the door

Arm functions:

- Regular, Top Jamb or Parallel Arm
- Friction hold open
- Plunger hold open
- Heavy Duty Dead Stop Reg or TJ
- Heavy Duty Dead Stop PA (hold-open optional)
- Heavy Duty PA (hold open optional)
- Track (hold open optional)
- Double Egress Track (hold open optional)

Closer functions:

- Adjustable power
- Adjustable backcheck intensity
- Adjustable backcheck positioning
- Adjustable sweep speed
- Adjustable latch speed
- Optional delayed closing from maximum opening angle to approximately 70°

Cover options:

- Slim plastic cover
- Optional full plastic cover
- Optional full plastic slotted cover
- Optional full metal cover (required for architectural finishes)

ANSI A156.4 Grade 1 selector chart

Arm(s)	Hinge side	Parallel arm	Top jamb
AF, AR	C02011	C02021	C02041
FH, PH	C02051	C02061	C02081
T, JT, PT, FT	C02251 C02211	C02231	C02271
TH, JTH, PTH FTH	C02261 C02222	C02241	C02281
PT4 Function Options	A, B, C, D, F,H	A, B, C, D, F, G, H, J	A, B, C, D, F, H



© dormakaba 2025 Information on this sheet is intended for general use only. dormakaba reserves the right to alter designs and specifications without notice or obligation.

Any questions? We would be happy to advise you.
Contact us at: 1-800-523-8483