

6170(F) / 6210

Surface Vertical Rod Exit Device

Installation Instructions

ACCENTRA

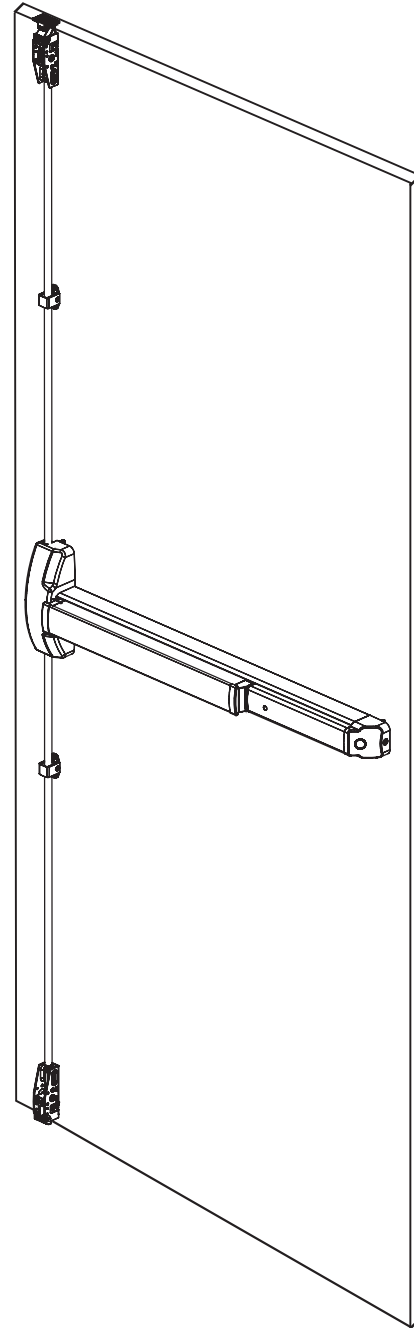
ASSA ABLOY

Important:

Retrofitting or modifying this device may impact fire rating, safety features and warranty. Consult with code specifications to ensure compliance with all codes and ratings.

NOTE:

These instructions cover standard, reinforced metal doors only. To install options such as shim kits or interlock brackets, refer to the instructions packed with the optional component. Optional hardware is required for unreinforced metal, composite and wood doors. Device is ready for any applicable ASSA ABLOY ACCENTRA™ trim.



⚠ WARNING

This product can expose you to lead which is known to the state of California to cause cancer and birth defects or other reproductive harm. For more information go to www.P65warnings.ca.gov.

⚠ WARNING

Attention Installer: Any retrofit or other field modification to a fire rated opening can potentially impact the fire rating of the opening, and ASSA ABLOY makes no representations or warranties concerning what such impact may be in any specific situation. When retrofitting any portion of an existing fire-rated opening, or specifying and installing a new fire-rated opening, please consult with a code specialist or local code official (Authority Having Jurisdiction) to ensure compliance with all applicable codes and ratings.

80-9460-6005-000 04/24

1-855-557-5078 Ext. 2 • www.accentra-assaabloy.com

Copyright © 2015, 2016, 2020, 2023, 2024, ASSA ABLOY ACCENTRA™ Access and Egress Hardware Group, Inc. All rights reserved. Reproduction in whole or in part without the express written permission of ASSA ABLOY Access and Egress Hardware Group, Inc. is prohibited.

Experience a safer
and more open world

Table of Contents

1. Verify Parts and Templates	3
2. Optional Parts and Templates	4
3. Exploded View - 6170(F) Wide Stile	5
4. Exploded View - 6210 Narrow Stile	6
5. Before Installation	7
6. Check Lock Handing	7
7. Door Reference Lines	8
8. Prepare Door & Frame with Templates	8
8. Prepare Door & Frame with Templates, continued.	9
8. Prepare Door & Frame with Templates, continued.	10
9. Sizing Exit Device	11
10. Install Device Assembly	12
11. Install Device Assembly	12
11. Install Rear Clamp & End Clamp, continued	13
12. Install Top and Bottom Latches	14
13. Install Top and Bottom Strikes	15
14. Install Top and Bottom Rod Guides	16
15. Install Top Rod Prepare Top Rod (Figure 22)	16
15. Install Top Rod, continued.	17
16. Install Bottom Rod	18
17. Top & Bottom Rod Adjustment.	19
18. Install Top & Bottom Rod Guide Covers	20
19. Install Latch Covers	20
20. Install Device Assembly Cover	21
21. Operations & Maintenance	21

6170(F) / 6210

Surface Vertical Rod Exit Device Installation Instructions

ACCENTRA

ASSA ABLOY

1. Verify Parts and Templates

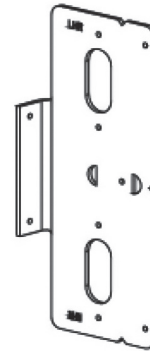
1. Unpack and verify components received using the parts list and exploded views shown on pages 4 and 5.
2. Read entire instructions before installing this device. Follow all cautions, notes, and warnings.
3. All dimensions are listed in inches (") and millimeters (mm).

IMPORTANT:

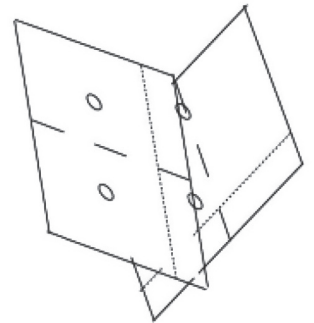
Verify device is being installed on the correct door, as well as function, finish, and size.

- Use site survey to verify correct product ordered.
- Use site survey to verify correct product
- This device is intended to be installed on new 24" (610mm) to 48" (1220mm) metal or wood, pre-drilled, free swinging doors only.

Plastic and Paper Templates are included

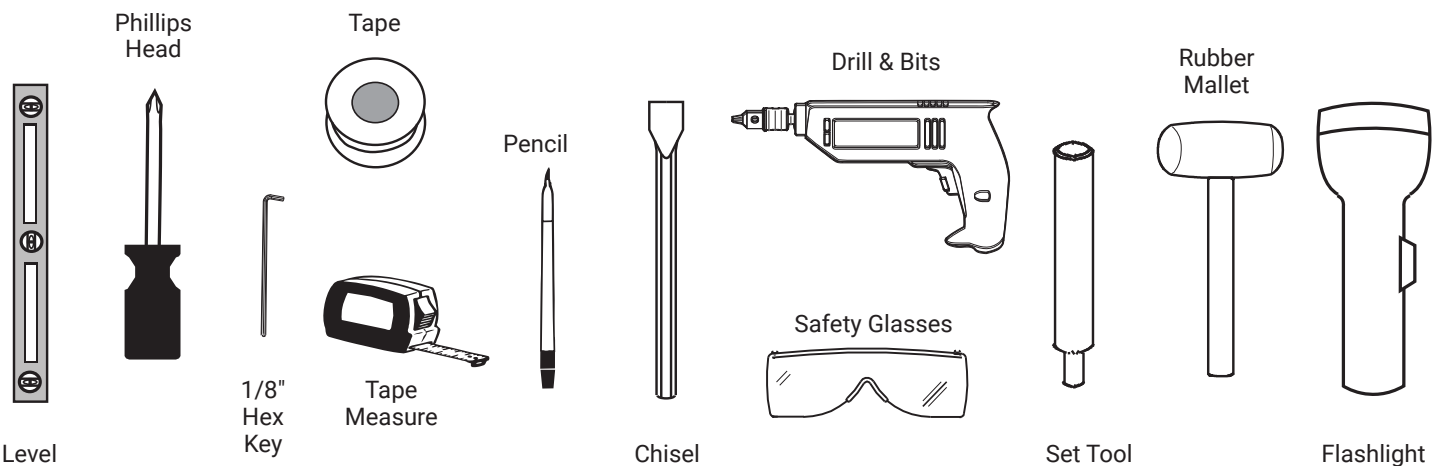


Plastic
Template



Paper
Template

Tools Required

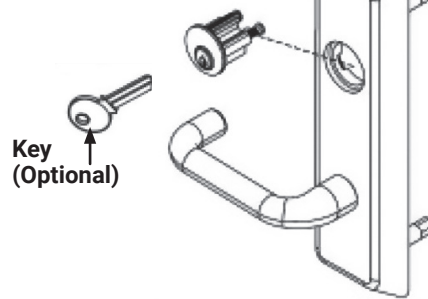


2. Optional Parts and Templates

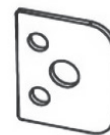
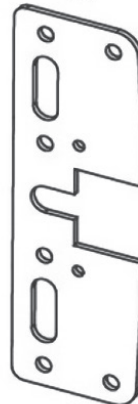
Optional Thermal Pin
(Fire-Rated in frame & door
of bottom rod devices only)



**Trim Assembly
- Keyed (Optional)**



Optional Shim Kit#624NS
used on Narrow Stile Device
and Touch Bar Bracket



Optional Shim Kit#624SK
used on Wide Stile Device
and Touch Bar Bracket

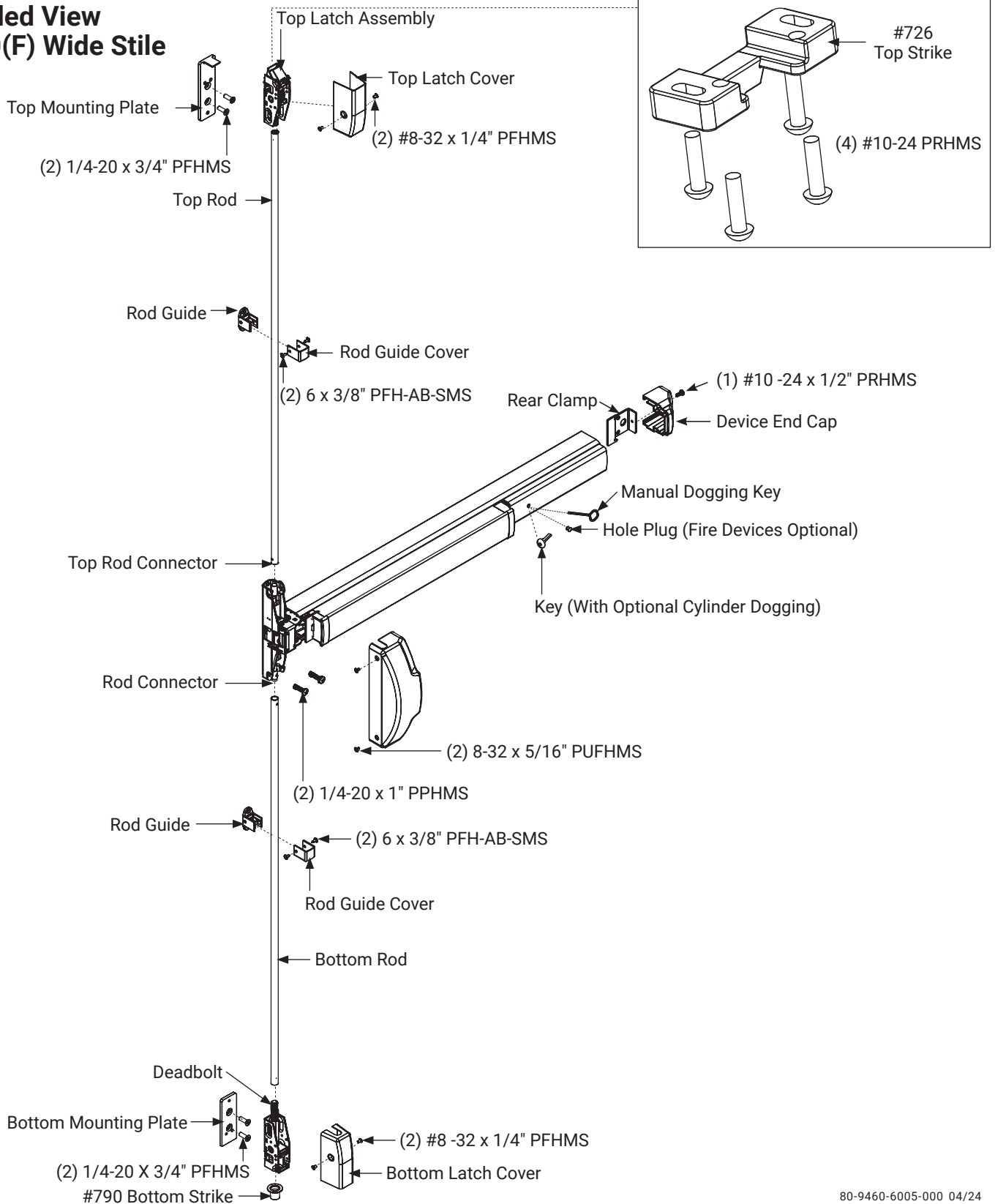
6170(F) / 6210

Surface Vertical Rod Exit Device Installation Instructions

ACCENTRA

ASSA ABLOY

3.Exploded View - 6170(F) Wide Stile



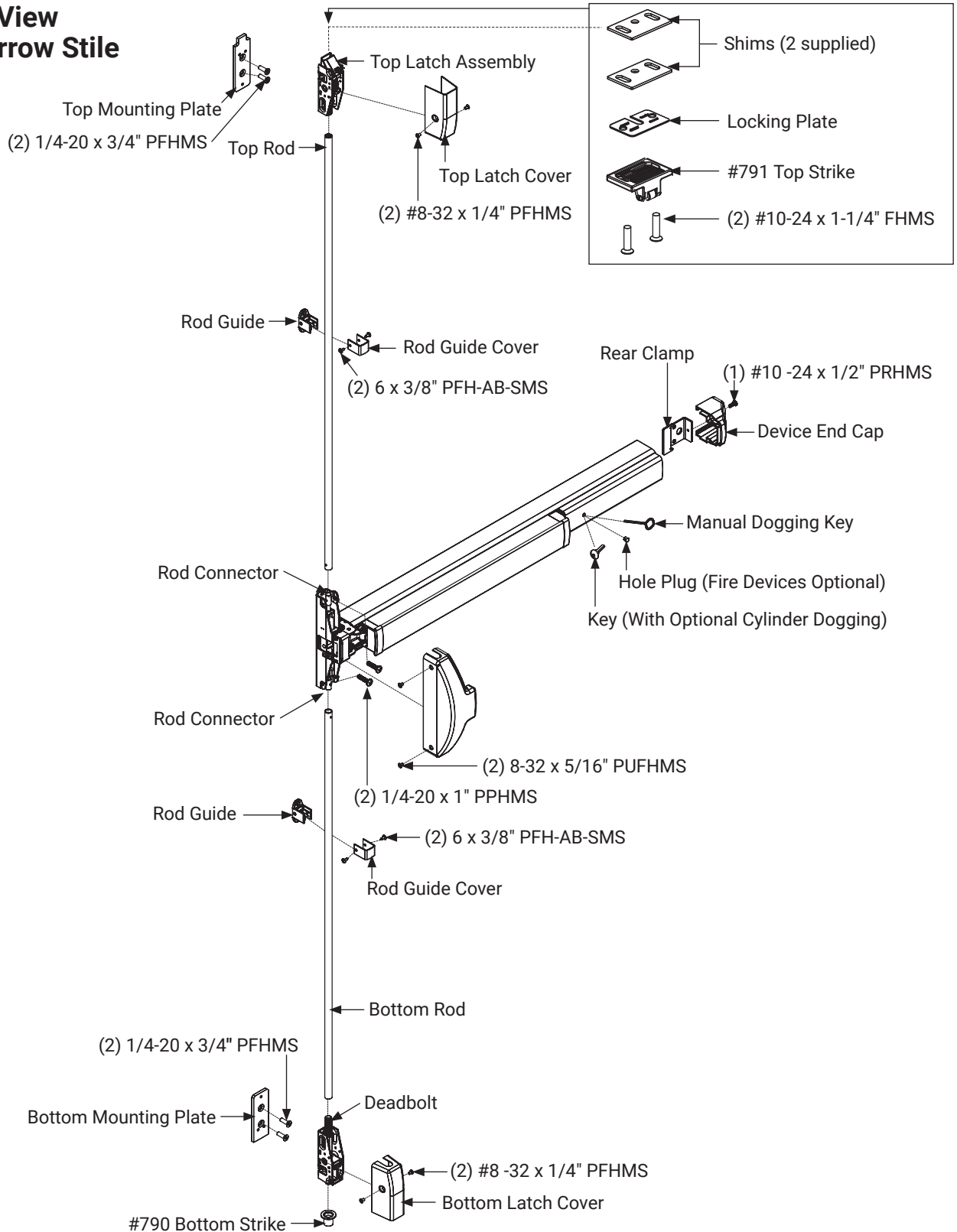
80-9460-6005-000 04/24

1-855-557-5078 Ext. 2 • www.accentra-assaabloy.com

Copyright © 2015, 2016, 2020, 2023, 2024, ASSA ABLOY ACCENTRA™ Access and Egress Hardware Group, Inc. All rights reserved. Reproduction in whole or in part without the express written permission of ASSA ABLOY Access and Egress Hardware Group, Inc. is prohibited.

Experience a safer
and more open world

4. Exploded View
- 6210 Narrow Stile



80-9460-6005-000 04/24

Experience a safer
and more open world

1-855-557-5078 Ext. 2 • www.accentra-assaabloy.com

Copyright © 2015, 2016, 2020, 2023, 2024, ASSA ABLOY ACCENTRA™ Access and Egress Hardware Group, Inc. All rights reserved. Reproduction in whole or in part without the express written permission of ASSA ABLOY Access and Egress Hardware Group, Inc. is prohibited.

6170(F) / 6210

Surface Vertical Rod Exit Device Installation Instructions

5. Before Installation

1. The door must be plumb and level. Check that the hinges are secure and not missing hardware.
2. If surface of the door is free of raised projections, device may be installed without a shim kit. One (1) shim kit is needed for each 1/4" of projection:
 - 6210 – #624NS
 - 6170(F) – #624SK
1. Fully open the doors to ensure doors do not hit floor as they swing.
2. Determine if door is reinforced. Doors and frame thickness must have three (3) full screw threads to be considered reinforced.

Figure 1

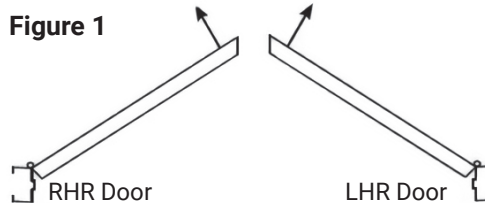
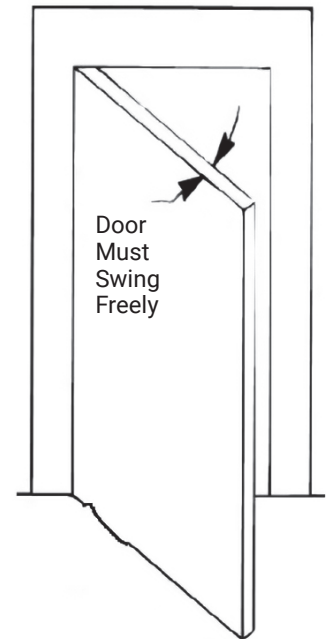


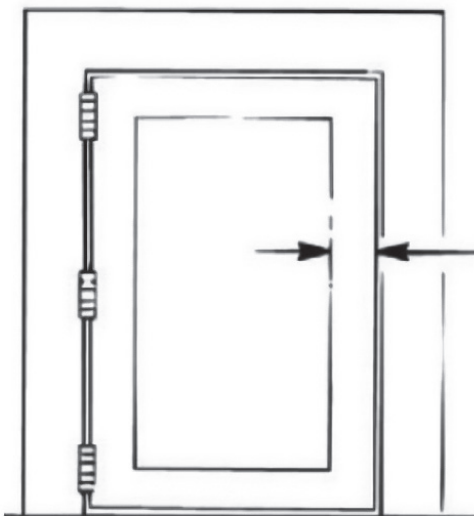
Figure 2



6. Check Lock Handing

1. Lock handing is pre-determined by order. Always determine handing from the outside of the door as shown in **Figure 3**. To change lock handing, remove the four (4) screws from the vertical lifter assembly and remove from the device (**Figure 4**).
2. Rotate vertical lifter assembly 180 degrees.
3. Place the vertical lifter assembly back into the device. Make sure the vertical lifter sits under the lift block.
4. Re-install screws onto device assembly.

Figure 3

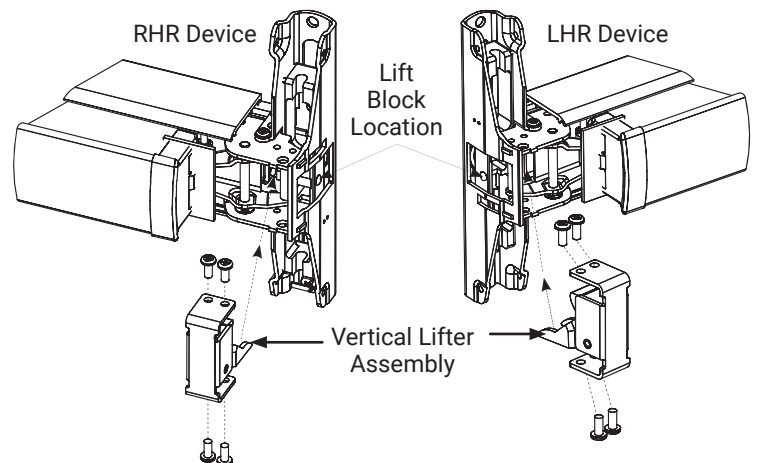


Minimum Door Stile:

- 4-1/2" (114mm) 6170(F)
- 2-3/4" (70mm) 6210

does not include glass stop

Figure 4



80-9460-6005-000 04/24

1-855-557-5078 Ext. 2 • www.accentra-assaabloy.com

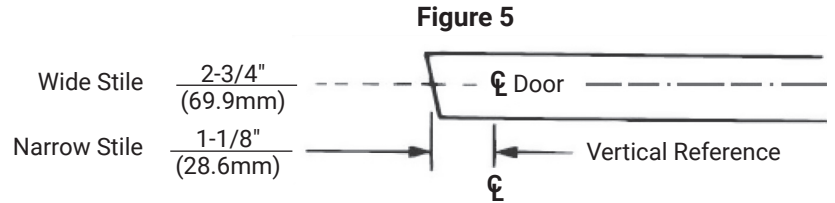
Copyright © 2015, 2016, 2020, 2023, 2024, ASSA ABLOY ACCENTRA™ Access and Egress Hardware Group, Inc. All rights reserved. Reproduction in whole or in part without the express written permission of ASSA ABLOY Access and Egress Hardware Group, Inc. is prohibited.

Experience a safer
and more open world

7. Door Reference Lines

1. Backset is measured from centerline of bevel which is centerpoint of door thickness.
2. Locate and mark horizontal centerline and vertical centerline as shown in **Figure 5**.

NOTE: Standard rail centerline height is 39-15/16" (1015mm) above the finished floor.



8. Prepare Door & Frame with Templates

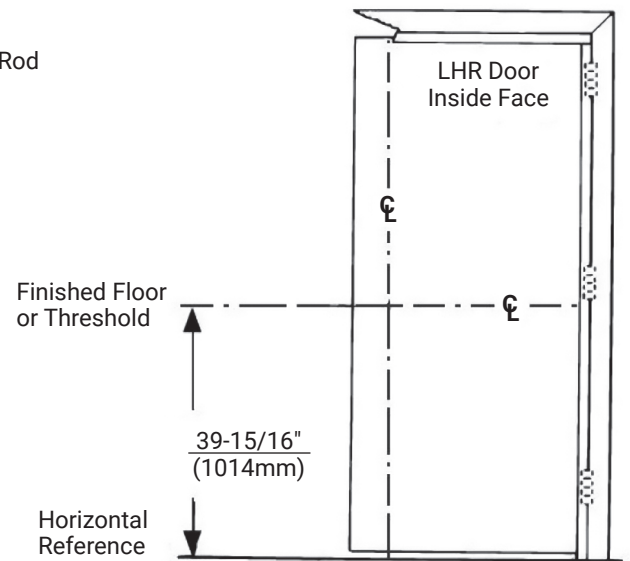
IMPORTANT: For Narrow Stile Devices, the Vertical Reference Centerline and the Rod & Strikes Centerline are the same.

NOTE: If factory prepared cutouts with field drilled mounting holes are in the door, skip to: **Figures 11 and 12**, Sizing Exit Device on page 11. If the door and frame need to be prepared in the field, follow the instructions on templates.

Plastic Template (Device Seat & Trim)

Prepare mounting holes as follows. See **Figure 6**.

1. Locate the vertical reference centerline. (See **Figure 7** on page 9). Measure 11/16" (17.5mm) toward the edge of the door and mark the Rod and Strikes centerline, extending the line to the top and bottom of the door.
2. Use templates provided and position on door and frame as shown on the following pages. Align vertical and horizontal reference center lines on door with notches on template.
3. Tape template to door face. Mark door per template.



Plastic Template

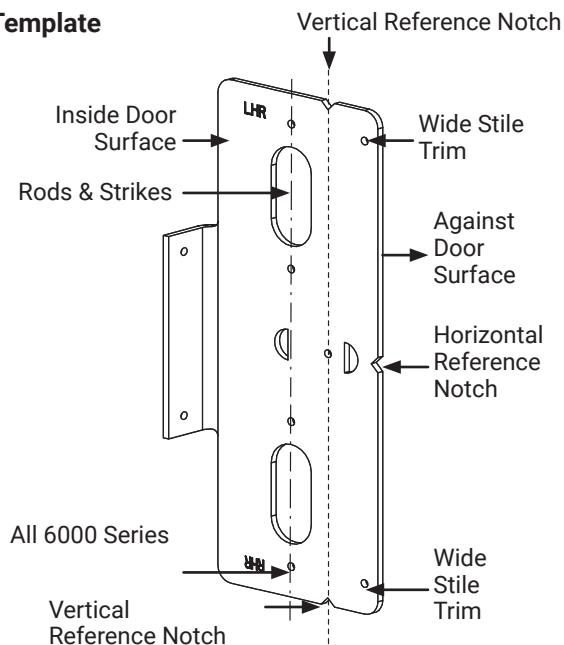
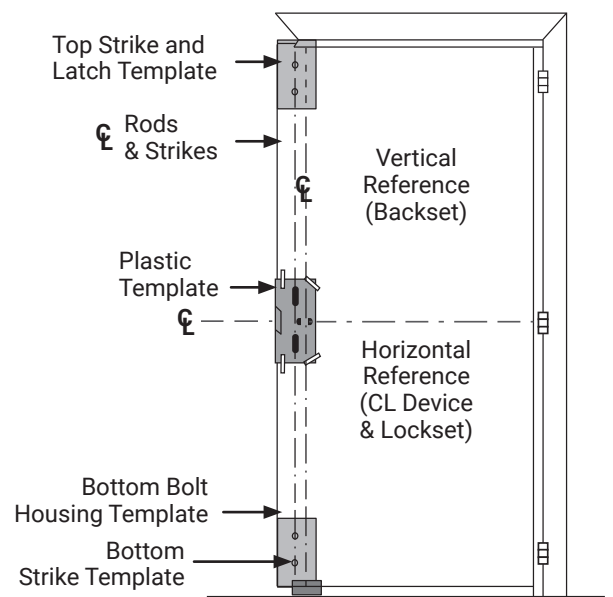


Figure 6

Template Locations



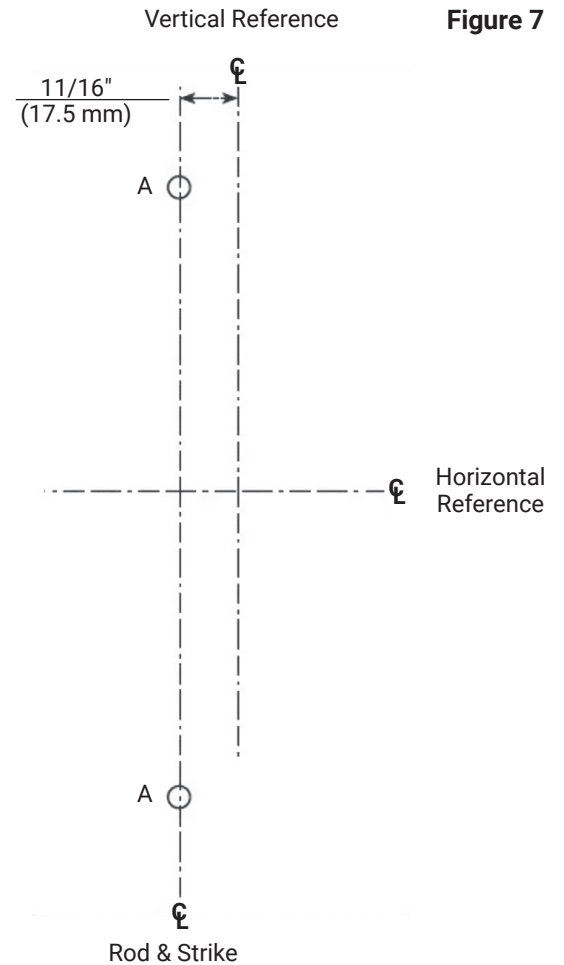
8. Prepare Door & Frame with Templates, continued

1. If trim is used, locate templates packed with trim.
Position templates and mark holes per trim instructions.
2. Drill and tap only those holes needed for the device/
trim being installed.

Plastic Template (Device Seat & Trim)

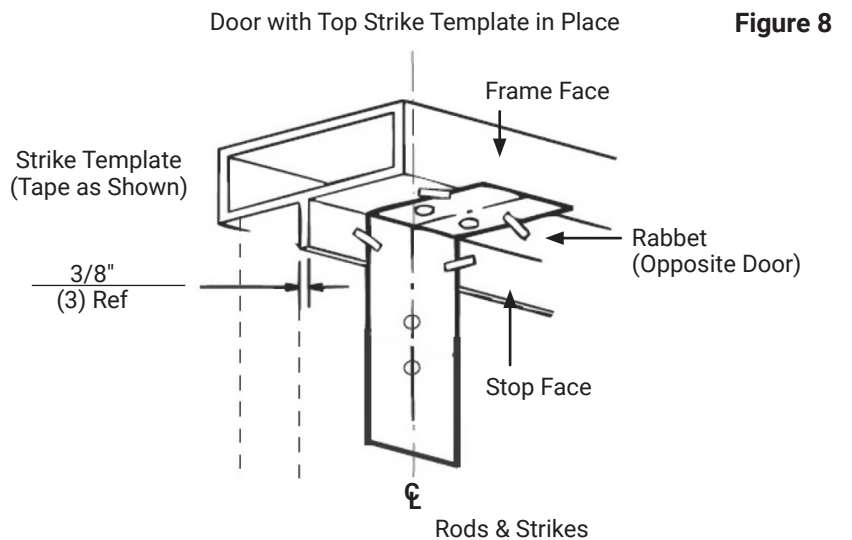
Prepare holes as indicated in **Figure 7** and the table below.

Hole	Door/Frame	Fastener	Preparation
A	Metal Reinforced	1/4-20 PFHMS	Drill: #7 (Ø 0.201") Tap: 1/4-20
	Wood	1/4-20 SNB	Drill: Ø 3/8 thru
	Hollow Metal	1/4-20 SNB	Drill: Ø 5/16 Inside Face Ø 3/8 Outside Face



Top Latch & Strike Template with Door Closed

1. Locate the top latch and strike template.
See **Figure 8** and the template for
correct positioning.
2. Fold and tape the paper template and mark
holes on the frame and door.
3. Drill and tap the latch holes as instructed.
4. Remove the template when complete.
5. Open door, drill and tap top strike holes.



80-9460-6005-000 04/24

8. Prepare Door & Frame with Templates, continued Bottom Latch Template with Door Closed

1. Locate the bottom latch template. See **Figures 9 & 10**, and the template for correct positioning.
2. Fold and tape the paper template on the door and mark holes.
3. Drill and tap the latch holes as instructed.
4. Remove the template when complete.

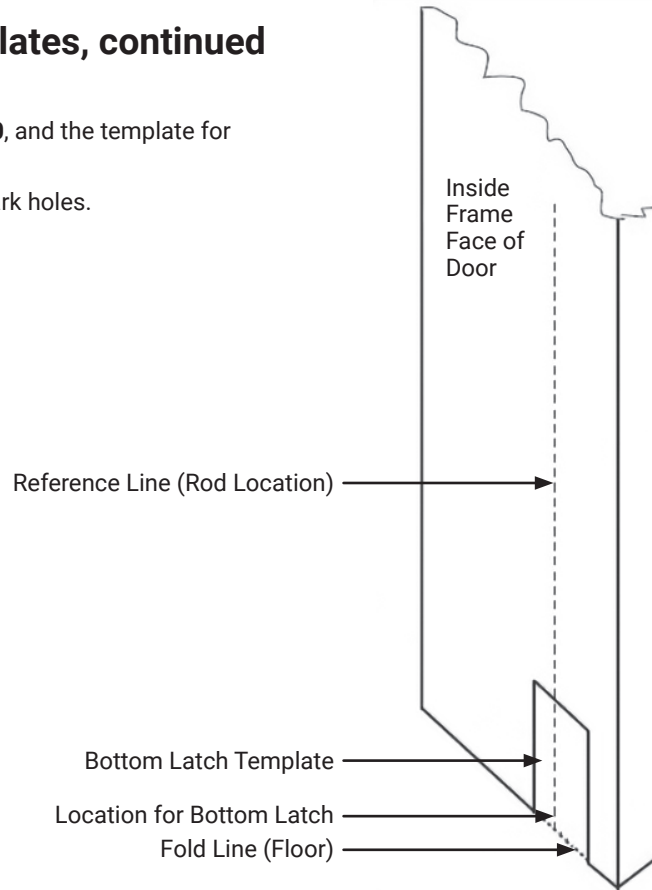


Figure 9

Bottom Strike #790 Template with Door Closed

1. Locate the bottom strike template. See **Figures 9 & 10**, and the template for correct positioning.
2. Ensure bottom latch final position will engage strike.
3. Fold and tape the paper template on the floor and mark hole.
4. Drill hole to the required depth as instructed.
5. Remove the template when complete.

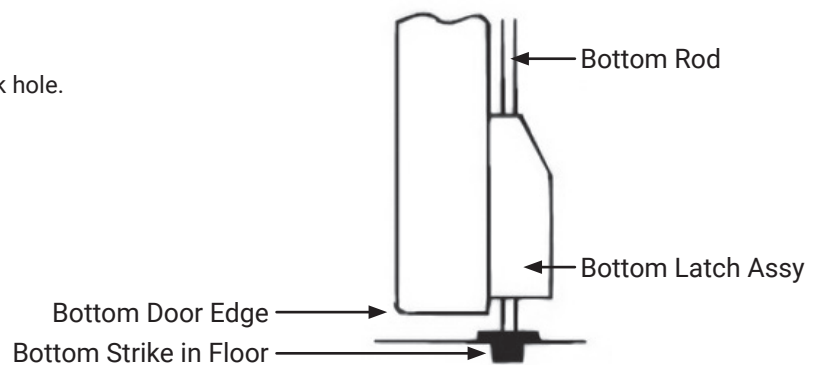


Figure 10

9. Sizing Exit Device

1. Bar must be cut to size if gap between bar and stop surface is less than 2-7/8" (73mm). See table below and Figures 11 and 12.
2. With door closed, measure 2-7/8" (73mm) from stop surface on hinge side of door. Mark horizontal reference line on door.
3. Open door. Align mounting holes in touch bar with mounting holes in the door. Mark touch bar where it crosses the mark from step 2 above.
4. Before cutting, ensure end cover is in place and there is no gap between in and the touch bar.
Cut touch bar on mark from step 3 above.

NOTE: For devices with dogging, hole must be at least 1-5/8" (41.3mm) from cut end of device.

Catalog Size	Door Width		Precut Lengths	
	Minimum	Maximum	Narrow	Wide
24	24" (610mm)	24" (610mm)	—	18.426" (468mm)
36	30" (762mm)	36" (915mm)	32.196" (818mm)	30.426" (773mm)
42	37" (940mm)	42" (1067mm)	38.196" (970mm)	36.426" (925mm)
48	43" (1092mm)	48" (1920mm)	44.156" (1122mm)	42.036" (1068mm)

Figure 11

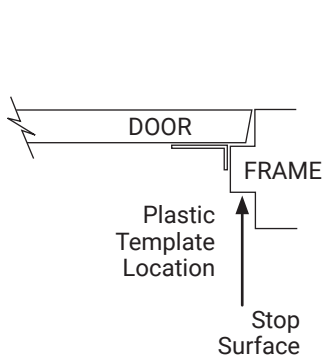
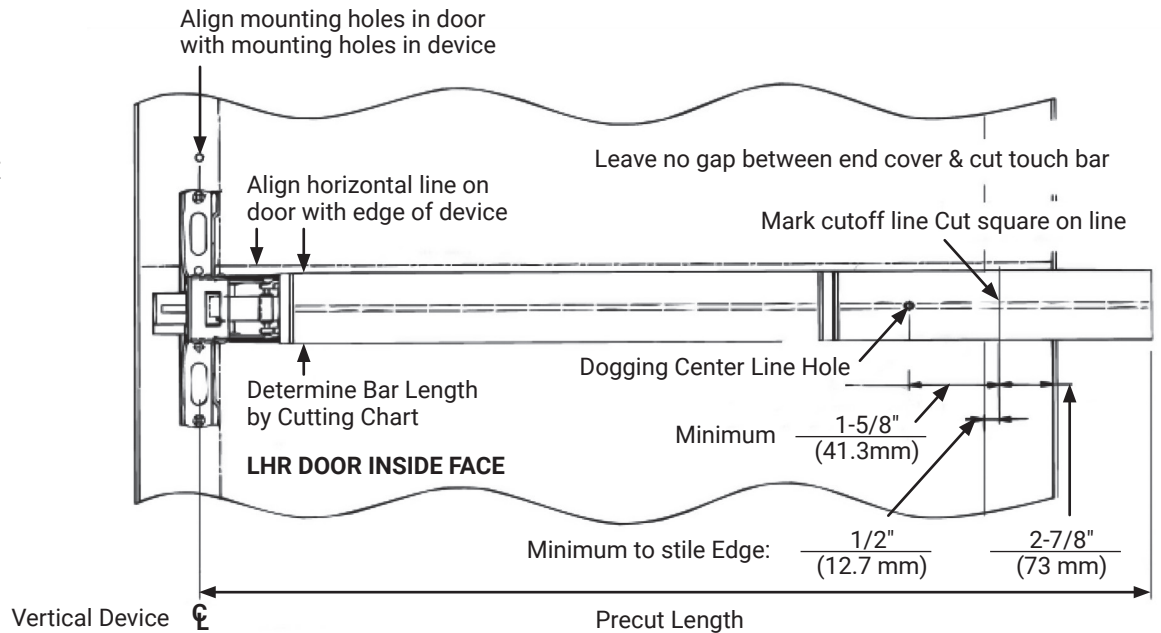


Figure 12



10. Install Device Assembly

1. Mount trim following instructions packed with trim (optional).
2. Mount shims following instructions packed with shim kit (optional).
3. Loosely attach device assembly to door using two (2) 1/4-20 x 1" (25.4mm) PPHMS (see **Figure 13**, door not shown).
4. Level device and slightly tighten screws (see **Figure 14**).

Figure 13

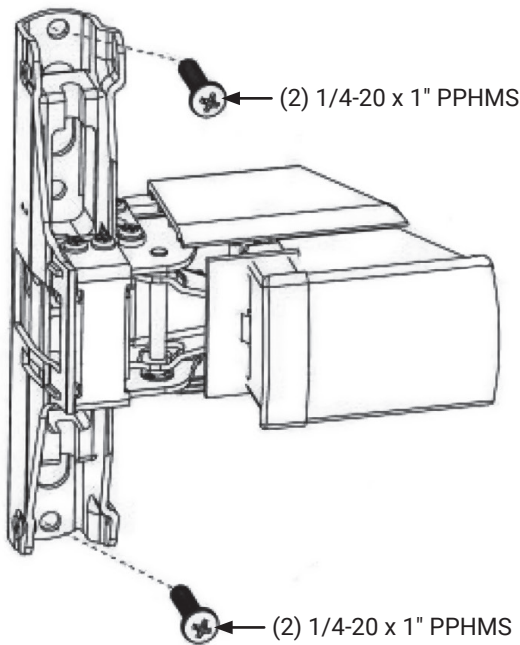
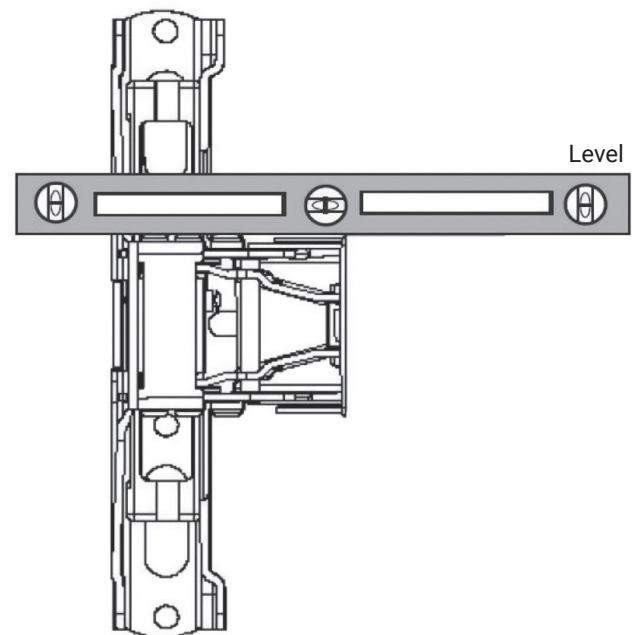


Figure 14



11. Install Device Assembly

1. With the device leveled, insert rear clamp, locate rear clamp holes and mark. Ensure rear clamp is pushed flush against device (See **Figures 15 & 16** on page 13).
2. Using the rear clamp as a template, mark and drill holes for two (2) 1/4-20" screws.
3. Install rear clamp screws and fully tighten all device screws.
4. Slide end cap in place and secure with one (1) #10-24 x 1/2" (12.7mm) PRHMS.
5. Check slide action – full travel will equal 9/16" (14mm).
6. Depress touchbar (slide should move up). Release touchbar (slide should fall back to original rest position).
7. Actuate trim (slide should move up). Release trim actuator (slide should fall back to rest position).
8. While depressing touch bar, turn dogging key CLOCKWISE. Release touch bar (slide must stay up).
9. While depressing touch bar, turn dogging key COUNTERCLOCKWISE. Release touch bar (slide must return to rest position).

NOTE: When resulting operation is faulty, check first for visible binding or interference. If there is no apparent reason for the fault, remove the item from the door and recheck its operation before assuming it is defective.

6170(F) / 6210

Surface Vertical Rod Exit Device Installation Instructions

ACCENTRA

ASSA ABLOY

11. Install Rear Clamp & End Clamp, continued

Figure 15

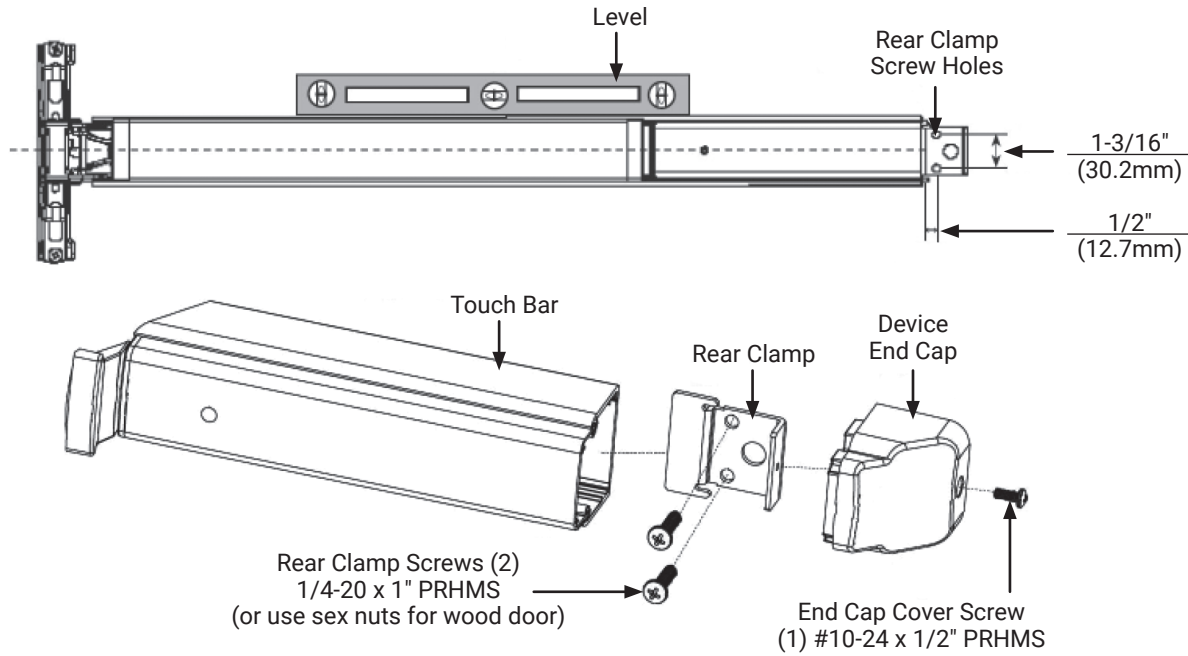
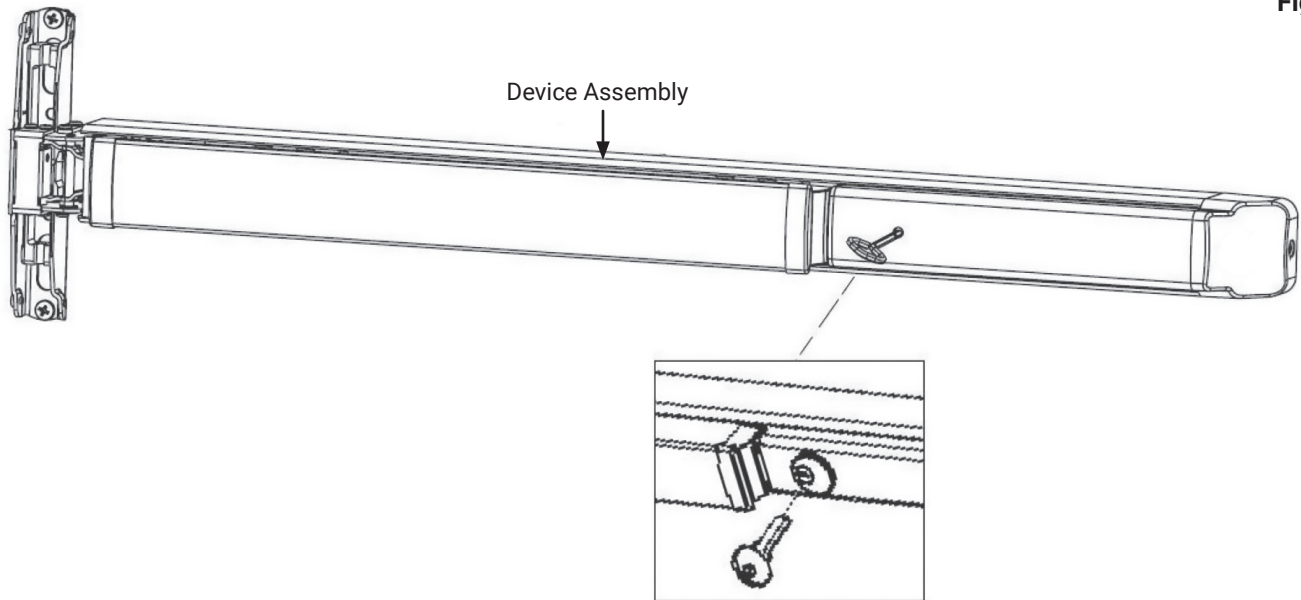


Figure 16



80-9460-6005-000 04/24

1-855-557-5078 Ext. 2 • www.accentra-assaabloy.com

Copyright © 2015, 2016, 2020, 2023, 2024, ASSA ABLOY ACCENTRA™ Access and Egress Hardware Group, Inc. All rights reserved. Reproduction in whole or in part without the express written permission of ASSA ABLOY Access and Egress Hardware Group, Inc. is prohibited.

Experience a safer
and more open world

Figure 17

12. Install Top and Bottom Latches

Install Top Latch (See Figure 17)

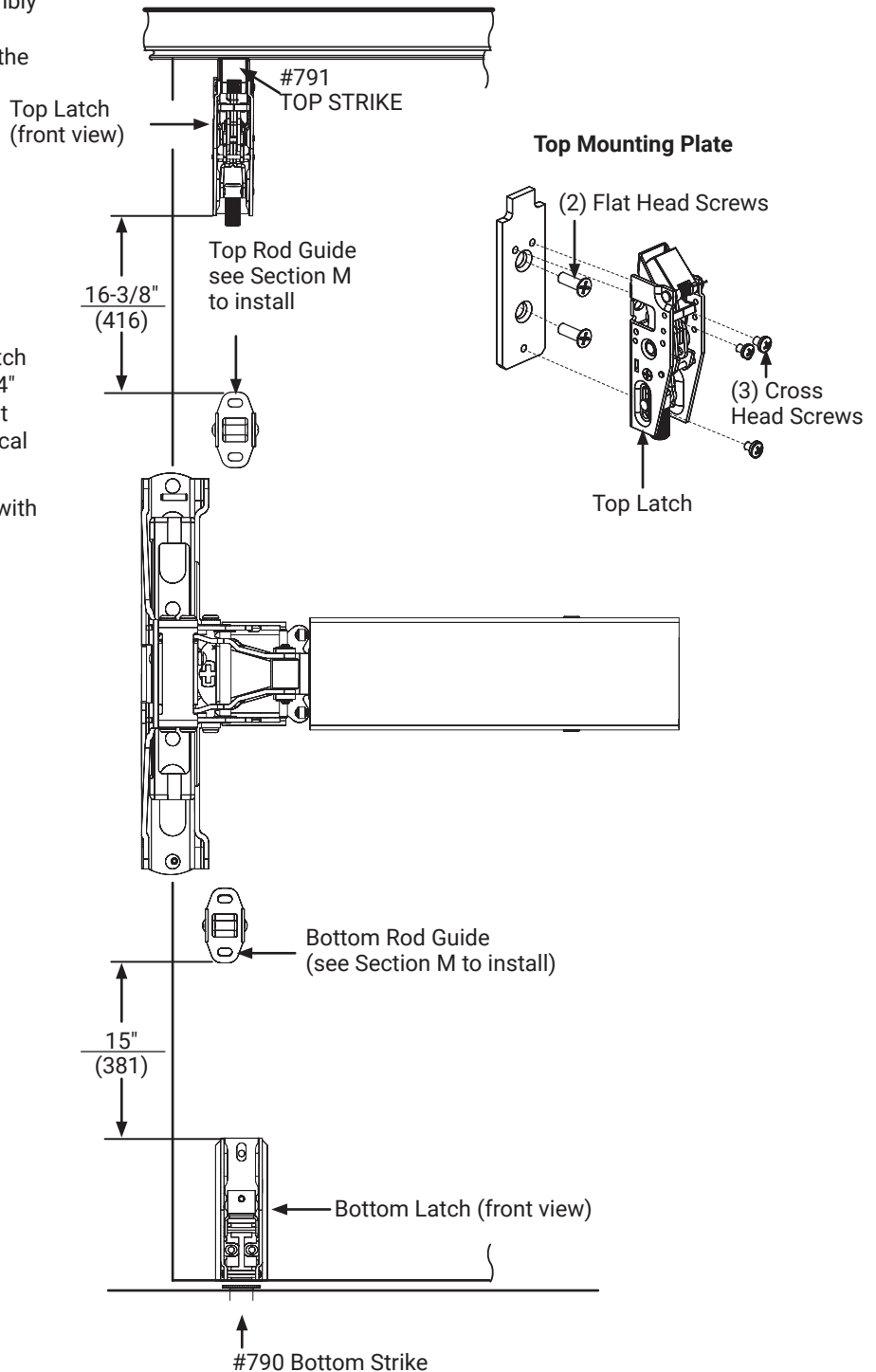
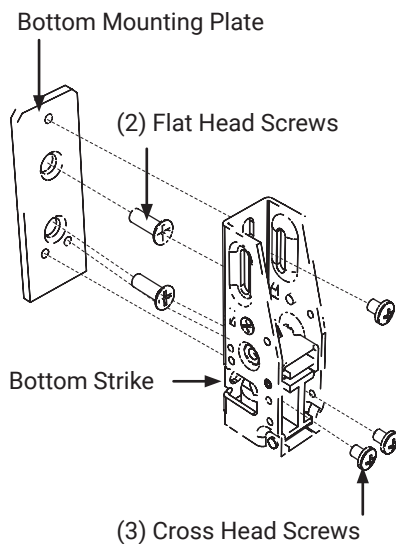
1. Secure top mounting plate for the top latch assembly onto door face with two (2) 1/4-20 x 3/4" (19mm) PFHS in location previously marked according to the top latch template.

Ensure mounting plate is in correct alignment. Refer to Rod & Strike vertical centerlines.

2. Attach top latch assembly to mounting plate with three (3) #10-24 x 1/4" (6.35mm) PRHMS.
3. Tighten all screws.

Install Bottom Latch (See Figure 17)

1. Secure bottom mounting plate for the bottom latch assembly onto door face with two (2) 1/4-20 x 3/4" (19mm) PFHS. Ensure mounting plate is in correct alignment with top rod. Refer to Rod & Strike vertical centerlines.
2. Attach bottom latch assembly to mounting plate with three (3) #10-24 x 1/4" (6.35mm) PRHMS.
3. Tighten all screws.



6170(F) / 6210

Surface Vertical Rod Exit Device Installation Instructions

ACCENTRA

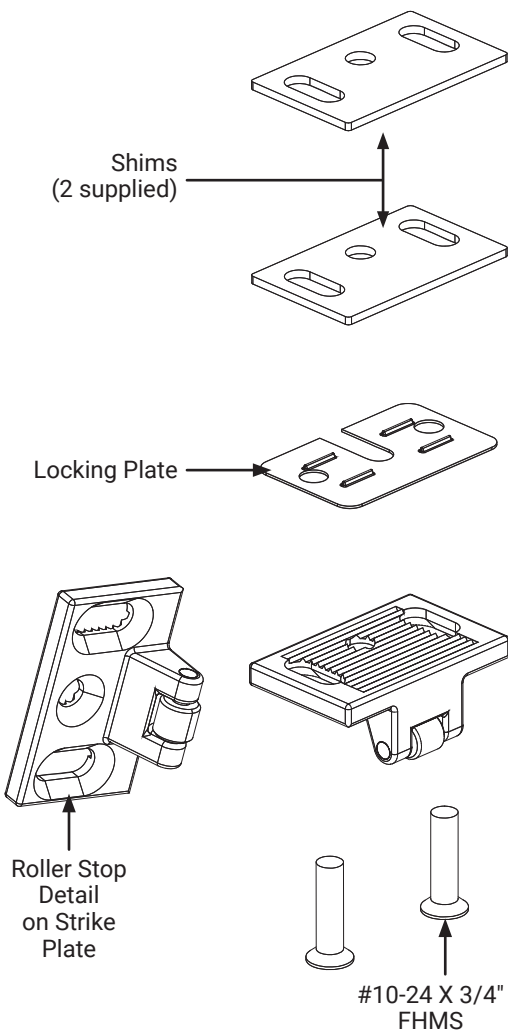
ASSA ABLOY

13. Install Top and Bottom Strikes

Setting #791 Top Strike for 6210 (See Figure 18)

1. Install top strike #791 into door frame with two (2) #10-24 x 3/4" (19mm) PFHMS. Ensure strike is in correct alignment with top latch. (Reserve third screw to install in Section P).
2. Add additional shim if top latch does not seat into top strike (blade stop block must be used where there is no formed stop).
3. Tighten screws.

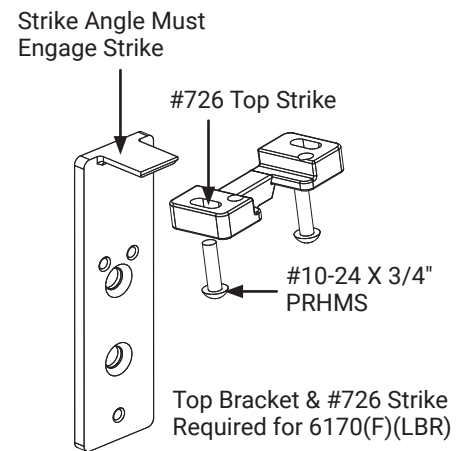
Figure 18



Setting #726 Top Strike for 6170 (Figure 19)

1. Install top strike #726 into door frame with two (2) #10-24 x 3/4" (19mm) PRHMS. Ensure strike is in correct alignment with top latch. (Reserve additional two screws to install in Section P).
2. Tighten screws.

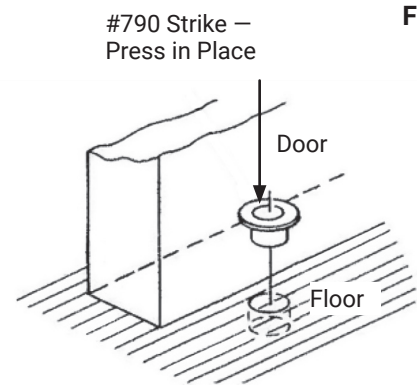
Figure 19



Setting Bottom Strike

1. Locate the position of bottom strike.
2. Remove flooring to accommodate bottom strike.
3. Secure bottom strike #790 into floor (See Figure 20) and press into place.
4. Bottom bolt will retract to 1/8" (3.17mm) above floor strike. Floor covering in the door path must be laid accordingly.

Figure 20



14. Install Top and Bottom Rod Guides

1. Locate rod guide vertically between top latch and device as dimensioned in Section 12. Refer to rod & strike vertical centerline marked from Section 8.
2. Attach top and bottom rod guide brackets onto door with (2) 8 x 1/2" PRH"AB"SMS (see **Figure 21**). If necessary, drill holes, 0.140 (3.50) diameter on inside face of door.
3. Additional rod guides (in pairs) are recommended for openings 8'0" (203mm) or higher.

NOTE: If necessary, add shims behind rod guide for smooth operation.

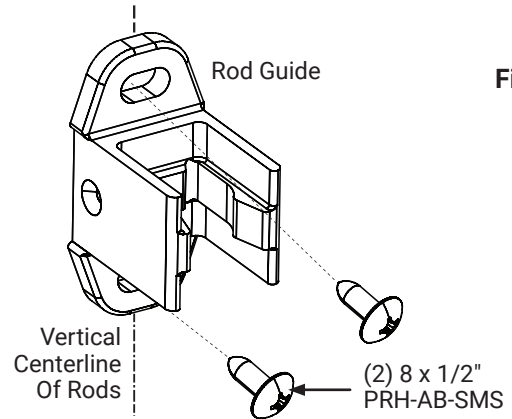


Figure 21

15. Install Top Rod Prepare Top Rod (Figure 22)

To determine rod length, measure door and opening. Measurement must be between top latch and device assembly. Top rod is precut for an 84" (2134mm) opening.

NOTE: For openings – UNDER 84" (2134mm) top rod must be cut. DEDUCT OPENING HEIGHT from 84" (2134mm).

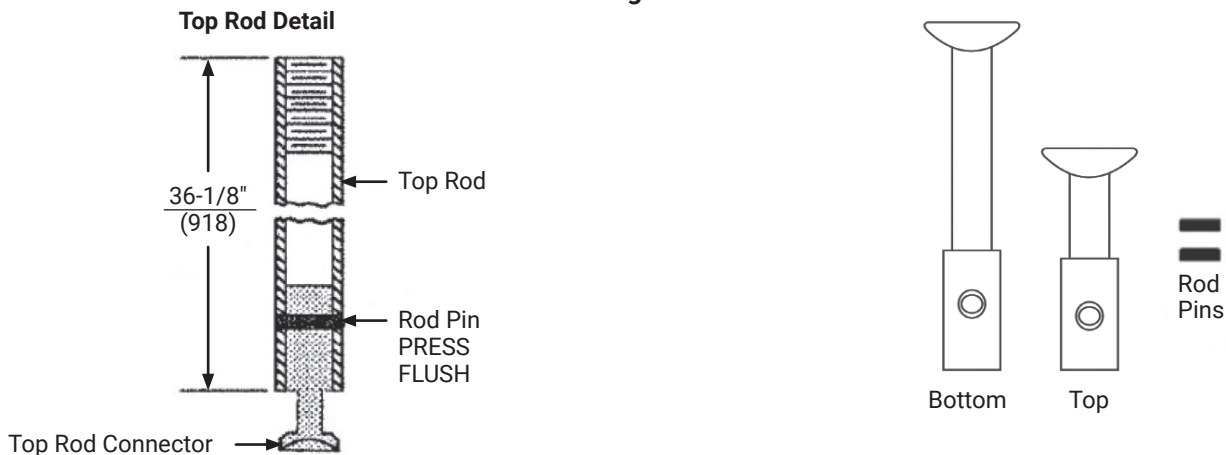
Example: Opening = 80" (2032mm) 84" (2134mm) - 80" (2032mm) = 4" (102mm) Top Rod must be cut 4" (102mm)

For openings – OVER 84" (2134mm) top rod must be lengthened. For top rod additional length DEDUCT 84" (2134mm) from OPENING HEIGHT.

Example: Opening = 99" (2515mm) 99" (2515mm) - 84" (2134mm) = 15" (381mm)

Top Rod must be lengthened 15" (381mm)

Figure 22



6170(F) / 6210

Surface Vertical Rod Exit Device Installation Instructions

15. Install Top Rod, continued.

Important: Before cutting or lengthening either rod, measure both top and bottom rod attached to the device for a correct fit.

To Lengthen Rods (Figure 23)

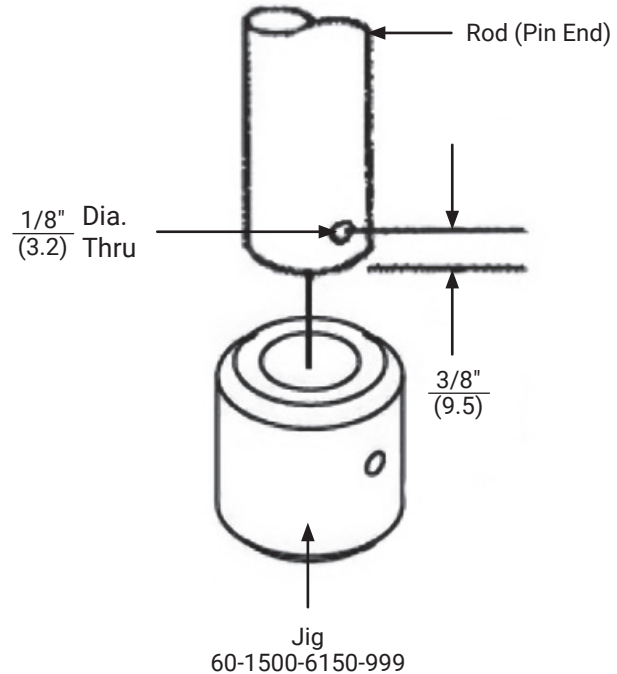
1. Use rod extension(s) to extend rod to length needed (2", 6", or 12") rod extensions available, specify device finish).
2. Cut excess length from end of rod with pin hole.
3. Apply screw locking compound to rod extension(s) male threads.
4. Thread extension(s) until seated tight over rod.

To Cut Rods

1. Cut from end with pin hole. NEVER CUT THREADED END.
2. Press jig until it bottoms over rod.
3. Drill 1/3" (3.2mm) diameter hole through 3/8" (9.52mm) from end of rod.
4. Insert top rod connector into top rod and insert rod pin to secure. Pin should be flush
5. on both sides. Insert rod into device assembly. See **Figure 23**.

Jig Device Detail

Figure 23



16. Install Bottom Rod

Prepare Bottom Rod

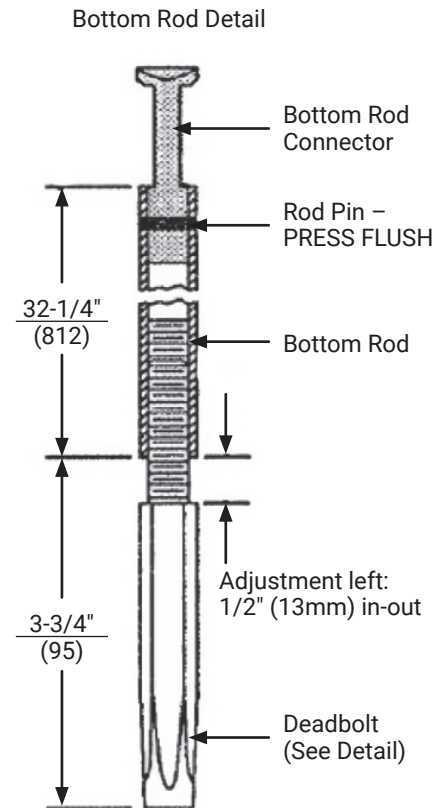
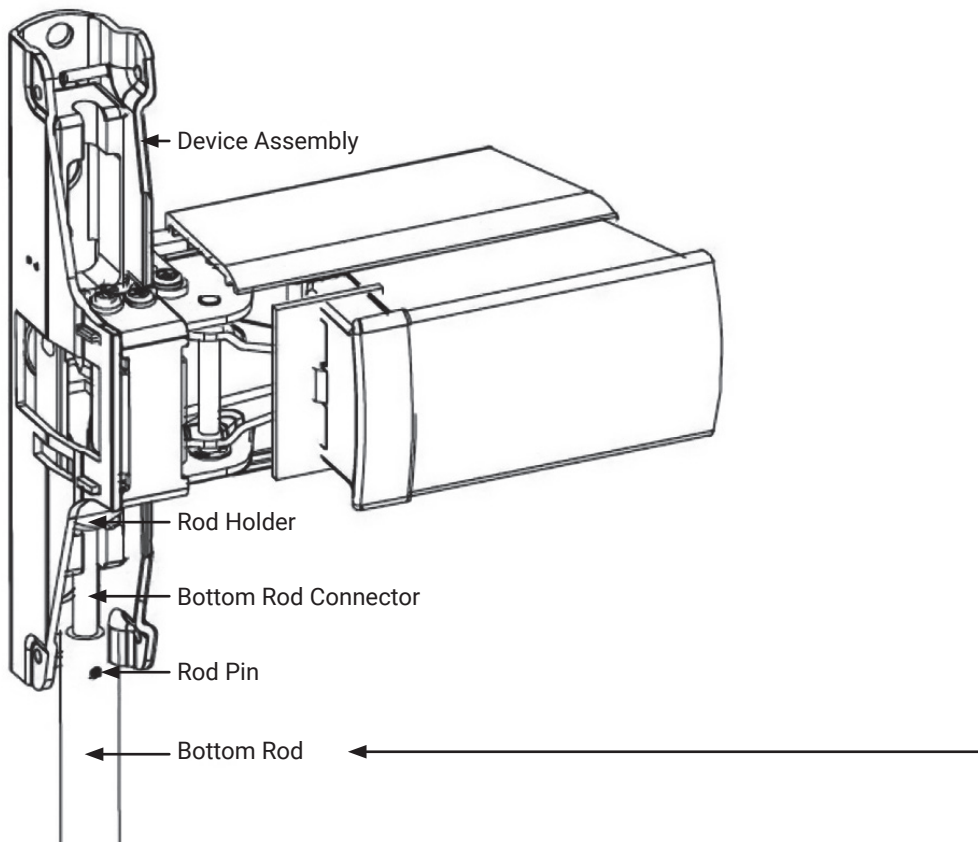
1. To determine rod length, measure door and opening. Measure between device centerline and finish floor. Bottom rod is correctly sized for a device centerline located at 39 - 15/16" (1014mm) above the finish floor.
2. Device assembly may be lowered. If device is lowered ensure bottom rod is cutoff the equal measurement the device was lowered. As well as adding rod length to upper rod from device to top latch.

Example: Device at 36" (914mm) from floor
 $39 - 15/16" (1014mm) - 36" (914mm) = 3 - 15/16" (100mm)$
 Bottom Rod must be cut 3 - 15/16" (100mm)
 Top Rod must be lengthened 3 - 15/16" (100mm)

3. Insert bottom rod connector into bottom rod and insert rod pin to secure. Pin should be flush on both sides. Screw on deadbolt. Insert rod into device assembly (see **Figure 24**).
4. Ensure both top and bottom rods are securely attached to upper and lower latches and device assembly.

Device Assembly
with Bottom Rod

Figure 24



17. Top & Bottom Rod Adjustment

Install - Adjust Top Rod & Top Strike

1. Install rods as shown in **Figure 25**. Thread top rod into top latch. Lift rod to fully retract top latch bolt.
2. Depress touch bar and hold. Adjust top rod length until rod connector seats into slide assembly in top latch.
3. If top latch bolt does not remain retracted when door is opened, top rod is too short. Top and bottom rods may be adjusted by tilting rod out and turning, Shorter-CW (clockwise), Longer-CCW (counterclockwise). See adjustment to rod. Top latch bolt should retract flat.
4. If upper latch will not deadlock, top rod is too long. Rotate as above to decrease length.
5. Set top strike roller between tripping lever and bolt on the top latch. **NOTE: DO NOT PRELOAD BOLT.**
6. Adjust and shim top strike for zero door rattle.

Install - Adjust Bottom Rod and Bottom Strike

1. With door open, depress touch bar to retract upper latch.
2. Slide deadbolt through latch and hang lower rod from bottom of latch slide.
3. With door open, push touch bar to retract bottom latch. Adjust bolt height by pulling the rod out and rotating until the bolt clears the strike by 1/8" above floor level.

Test Device

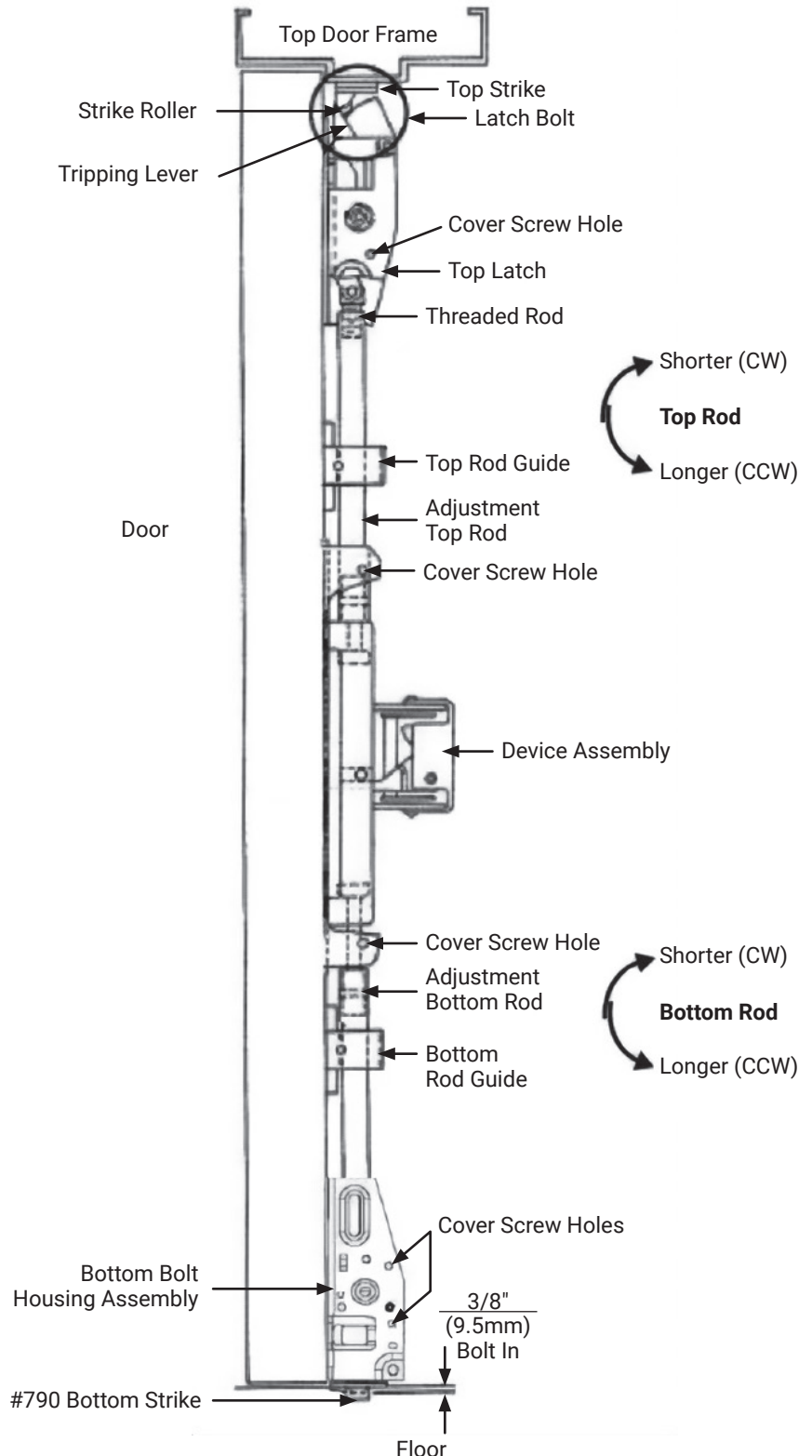
1. Test device action with touch bar, trim and by dogging.
2. Adjust as needed.
3. Upper bolt should retract flat. Bottom bolt should clear strike by 1/8" (12.7mm). Bolts should extend when door shuts and top strike hits tripping lever.
4. Using strike as a guide, drill and tap remaining strike hole(s) into top strike to lock in position from previous step once adjustments are made and correct operation is confirmed.

#791-Install (1) #10-24x3/4" (19.0mm) PFHMS

#726-Install (2) #10-24x3/4" (19.0mm) PRHMS

Side View of Door and Exit Device in Place

Figure 25



80-9460-6005-000 04/24

18. Install Top & Bottom Rod Guide Covers

1. Install top and bottom rod guide covers with two (2) 6 x 3/8" (9.5mm) PFH-AB-SMS. Gently tighten screws. See **Figure 26**.
2. Test that rods move freely in guides without rubbing by depressing the touch bar.

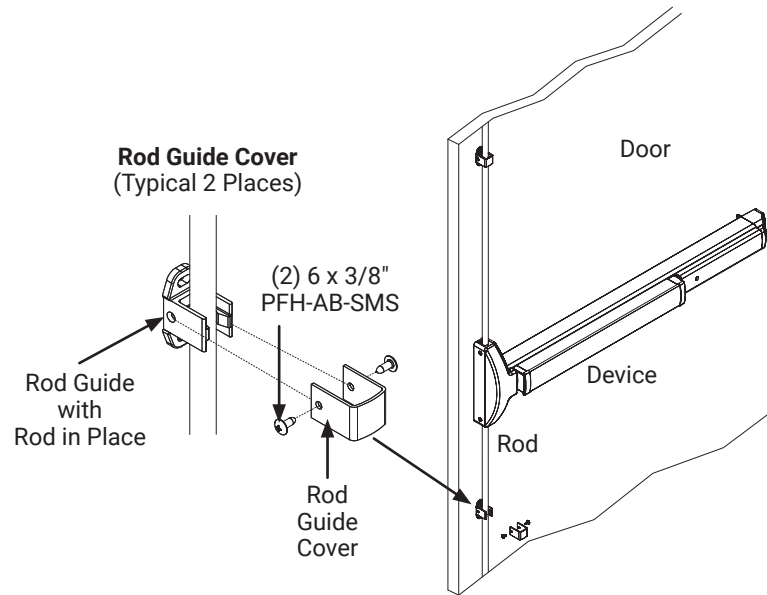


Figure 26

19. Install Latch Covers

1. Install top and bottom latch covers as shown with four (4) #8x32 x 1/4" (6.4mm) PFHMS. See **Figure 27**.
2. Fully tighten screws.

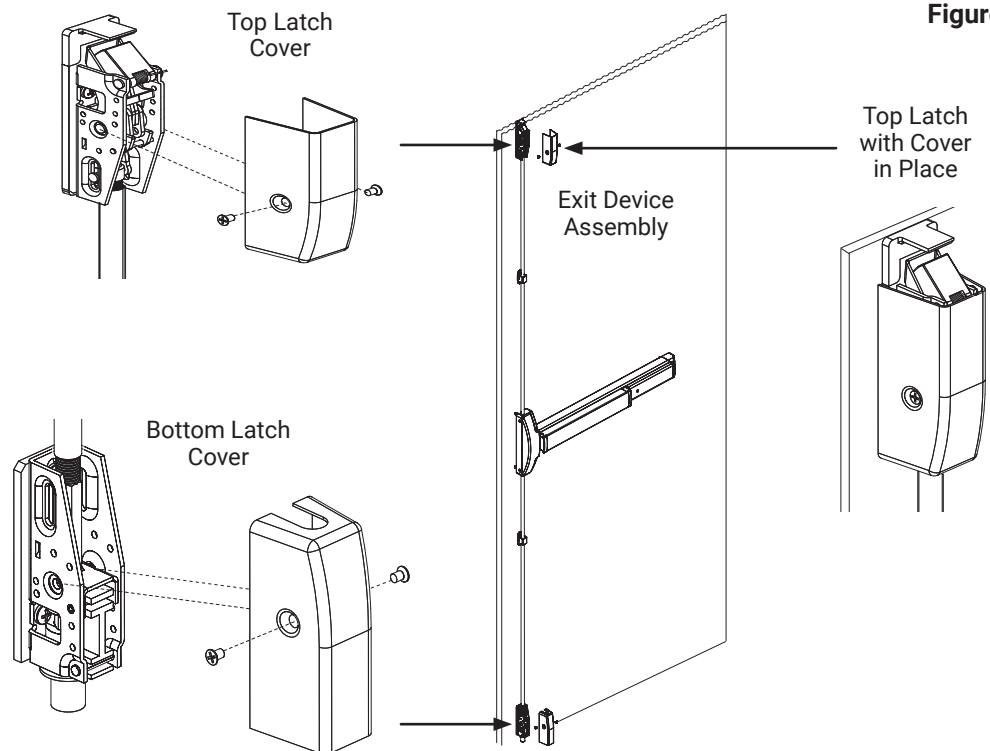


Figure 27

6170(F) / 6210

Surface Vertical Rod Exit Device Installation Instructions

ACCENTRA
ASSA ABLOY

20. Install Device Assembly Cover

1. Secure device assembly cover with two (2) #8-32 x 5/16" (7.94mm) PUFHUMS. Fully tighten screws (Figure 28).
2. Install plug into circular keyhole or retain and store the key, if keyed option.

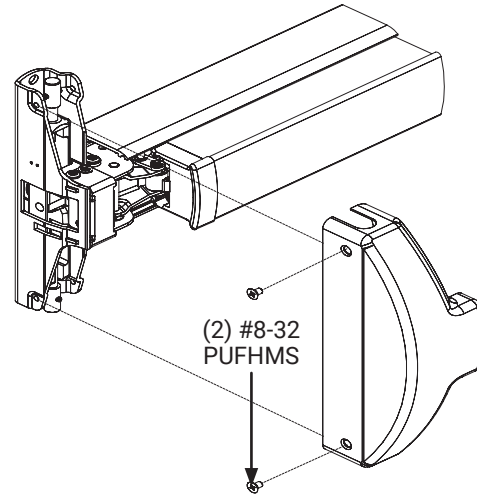


Figure 28

21. Operations & Maintenance

1. See Figure 29. Check and inspect operation of:
Install plug into circular keyhole or retain and store the key, if keyed option.
 - Trim and touch bar
 - Strike plate and bolt engagement
 - Key (optional)
2. Periodically remove covers, inspect and coat mechanisms with a silicone base lubricant. This is required in corrosive environments for proper functionality.
3. Check mounting fasteners periodically and tighten if loose. Apply screw locking compound or change part fasteners if screws continue to back out.
4. Periodic checks (and adjustments) of strikes are required to compensate for wear and tear (e.g. door sagging).

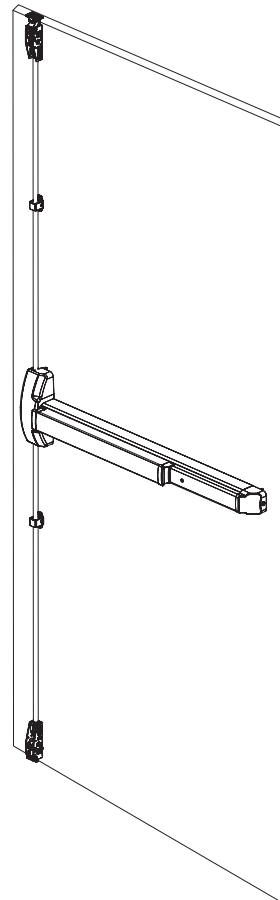


Figure 29

ACCENTRA

ASSA ABLOY

6170(F) / 6210

**Surface Vertical Rod Exit Device
Installation Instructions**

6170(F) / 6210

Surface Vertical Rod Exit Device Installation Instructions

ACCENTRA

ASSA ABLOY

