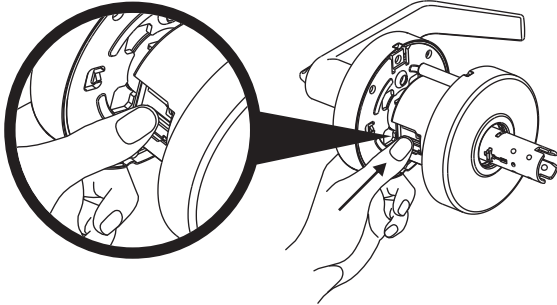
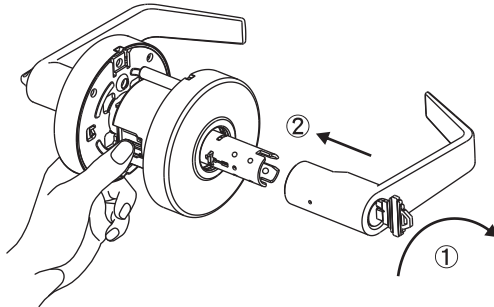


2550 & 2553 Lever Re- Key Supplemental Instruction

- 1** Before installation, make sure the lock is in unlocked mode. Press the retractor as illustrated.



- 2** Insert the key into the outside lever and turn it 90 degree clockwise. Push the outside lever onto the chassis until the catch engages in lever.



- 3** Turn the key counterclockwise to the position it was and let go of the retractor.

