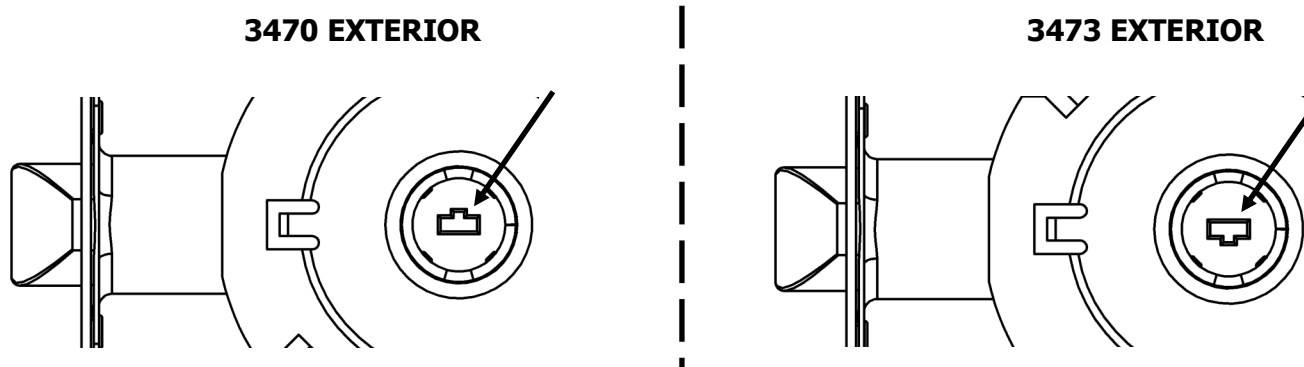
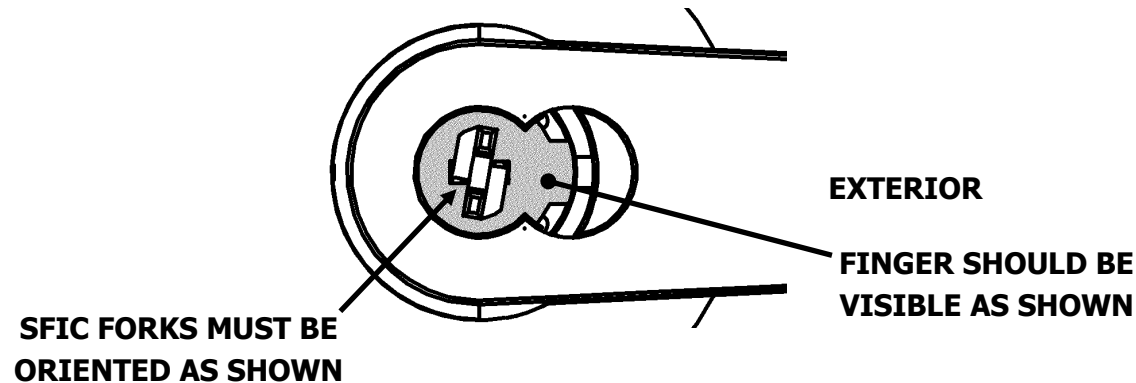


STEP 1: Using a flat blade screwdriver, orient the cam in the lock chassis as shown below



STEP 2: Orient the tailpieces in the mating spring cages to match the cams above. Install the exterior spring cage first, followed by the interior spring cage, lining up the cams and tailpieces so they mate together. Do not force the fit.

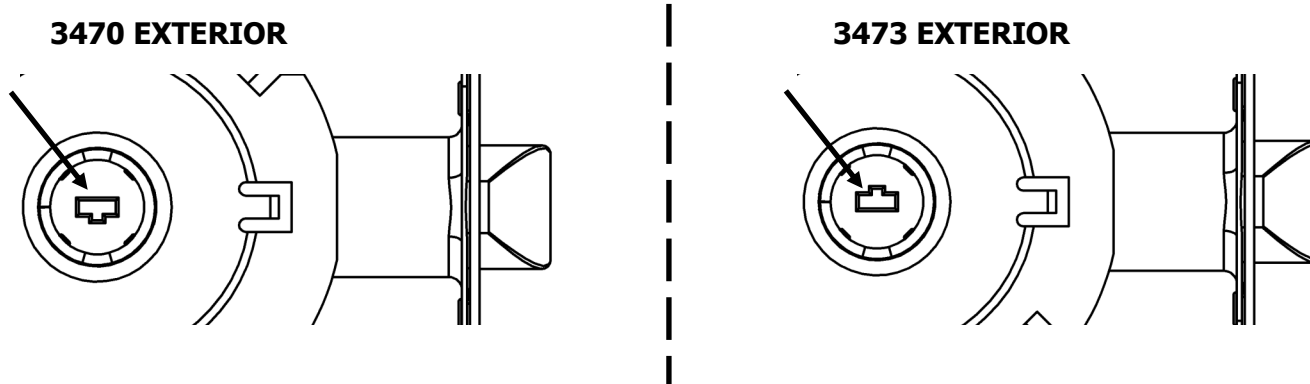


STEP 3: Install SFIC Core in lever

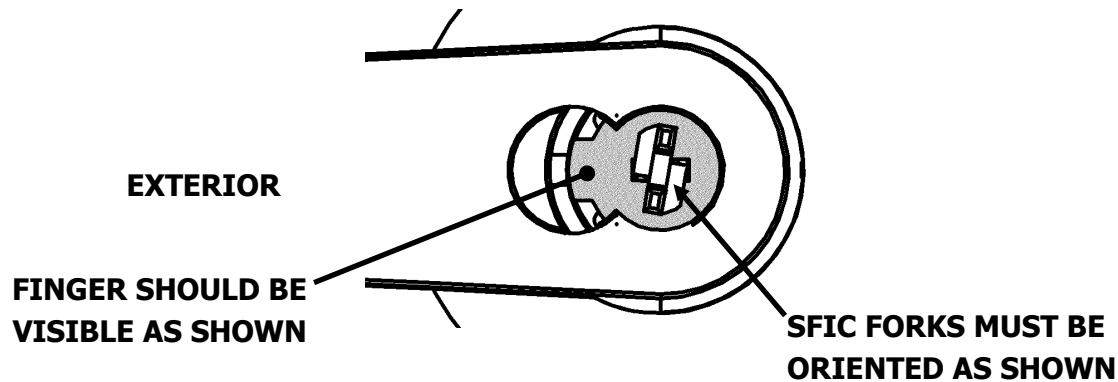
VERIFY INSTALLATION: Using the keys, check the lock timing. The lock is properly timed if the key rotates 360° to lock and unlock the door.

DOOR HANDING: LH/LHR

STEP 1: Using a flat blade screwdriver, orient the cam in the lock chassis as shown below



STEP 2: Orient the tailpieces in the mating spring cages to match the cams above. Install the exterior spring cage first, followed by the interior spring cage, lining up the cams and tailpieces so they mate together. Do not force the fit.



STEP 3: Install SFIC Core in lever

VERIFY INSTALLATION: Using the keys, check the lock timing. The lock is properly timed if the key rotates 360° to lock and unlock the door.