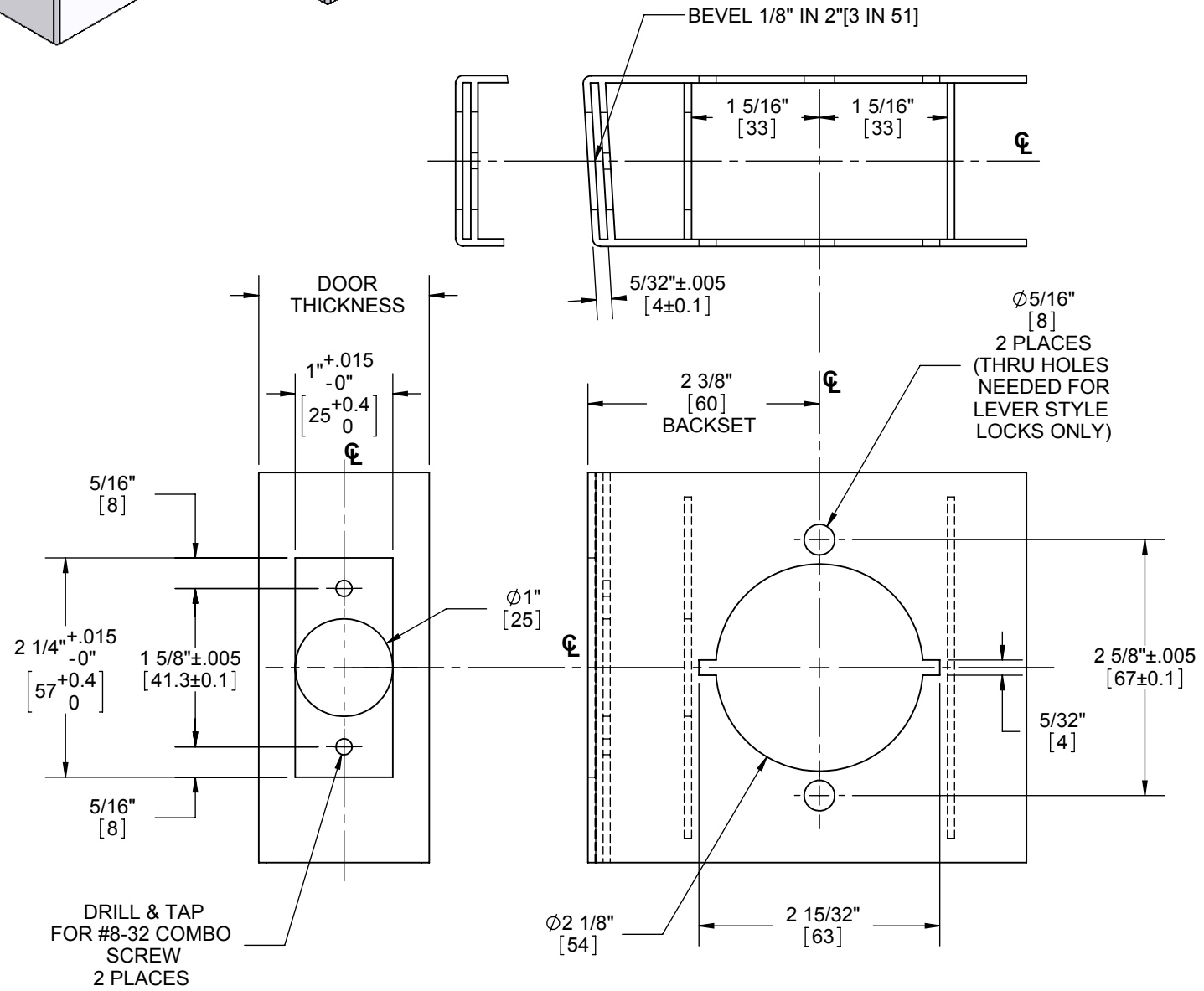
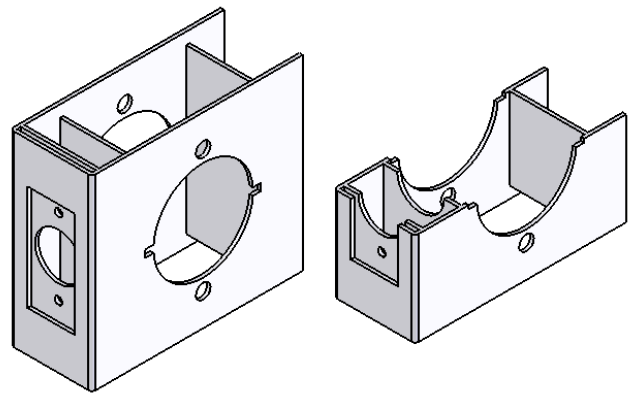


| REVISIONS | | |
|-----------|------------------------|------------|
| REV. | DESCRIPTION | DATE |
| 02 | ADD CENTERLINES | 12/19/2007 |
| 03 | UPDATED THRU HOLE NOTE | 5/8/2008 |
| 04 | UPDATED NOTES | 7/1/2008 |



- DOOR TYPE:** METAL, FLAT OR BEVELED
- DOOR THICKNESS:** KNOBS 1 3/8"[35] - 1 3/4"[45], LEVERS 1 3/8"[35] - 2"[51]
- FACEPLATE:** SQUARE 1"[25] WIDTH
- BACKSETS:** 2 3/8"[60]



HAGER RESERVES THE RIGHT TO MAKE DESIGN CHANGES WITHOUT NOTICE. CALL HAGER ENGINEERING AT 1-800-325-9995 FOR THE LATEST REVISION DATE OF TEMPLATE.

PRIMARY DIMENSIONS SHOWN IN INCHES, DIMENSIONS IN [] ARE MILLIMETERS.

MATERIAL
Material <not specified>

FINISH
-

DO NOT SCALE DRAWING

DRAWN MRJ 12/14/2007

ENG. APPR. - -

Q.A.

TOLERANCES:
FRACTIONAL: ±0.015"
ANGULAR: MACH: ± 1° BEND: ±1°
TWO PLACE DECIMAL: ±0.01"
THREE PLACE DECIMAL: ±0.004"

3500
METAL DOOR PREP TEMP FOR 2 3/8"
BACKSET

SIZE DWG. NO. REV.
A T-LS00185 04

SCALE: 1:2 WEIGHT: 0.13 SHEET 1 OF 1