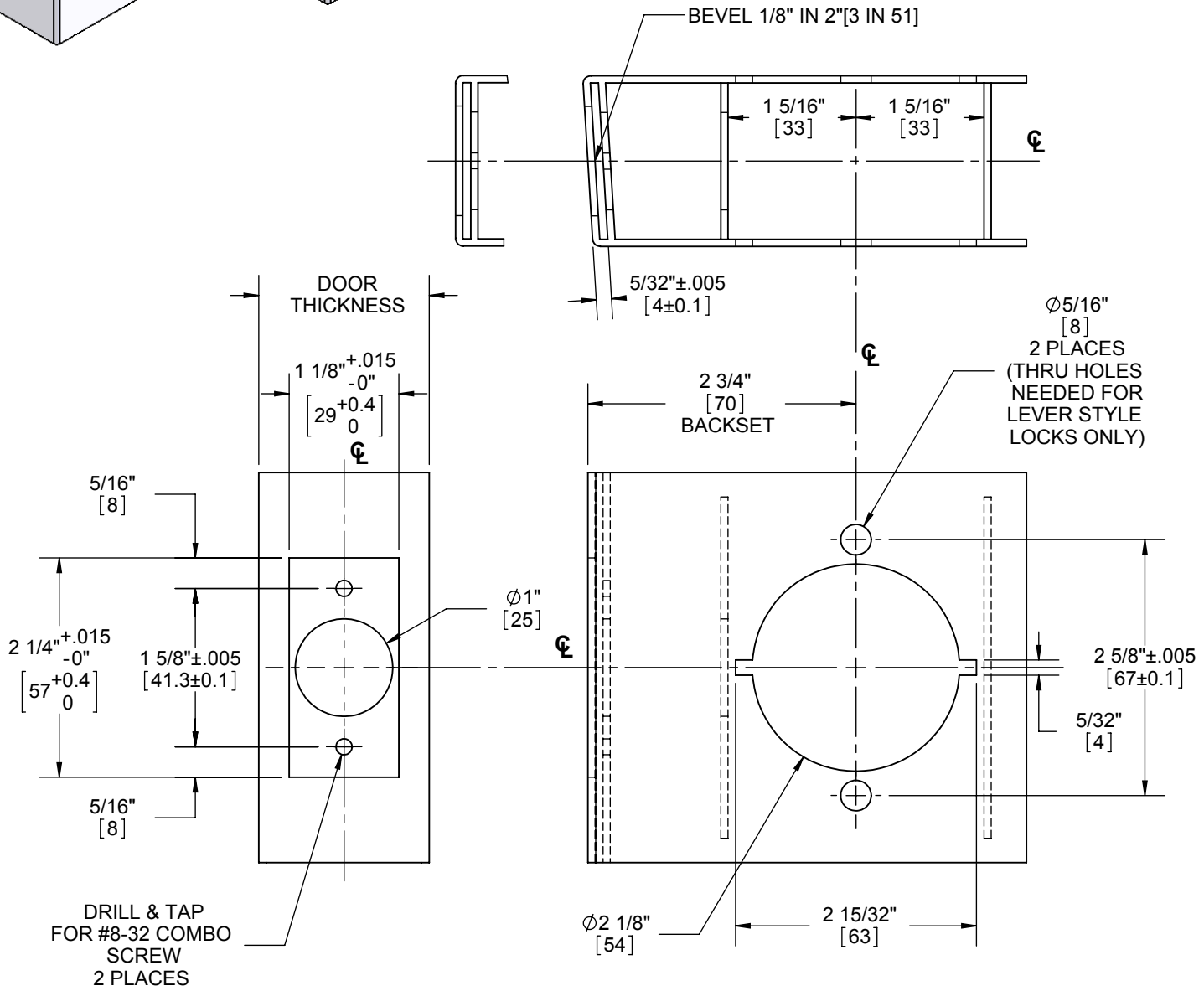
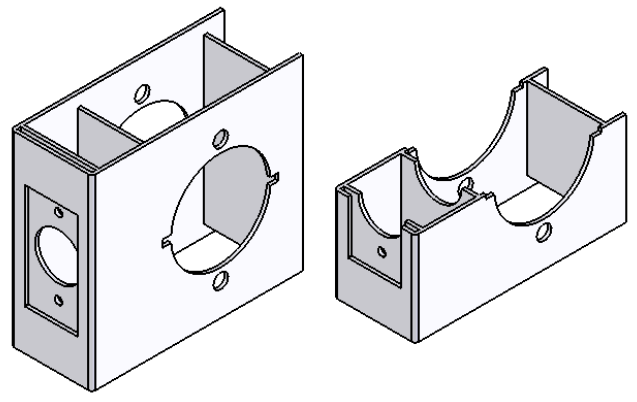


REVISIONS		
REV.	DESCRIPTION	DATE
01	UPDATE NOTES	12/19/2007
02	ADD CENTERLINES	12/19/2007
03	UPDATED THRU HOLE NOTE	5/8/2008



- DOOR TYPE:** METAL, FLAT OR BEVELED
- DOOR THICKNESS:** KNOBS 1 3/8"[35] - 1 3/4"[45], LEVERS 1 3/8"[35] - 2"[51]
- FACEPLATE:** SQUARE 1 1/8"[29] WIDTH
- BACKSETS:** 2 3/4"[70], 5"[127] OPTIONAL

DIMENSIONS IN [] ARE IN MILLIMETERS



HAGER RESERVES THE RIGHT TO MAKE DESIGN CHANGES WITHOUT NOTICE. CALL HAGER ENGINEERING AT 1-800-325-9995 FOR THE LATEST REVISION DATE OF TEMPLATE.

PRIMARY DIMENSIONS SHOWN IN INCHES, DIMENSIONS IN [] ARE MILLIMETERS.

MATERIAL
Material <not specified>

FINISH
-

DO NOT SCALE DRAWING

DRAWN MRJ 12/14/2007

ENG. APPR. - -

Q.A.

TOLERANCES:
 FRACTIONAL: ±0.015"
 ANGULAR: MACH: ± 1° BEND: ±1°
 TWO PLACE DECIMAL: ±0.01"
 THREE PLACE DECIMAL: ±0.004"

3500
 METAL DOOR PREP TEMP FOR 2 3/4"
 BACKSET

SIZE **A** DWG. NO. T-LS00184 REV. 03

SCALE: 1:2 WEIGHT: 0.13 SHEET 1 OF 1