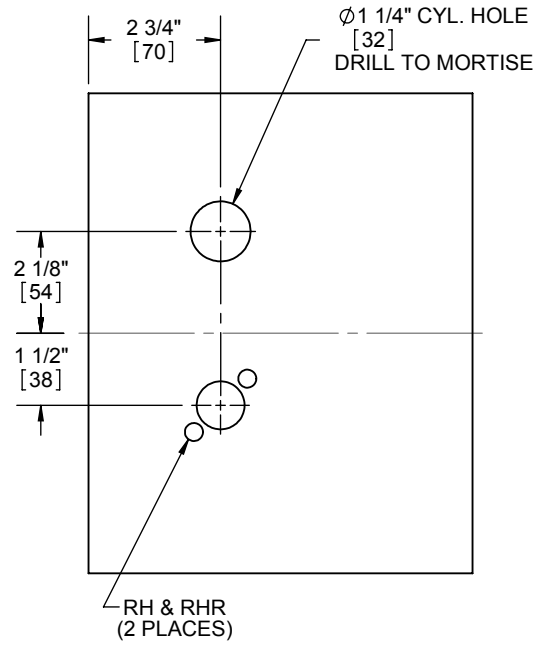
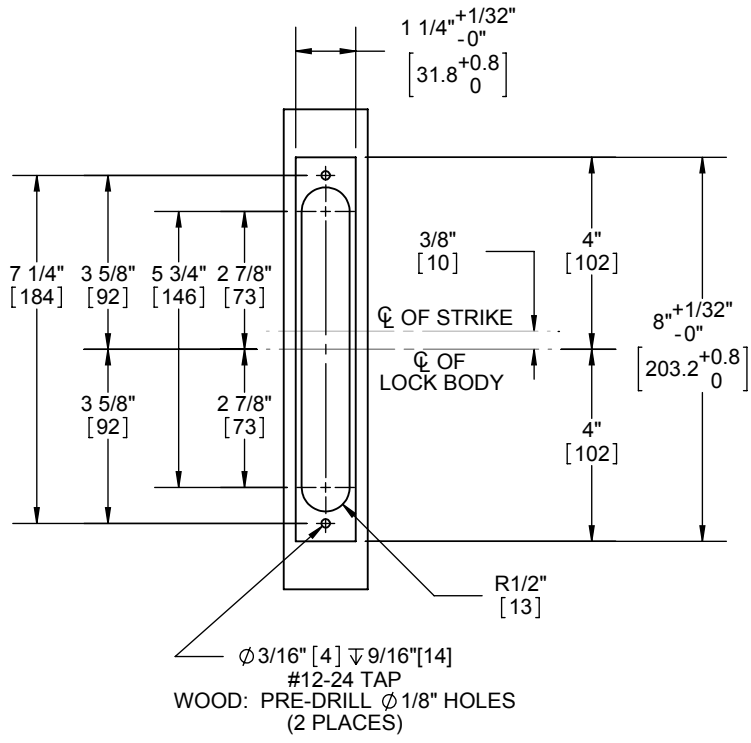



**INSIDE**



**OUTSIDE**

( RH, RHR SECTIONAL SHOWN)

 <p><b>PROPRIETARY &amp; CONFIDENTIAL</b>          THE INFORMATION CONTAINED IN THIS DRAWING IS THE SOLE PROPERTY OF HAGER COMPANIES. ANY REPRODUCTION IN PART OR AS A WHOLE WITHOUT THE WRITTEN PERMISSION OF HAGER COMPANIES IS PROHIBITED.</p>	<p>HAGER RESERVES THE RIGHT TO MAKE DESIGN CHANGES WITHOUT NOTICE. CALL HAGER ENGINEERING AT 1-800-325-9995 FOR THE LATEST REVISION DATE OF TEMPLATE.</p>	DRAWN	TJS	9/21/07	<p>3800          3800 SECTIONAL DOOR PREP,          FUNCTIONS: 50, 53, 56, 73, 81</p>			
		MATERIAL	-	ENG. APPR.			-	Q.A.
		FINISH	-	<p>TOLERANCES:          FRACTIONAL: <math>\pm 0.015"</math>          ANGULAR: MACH: <math>\pm 1^\circ</math> BEND: <math>\pm 1^\circ</math>          TWO PLACE DECIMAL: <math>\pm 0.01"</math>          THREE PLACE DECIMAL: <math>\pm 0.004"</math></p>			SIZE	DWG. NO.
		DO NOT SCALE DRAWING					A	T-LS00771
					SCALE: 1:4	WEIGHT: -	REV. 04	
					SHEET 5 OF 14			