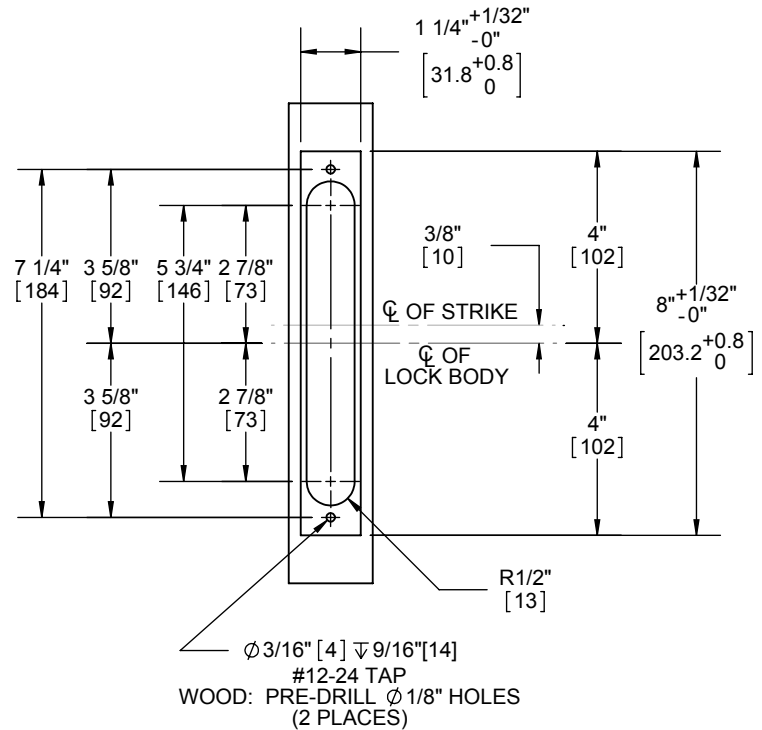
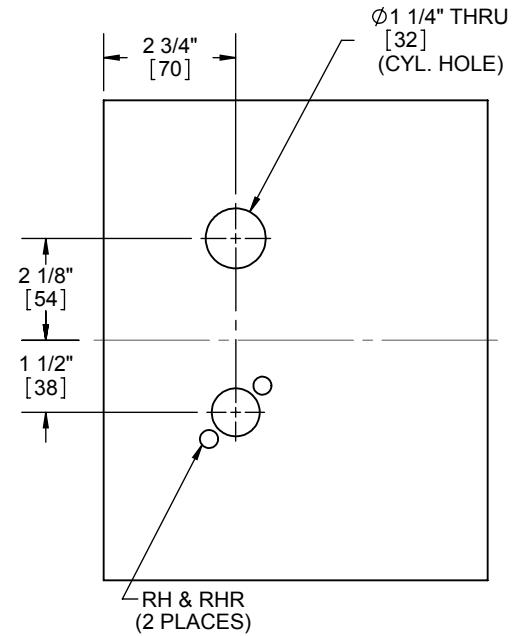


**INSIDE**




WOOD: PRE-DRILL  $\phi 1/8"$  HOLES (2 PLACES)



**OUTSIDE**

( RH, RHR SECTIONAL SHOWN)

 <p><b>PROPRIETARY &amp; CONFIDENTIAL</b></p> <p>THE INFORMATION CONTAINED IN THIS DRAWING IS THE SOLE PROPERTY OF HAGER COMPANIES. ANY REPRODUCTION IN PART OR AS A WHOLE WITHOUT THE WRITTEN PERMISSION OF HAGER COMPANIES IS PROHIBITED.</p>	<p>HAGER RESERVES THE RIGHT TO MAKE DESIGN CHANGES WITHOUT NOTICE. CALL HAGER ENGINEERING AT 1-800-325-9995 FOR THE LATEST REVISION DATE OF TEMPLATE.</p>	<p>DRAWN TJS 9/21/07</p>	<p>3800</p>	
		<p>ENG. APPR. - -</p>	<p>3800 SECTIONAL DOOR PREP, FUNCTIONS: 57, 61, 66, 82, 83</p>	
		<p>Q.A.</p>	<p>TOLERANCES:            FRACTIONAL: <math>\pm 0.015"</math>            ANGULAR: MACH: <math>\pm 1^\circ</math> BEND: <math>\pm 1^\circ</math>            TWO PLACE DECIMAL: <math>\pm 0.01"</math>            THREE PLACE DECIMAL: <math>\pm 0.004"</math></p>	
		<p>DO NOT SCALE DRAWING</p>	<p>SIZE <b>A</b> DWG. NO. T-LS00771</p>	<p>REV. <b>04</b></p>
		<p>SCALE: 1:4</p>	<p>WEIGHT: -</p>	<p>SHEET 7 OF 14</p>