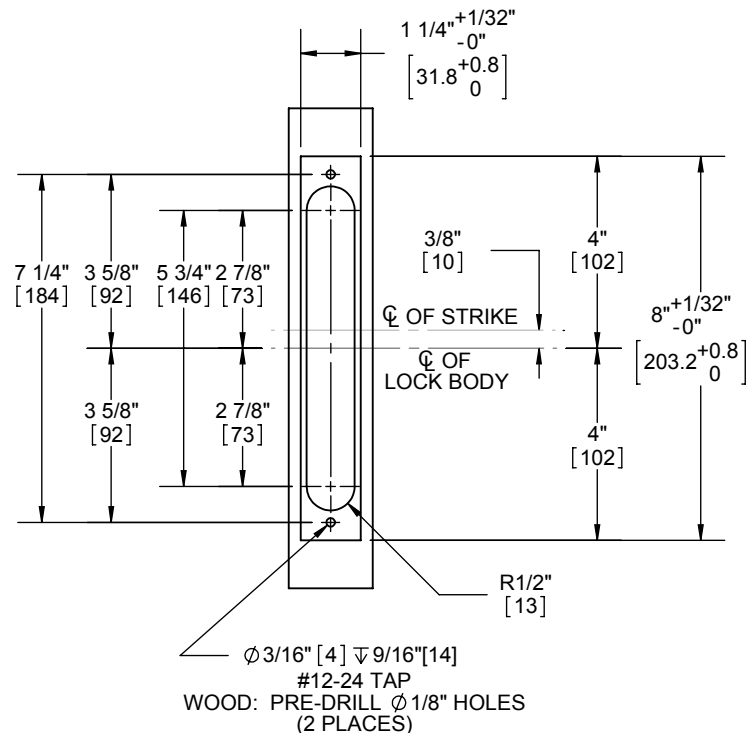
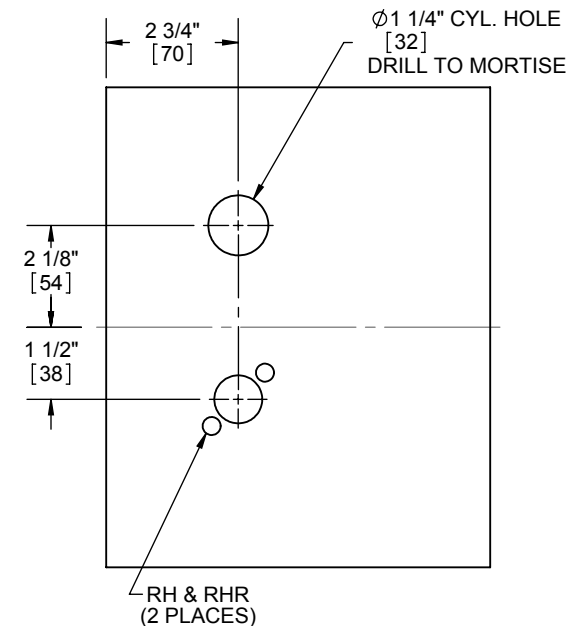


INSIDE



WOOD: PRE-DRILL Ø 1/8" HOLES (2 PLACES)



OUTSIDE

(RH, RHR SECTIONAL SHOWN)



PROPRIETARY & CONFIDENTIAL
 THE INFORMATION CONTAINED IN THIS DRAWING IS THE SOLE PROPERTY OF HAGER COMPANIES. ANY REPRODUCTION IN PART OR AS A WHOLE WITHOUT THE WRITTEN PERMISSION OF HAGER COMPANIES IS PROHIBITED.

HAGER RESERVES THE RIGHT TO MAKE DESIGN CHANGES WITHOUT NOTICE. CALL HAGER ENGINEERING AT 1-800-325-9995 FOR THE LATEST REVISION DATE OF TEMPLATE.

MATERIAL	-
FINISH	-
DO NOT SCALE DRAWING	

DRAWN	TJS	9/21/07
ENG. APPR.	-	-
Q.A.		
TOLERANCES:		
FRACTIONAL: ±0.015"		
ANGULAR: MACH: ± 1° BEND: ±1°		
TWO PLACE DECIMAL: ±0.01"		
THREE PLACE DECIMAL: ±0.004"		

3800		3800 SECTIONAL DOOR PREP, FUNCTIONS: 65, 70, 76, 80	
SIZE	DWG. NO.	REV.	
A	T-LS00771	04	
SCALE: 1:4	WEIGHT: -	SHEET 6 OF 14	