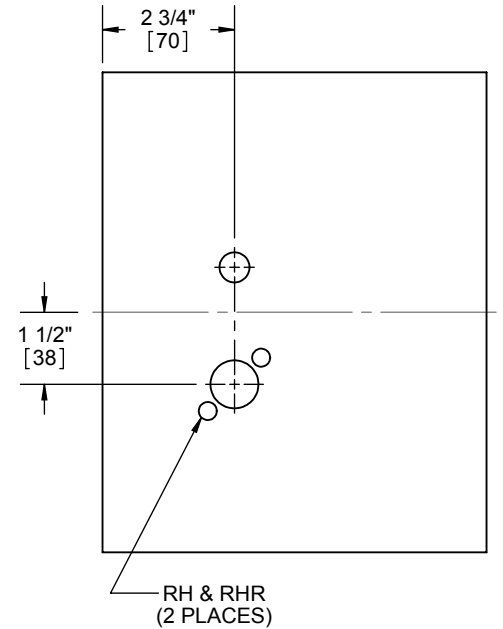
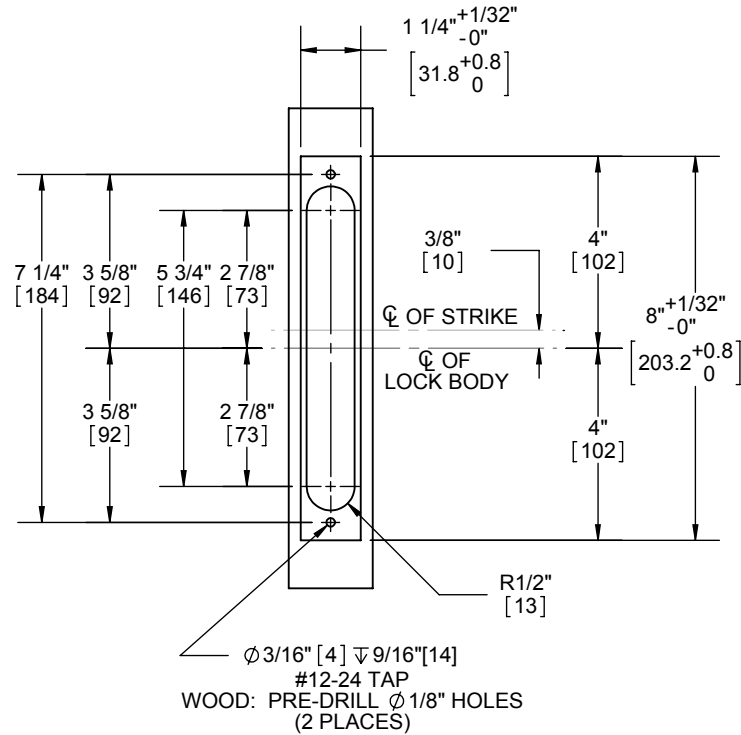


**INSIDE**



**OUTSIDE**

( RH, RHR SECTIONAL SHOWN)



**PROPRIETARY & CONFIDENTIAL**  
 THE INFORMATION CONTAINED IN THIS DRAWING IS THE SOLE PROPERTY OF HAGER COMPANIES. ANY REPRODUCTION IN PART OR AS A WHOLE WITHOUT THE WRITTEN PERMISSION OF HAGER COMPANIES IS PROHIBITED.

HAGER RESERVES THE RIGHT TO MAKE DESIGN CHANGES WITHOUT NOTICE. CALL HAGER ENGINEERING AT 1-800-325-9995 FOR THE LATEST REVISION DATE OF TEMPLATE.

	DRAWN	TJS	9/21/07
	ENG. APPR.	-	-
MATERIAL	Q.A.		
FINISH	-		
DO NOT SCALE DRAWING	TOLERANCES: FRACTIONAL: $\pm 0.015"$ ANGULAR: MACH: $\pm 1^\circ$ BEND: $\pm 1^\circ$ TWO PLACE DECIMAL: $\pm 0.01"$ THREE PLACE DECIMAL: $\pm 0.004"$		

3800		REV. 04	
3800 SECTIONAL DOOR PREP, FUNCTIONS: 40, 41, 44, 45, 96		DWG. NO. T-LS00771	
SIZE A	SCALE: 1:4	WEIGHT: -	SHEET 4 OF 14