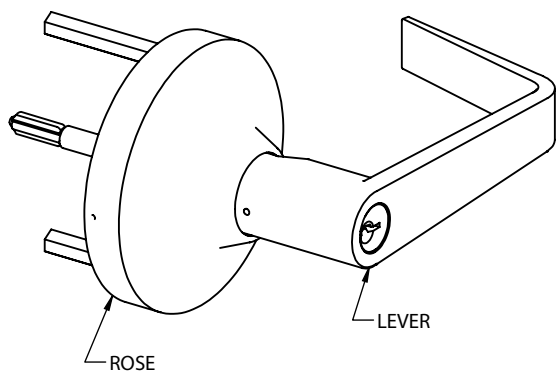


DEVICES COVERED IN THIS DOCUMENT:

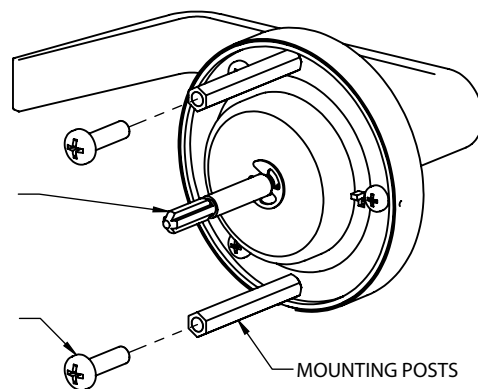
- 47KE Entrance - key locks and unlocks lever
- 47KN Night Latch - key retracts latchbolt
- 47KP Passage - always operable
- 47KD Dummy - pull when dogged



47KE Entrance Function Shown

CROSSHAIR SPINDLE
(ACTUATES EXIT DEVICE)

MOUNTING SCREWS

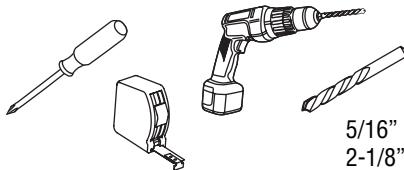


MOUNTING POSTS

IMPORTANT NOTES

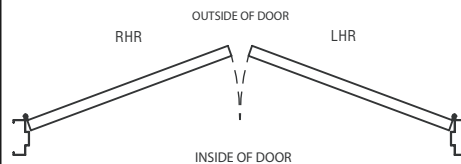
- Key in Lever Trim is compatible with ANSI A156.115 Turtle prep.
- Double doors with mullion or double door strike do not use a standard backset.
- See exit device instructions for application examples with overall mounting dimensions.

TOOLS



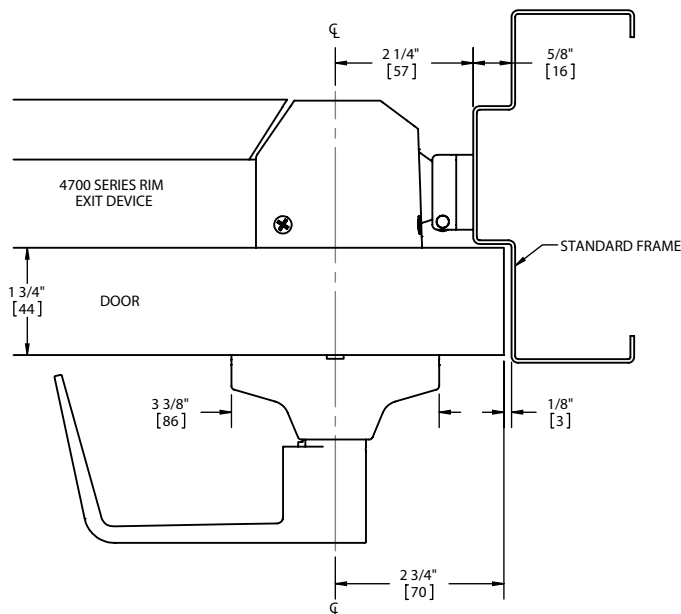
5/16"
2-1/8"

DOOR HANDING



APPLICATION

Single door application with standard frame and 1-3/4" door (see exit device instructions for other applications)

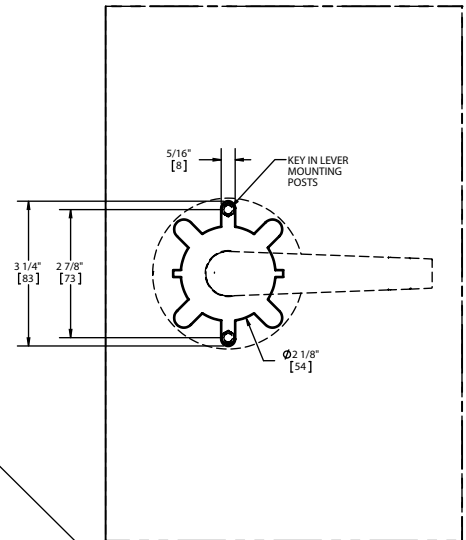


1. PREPARE DOOR

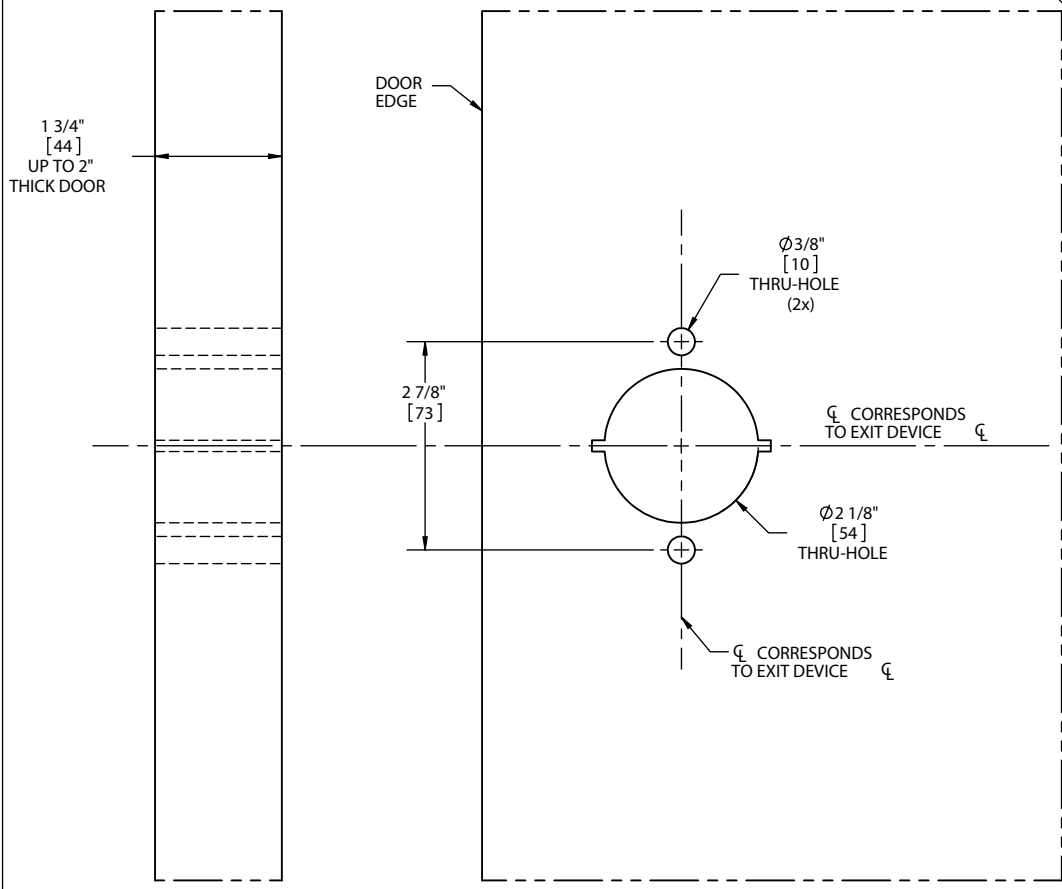
- a. Transfer horizontal and backset centerlines from exit device side of door to trim side.
- b. Use template or dimensions from template to mark hole locations.

NOTES:

- 1. For single and double doors with mullion applications, use backset dimension from face of stop.
- 2. For double doors without mullion applications, use backset dimension from edge of door.
- 3. Also see exit device instructions for more application information.



Key In Lever Trim is compatible with turtle prep per ANSI/BHMA A156.115

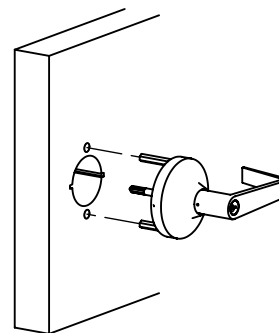


2. DRILL HOLES

- a. Drill a 2-1/8" (54 mm) hole through door face as marked for Key In Lever Trim. For wood doors, it is recommended that holes be drilled from both sides to prevent splitting.
- b. Drill two 3/8" (10 mm) holes through door for mounting posts.

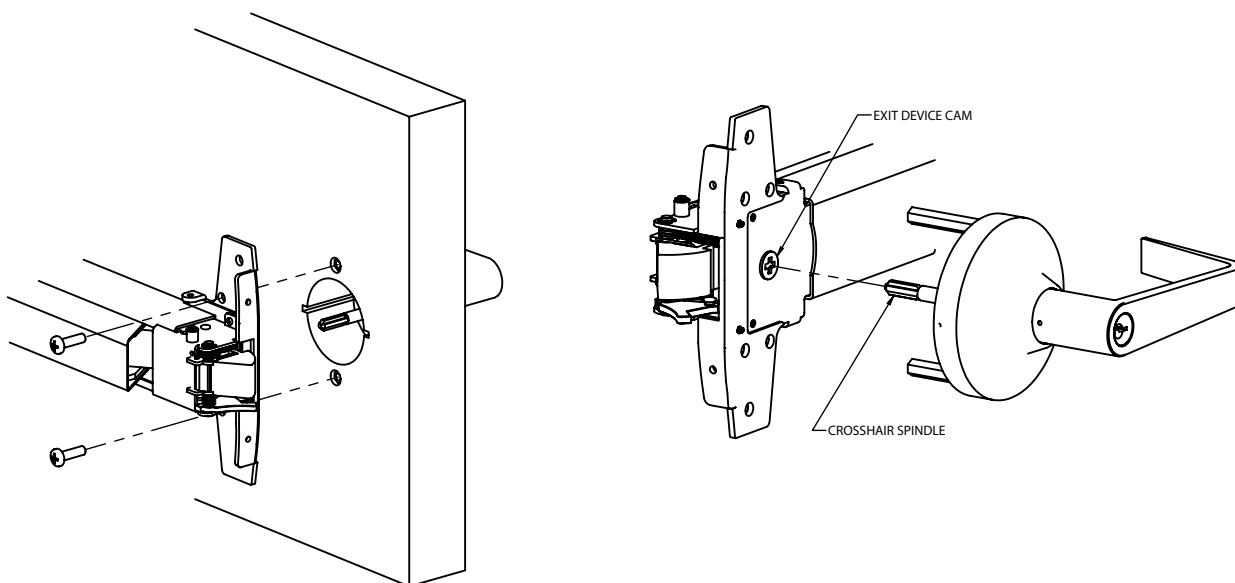
3. INSTALL TRIM

- a. Insert trim through holes in door from pull side of door.



4. INSTALL EXIT DEVICE

- a. Install exit device on push side of door. Be sure crosshair spindle on trim inserts into cam on back of exit device.
 b. Use two #12-24 x 3/4" long pan head machine screws to secure exit device to trim. Once screws are tight, both trim and exit device should be flush against door.
 c. Use exit device instructions to complete installation of exit device.



5. REPLACE CYLINDER

- a. Insert key into lock.
 b. Turn key clockwise 1/4 turn.
 c. Using catch release tool, press lever catch and pull lever off.
 d. To reinstall lever, rotate key clockwise 1/4 turn and press lever all the way in until it clicks into the catch hole.

