

6 Line Bored Lock



Table of Contents

6 Line Knob Lock

Specifications, Certification Compliance	3
Features & Benefits	4
Knob & Rose Designs	5
Functions	6
Cylinders	7
Latches	8
Strikes	9
Retrofit Options	10
How to Order, Finishes, Packaging	11
Options	12
Architectural Specifications	13

Copyright © 2003-2022, Sargent Manufacturing Company, an ASSA ABLOY Group company. All rights reserved.
Reproduction in whole or in part without the express written permission of Sargent Manufacturing Company is prohibited.

On the Cover

6G05 x OB

Specifications, Certification Compliance

6 Line Knob Lock

Specifications

For Doors	1-3/8" (35mm) thick door adjustable to 1-3/4" (44mm)
Backsets	2-3/8" (60mm) x 1" (25mm) standard 2-3/4" (70mm) x 1" (25mm) backset available (17- option) 2-3/4" (70mm) x 1-1/8" (29mm) backset available (24- option)
Bored Housing	Steel, zinc dichromate finish
Front	Wrought brass, bronze or stainless steel 2-1/4" (57mm) x 1" (25mm) standard — other options available
Strike	Wrought brass, bronze or stainless steel 808 curved lip ANSI strike (standard) 800 curved lip strike (29- option) 505 radius/full lip strike (14- option) Wrought box strike available (WBS option)
Hand	Non-cylinder locks — non-handed Cylinder type locks — reversible in field
Knobs	Heavy wrought brass or bronze
Roses	Heavy wrought brass
Latch	Brass x 1/2" (13mm) throw
Cylinder	Brass, 6 pin, LA keyway standard
Keys	Two, nickel silver
Masterkeying	Can be master keyed or grand master keyed Construction key systems available
Finishes	03, 10BE, 26D
Door Prep	160 Standard Door Prep, Specify 24- for 161 Door Prep
Minimum Stile	4" (102mm)

Certification Compliance

ANSI	Certified ANSI/BHMA A156.2 Series 4000 — Grade 2
UL/cUL	UL listed to U.S.A. and Canadian safety standards Listed for 3 Hour Doors
Positive Pressure	Meets ANSI/UL 10C, Positive Pressure Fire Test of Door Assemblies

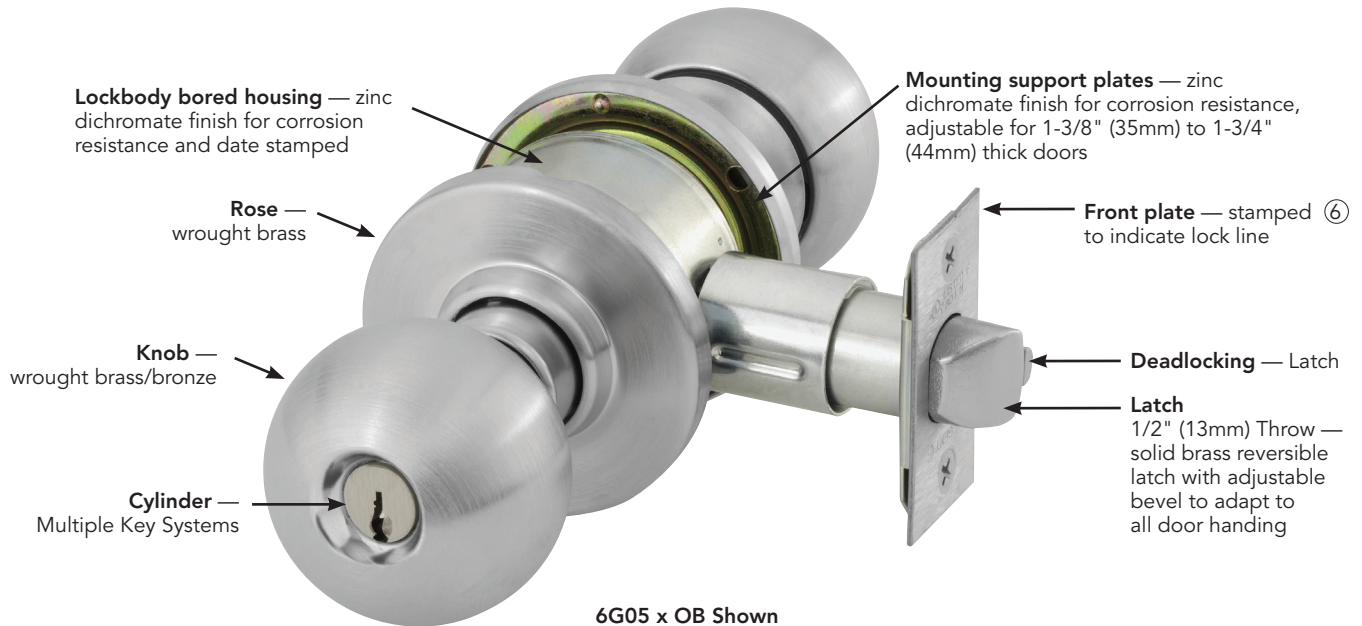
Any retrofit or other field modification to a fire rated opening can potentially impact the fire rating of the opening, and Sargent Manufacturing Company makes no representations or warranties concerning what such impact may be in any specific situation. When retrofitting any portion of an existing fire rated opening, or specifying and installing a new fire-rated opening, please consult with a code specialist or local code official (Authority Having Jurisdiction) to ensure compliance with all applicable codes and ratings.

Features & Benefits

6 Line Knob Lock

SARGENT
ASSA ABLOY

Features & Benefits



The 6 Line is a highly styled standard duty lock line certified to ANSI/BHMA A156.2 Series 4000 Grade 2. It is ideally suited for fine homes, apartments, hotels and commercial buildings.

Versatility

- Lockbody fits doors from 1-3/8" (35mm) to 1-3/4" (44mm) thick
- Non-handed or field reversible
- Fits ANSI/BHMA A156.115 (160) door prep
- Multiple latches and strike options available
- Variety of functions and options

Quality

- Complements and blends with trim designs of other SARGENT locks for unified appearance
- Certified ANSI/BHMA A156.2 Series 4000 — Grade 2
- Accepts SARGENT standard and high security cylinders
- Quality finishes with split finishes optional
- Fire Code compliance with all functions depending on application

Convenience

- Installs with just two lockbody screws for easy installation and maintenance

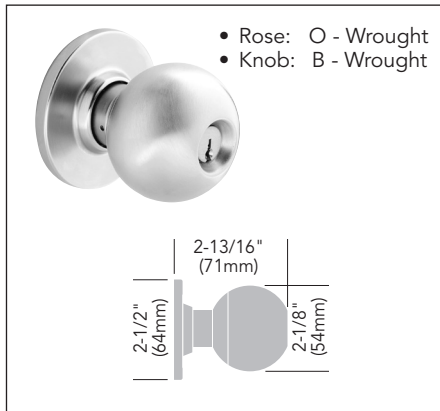
Applications

- Standard duty commercial buildings
- Offices
- Apartment buildings
- Hotel/Motel
- Residential housing
- Retail
- Churches
- Warehouses

Knob & Rose Design

6 Line Knob Lock

OB Design

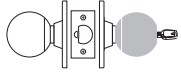


Knob projection shown is for 1-3/4" (44mm) thick doors and will vary by door thickness.

Single Cylinder Functions

04 Storeroom or Closet

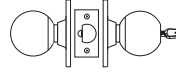
6G04



- Deadlocking latch
- Latch retracted by knob inside or key outside
- Outside knob rigid at all times
- **ANSI/BHMA F86**

37 Classroom

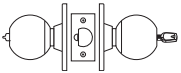
6G37



- Deadlocking latch
- Latch retracted by either knob unless outside knob is locked by key
- Key in outside knob locks or unlocks outside knob
- **ANSI/BHMA F84**

05 Entrance or Office

6G05

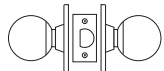


- Deadlocking latch
- Latch retracted by either knob unless outside knob is locked by turn button in inside knob
- Turn button must be released manually
- Key retracts latch when outside knob is locked
- **ANSI/BHMA F81**

Non-Cylinder Functions

15 Passage

6U15



- Latch retracted by either knob
- **ANSI/BHMA F75**

93 Single Knob

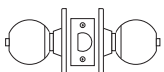
6U93



- For wood or custom hollow metal doors
- Knob and rose attached by surface applied screws (hidden)
- Requires special door preparation — see template

65 Privacy/Bathroom

6U65



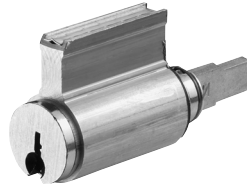
- Latch retracted by either knob unless outside knob is locked by push button in inside knob
- Turning inside knob or closing door releases button
- Emergency key or flat blade screwdriver in the emergency button releases the inside button and unlocks the outside knob
- Emergency key supplied only when ordered separately (14-0300)
- **ANSI/BHMA F76A**

NOTE: Shaded knob indicates it is rigid at all times.

Cylinders

- Finishes: 04, 15

Type	Pins	Standard Cylinder
Conventional	6	C6-1B
	7	N/A
Signature	6	10-C6-1B
XC	6	11-C6-1B
	7	N/A
Degree® DG1	6	DG1-C6-1B
Degree® DG2	6	DG2-C6-1B
Degree® DG3	6	DG3-C6-1B



C6-1B

All cylinders are supplied with 2 nickel silver change keys.
When cylinders are ordered keyed to 5 pin systems, the (6th) last chamber will be empty.

Cylinders are supplied 1-bitted unless specified keyed random or master keyed. For master keyed orders provide keying details as requested on SARGENT Keyed Order Lead Sheets, located in the price book or contact customer service.

To order cylinders separately, specify part number x keyway x finish (i.e. C6-1B x LA x 15)

Cylinders with Competitive Keyways

Competitive Keyway	Part Number
Schlage® C	SC-C6-1B
Schlage® E	SE-C6-1B

These cylinders are 6-pin, 0-bitted and supplied with two brass key blanks. Cylinders include tail piece.

Refer to Cylinders and Components catalog for more information.

See page 12 for cylinder options when ordered with locks.

Latches

6 Line Knob Lock

Latches

- To order latch separately, specify: part number x finish (see table)
- Front size: 2-1/4" (57mm) x 1" (25mm) Unless Otherwise Specified

2-3/8" (60mm) Backset Latch — Standard



- Shipped standard with keyed locks, deadlocking
- 15 and 65 functions are not deadlocking
- Deadlocking Latch: 06-5083
- Non Deadlocking Latch: 06-5225
- Finishes: 03, 10BE, 32D

17- Option: 2-3/4" (70mm) Backset x 1" Front



- Front Size: 2-1/4" (57mm) x 1" (25mm)
- Deadlocking Latch: 06-5102
- Non Deadlocking Latch: 06-5234
- Finishes: 03, 10BE, 32D
- To order latch with lock, specify 17- option
- Example: 17-6G05 x OB x 32D

24- Option: 2-3/4" (70mm) Backset x 1-1/8" Front



- Front Size: 2-1/4" x 1-1/8" (57mm x 29mm)
- Deadlocking Latch: 06-5094
- Non Deadlocking Latch: 06-5231
- Finishes: 03, 10BE, 32D
- To order latch with lock, specify 24- option
- Example: 24-6G05 x OB x 32D

PART	TYPE	OPTION/BACKSET	FRONT
06-5083	Deadlocking Latch	Standard 2-3/8" (60mm)	2-1/4" x 1" (57mm x 25mm)
06-5225	Non Deadlocking Latch		
06-5102	Deadlocking Latch	17- Option 2-3/4" (70mm)	2-1/4" x 1" (57mm x 25mm)
06-5234	Non Deadlocking Latch		
06-5094	Deadlocking Latch	24- Option 2-3/4" (70mm)	2-1/4" x 1-1/8" (57mm x 29mm)
06-5231	Non Deadlocking Latch		

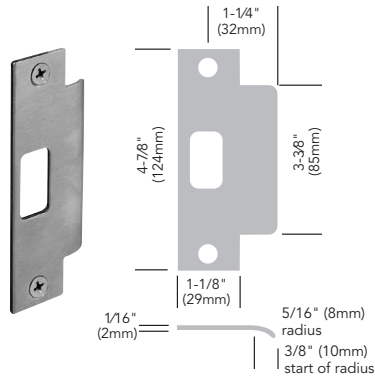
Strikes

6 Line Knob Lock

Strikes

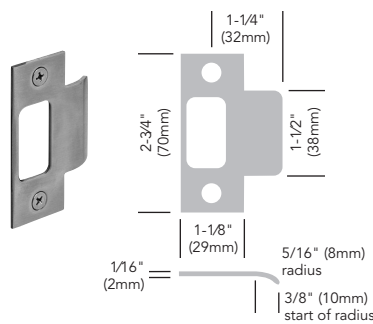
- Strike finishes: 03, 10BE, 32D
- Lock with 26D is supplied with 32D strike

4-7/8" Curved Lip ANSI Strike (Standard)



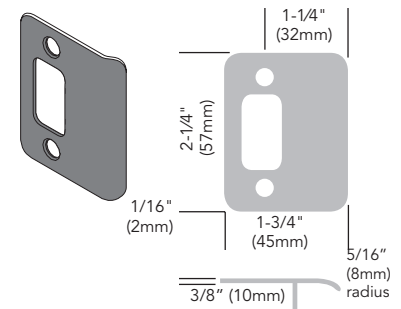
- Brass or stainless steel
- Conforms to ANSI standard
- Furnished standard with curved lip 1-1/4" (32mm) from center of strike screw holes to end of lip
- Lip lengths: 7/8" (22mm), 1-1/8" (29mm), 1-1/4" (32mm), 1-3/8" (35mm), 1-5/8" (42mm), 1-7/8" (48mm), 2-1/8" (54mm), 2-3/8" (60mm), 2-5/8" (66mm), 2-7/8" (73mm) and 3" (76mm)
- To order strike separately, specify 808 strike x finish x lip length
- Wrought box not provided, order separately 77-1141 or as WBS option with lockset

2-3/4" Curved Lip Strike (29- Option)



- Brass or stainless steel
- Furnished standard with 1-1/4" (32mm) curved lip from center of strike screw holes to end of lip
- Lip lengths 1" (25mm), 1-1/4" (32mm) standard, 1-1/2" (38mm), 1-3/4" (44mm) and 2" (51mm)
- Plastic strike box AM-0044 included with lockset
- To order strike separately, specify 800 strike x finish x lip length

2-1/4" Full Lip Strike (14- Option)



- Brass or stainless steel
- Furnished standard with curved lip 1-1/4" (32mm) from center of strike screw holes to end of lip
- Radius corners
- No other lip lengths available
- To order strike separately, specify 505 strike x finish
- Adjustable tab (standard) to reduce door movement when latch is engaged in strike

Retrofit Options

6 Line Knob Lock

SARGENT 6010 Replacement Kit — for 7600 Integra Locks



Sub Front



800 Strike



808 Strike

- For installation of 6 Line with 2-3/4" (17-) backset to replacing old 7600 Integra locks in wood doors
- Finishes: 03, 04, 10, 10B, 10BE, 10BL, 15, 20D, 26 and 26D
- Replacement Kit consists of:

Quantity	Item	Item Number	Size
1	Sub Front	08-0562 x finish	4-1/4" (108mm) x 1-1/4" (32mm)
1	Strike (must specify 800 or 808)	800 x finish (with screws) 808 x finish (with screws)	2-3/4" (70mm) x 1-1/8" (29mm) x 1-1/4" (31mm) 4-7/8" (121mm) x 1-1/8" (29mm) x 1-1/4" (31mm)
1	Strike Box	08-0055 77-1141	For 800 Strike For 808 Strike (ANSI)
2	Sub Front Screws	01-5001	#10-24 x 3/4" (19mm)

**NOTE: Strikes will not retrofit for strikes 4-1/4" (108mm) x 1-1/8" (29mm) x 1-1/4" (32mm)
Lock will not retrofit for lock front plate size 5-1/4" (133mm) x 1-1/4" (32mm) – 36-7600 locks**

Cover Plate



Cover Plate
3" (76mm) x 12" (305mm)
Order: 06-0037 x finish
(2 qty. required)

Screws
Order: 01-2037 x finish
(8 qty. required)

How to Order, Finishes, Packaging

6 Line Knob Lock

How to Order

Specify	Note	Example
Quantity	Number Ordered	1 Qty
*Option(s)	Additional Feature	1 Qty 29-
Lock Function	See Functions	1 Qty 29-6G05
Trim Design	Rose x Knob	1 Qty 29-6G05 OB
Finish	See Finishes	1 Qty 29-6G05 OB 26D
Additional Information	Item/Heading Number, Door Number, Keyset Information	1 Qty 29-6G05 OB 26D x Item 01 x DRL201 x Keyset AA3
Hand	Non-Handed	

* Can choose multiple options

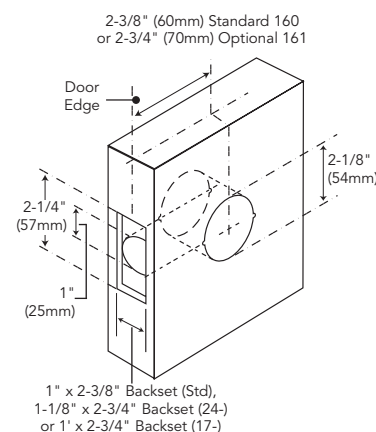
Finishes

Finish	Description	ANSI/BHMA
03	Polished brass, clear coated	605
10BE	Dark Oxidized Satin Bronze – equivalent	613E
26D	Satin chrome	626

Split finishes:

- Specify outside finish first i.e. 6G05 x OB x 26D x 03 x RH
- Handing must be specified
- Strike and latch front will match the following:
 - RH & LH = inside finish
 - RHR & LHR = outside finish

Door Prep



If weather stripping, acoustical materials or silencers are used on the door or frame, care must be taken in the installation so that it will not interfere with the ease in which the latch enters the strike.

Packaging

6G05 x OB
Approximately 2 lbs. 10 oz./box (1.2 kg)
10 boxes/case

6 Lobe & Spanner Bit Packs

Part Number	Description
82-3855	6 Lobe Bit Pack 7 Bits (Sizes: T8, T9, T10, T15, T20, T25, T27) Requires 9/32" (7mm) Driver
82-3856	Spanner Bit Pack 5 Bits (Sizes: 6, 8, 10, 12, 14) Requires 1/4" (6mm) Driver

14-0300 Emergency Key



- Used with 65 function
- Emergency key provided only when ordered separately

Mechanical Options:

Strike	14-	505 Full Lip Strike
	29-	Strike #800. Lip length 1-1/4". Lip lengths 1" to 2" in 1/4" increments only.
Backset Options	17-	2-3/4" Backset x 2-1/4" x 1" Front
	24-	2-3/4" Backset x 2-1/4" x 1-1/8" Front
Security Fasteners	36-	Six lobe security head screws
	37-	Spanner head screws
Box Strike	WBS-	Wrought Box Strike

Cylinder Options:

Conventional Cylinder	-	SARGENT Conventional Cylinders supplied Standard (nomenclature not required)
Degree Key System	DG1-	SARGENT Degree Key System Level 1 (bump resistant with patented keys)
	DG1-21-	Degree Level 1 Construction Master Keying
	DG1-65-	Degree Level 1 Unassembled/Uncombined Cylinder
	DG2-	SARGENT Degree Key System Level 2 (geographically exclusive; bump and pick resistant)
	DG2-21-	Degree Level 2 Construction Master Keying
	DG2-65-	Degree Level 2 Unassembled/Uncombined Cylinder
	DG3-	SARGENT Degree Key System Level 3 (geographically exclusive; UL437 certified; bump and pick resistant)
	DG3-21-	Degree Level 3 Construction Master Keying
Signature Key System	10-	SARGENT Signature Key System
	10-21-	SARGENT Signature Construction Key System (Lost Ball)
XC- Key System	11-	XC- Key System (not available with other Key Systems, unless specified)
	11-21-	XC- Construction Key System (Lost Ball)
Construction Key Systems	21-	SARGENT Lost Ball Construction Keying for Conventional, XC and Signature Series (N/A with 63- or 73-)
	22-	SARGENT Construction Split Key System for Conventional Cylinders (existing systems only) (N/A with 10-, 11-, 63- or 73-)
Bump Resistant	BR-	Bump Resistant Cylinder (available with Conventional & Conventional XC Cylinders only)
Less Cylinder	LC-	Lock supplied less Cylinder
Schlage Keyways	SC-	Schlage C keyway cylinder, 0 bitted
	SE-	Schlage E keyway cylinder, 0 bitted

Architectural Specifications

6 Line Knob Lock

Suggested Architectural Specifications

2.1 Standard Duty Bored-in Lock

- A. All bored knob locks shall be manufactured by SARGENT Manufacturing Company, New Haven, CT.
- B. Locks shall be certified ANSI/BHMA A156.2 Series 4000, Grade 2.
- C. Locks shall be completely reversible.
- D. Locks shall be able to fit a standard 2-1/8" (55 mm) bore (161 prep) without the use of through-bolts.
- E. Locks shall comply with UL 10C positive pressure requirements.
- F. Latch shall be minimum 1/2" (13mm) throw, UL Listed.
- G. Locks shall have 2-3/8" (70 mm) backset, standard.
- H. Locks shall have brass 6-pin cylinder, standard.
- I. Locks shall have a one year limited warranty.

The ASSA ABLOY Group is the global leader in access solutions. Every day, we help billions of people experience a more open world.

ASSA ABLOY Opening Solutions leads the development within door openings and products for access solutions in homes, businesses and institutions. Our offering includes doors, frames, door and window hardware, mechanical and smart locks. access control and service.

SARGENT[®]
ASSA ABLOY

SARGENT Manufacturing Company
100 Sargent Drive
New Haven, CT 06511 USA
800-727-5477
www.sargentlock.com

Founded in the early 1800s, SARGENT[®] is a market leader in locksets, cylinders, door closers, exit devices, electro-mechanical products and access control systems for new construction, renovation, and replacement applications. The company's customer base includes commercial construction, institutional, and industrial markets.

Copyright © 2003-2022, Sargent Manufacturing Company, an ASSA ABLOY Group company. All rights reserved. Reproduction in whole or in part without the express written permission of Sargent Manufacturing Company is prohibited. Patent pending and/or patent www.assaabloydss.com/patents.