

BEYOND SECURITY



Simplex[®] L1000



Features

Access Control

Mechanical pushbutton lock—eliminates problems and costs associated with issuing, controlling, and collecting keys and cards. Provides exterior access by combination, while allowing free egress

No Battery

Fully mechanical lock eliminates the material and labor expense of battery replacements

Number of Codes

Single access code—one easy-to-manage code for all users

Programming

Lock is easily programmed via keypad without removing lock from the door

Handing

Factory-handed; not field reversible

Key Override (Optional)

Small format interchangeable cores, large format removable cores

Operation Modes

- Pushbutton Access
- Passage (select models)—allows access without using the lock entry code. Feature activated from the inside with a thumbturn or key (included with all passage feature models).
- Privacy (select models)—disables the lock from the inside so that the entry code cannot be used to gain access. Access is permitted using the key override only when in this mode.

Economical

A cost effective access control solution

Mechanical Features

Construction	Heavy-duty cylindrical lock housing with cast front housing, unified trim plate, and fixed ADA-compliant levers
Locking Device	Cylindrical latch with 3-hour UL/ULC fire rating on "A" labeled doors
Numeric Keypad	Vandal resistant, solid metal pushbuttons
Handing	Factory-handed; not field reversible
Standard Finishes	Satin Chrome 26D (626), Antique Brass 05 (609)
Optional Finishes	Bright Brass 03 (605), Bright Chrome 026 (625)
Backset	2 3/4" (70 mm), 2 3/8" (60 mm)
Latch	1/2" (13 mm) throw latch, 3/4" (19 mm) throw latch (optional)
Minimum Stile Recommended	5" (127 mm)
Weight	8.25 lbs. (3.7 kg)
Strike	Standard strike plate; ASA strike plate

Key Override

Interchangeable Cores	Small format—Best and equivalents (6 or 7-pin length); core not included
Removable Cores	Large format—Medeco/ASSA/Yale/Abloy (5 or 6-pin length); Corbin Russwin (6-pin length); Schlage, and Sargent; core not included

Installation

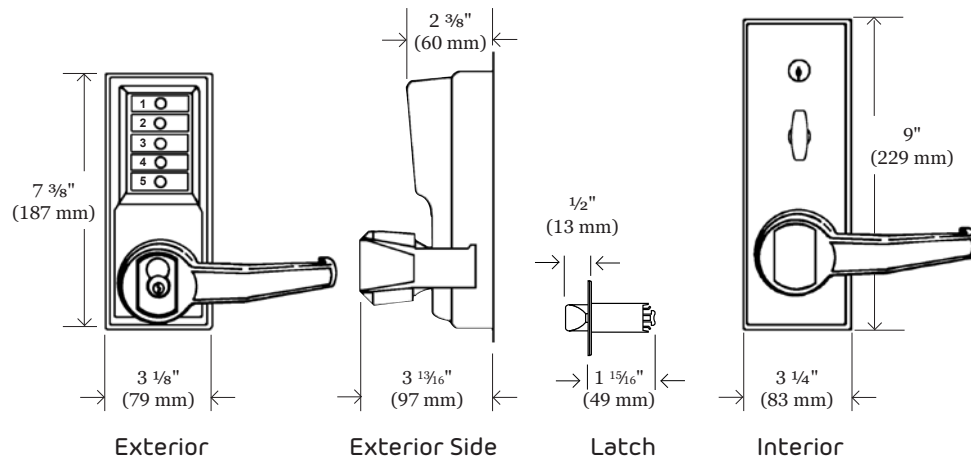
Door Preparation	Easily installs on wood or metal doors. ASA 161 door preparation with additional through holes.
Door Thickness	Pre-assembled to accommodate 1 5/8" (41mm) to 1 7/8" (48mm) doors. Hardware included to cover door thickness applications: 1 3/8" (35mm) to 1 1/2" (38mm), 2" (51mm) to 2 1/4" (57mm)

Certification and Testing

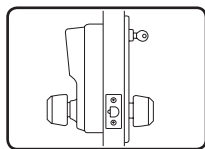
Accessibility Standard	Americans with Disabilities Act (ADA); fixed ADA-compliant levers
Durability	D.O.D. Compliant 5220.22M for supplemental access control; weather resistant
Fire Rating	3-hour UL/ULC fire rating for "A" labeled doors

Warranty

Warranty	3-year warranty
----------	-----------------

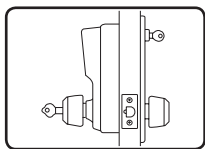


Model L101x



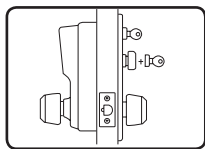
- Combination Entry
- Interior Combination Change

Model L102x



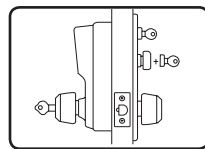
- Combination Entry
- Key Override (not supplied)
- Interior Combination Change

Model L103x



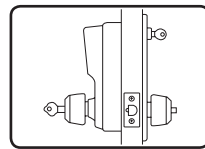
- Combination Entry
- Interior Combination Change
- Passage

Model L104x



- Combination Entry
- Key Override (not supplied)
- Interior Combination Change
- Passage

Model L1076



- Combination Entry
- Key Override (not supplied)
- Interior Combination Change
- Privacy (lockout) available on key override models only