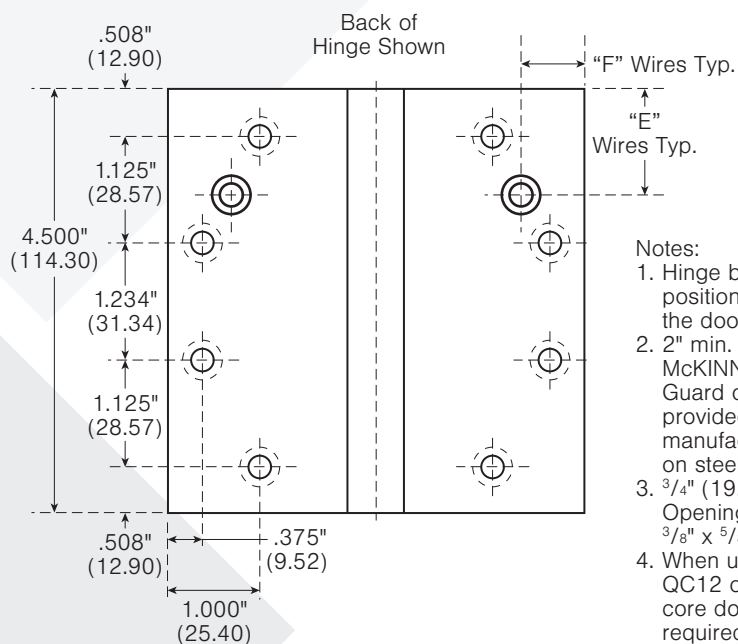


McKinney TA2714/TA2314

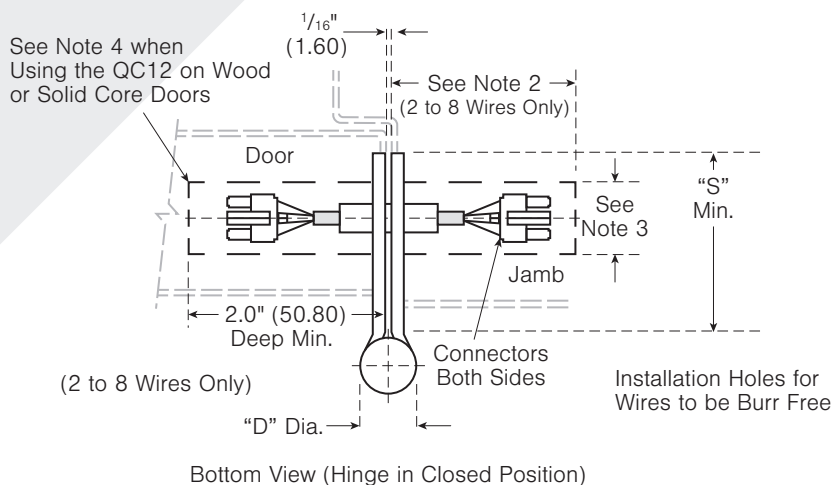
4 1/2" Standard Weight Full Mortise Template
QC* Hinge (2 to 12 Wires)

Experience a safer
and more open world

DO NOT SCALE
DIMENSIONS: INCHES (MM)



- Notes:
1. Hinge be applied at second position from the bottom on the door.
 2. 2" min. for wood frames. MCKINNEY MG-16 Mortar Guard or an equivalent provided by frame manufacturer required on steel frames.
 3. 3/4" (19.01) recommended. Opening in hinge reinforcing 3/8" x 5/8" min.
 4. When using the QC10 or QC12 on a wood or solid core door a pocket is required for wires and connectors consult factory for details.



TEMPLATE 55438

EFFECTIVE DATE:
September 1, 2023

SUPERSEDES:
All Previous

McKinney Template Hinges of the Catalog Numbers are made to conform to ANSI/BHMA 156.7 for Screw Hole Location and Gauge of Metal. Wire location and hole size conforms to this drawing.

MACHINE SCREW SIZE:
1/2 x 12-24 F.H.

WOOD SCREW SIZE:
1 1/4 x 12 F.H.

*Connector system utilizes wire colors & locations compatible with Doors & Hardware from other ASSA ABLOY Group Companies.

**Check Catalog for Metals.

CATALOG NUMBER		GAUGE OF METAL	"D" OUTSIDE DIA.	"E" WIRE LOC.	"F" WIRE LOC.	"S" (SWAGE LINE)	
STEEL HINGES	**NON-FERROUS HINGES					HINGE WIDTH	
						4" (101.60)	4 1/2" (114.30)
TA2714xQC	TA2314xQC	.134" (3.40)	.585" (14.86)	1.125" (28.57)	.688" (17.47)	1 21/32" (42.10)	1 29/32" (48.40)