



www.sdcsecurity.com service@sdsecurity.com
 [t] 800.413.8783 805.494.0622 [f] 805.494.8861
 801 Avenida Acaso, Camarillo CA 93012 • PO Box 3670, Camarillo CA 93011-3670

EH Series Magnetic Door Holder & Releasing Device

Magnetic Door Holder & Releasing Devices

**Field Selectable High Holding Force, 75 or 110lbs
 For Self Closing Fire & Smoke Barrier Doors
 Door Released & Closed Upon Power Loss
 or Fire Life Safety System Activation**



SDC EH Series magnetic door holders, are designed to hold doors open and release the door by remote switch or fire life safety command center activation. Primary application includes holding and releasing of fire rated doors that are required to provide a barrier for fire and smoke in an emergency or the convenience of door closure by remote control.

Features

Choice of 25, 30, 35 or 40lbs holding force
 Determined by units specified voltage

Very low power consumption
 Reduced power supply requirements & energy costs
 15mA, 20mA or 40mA (see performance data)

High Holding Force standard*
 Reduces stock or need to special order high holding force
 Determined by field selected voltage input
 *Not available with 24/220V units

Choice of 3 dual AC/DC voltages

- 1224 Voltage Inputs**
 12V/30lbs; 24V/30lbs; Apply 24V to 12V input for 75lbs
- 24120 Voltage Input**
 24V/40lbs; 120V/35lbs; Apply 120V to 24V input for 110lbs
- 24220 Voltage Inputs**
 24V/40lbs; 220V/25lbs. *High holding force not available

Self aligning catch plate & adjustable magnet centerline
 Ball pivot assembly enables full plate contact and holding force.
 Optional adjustable rod compensate for extreme misalignment
 up to 4 inches. Slotted mounting holes enable adjustment of magnet centerline.

Screw terminal block input connections
 No wire nuts or pigtailed for simple and neat wiring.

Innovative installation
 Eliminates need for secondary alignment adjustments

Models

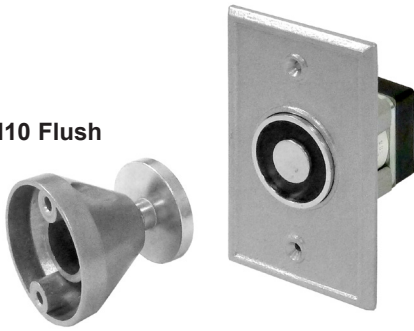
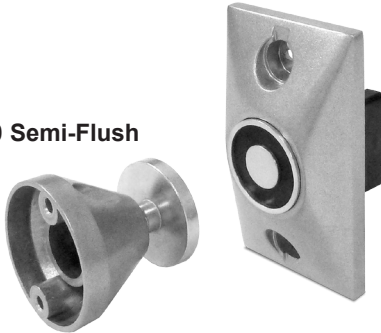
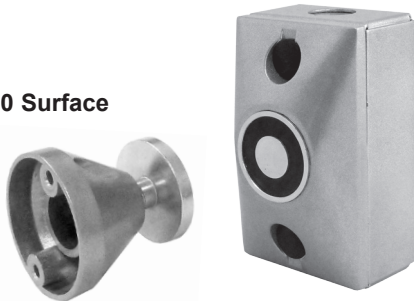
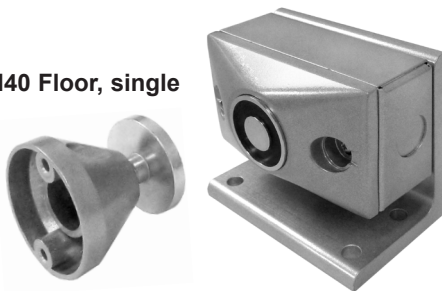
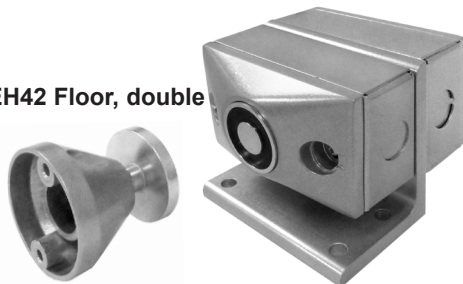
EH Series Magnetic Door Holder
Choice of 5 Durable Die Cast Models

- EH10** Flush Mount
- EH20** Semi-Flush Mount
- EH30** Surface Mount
- EH40** Floor Mount
- EH42** Double Floor Mount

Performance Specifications

Certifications: UL listed
 Meets ANSI 156.15 for C00011
 California State Fire Marshall listed (CSFM)



EH10 Flush**EH20 Semi-Flush****EH30 Surface****EH40 Floor, single****EH42 Floor, double****Performance Data**

Model	Voltage	DC/mA	AC/mA	Terminals	LB.	KG.
1224	12V	40	38	C&L	30	13.6
	24V	40	36	C&H	30	13.6
24120	24V	20	19	C&L	40	18.1
	120V	—	20	C&H	35	15.8
24220	24V	20	19	C&L	40	18.1
	220V	—	15	C&H	25	11.3

HIGH HOLDING FORCE / SPECIAL APPLICATIONS

Model	Voltage	DC/mA	AC/mA	Terminals	LB.	KG.
1224	24V	85	81	C&L	75	34.0
24120	120V	—	100	C&L	110	49.8

To obtain performance values in high holding force table above apply high listed voltage to low voltage terminals (C & L). NOTE: This configuration can only be applied to models 1224 & 24120.

How to Order**EH****Series No.**

EH -
Magnetic
Door Holder

10**Mount**

- 10 – Flush
- 20 – Semi-Flush
- 30 – Surface
- 40 – Floor, Single
- 42 – Floor, Double

24120**Voltage**

- 1224 –
12/24VAC/DC
- 24120 –
24VAC/DC/120VAC
- 24220 –
24VAC/DC/220VAC

A**Finish**

- A – Chrome Powder Coat
- P – 625 Chrome Plated
- C – 605 Brass Plated

Example: EH1024120A - Flush Mount, (1) 24VAC/DC & (1) 120VAC Input, Chrome Powder Coat

Specifications

Materials: Zinc alloy

Voltage: Standard dual voltage AC or DC inputs of 12&24V, 24&120V, 24&220V models

Holding Force: Typical holding force of 25-40 pounds; performance value can be increased to 75 lbs or 110 lbs on special applications (see performance data)

Mount: Single or double coil floor, surface, flush, and recessed mount

Total Projection: Flush mount: 2-11/32" (60mm)
Semi-Flush mount: 3-1/16" (78mm)
Surface mount: 4-5/8" (117mm)
Floor mount (single door): 5" (127mm)
Floor mount (double door): 9-5/8" (244mm)

Fasteners: Hardware package, mounting bracket

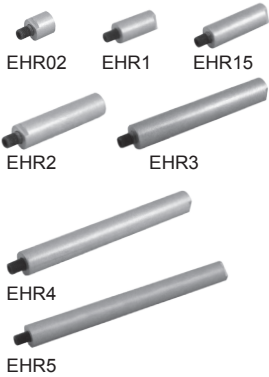
Finishes: Chrome Powder Coat, 605 Brass Plated, 625 Chrome Plated

Notes: Optional aluminum extension and misalignment rods available
Drill fixture available
Replacement catch plate and catch plate assembly available
Adhesive template included

Accessories

Extension Rods:

Extensions rod(s) may be required to ensure proper installation by providing increased reach for the Armature Catch Plate. Adjustable Extension Rods provide increased operational alignment where needed to ensure the best door holder operation and performance.



Extension Rod

Refer to Figure A to determine correct rod length for each individual openings installation and adjustability requirements

- EHR02** 1/2" Extension Rod
- EHR1** 1" Extension Rod
- EHR15** 1 1/2" Extension Rod
- EHR2** 2" Extension Rod
- EHR3** 3" Extension Rod
- EHR4** 4" Extension Rod
- EHR5** 5" Extension Rod

Adjustable Extension Rod

- EHRA15** 1 1/2" Adjustable Extension Rod
- EHRA4** 4" Adjustable Extension Rod



EHRA15



EHRA4

Specify Finish Example: EHR3A

Indicate finish that matches Door Holder

A Chrome Powder Coat

P 625 Chrome Plated

C 605 Brass Plated

How To Determine Extension Rod & Adjustable Rod Length

Extensions Rod Application:

Refer to Fig. I for Aligned Catch Plate and Door Holder

Adjustable Rod Application:

Refer to Fig. II for Misaligned Catch Plate and Door Holder

1. Hold door open at desired position.
2. Measure distance between door and wall.
3. Subtract below dimension indicated for door holder style

Flush Mount: Subtract 3" (76mm) from measured distance to determine minimum rod length.

Recessed Mount: Subtract 2-3/8" (60mm) from measured distance to determine minimum rod length.

Surface Mount: Subtract 4-5/8" (76mm) from measured distance to determine minimum rod length.

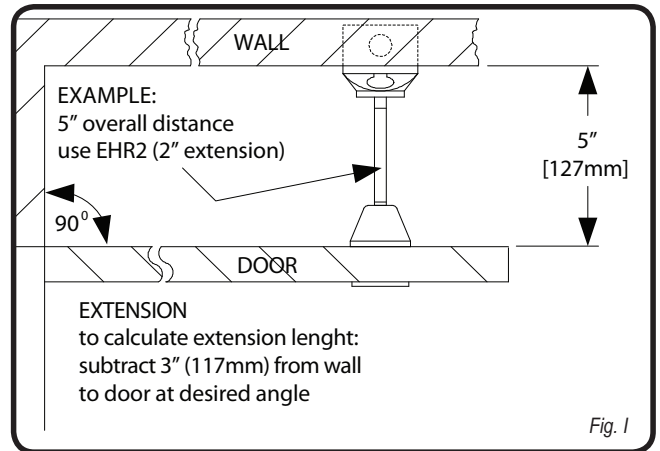


Fig. I

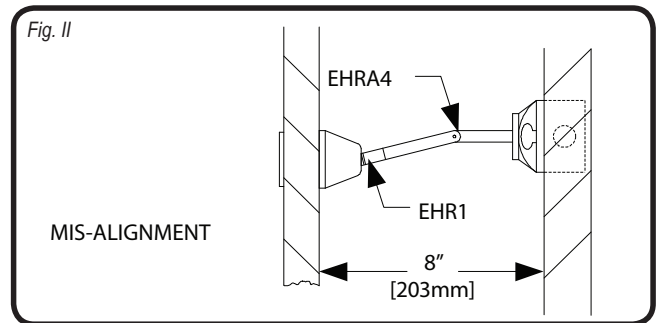
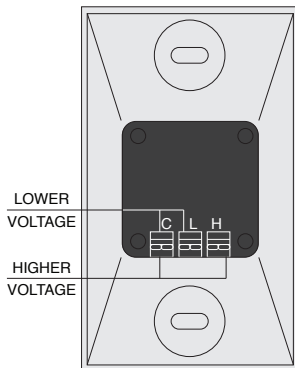


Fig. II

Dual Voltage

12/24V, 24/120V or 24/220V



Extension Rod Applications

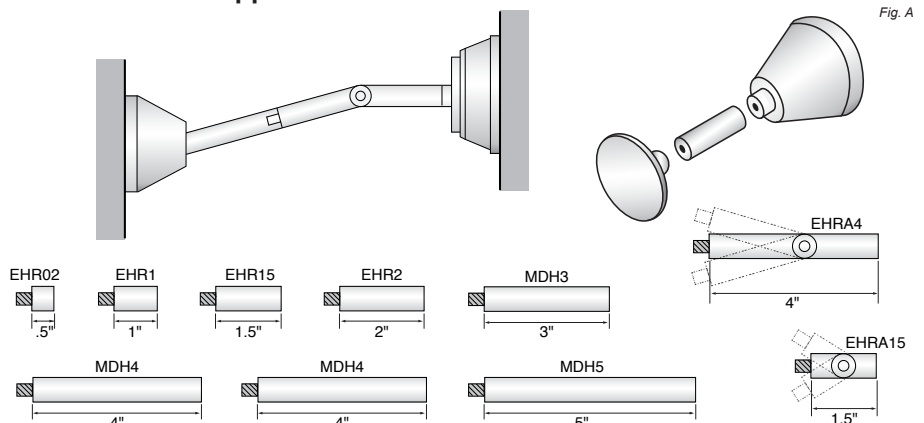


Fig. A

Accessories



EHBB Surface Back Box
2-25/32" x 4-7/8" x 1-1/2"
(71mm x 124mm x 38mm)
Supplied with EH30, EH40, EH42



EHDF Drilling Fixture
Attach to door for quick and accurate
hole location



EHCP Catch Plate
Replacement for the catch plate
assembly



EHW Extension Wrenches
Used to tighten extension rods to
catch plate assembly



EHSB Catch Plate Assembly
Swivel design allows catch disc to
move in all directions to assist with
slight misalignment issues