

# 3100/3101 DOOR CLOSER MODELS

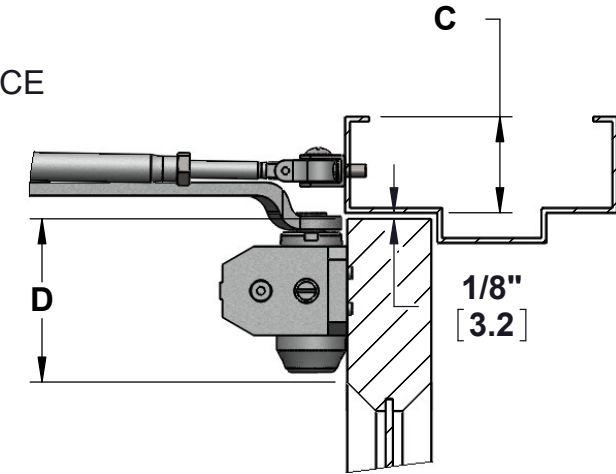
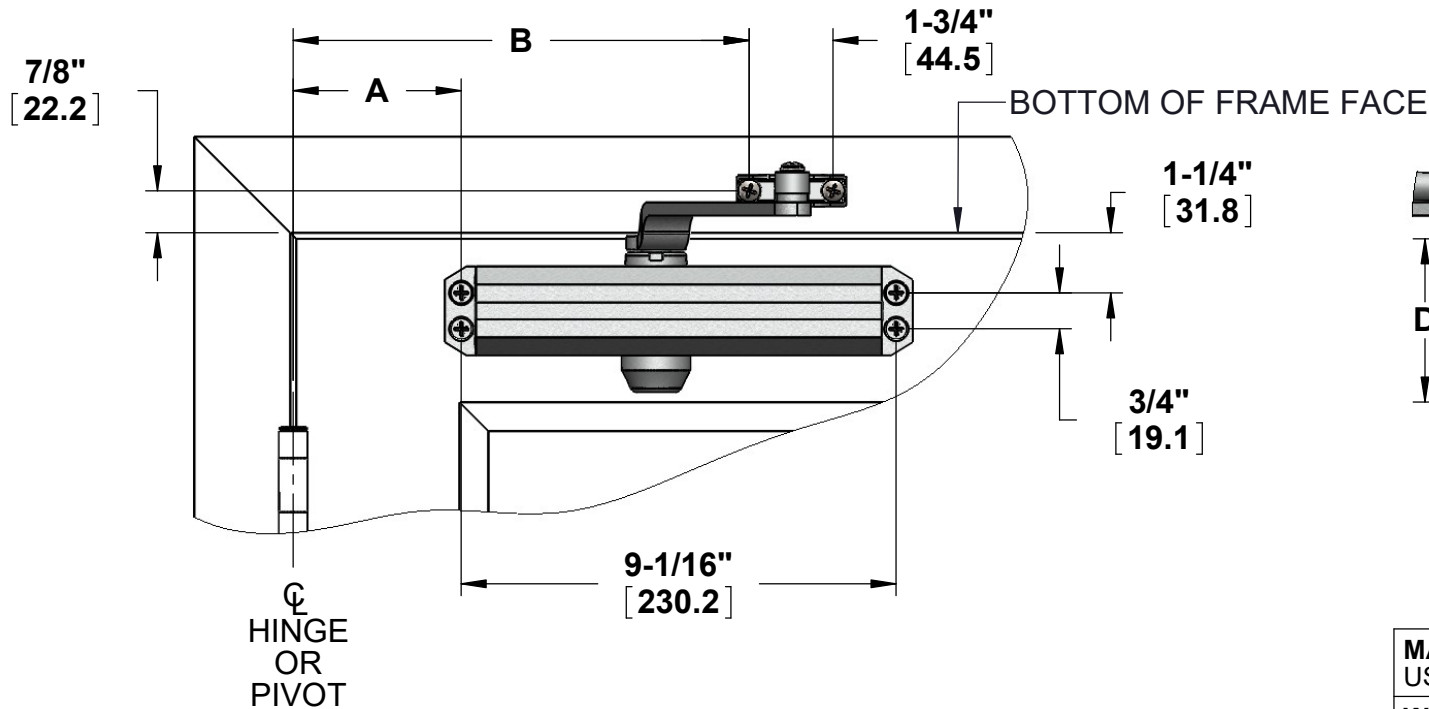
REGULAR ARM INSTALLATION - PULL SIDE  
NON-HOLD OPEN AND HOLD OPEN APPLICATIONS

TEMPLATE: 319301,  
REV. 1 08-21-18

Opening	Dim. A	Dim. B
To 100°	7" [178]	13" [330.2]
101° To 120°	6" [152.4]	12" [304.8]
Over 121°	3-1/2" [89]	9-1/2" [241.3]

Dim. C	
MIN. CEILING CLEARANCE NON-HOLD OPEN	1-1/2" [38.1]
MIN. CEILING CLEARANCE HOLD OPEN	1-5/8" [41.3]
MIN. FACE HEIGHT NON-HOLD OPEN	1-1/4" [31.8]
MIN. FACE HEIGHT HOLD OPEN	1-1/2" [38.1]

Dim. D	
MIN. RAIL TO MOUNT CLOSER	2-3/8" [60.3]
MIN. RAIL TO BOTTOM OF DUST CAP	3-1/8" [79.4]
MIN. RAIL TO BOTTOM OF (OPTIONAL) STREAMLINE COVER & INSERT	3-1/4" [82.6]



<b>MACHINE SCREWS:</b> USE #7 OR 13/64" [5.11] DRILL AND 1/4-20 TAP
<b>WOOD DOOR/FRAME SCREWS:</b> USE 5/32" [4] DRILL
<b>SEX NUTS:</b> USE 3/8" [9.53] DRILL (CLOSER TO DOOR)

**NOTES:**

1. DRAWING IS NOT TO SCALE.
2. RIGHT HAND DOOR SHOWN. FOR LEFT HAND DOOR REVERSE IMAGE.
3. DIMENSIONS BASED ON 4-1/2" X 4-1/2" BUTT HINGES.
4. DOOR SWING MAY BE ALTERED DUE TO OTHER LIMITING CONDITIONS.
5. CAUTION: SEX NUTS MAY BE REQUIRED FOR UNREINFORCED DOORS OR COMPOSITE FIRE DOORS. CONSULT MANUFACTURER'S RECOMMENDATIONS.
6. HOLD OPEN ARMS CAN NOT BE USED ON LABELED FIRE DOORS.
7. ALWAYS CHECK PDQ WEBSITE FOR THE MOST RECENT REVISION AT WWW.PDQLOCKS.COM.



PDQ Manufacturing  
2230 Embassy Dr.  
Lancaster, PA 17603  
833-273-7832  
833-2 PDQTECH  
www.pdqlocks.com