

# 3100/3101 DOOR CLOSER INSTRUCTION SHEET

TOP JAMB INSTALLATION - PUSH SIDE - NON-HOLD OPEN AND HOLD OPEN APPLICATIONS

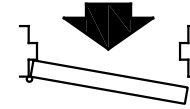
INSTRUCTION: 319352

REV. 2

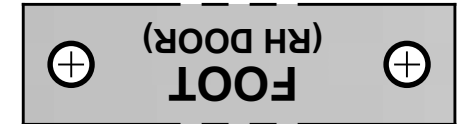
09-05-19

FOLD TEMPLATE AT HINGE/PIVOT CENTERLINE FOR THE REQUIRED OPENING ANGLE.

THIS SIDE UP FOR RH DOOR



**MACHINE SCREWS:**  
USE #7 OR 13/64" [5.1] DRILL AND 1/4-20 TAP  
**WOOD DOOR/FRAME SCREWS:**  
USE 5/32" [4.0] DRILL  
**SEX NUTS:**  
USE 3/8" [9.5] DRILL



FOLD BACK TO 100° MAX

FOLD BACK TO 120° MAX

FOLD BACK TO 180° MAX

CUT HERE (RH)

CUT HERE AND ALIGN WITH BOTTOM OF FRAME FACE (RH)

PUSH SIDE FRAME FACE

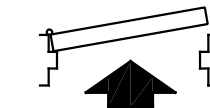
SWEEP/ LATCH VALVES THIS END OF CLOSER BODY

CLOSER BODY (LEFT HAND DOOR)

CUT HERE (LH)

CUT HERE AND ALIGN WITH BOTTOM OF FRAME FACE (LH)

OPENING	DIM A	DIM B
TO 100°	7-1/2"[190.5]	13-1/2"[342.9]
TO 120°	6"[152.4]	12"[304.8]
TO 180°	3-1/2"[88.9]	9-1/2"[241.3]



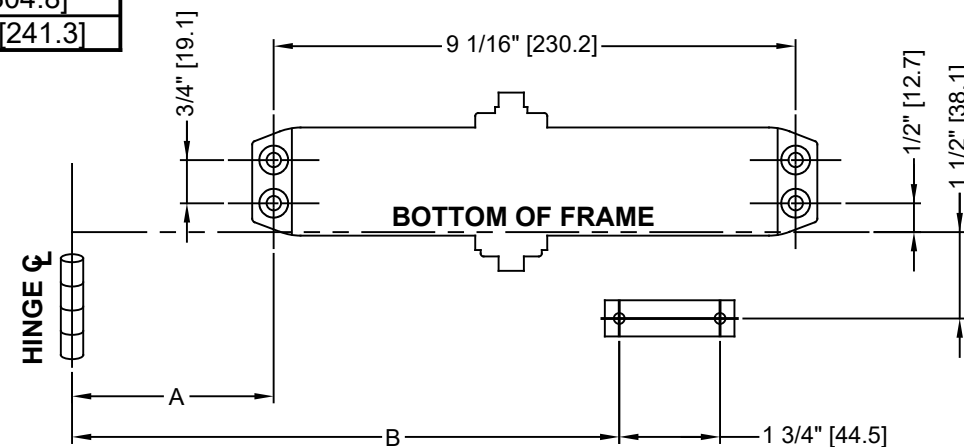
THIS SIDE UP FOR LH DOOR



ALIGN WITH HINGE/PIVOT CENTERLINE

ALIGN WITH HINGE/PIVOT CENTERLINE

ALIGN WITH HINGE/PIVOT CENTERLINE



PDQ Manufacturing  
2230 Embassy Dr.  
Lancaster, PA 17603  
833-273-7832  
833-2 PDQTECH  
www.pdqlocks.com

# 3100/3101 DOOR CLOSER INSTRUCTION SHEET

## TOP JAMB INSTALLATION - PUSH SIDE - NON-HOLD OPEN AND HOLD OPEN APPLICATIONS

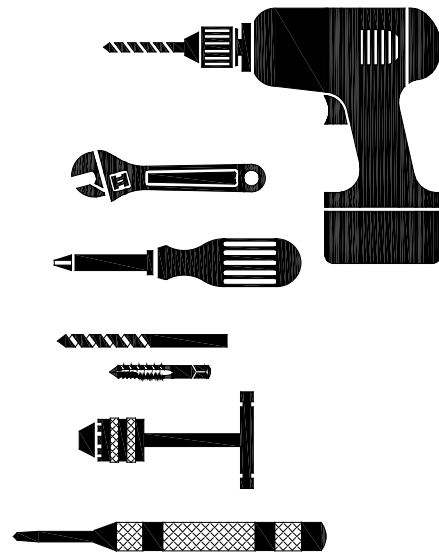
INSTRUCTION: 319352  
REV. 2 09-05-19

- 1**
1. Confirm this sheet is correct for your product and application.
  2. Read the complete instruction sheet before starting installation.
  3. Incorrectly installed or adjusted door closers can cause personal injury or property damage.
  4. To ensure safe operation closers should be examined and serviced, regularly.

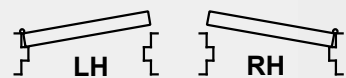
- 2**
1. See reverse side of this sheet to machine door & frame.
  2. Dimensions based on 4-1/2" x 4-1/2" full mortise butt hinges with 5/8" stop and 1/8" door gap.
  3. Confirm door & frame are properly reinforced.
  4. Sex nuts required for un-reinforced or composite fire doors.
  5. Do not install closer on the exterior (weather) side of building.

**3 TOOLS REQUIRED:**

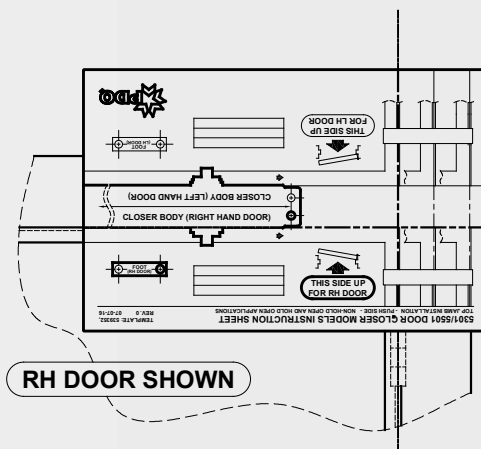
1. Power drill
2. 14mm box/combo wrench
3. Phillips screw driver
4. #7 or 13/64" drill bit and 1/4-20 tap (machine screws)
5. Tap handle
6. 5/32" drill bit (wood screws)
7. 3/8" drill bit (sex nuts)
8. Center punch



- 4 PREPARE DOOR AND FRAME:**
1. Determine maximum opening angle.
  2. Determine door hand (LH or RH).

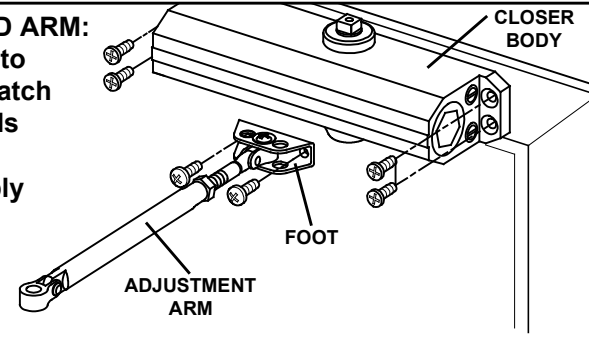


3. Align & attach full size template (see reverse side).
4. Mark door & frame with center punch.
5. Remove template before machining door & frame.

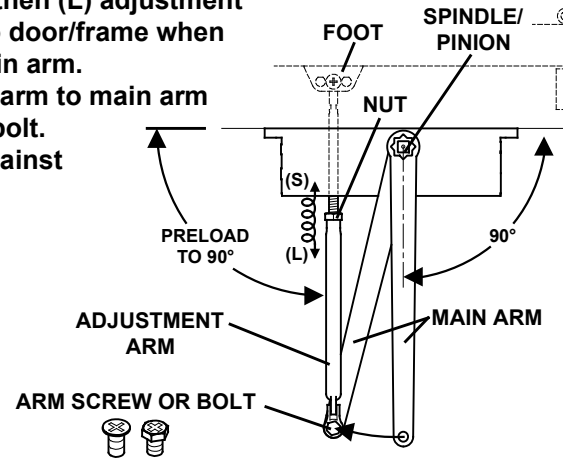


**5 INSTALL CLOSER AND ARM:**

1. Attach closer body to frame. Sweep and latch valves point towards hinge/pivot.
2. Attach foot assembly to door.



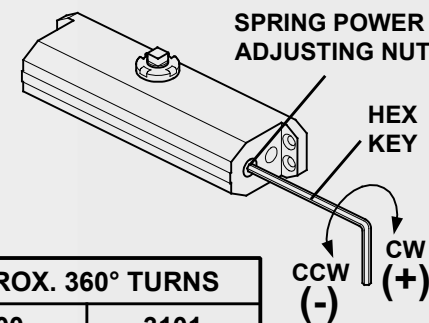
3. Secure main arm to closer spindle, 90° to door/frame.
4. Rotate main arm towards adjustment arm.
5. Shorten (S) or lengthen (L) adjustment arm until it is 90° to door/frame when connected with main arm.
6. Secure adjustment arm to main arm with arm screw or bolt.
7. Tighten lock-nut against adjustment arm.



**6 ADJUST SPRING POWER:**

1. Use 4 mm hex key provided to adjust to size on chart. Clockwise (CW) turns increase spring power (+). Counter-clockwise (CCW) turns decrease spring power (-).

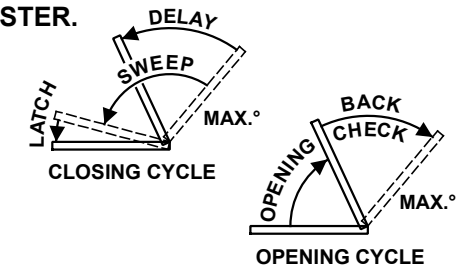
3101 Series closers can be adjusted to meet ADA Barrier Free (BF) applications. Compliance with ADA/BF requirements may result with door not fully closing and latching. Check with local AHJ. Closer size may vary due to site conditions.



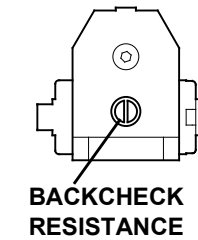
SIZE	DOOR WIDTH		APPROX. 360° TURNS	
	INTERIOR	EXTERIOR	3100	3101
BF	BF ON 36"	--	--	-16 (CCW)
1	32" [812.8]	28" [711.2]	--	-11 (CCW)
2	36" [914.4]	32" [812.8]	--	-6 (CCW)
3	42" [1006.8]	36" [914.4]	0 (PRESET)	0 (PRESET)
4	48" [1219.2]	42" [1006.8]	+5 (CW)	+5 (CW)
5	54" [1317.6]	48" [1219.2]	+9 (CW)	--
6	58" [1473.2]	54" [1317.6]	+12 (CW)	--

**7 CONTROL ADJUSTMENTS:**

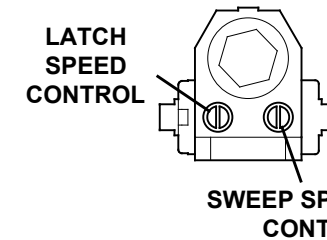
- Closing time of 3-7 seconds is typical. More time may be needed for ADA/BF access. Clockwise (CW) = SLOWER. Counter-clockwise (CCW) = FASTER. DO NOT REMOVE VALVES



1. Use hex key provided.
2. Adjust SWEEP (closing max.°- 10°).
3. Adjust LATCH (closing 10°- 0°).
4. Adjust BACKCHECK resistance (opening 70°- max.°). DO NOT COMPLETELY CLOSE VALVE

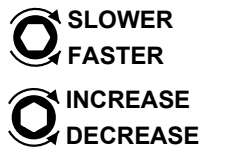


BACKCHECK RESISTANCE



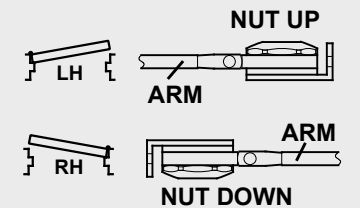
LATCH SPEED CONTROL

SWEEP SPEED CONTROL



**8 OPTIONAL HOLD OPEN ARM:**

Important: Do not use arm as limiting stop, separate dead stop is required. Friction HO arm is not recommended for doors frequently operated in/out of hold open



1. Install hold-open foot/nut. Left Hand (LH) door = Nut points up. Right Hand (RH) door = Nut points down.
2. Loosen HO nut.
3. Open door several degrees before HO position.
4. Tighten nut.

**9 INSTALL DUST CAP:**

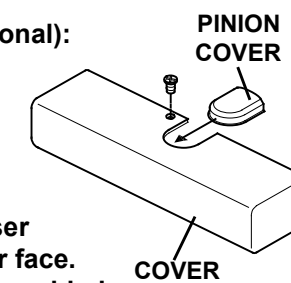
1. Press dust cap over top closer pinion.



DUST CAP

**INSTALL COVER (Optional):**

1. Orient cover so cutouts align with closer pinion.
2. Slide pinion cover into top cutout.
3. Slip cover over closer until flush with door face.
4. Secure with screw provided.



PDQ Manufacturing  
2230 Embassy Dr.  
Lancaster, PA 17603  
833-273-7832  
833-2 PDQTECH  
www.pdqlocks.com