



**Non Hold Open Door Closer**

**CAUTION**

AN INCORRECTLY INSTALLED OR IMPROPERLY ADJUSTED DOOR CLOSER CAN CAUSE PROPERTY DAMAGE OR PERSONAL INJURY. THESE INSTALLATION INSTRUCTIONS SHOULD BE FOLLOWED TO AVOID THE POSSIBILITY OF MISAPPLICATION OR MISADJUSTMENT.

**CAUTION**

# Installation Instructions 5300/5500 SERIES

Series can be adjusted from Power size 1 thru 6.

## Components

Figure 1.

**Preparation for Fasteners (Tap & Drill):** Screw No. 2, 4, 9(Wood) → 7/32" (5.5mm.)  
Screw No. 3, 5, 10(Metal) → 7/32" Drill: #7(.201 dia.), Tap: 1/4" -20

## Unit Adjustment

### Control Valve Adjustments

(see Figure 2.)

### Closing Speed Controls(Figure 2)

- Valve "1" Controls Sweep Range.
- Valve "2" Controls Latch Range.
- Valve "D" Controls Delay Range. (Optional)

### Opening Cycle

- "Backcheck" valve controls the strength of cushioning in Backcheck Range. NEVER close this valve completely- it is not to provide a positive stop. (see Figure 2).

### HOW TO ADJUST SPRING POWER (see Figure 3.)

BE NOTED THIS 990SERIES ARE SET DOWN AS DOOR CLOSER SIZE 3 FROM THE FACTORY.

EX. SIZE 2 CLOSER CAN BE MADE BY ROTATING SPRING ADJUSTING NUT ANTI CLOCKWISE 3 TURNS BECAUSE IT WAS SET DOWN AS SIZE 3 FROM THE FACTORY ORIGINALLY. ALSO IN A SAME WAY SIZE 6 CLOSER CAN BE MADE BY ROTATING SPRING ADJUSTING NUT CLOCKWISE 11 TURNS.

Closing Speed & Opening Door Controls Figure 2.

**CAUTION: DO NOT BACK VALVES OUT OF CLOSER OR A LEAK WILL RESULT.**

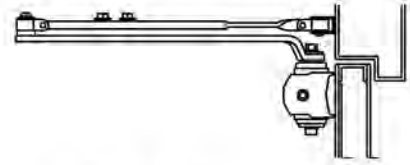
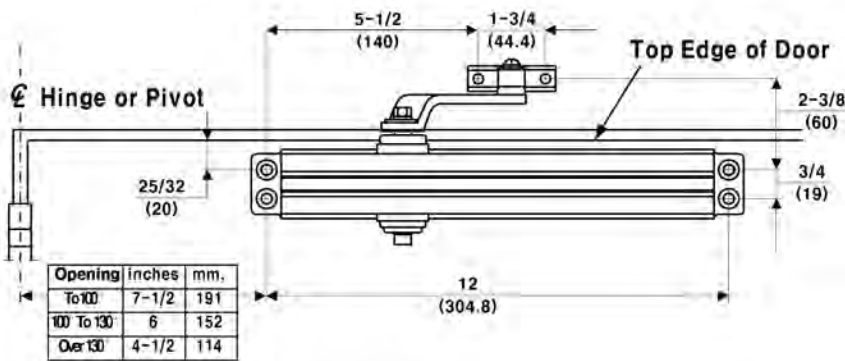
Spring Power Adjustment Figure 3.

DOOR CLOSER SIZE	CLOCKWISE TURNS OF ADJUSTING NUT	APPLICABLE DOOR LEAF WIDTH		APPLICABLE DOOR WEIGHT
		INTERIOR	EXTERIOR (SWING OUT)	
1	-5	32" (0.81m)	28" (0.71m)	33-56 LBS (15-30Kg)
2	-3	36" (0.91m)	32" (0.81m)	56-99 LBS (30-45Kg)
3	0	42" (1.07m)	36" (0.91m)	99-143 LBS (45-65Kg)
4	3	48" (1.22m)	42" (1.07m)	143-187 LBS (65-85Kg)
5	7	54" (1.37m)	48" (1.22m)	187-264 LBS (85-120Kg)
6	11	58" (1.47m)	54" (1.37m)	264-330 LBS (120-150Kg)

# Regular Arm

## Installation Instructions

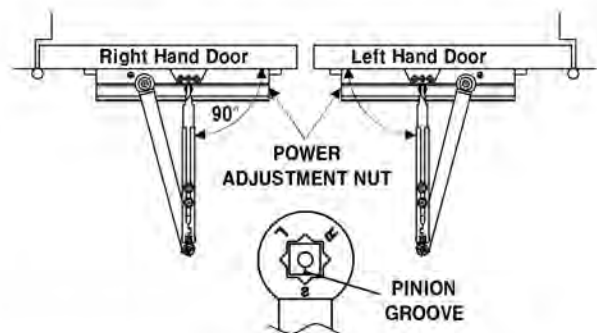
## Template



- RIGHT HAND DOOR SHOWN .
- SAME DIMENSIONS APPLY FOR LEFT HAND DOOR MEASURED FROM CENTERLINE OF PIVOT POINT.
- DIMENSIONS ARE IN  $\frac{\text{INCHES}}{\text{(mm.)}}$

### PLEASE NOTE

- This drawing is not to full scale.
- Therefore, do not use it as your template to locate the hole positions while you fabricate your door and frame for the installation of this product.
- Instead make the measurements needed manually without the use of the enclosed template which is not to full scale.

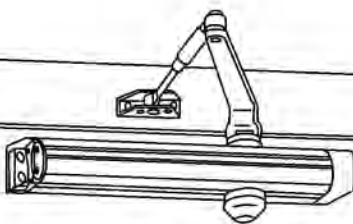


### INSTALLATION INSTRUCTIONS

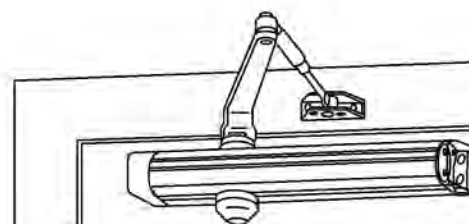
- Select angle of opening and use dimensions shown to locate 4 HOLES ON DOOR for closer body and 2 HOLES ON FRAME face for arm shoe.
- Prepare door and frame for fasteners. See "Preparation for Fasteners" , page 1-figure 1.
- Set closing power for door size using Chart see page 1-figure 3.
- Mount closer body on door with screws ② or ③, page 1-figure 1. Be sure that power adjustment nut is away from hinge.
- Place main arm on closer pinion shaft with screw ① page 1-figure 1. Indexing main arm mark "S" with pinion groove as shown at right.
- Fix arm shoe to frame with screws ④ or ⑤, page 1-figure 1.
- Insert connecting rod into forearm.
- Pull main arm toward opposite side of hinge so that connecting rod will be perpendicular to door. Fix connecting rod on forearm using screws ⑥, page 1-figure 1.
- Adjust closer and install cover and pinion cap. (When full cover is installed, use screws ⑦, page 2- figure 1.)
- See page 1 (figure 2.) for closer adjustment.

## Regular Arm Installation

Closer mounts on hinge (pull) side of door. Closers illustrated with slim covers.



Left Hand Door - LH  
Right Hand Reverse - RHR

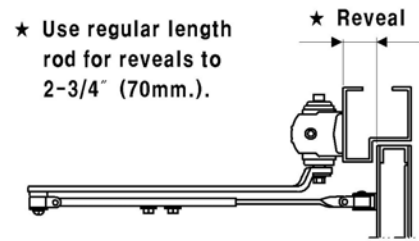
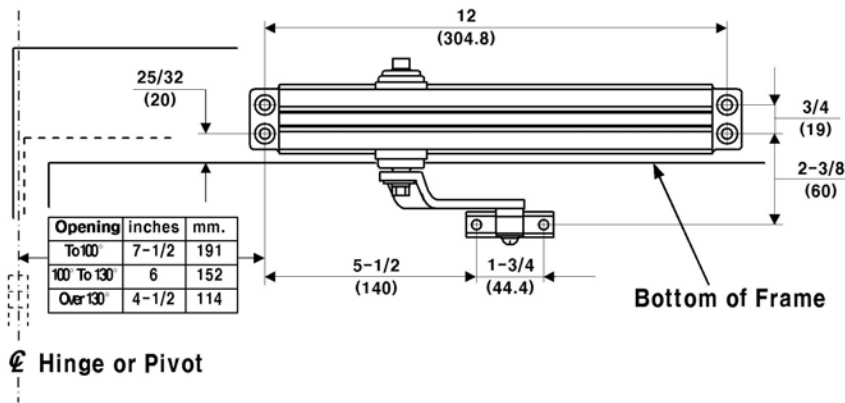


Right Hand Door - RH  
Left Hand Reverse - LHR

# Top Jamb

## Installation Instructions

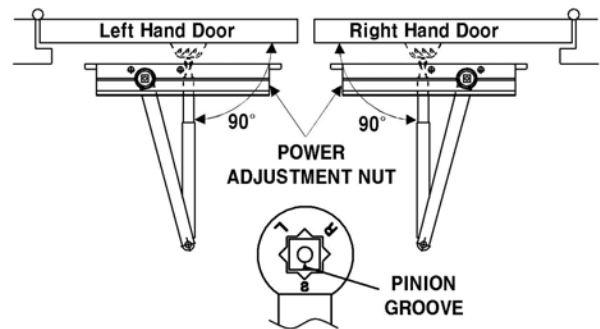
## Template



- RIGHT HAND DOOR SHOWN .
- SAME DIMENSIONS APPLY FOR LEFT HAND DOOR MEASURED FROM CENTERLINE OF PIVOT POINT.
- DIMENSIONS ARE IN  $\frac{\text{INCHES}}{\text{(mm.)}}$

## PLEASE NOTE

- This drawing is not to full scale.
- Therefore, do not use it as your template to locate the hole positions while you fabricate your door and frame for the installation of this product.
- Instead make the measurements needed manually without the use of the enclosed template which is not to full scale.

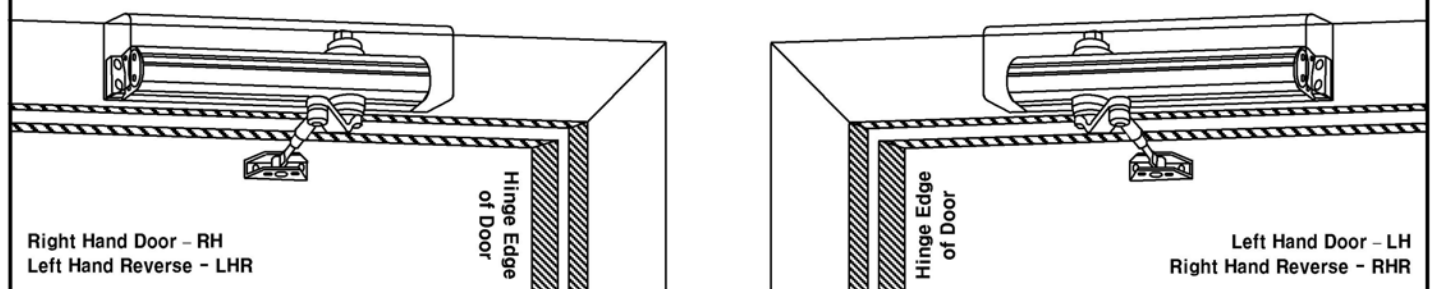


## INSTALLATION INSTRUCTIONS

- Select angle of opening and use dimensions shown to locate 4 HOLES ON FRAME for closer body and 2 HOLES ON DOOR face for arm shoe.
- Prepare door and frame for fasteners. See "Preparation for Fasteners" , page 1-figure 1.
- Set closing power for door size using Chart see page 1-figure 3.
- Mount closer body on frame with screws ② or ③, page 1- figure 1.  
Be sure that power adjustment nut is away from hinge.
- Place main arm on closer pinion shaft with screw ① page 1-figure 1.  
Indexing main arm mark "S" with pinion groove as shown at right.
- Fix arm shoe to door with screws ④ or ⑤, page 1-figure 1.
- Insert connecting rod into forearm.
- Pull main arm toward opposite side of hinge so that connecting rod will be perpendicular to door.  
Fix connecting rod on forearm using screws ⑥, page 1-figure 1.
- Adjust closer and install cover and pinion cap. (When full cover is installed, use screws ⑦, page 1- figure 1.)
- See page 1 (figure 2.) for closer adjustment.

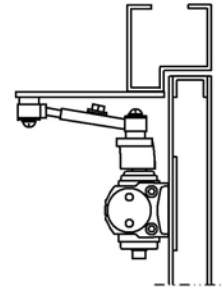
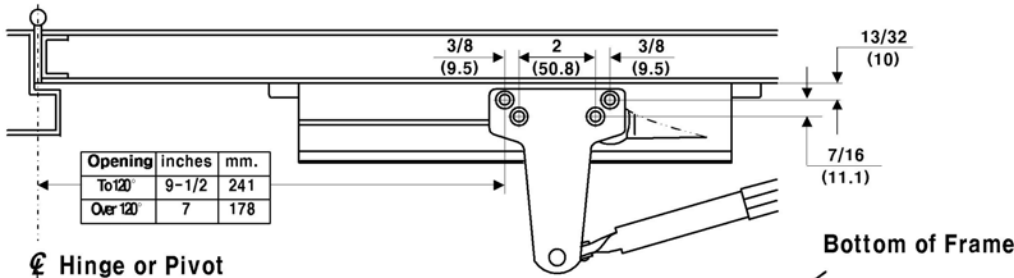
## Top Jamb Installation

Closer mounts on frame face on opposite to hinge (push) side of door. Closers illustrated with full covers.



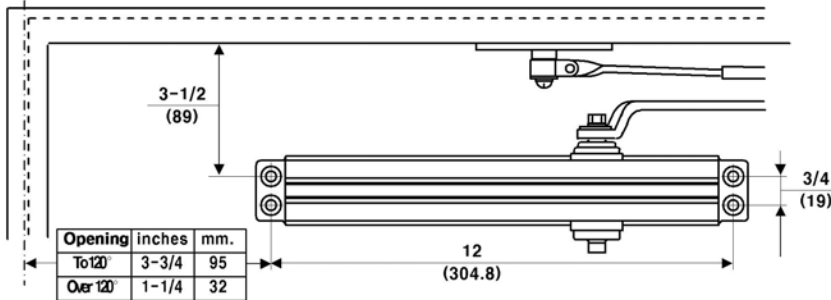
# Parallel Arm Template

## Installation Instructions



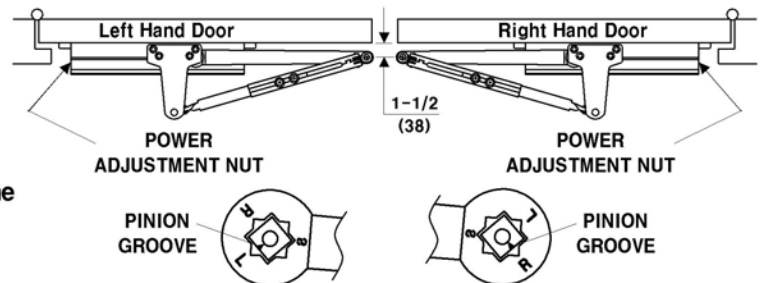
- THIS DRAWING IS NOT TO FULL SCALE.
- LEFT HAND DOOR SHOWN
- SAME DIMENSIONS APPLY FOR RIGHT HAND DOOR MEASURED FROM CENTERLINE OF PIVOT POINT.
- DIMENSIONS ARE IN 

INCHES
(mm.)



## PLEASE NOTE

- Therefore, do not use it as your template to locate the hole positions while you fabricate your door and frame for the installation of this product.
- Instead make the measurements needed manually without the use of the enclosed template which is not to full scale.



## INSTALLATION INSTRUCTIONS

- Select angle of opening and use dimensions shown to locate 4 HOLES ON DOOR for closer body and 4 HOLES ON FRAME face for parallel arm bracket.
- Prepare door and frame for fasteners. See "Preparation for Fasteners", page 1-figure 1.
- Set closing power for door size using Chart below right and see page 1-figure 3.
- Mount closer body on door with screws ② or ③, page 1-figure 1. Be sure that power adjustment nut is toward hinge.
- Place main arm on closer pinion shaft with screw ① page 1-figure 3. indexing main arm mark "L" or "R" with pinion groove as shown at right.
- Fix parallel arm bracket to frame with screws ⑨ or ⑩, page 1-figure 1.
- Disconnect arm shoe from connecting rod by removing screw. Remove arm shoe from connecting rod and discard. Assemble parallel arm bracket to connecting rod with screw ⑧, page 1-figure 1.
- Insert connecting rod into forearm.
- With door closed, adjust length of forearm and connecting rod so that the tip of the main arm is 1-1/2" (38mm.) from parallel with door. Secure with screws ⑥, page 2.
- Adjust closer and install cover and pinion cap. (When full cover is installed, use screws ⑦, page 1-figure 1.)
- See page 1 (figure 2) for closer adjustment.

## Parallel Arm Installation

Closer mounts opposite to hinge (push) side of door. Closers illustrated without covers.

