

5300/5500 DOOR CLOSER MODELS

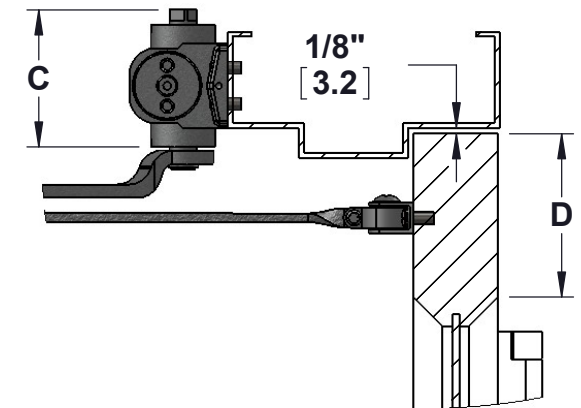
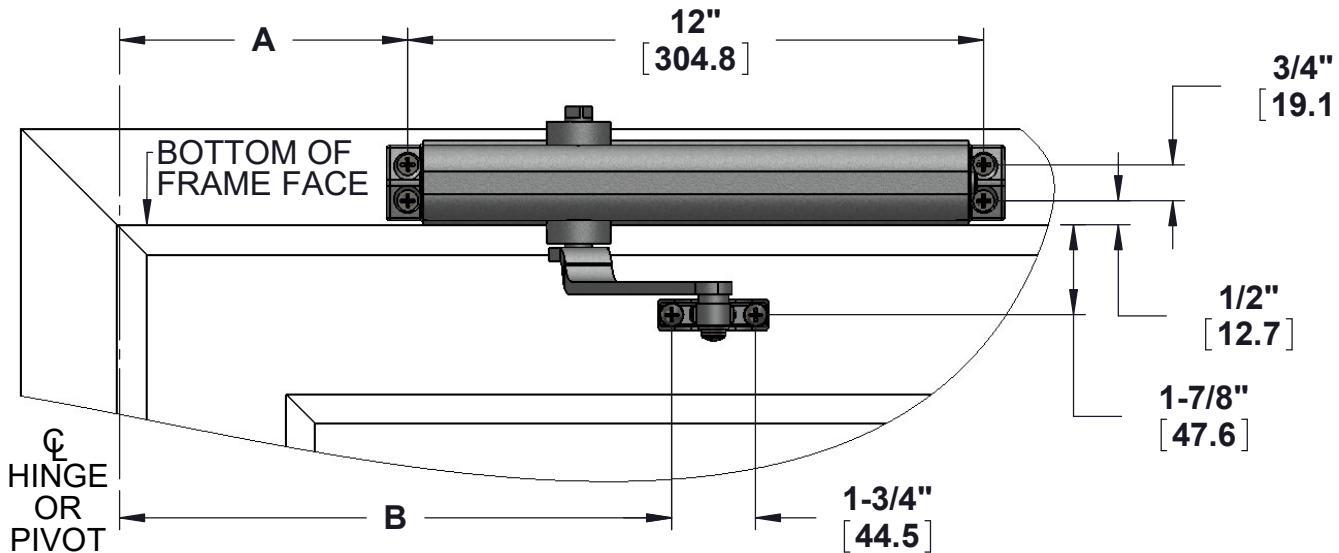
TOP JAMB INSTALLATION - PUSH SIDE
NON-HOLD OPEN AND HOLD OPEN APPLICATIONS

TEMPLATE: 539302,
REV. 0 01-31-12

Opening	Dim. A	Dim. B
To 100°	7-1/2" [190.5]	13" [330.2]
101° to 130°	6" [152.4]	11-1/2" [292.1]
Over 131°	4-1/2" [114.3]	10" [254]

Dim. C	
MIN. FRAME FACE TO MOUNT CLOSER	1-3/4" [44.5]
MIN. CEILING CLEARANCE TO END OF DUST CAP WITH STREAMLINE COVER - 5300 SERIES	2-1/2" [63.5]
MIN. CEILING TO (OPTIONAL) STREAMLINE COVER AND INSERT. FULL COVER - 5500 SERIES	2-7/8" [73]

Dim. D	
MIN. RAIL TO MOUNT NHO ARM	2-1/8" [54]
MIN. RAIL TO MOUNT HO ARM	2-1/2" [63.5]



NOTES:

1. DRAWING IS NOT TO SCALE.
2. DIMENSIONS IN **INCHES** [MM].
3. LEFT HAND DOOR SHOWN. FOR RIGHT HAND DOOR REVERSE IMAGE.
4. DIMENSIONS BASED ON 4-1/2" X 4-1/2" BUTT HINGES.
5. DOOR SWING MAY BE ALTERED DUE TO OTHER LIMITING CONDITIONS.
6. CAUTION: SEX NUTS MAY BE REQUIRED FOR UNREINFORCED DOORS OR COMPOSITE FIRE DOORS. CONSULT MANUFACTURER'S RECOMMENDATIONS.
7. HOLD OPEN ARMS CAN NOT BE USED ON LABELED FIRE DOORS.
8. ALWAYS CHECK PDQ WEBSITE FOR THE MOST RECENT REVISION AT WWW.PDQLOCKS.COM.

MACHINE SCREWS: USE #7 OR 13/64" [5.1] DRILL AND 1/4-20 TAP
WOOD DOOR/FRAME SCREWS: USE 5/32" [4] DRILL
SEX NUTS: USE 3/8" [9.5] DRILL (CLOSER TO DOOR)



PDQ Manufacturing
2230 Embassy Dr.
Lancaster, PA 17603
833-273-7832
833-2 PDQTEC
www.pdqlocks.com