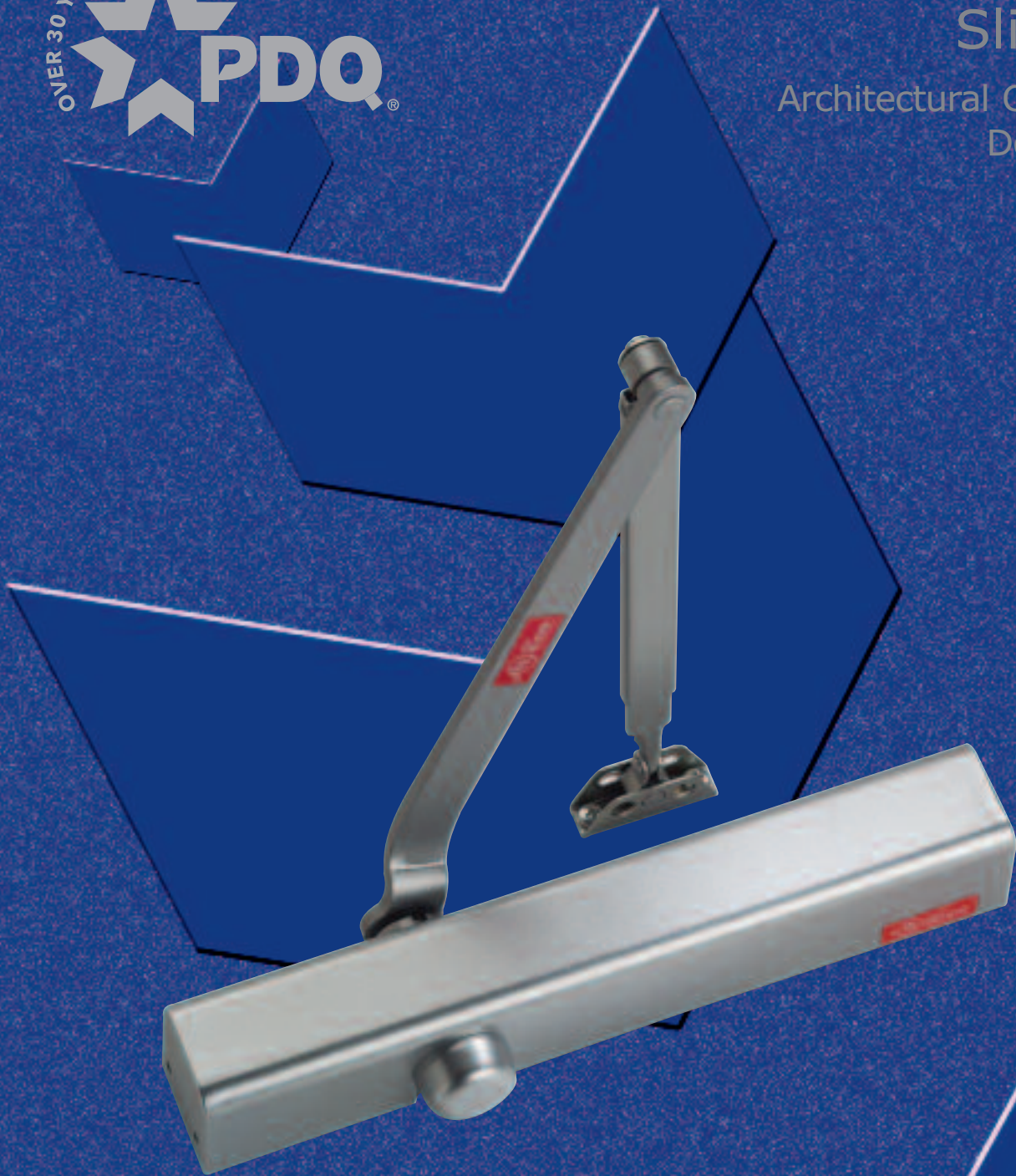




5300 Series Slim Line

Architectural Commercial
Door Control



5300 SERIES SLIM LINE

Architectural Commercial


Door Control

SUGGESTED ARCHITECTURAL SPECIFICATIONS

All door closers shall be narrow projection American Eagle 5300 Series with full rack and pinion construction, heavy duty cast aluminum closer body, stamped flat style arm assembly and full cover. Hydraulic control shall be through separate hex-key non-critical sweep, latch and backcheck adjustment. Optional delayed action to be effective from maximum opening to approximately 70 degrees. Closers shall be non-handed, suitable for regular, top jamb and parallel arm applications with fasteners

for wood or metal doors and frames. Sex nuts and bolts shall be furnished standard. Spring adjustment to be provided throughout a range of sizes 1-6 and capable of meeting barrier free opening force requirements. All products carry a 25-year manufacturer's limited warranty. Closers shall be listed by U.L./U.L.C., comply with UL 10C and UBC 7-2 (1997) for positive pressure and certified to ANSI A156.4 Grade 1.

SPECIFICATIONS

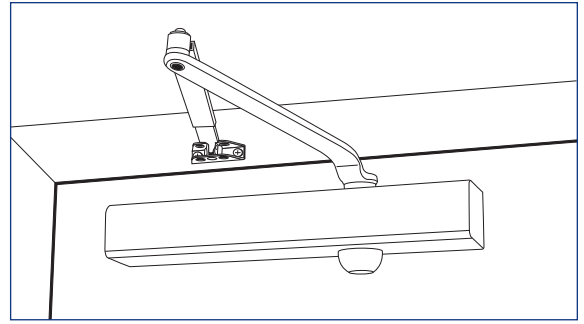
- HANDING:**
 - Non-handed
- OPERATION:**
 - Rack and pinion design
- BODY:**
 - High strength aluminum alloy
- ARM:**
 - Flat style arm assembly
- ARM OPTIONS:**
 - Hold open arm • DS/DSHO heavy duty parallel stop arm
 - Track/Hold Open Arm • Spring Cushion Stop for DS/DSHO
 - EDA (Extra Duty PA Arm). See ordering guide.
- PISTON:**
 - Hardened steel
- ADJUSTMENT:**
 - Adjustable controlled closing
 - Separate hydraulic backcheck standard
 - Separate sweep, latch and backcheck intensity valves
 - Optional adjustable delayed action
- SIZE:**
 - Adjustable  BF through 6 • Factory pre-set to size 3.
- MOUNTING:**
 - Common 12" x 3/4" mounting hole pattern retrofits Norton 8300®, Yale 3300®, DORMA 8600 (for more comparisons, see cross reference table)
 - Tri-packed for regular, top jamb and parallel arm installations
 - Fasteners furnished for hollow metal, wood or aluminum doors and frames
 - Sex nuts and bolts standard
 - Self drilling self tapping screws available
- COVER:**
 - Streamline plastic cover standard (non-handed)
- FINISHES:**
 - 689 – Aluminum, 695 – Duro bronze, 696 – Gold, 605 – Polished Brass, 625 – Polished Chrome
- CERTIFICATIONS LISTINGS**
- COMPLIANCES:**
 - UL and ULC listed
 - UL 10C listed
 - Certified to ANSI/BHMA A156.4-2006 Grade 1
 - Complies with ADA (Americans with Disabilities Act) and ICC/ANSI 117.1 for Accessible and Usable Buildings
 - Meets requirements of the Buy American Act
- WARRANTY:**
 - Twenty-five (25) year limited warranty

5300 SERIES



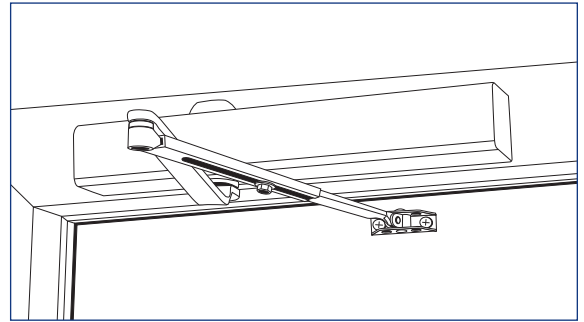
REGULAR ARM

Regular arm mount is a pull side application with double lever arm. The closer mounts on the door and the arm mounts to the frame. It provides the most efficient operation for a door control and is commonly used on in-swing doors from corridors or other interior doors. Regular arm mount is a poor choice for exterior out-swinging doors as it would put the closer on the exterior of the building. The arm assembly projects directly out from the frame. That may be a concern for vandalism or aesthetics. Regular arm application can be used with non-hold open or hold open arms.



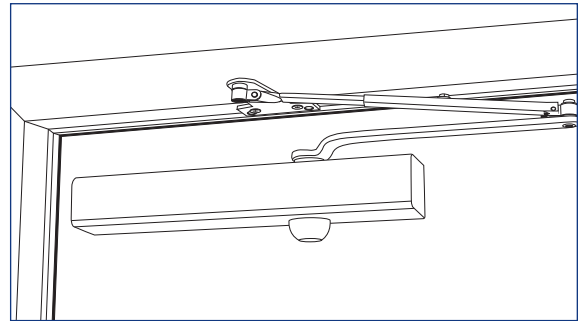
TOP JAMB

Top jamb mount is a push side double lever arm application that offers the best alternative to regular arm mount. The closer mounts to the frame and the arm mounts to the door. This application is commonly used on exterior out-swinging doors. It is a poor application for in-swinging doors from a corridor as it places the closer arm in a visible application projecting into the corridor. The arm projects out similar to regular arm mount. Therefore, it can be a concern for vandalism or aesthetics. Top jamb application can be used with non-hold open or hold open arms.



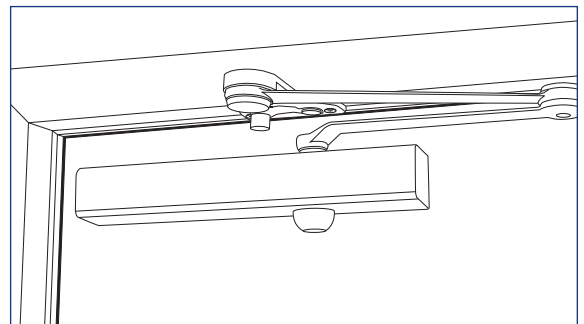
PARALLEL ARM

Parallel arm mount is a push side double lever arm application. The closer is installed on the push side of the door and the arm is mounted to a parallel arm adapter plate installed to the frame soffit. The arm is approximately parallel with the face of the door, eliminating the projection condition evident with regular arm and top jamb applications. Parallel arm is often preferred where aesthetics or vandalism are concerns. Parallel arm is less efficient than regular or top jamb mounts due to the geometry of the arm. Parallel arm application can be used with non-hold open or hold open arms.



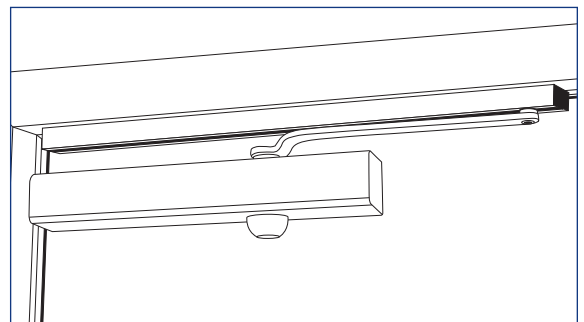
PARALLEL ARM (DS/DSHO) STOP ARM

The parallel stop arm mount is an enhanced version of the parallel arm application. It is similar to the parallel arm mount but incorporates a heavy duty rigid arm and soffit plate with limiting dead stop. The dead stop feature is field handed. The closer's backcheck function should be adjusted to cushion the impact of the stop. The parallel stop arm is intended for use where an auxiliary stop cannot be utilized. The parallel stop arm is available in non-hold open (DS) and hold open (DSHO) applications. For EDA (Extra Duty PA Arm) applications, remove stop from soffit bracket. Requires separate limiting stop by others.

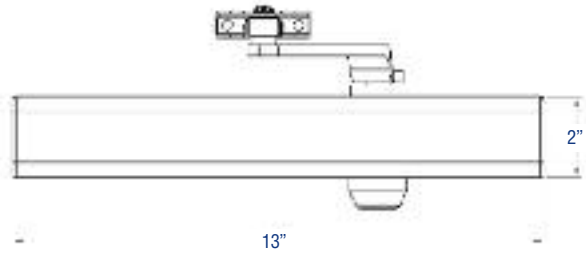


TRACK ARM (TA)

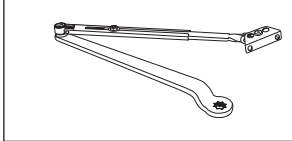
The Non Handed Track arm mount incorporates a single forged main arm for installation in high use, high abuse door applications. It's low profile helps prevent damage.



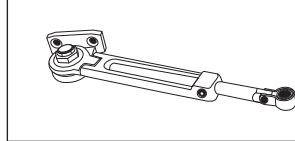
DIMENSIONS



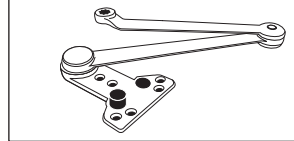
OPTIONS



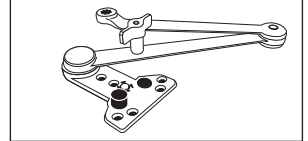
REGULAR ARM - RA* — Can be mounted REG/TJ/PA (requires PA bracket)



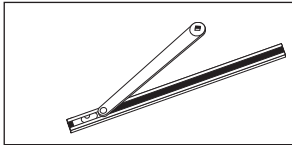
HOLD OPEN ARM - HO — Can be mounted REG/TJ/PA (requires PA bracket)



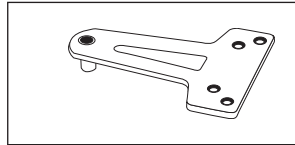
DOOR SAVER ARM - DS
PA application only



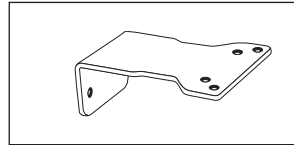
DOOR SAVER ARM - DSHO
PA application only



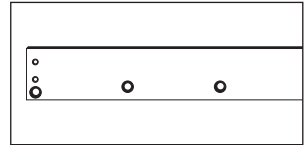
TRACK ARM ASSEMBLY - TA
TRACK ARM HOLD OPEN - TAHO



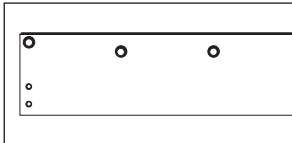
PARALLEL ARM BRACKET - PA*
Non-hold open applications



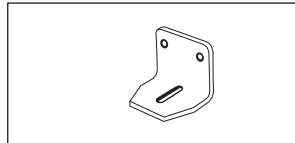
PARALLEL ARM HO BRACKET - PAHO**
Hold open applications



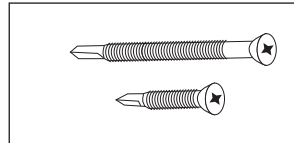
BACK PLATE - BP — For regular arm applications to clear mortised stop/holders or for TJ with limited ceiling clearance



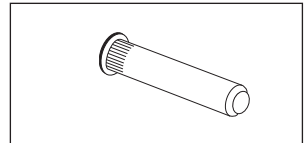
DROP PLATE - DPTJ* — Provides greater drop than BP or can be used to provide clearance for surface applied stop/holder



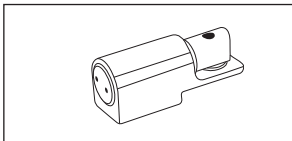
NARROW FRAME BRACKET - NFB — For use w/DS/DSHO/SCS arms & BS spacer for added reinforcement with narrow frame applications



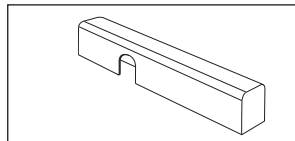
SELF DRILLING SELF TAPPING SCREWS - SDST



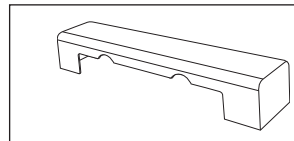
SEX NUTS AND BOLTS - SNB* — For through bolting on unreinforced, hollow core, composite or labeled fire doors, 1-3/4" only



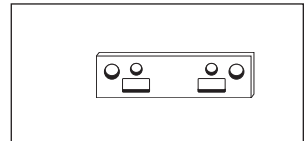
SPRING CUSHION STOP - SCS — For use w/DS/DSHO (PA mount) arms only



STREAMLINE COVER - SV (5300)*



FULL PLASTIC COVER - FC (5500)*



BLADE STOP SPACER - BS — Shims all PA brackets to clear 1/2" blade stop typical on aluminum storefront frames


*Not shown - Drop Plate PA-DPPA required for PA mount with limited top door rail.

CROSS REFERENCE

MANUFACTURER	PDQ	CAL ROYAL®	CORBIN/RUSSWIN®	DORMA	DOR-O-MATIC®	HAGER®	LCN®	NORTON/YALE®	SARGENT®	STANLEY®
SERIES	5300 Foot Pattern 12"X 3/4"	801S	DC3200	8616	SC80	5200	1460/1461	8301/3301	1430	D-3550
MOUNTING HOLE PATTERN RETRO-FIT	YES	YES	NO	YES	YES	NO	NO	YES	NO	NO



Information on this sheet is compiled from public documents and third parties. As a result, PDQ makes no guarantees as to their accuracy, content, quality or availability. Comparisons were made using the technical features only and are not commercial comparisons. Final suitability should be determined by a professional hardware consultant.

HOW TO ORDER

SERIES	SIZE	APPLICATION	TRIM			
Closer Series 5300	Adjustable Size BF-6 BF = Barrier Free 	DS – Door Saver Arm* DSHO – Door Saver Hold Open Arm** HO – Hold Open, Tri-Pack** PA – Tri-Pack (standard) SCS – Spring Cushion Stop SCSHO – Spring Cushion Stop Hold open TA – Track Arm** TAHO – Track Arm Hold Open**	Blank – SNB & Streamline (53) or Full (55) Plastic Cover(Standard) BP – Back Plate BS – Blade Stop Spacer DPTJ – Top Jamb Drop Plate DPPA – Parallel Arm Drop Plate NFB – Narrow Frame Bracket SDST – Self Drilling Self Tapping Screws			
53	0	1	BC	PA	689	BP
0 – Non-Delayed Action 4 – Delayed Action (In Addition To Backcheck)		BC – Adjustable Hydraulic Backcheck (Standard)		689 – Aluminum 695 – Duro Bronze 696 – Gold 605 – Polished Brass 625 – Polished Chrome		
DELAYED ACTION		BACKCHECK		FINISH		



NOTE: Case quantity is 6 / Case weight is 41 lbs. *For EDA (Extra Duty PA Arm) applications, remove stop from soffit bracket. Requires separate limiting stop by others. **Not appropriate for use on fire labeled doors.

SIZE SELECTOR REGULAR/TOP JAMB

CLOSER SIZE	INTERIOR DOOR WIDTH	EXTERIOR DOOR WIDTH
1	 5 lbf (36" door)	—
2	34"	 8.5 lbf (36" door)
3	38"	30"
4	48"	36"
5	54"	42"
6	60"	48"

Note: 5300 Series Closers can be adjusted to meet ADA barrier free applications. Strict compliance with ADA barrier free requirements may result with door not fully closing and latching. Check with local AHJ. Closer sizes may vary due to site conditions.

SIZE SELECTOR PARALLEL ARM

CLOSER SIZE	INTERIOR DOOR WIDTH	EXTERIOR DOOR WIDTH
1	—	—
2	 5 lbf (36" door)	—
3	34"	 8.5 lbf (36" door)
4	38"	30"
5	48"	36"
6	54"	42"

Note: 5300 Series Closers can be adjusted to meet ADA barrier free applications. Strict compliance with ADA barrier free requirements may result with door not fully closing and latching. Check with local AHJ. Closer sizes may vary due to site conditions.

WHEN TIME EQUALS MONEY

PDQ'S *PRIORITY QUICKSHIP* DELIVERS

1410 37TH ST NW, SUITE D
AUBURN, WA 98001

2507 SOUTH 300 WEST
SALT LAKE CITY, UT 84115

1926-30 LINN ST
KANSAS CITY, MO 64116

2754 CREEK HILL ROAD
LEOLA, PA 17540

Our Four Distribution Centers are ideally located to provide quick delivery throughout the entire United States. Priority Quickship items will ship same day or next day after the order is received. Contact your sales representative or PDQ Customer Service for more information.



Headquarters: 2754 Creek Hill Road • Leola, PA 17540 • 800.441.9692 • 717.656.6892 Fax
Regional Distribution Centers: Kansas City, MO, Salt Lake City, UT, Seattle, WA
www.pdqlocks.com

PDQ'S 5300 Series Brochures are now printed entirely on Forest Stewardship Council™ certified paper. FSC Certification ensures that the paper used in this catalog contains fiber from well-managed and responsibly harvested forests that meet strict environmental and socioeconomic standards. We're proud to be one of the first hardware manufacturers in the country to make this significant move to help our environment. The FSC logo on our brochure signals not only FSC Certification, but also PDQ's commitment to improving the environment.

