

# 7101 DOOR CLOSER MODELS

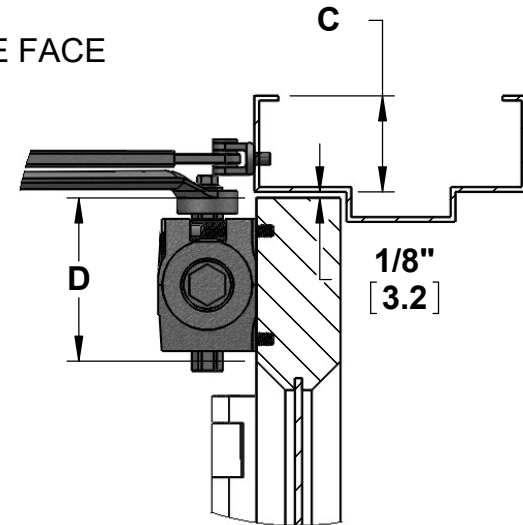
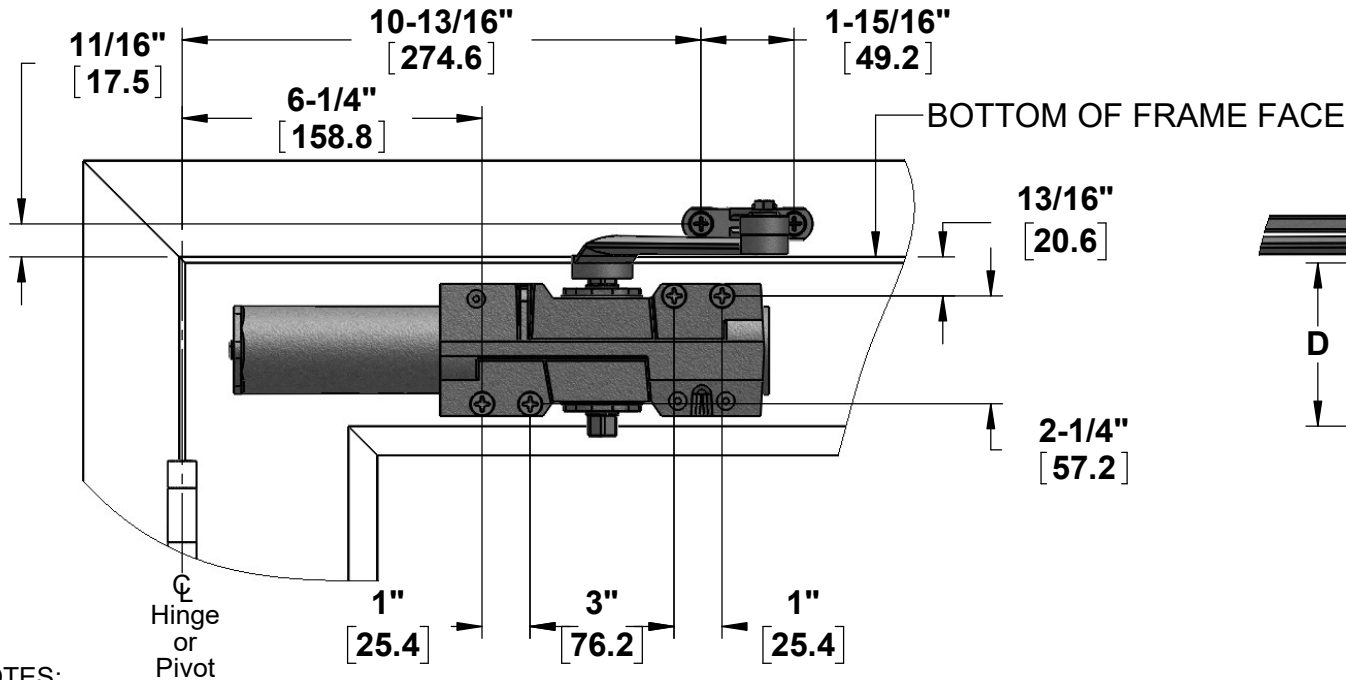
## REGULAR ARM INSTALLATION - PULL SIDE

### NON-HOLD OPEN AND HOLD OPEN APPLICATIONS

TEMPLATE: 719301,  
REV. 2 7-13-12

Dim. C	
MIN. CEILING CLEARANCE NON-HOLD OPEN	1-3/16" [30.2]
MIN. CEILING CLEARANCE HOLD OPEN	1-5/8" [41.3]
MIN. FACE HEIGHT NON-HOLD OPEN	1-1/16" [27]
MIN. FACE HEIGHT HOLD OPEN	1-1/2" [38.1]

Dim. D	
MIN. RAIL TO MOUNT CLOSER	3-1/4" [82.6]
MIN. RAIL TO BOTTOM OF FULL COVER	3-3/4" [95.3]



**NOTES:**

1. DRAWING IS NOT TO SCALE.
2. DIMENSIONS IN **INCHES** [MM].
3. RIGHT HAND DOOR SHOWN. FOR LEFT HAND DOOR REVERSE IMAGE.
4. DIMENSIONS BASED ON 4-1/2" X 4-1/2" BUTT HINGES.
5. MAXIMUM DOOR SWING 120°
6. DOOR SWING MAY BE ALTERED DUE TO OTHER LIMITING CONDITIONS.
7. CAUTION: SEX NUTS MAY BE REQUIRED FOR UNREINFORCED DOORS OR COMPOSITE FIRE DOORS. CONSULT MANUFACTURER'S RECOMMENDATIONS.
8. HOLD OPEN ARMS CAN NOT BE USED ON LABELED FIRE DOORS.
9. ALWAYS CHECK PDQ WEBSITE FOR THE MOST RECENT REVISION AT [WWW.PDQLOCKS.COM](http://WWW.PDQLOCKS.COM).

<b>MACHINE SCREWS:</b> USE #7 OR 13/64" [5.1] DRILL AND 1/4-20 TAP
<b>WOOD DOOR/FRAME SCREWS:</b> USE 5/32" [4] DRILL
<b>SEX NUTS:</b> USE 3/8" [9.5] DRILL (CLOSER TO DOOR)



PDQ Manufacturing  
2230 Embassy Dr.  
Lancaster, PA 17603  
833-273-7832  
833-2 PDQTEC  
[www.pdqlocks.com](http://www.pdqlocks.com)