

7101 DOOR CLOSER INSTRUCTION SHEET

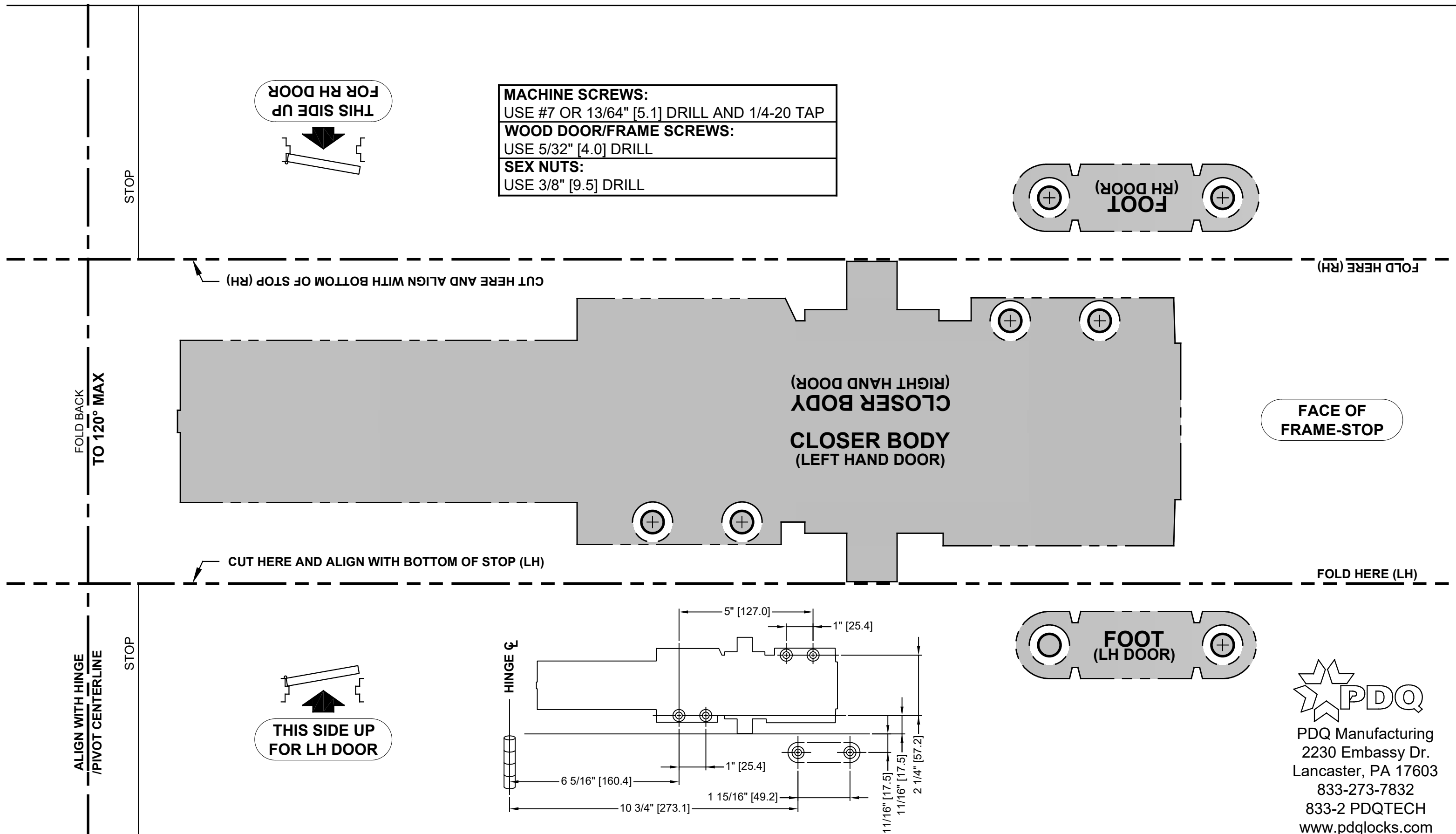
TOP JAMB INSTALLATION - PUSH SIDE (FLUSH HEADER OR SINGLE RABBET FRAME)

NON-HOLD OPEN AND HOLD OPEN APPLICATIONS - 120° MAX

INSTRUCTION: 719352

REV. 3

09-06-19



PDQ Manufacturing
2230 Embassy Dr.
Lancaster, PA 17603
833-273-7832
833-2 PDQTECH
www.pdqlocks.com

7101 DOOR CLOSER INSTRUCTION SHEET

TOP JAMB INSTALLATION - PUSH SIDE - NON-HOLD OPEN AND HOLD OPEN APPLICATIONS - 120° MAX

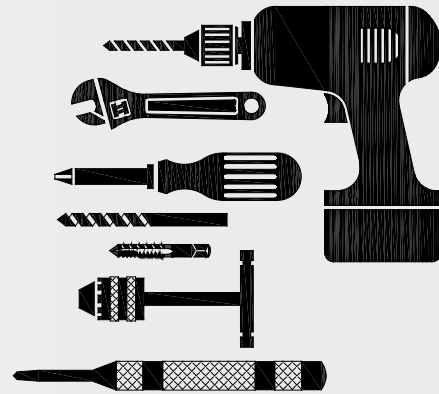
INSTRUCTION: 719352
REV. 3 09-06-19

- 1**
1. Confirm this sheet is correct for your product and application.
 2. Read the complete instruction sheet before starting installation.
 3. Incorrectly installed or adjusted door closers can cause personal injury or property damage.
 4. To ensure safe operation, closers should be examined and serviced regularly.

- 2**
1. See reverse side of this sheet to machine door & frame.
 2. Dimensions based on 4-1/2" x 4-1/2" full mortise butt hinges with 5/8" stop and 1/8" door gap.
 3. Confirm door & frame are properly reinforced.
 4. Sex nuts required for un-reinforced or composite fire doors.
 5. Do not install closer on the exterior (weather) side of building.

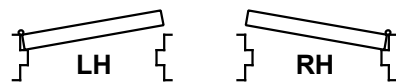
3 TOOLS REQUIRED:

1. Power drill
2. 10mm box/combo wrench
3. Phillips screw driver
4. #7 or 13/64" drill bit and 1/4-20 tap (machine screws)
5. Tap handle
6. 5/32" drill bit (wood screws)
7. 3/8" drill bit (sex nuts)
8. Center punch

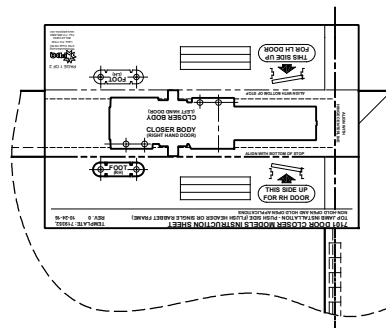


4 PREPARE DOOR AND FRAME:

1. Maximum opening = 120°
2. Determine door hand.

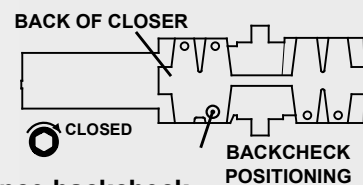


3. Align & attach full size template (see reverse side).
4. Mark door & frame with center punch.
5. Remove template before machining door & frame.



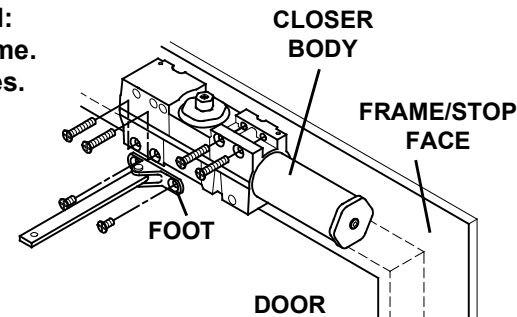
5 ADVANCE BACKCHECK:

1. For high abuse applications.
2. Backcheck starts 15° to 20° earlier (50°/55° start).
3. Completely close backcheck positioning valve to engage advance backcheck. Leave valve "as is" for normal BC (70° start).
4. If this function is desired, close valve before installing closer.

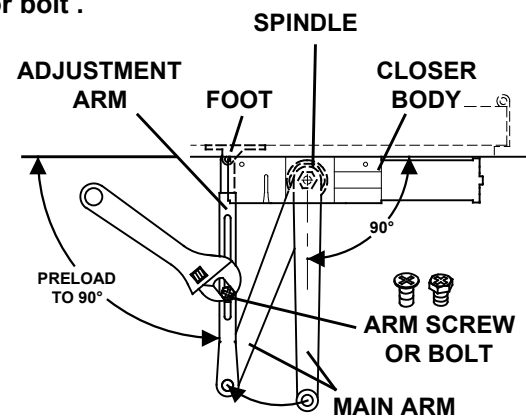


6 INSTALL CLOSER AND ARM:

1. Attach closer body to frame. Tube points toward hinges.
2. Attach foot to door.



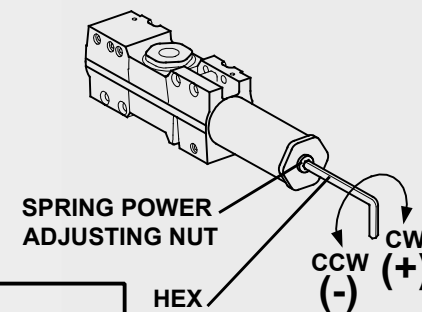
3. Secure main arm to closer spindle 90° to door/frame.
4. Connect adjustment arm with foot assembly: Rotate main arm until adjustment arm is 90° to door & frame. Tighten arm screw or bolt.



7 ADJUST SPRING POWER:

1. Use 4 mm hex key provided to adjust to size on chart. Clockwise (CW) turns increase spring power (+). Counter-clockwise (CCW) turns decrease spring power (-).

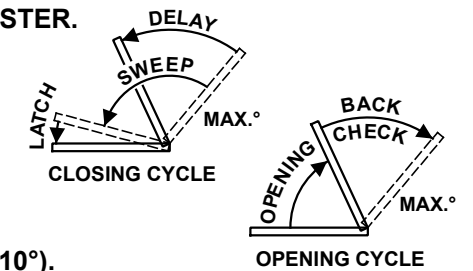
7100 Series closers can be adjusted to meet ADA Barrier Free (BF) applications. Compliance with ADA/BF requirements may result with door not fully closing and latching. Check with local AHJ. Closer size may vary due to site conditions.



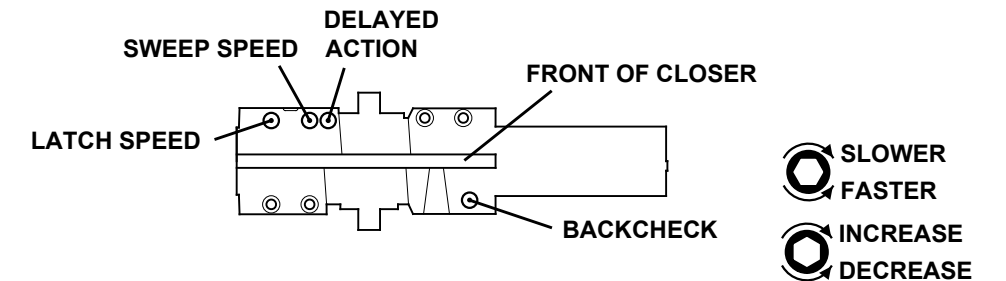
SIZE	DOOR WIDTH		360° TURNS
	INTERIOR	EXTERIOR	
BF	5 LBF ON 36"	--	-15 (CCW)
1	32" [812.8]	28" [711.2]	-12 (CCW)
2	36" [914.4]	32" [812.8]	-7 (CCW)
3	42" [1066.8]	36" [914.4]	0 (PRESET)
4	48" [1219.2]	42" [1066.8]	+4 (CW)
5	54" [1371.6]	48" [1219.2]	+6 (CW)
6	58" [1473.2]	54" [1371.6]	+9 (CW)

8 CONTROL ADJUSTMENTS:

- Closing time of 3-7 seconds is typical. More time may be needed for ADA/BF access. Clockwise (CW) = SLOWER. Counter-clockwise (CCW) = FASTER. DO NOT REMOVE VALVES

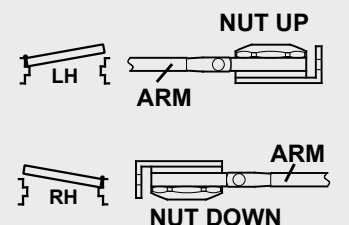


1. Use hex key provided.
2. Adjust SWEEP (closing max.°- 10°).
3. Adjust LATCH (closing 10°- 0°).
4. Adjust BACKCHECK resistance (opening 70°- max.°). DO NOT COMPLETELY CLOSE VALVE
5. Adjust (optional) DELAYED ACTION (closing max.°- 70°); Provides additional hesitation for access (ADA/BF) through door.



9 OPTIONAL HOLD OPEN ARM:

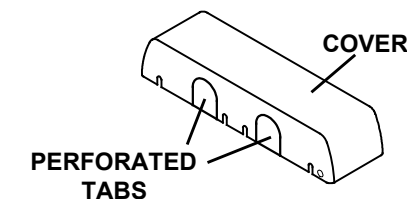
Important: DO NOT use arm as limiting stop, separate dead stop is required. Friction HO arm is not recommended for doors frequently operated in/out of hold open



1. Install hold-open foot/nut. Left Hand (LH) door = Nut points up. Right Hand (RH) door = Nut points down.
2. Loosen HO nut.
3. Open door several degrees before HO position.
4. Tighten nut.

10 INSTALL COVER:

1. Remove correct tab so cover slides over spindle.
2. Install cover over closer.
3. Secure with screws provided.



PDQ Manufacturing
2230 Embassy Dr.
Lancaster, PA 17603
833-273-7832
833-2 PDQTECH
www.pdqlocks.com