




7100 Series

Heavy Duty
Architectural
Door Control


PDOQ'S INNOVATIVE DESIGN INCLUDES A 5 LB  SPRING SETTING FOR ADA COMPLIANCE, PLUS 6 ADDITIONAL SPRING SETTINGS. THE GREATER RANGE OF SPRING SETTINGS PROVIDES 17% MORE ADJUSTMENT CAPABILITY TO FIND THAT SWEET SPOT FOR OPTIMAL DOOR CLOSING ACTION

THE  SETTING IS AVAILABLE ON BOTH REGULAR/TOP JAMB AND PARALLEL ARM APPLICATIONS.



SPRING CUSHION STOP

SPECIFICATIONS

- HANDING:** • Non-handed
- OPERATION:** • Rack and pinion design
- BODY:** • Forged steel main arm
• Flat style arm assembly
- ARM OPTIONS:** • Hold open arm
• Track/Track Hold Open
• DS/DSHO heavy duty parallel stop arm
• Spring Cushion Stop for DS/DSHO
• EDA (Extra Duty PA Arm).
- PISTON:** • Hardened steel, 1-1/2" diameter
- ADJUSTMENT:** • Adjustable controlled closing
• Separate hydraulic backcheck standard
• Backcheck positioning valve standard
• Separate sweep, latch, backcheck intensity and backcheck positioning valves
• Optional delayed action (in addition to backcheck)
- ADJUSTMENT VALVES:** • All Adjustment Valves are STAKED.
- FACTORY DEFAULT SPRING SETTING:** • Size 3
- SIZE:** • Adjustable  **BF Plus 1 through 6**
- MOUNTING:** • Mounting hole pattern retrofits LCN® 4040 (for more comparisons, see cross reference table)
• Tri-packed for regular, top jamb and parallel arm installations
• Includes fasteners for metal and wood doors
• Sex nuts and bolts standard
• Self drilling self tapping screws available
- COVER:** • Full plastic cover standard (non-handed), optional full metal cover available (handed)
- FINISHES:** • 605 (US3) – Polished Brass, 625 (US26) – Polished Chrome, 689 (US28) – Aluminum, 695 (N/A) – Duro Bronze, 696 (US4) – Gold
- FINISHES – SPRING CUSHION STOPS:** • 605 (US3) – Bright Brass (PVD), 613 (US10B) – Oil Rubbed Bronze (PVD), 630 (US32D) – Satin Stainless Steel
Note: PVD (Physical Vapor Deposition) coated finishes offer outstanding resistance to wear, durability and corrosion.
- CERTIFICATIONS LISTINGS COMPLIANCES:** • UL228 listed
• ANSI/UL 10C listed for labeled swinging fire doors rated for up to and including 3 hours
• Certified to ANSI/BHMA A156.4-2006 Grade 1
• Complies with ADA (Americans with Disabilities Act) and ICC/ANSI 117.1 for Accessible and Usable Buildings
• Meets requirements of the Buy American Act
- WARRANTY:** • Twenty-five (25) year limited warranty



SPRING CUSHION STOPS



PDQ's SCS Series Spring Cushion Stop helps reduce wear and tear on the opening. As the door begins moving through backcheck to its maximum opening angle, the stop acts as a shock absorber, dampening the impact forces.



NOTE: PLUNGER SHOWN IN RED TO ENHANCE THE CUSHIONING FEATURE.



STOP SHOWN BEFORE DOOR IS FULLY OPENED



STOP SHOWN WHEN DOOR IS FULLY OPENED

FINISHES

ARCHITECTURAL



605 (US3)
Bright Brass, Clear
Coated

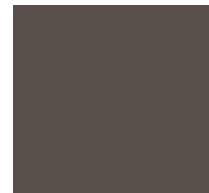


625 (US26)
Bright Chromium
Plated, No Coating

PAINTED



689 (US28)
Aluminum




695 (N/A)
Dark Duranodic
Bronze



696 (US4))
Satin Brass (Gold)

Finishes shown are representative only. PDQ cannot guarantee that product shipped will match finishes shown. Not all products are available in all finishes listed.

HOW TO ORDER



SERIES		SIZE		APPLICATION		OPTIONS	
71 – 7100 Series Door Closer		1 – Adjustable  BF-6		DS – Door Saver Arm ¹ DSHO – Door Saver Hold Open Arm ² HO – Hold Open, Tri-Pack ² PA – Tri-Pack (standard) SGS – Spring Cushion Stop TA – Track Arm TAHO – Track Arm Hold Open ²		Blank – SNB & Full Plastic Cover (Standard) BP – Back Plate BPTJ – Top Jamb Back Plate BS – Blade Stop Spacer DPTJ – Top Jamb Drop Plate DPPA – Parallel Arm Drop Plate FCM – Full Metal Cover specify Hand NFB – Narrow Frame Bracket SDST – Self Drilling Self Tapping Screws	
71	0	1	BC	PA	689	BP	
0 – Non-Delayed Action 4 – Delayed Action (In Addition To Backcheck)		BC – Adjustable Hydraulic Backcheck (Standard) Backcheck Positioning (Standard)		605 – Polished Brass 625 – Polished Chrome 689 – Aluminum 695 – Duro Bronze 696 – Gold			
DELAYED ACTION		BACKCHECK		FINISH			

Ordering Example: 7101 BCPA 689

NOTES: 1 – For EDA (Extra Duty PA Arm) applications, remove stop from soffit bracket. Requires separate limiting stop by others.
2 – Not appropriate for use on fire labeled doors

SIZE SELECTOR PARALLEL ARM

SIZE SELECTOR REGULAR/TOP JAMB

APPLICATION	CLOSER SIZE	INTERIOR	EXTERIOR
Regular / Top Jamb	 BF	5 lbf (36" door)	NA
	1	32"	28"
	2	36"	32"
	3	42"	36"
	4	48"	42"
	5	54"	48"
Parallel Arm	 BF	5 lbf (36" door)	NA
	1	28"	NA
	2	32"	28"
	3	36"	32"
	4	42"	36"
	5	48"	42"
	6	54"	48"

Note: 7100 Series Closers can be adjusted to meet ADA barrier free applications. Strict compliance with ADA barrier free requirements may result with door not fully closing and latching. Check with local AHJ. Closer sizes may vary due to site conditions.

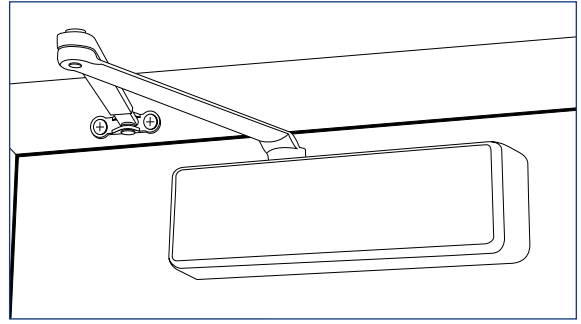
CROSS REFERENCE

MANUFACTURER	PDQ	CAL ROYAL	CORBIN/RUSSWIN®	DORMA	HAGER	LCN®	NORTON®	SARGENT®	YALE®
SERIES	7100	CR441	DC8000	8900	5100	4040	7500	281	5800/4400
MOUNTING HOLE PATTERN RETRO-FIT	YES	YES	NO	NO	NO	YES	NO	NO	NO

Information on this sheet is compiled from public documents and third parties. As a result, PDQ makes no guarantees as to their accuracy, content, quality or availability. Comparisons were made using the technical features only and are not commercial comparisons. Final suitability should be determined by a professional hardware consultant.

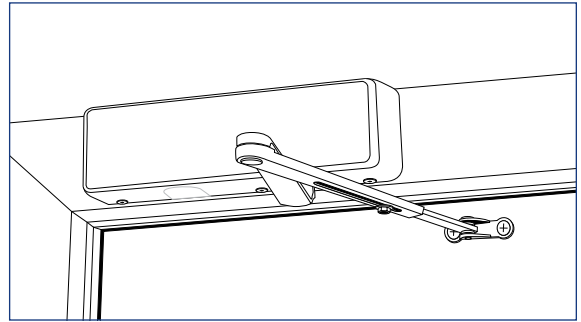
REGULAR ARM

Regular arm mount is a pull side application with double lever arm. The closer mounts on the door and the arm mounts to the frame. It provides the most efficient operation for a door control and is commonly used on in-swing doors from corridors or other interior doors. Regular arm mount is a poor choice for exterior out-swinging doors as it would put the closer on the exterior of the building. The arm assembly projects directly out from the frame. That may be a concern for vandalism or aesthetics. Regular arm application can be used with non-hold open or hold open arms.



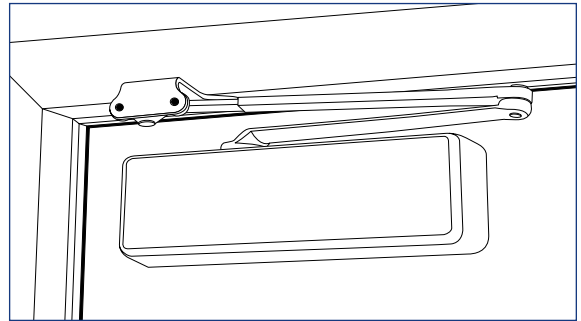
TOP JAMB

Top jamb mount is a push side double lever arm application that offers the best alternative to regular arm mount. The closer mounts to the frame and the arm mounts to the door. This application is commonly used on exterior out-swinging doors. It is a poor application for in-swinging doors from a corridor as it places the closer arm in a visible application projecting into the corridor. The arm projects out similar to regular arm mount. Therefore, it can be a concern for vandalism or aesthetics. Top jamb application can be used with non-hold open or hold open arms.



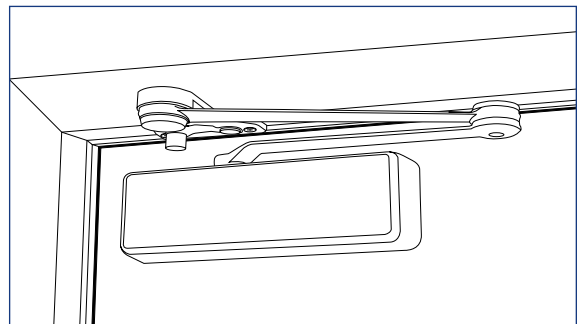
PARALLEL ARM

Parallel arm mount is a push side double lever arm application. The closer is installed on the push side of the door and the arm is mounted to a parallel arm adapter plate installed to the frame soffit. The arm is approximately parallel with the face of the door, eliminating the projection condition evident with regular arm and top jamb applications. Parallel arm is often preferred where aesthetics or vandalism are concerns. Parallel arm is less efficient than regular or top jamb mounts due to the geometry of the arm. Parallel arm application can be used with non-hold open or hold open arms.



PARALLEL ARM (DS/DSHO) STOP ARM

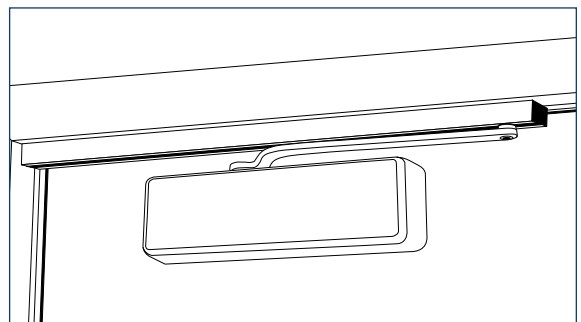
The parallel stop arm mount is an enhanced version of the parallel arm application. It is similar to the parallel arm mount but incorporates a heavy duty rigid arm and soffit plate with limiting dead stop. The dead stop feature is field handed. The closer's backcheck function should be adjusted to cushion the impact of the stop. The parallel stop arm is intended for use where an auxiliary stop cannot be utilized. The parallel stop arm is available in non-hold open (DS) and hold open (DSHO) applications. For EDA (Extra Duty PA Arm) applications, remove stop from soffit bracket. Requires separate limiting stop by others.



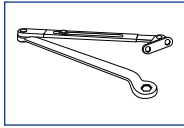
Recommend using the SCS Spring Cushion Stop for moderate to high abuse installations.

TRACK ARM (TA)

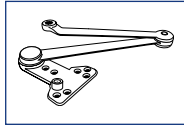
The non-handed track arm mount incorporates a single forged main arm for installation in high use, high abuse door applications. It's low profile helps prevent damage.



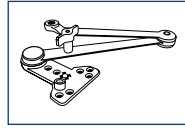
ACCESSORIES/OPTIONS



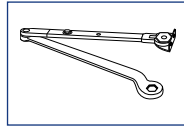
REGULAR ARM - RA*—
Can be mounted REG/TJ/
PA (requires PA bracket)



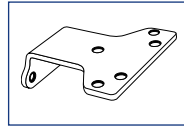
DOOR SAVER ARM - DS
PA application only



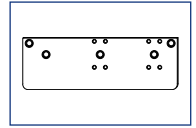
**DOOR SAVER HOLD OPEN
- DSHO**
PA application only



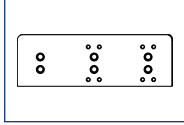
HOLD OPEN ARM - HO—
Can be mounted REG/TJ/PA
(requires PA bracket)



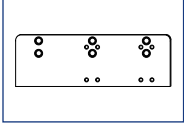
**PARALLEL ARM BRACKET
- PA*** Hold Open & Non-
Hold Open



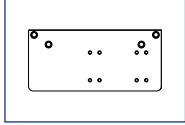
BACK PLATE - BP— For
regular arm applications to
clear mortised stop/holder



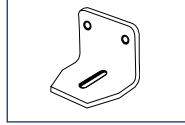
**TOP JAMB BACK PLATE -
BPTJ**— Required to mount
TJ on frame face less than 4"



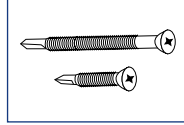
**TOP JAMB DROP PLATE
- DPTJ**— Required to
mount TJ w/limited ceiling
clearance or to clear surface
applied stop/holder



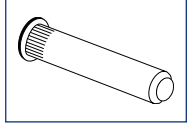
**PARALLEL ARM DROP
PLATE - DPPA**
Required for Parallel arm
mount with limited top
door rail



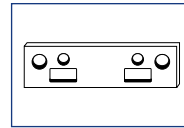
**NARROW FRAME
BRACKET - NFB**
For use w/DS/DSHO
arms & BS spacer for
added reinforcement with
narrow frame applications



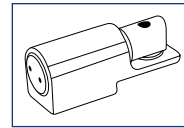
**SELF DRILLING SELF TAPPING
SCREWS - SDST**



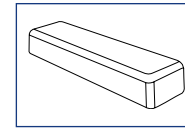
**SEX NUTS AND BOLTS
- SNB***— For through
bolting on unreinforced,
hollow core, composite or
labeled fire doors 1-3/4"
only



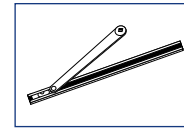
BLADE STOP SPACER - BS
— Shims all PA brackets to
clear 1/2" blade stop typical
on aluminum storefront
frames



**SPRING CUSHION STOP -
SCS**— For use w/DS/DSHO
(PA mount) arms only



FULL PLASTIC COVER - FC*
**FULL METAL COVER - FCM
(OPTIONAL)**



**TRACK ARM ASSEMBLY
- TA TRACK ARM HOLD
OPEN - TAHO**

*Included with all closers

ANSI FUNCTIONS TO PDQ MODELS

ANSI NUMBER	MOUNTING	PDQ MODEL	ANSI OPTIONS						
			PT-4A	PT-4C	PT-4D	PT-4E	PT-4F	PT-4G	PT-4H
C02011	HINGE SIDE	7101BCPA	X	X	X	X			X
		7141BCPA	X	X	X	X	X		X
C02021	PARALLEL	7101BCPA	X	X	X	X			X
		7141BCDS	X	X	X	X	X	X	X
C02041	TOP JAMB	7101BCPA	X	X	X	X			X
		7141BCPA	X	X	X	X	X		X
C02051	HINGE SIDE HOLD OPEN	7101BCHO	X	X	X	X			X
		7141BCHO	X	X	X	X	X		X
C02061	PARALLEL HOLD OPEN	7101BCDSHO	X	X	X	X		X	X
		7101BCHO	X	X	X	X			X
		7141BCDSHO	X	X	X	X	X	X	X
		7141BCHO	X	X	X	X	X		X
C02081	TOP JAMB HOLD OPEN	7101BCHO	X	X	X	X			X
		7141BCHO	X	X	X	X	X		X
C02211	HINGE SIDE TRACK	7101BCTA	X	X	X	X			X
		7141BCTA	X	X	X	X	X		X
C02221	HINGE SIDE HOLD OPEN TRACK	7101BCTAHO	X	X	X	X			X
		7141BCTAHO	X	X	X	X	X		X

SUGGESTED ARCHITECTURAL SPECIFICATIONS

All door closers shall be PDQ Industries, Inc. 7100 Series with full rack and pinion construction, heavy duty cast iron closer body, forged steel main arm and full architectural cover. Hydraulic control shall be through separate hex key non-critical sweep, latch and backcheck valve adjustment. Backcheck positioning valve to provide consistent backcheck range on parallel arm applications. Optional delayed action (in addition to backcheck) to be effective from maximum opening to approximately 70 degrees. Closers shall be non-handed, suitable for regular, top jamb and parallel arm applications with fasteners for wood and metal doors and frames. Sex nuts and bolts shall be furnished standard. Spring adjustment to be provided throughout a range of sizes to include Barrier Free plus sizes 1-6 and capable of meeting barrier free force restrictions. All products to carry a 25-year manufacturer's limited warranty. Closers shall be listed by U.L./U.L.C., comply with UL 10C and UBC 7-2 (1997) for positive pressure and certified to ANSI A156.4 Grade 1.

WHEN TIME EQUALS MONEY
PDQ'S *PRIORITY*
***QUICKSHIP* DELIVERS**

AUBURN, WA 98001

SALT LAKE CITY, UT 84115

KANSAS CITY, MO 64116

**2754 CREEK HILL ROAD
LEOLA, PA 17540**

Our Four Distribution Centers are ideally located to provide quick delivery throughout the entire United States. Priority Quickship items will ship same day or next day after the order is received. Contact your sales representative or PDQ Customer Service for more information.



Headquarters: 2754 Creek Hill Road • Leola, PA 17540 • 800.441.9692 • 717.656.6892 Fax
Regional Distribution Centers: Kansas City, MO, Salt Lake City, UT, Seattle, WA
www.pdqlocks.com

PDQ'S 7100 Series Brochures are now printed entirely on Forest Stewardship Council™ certified paper. FSC Certification ensures that the paper used in this catalog contains fiber from well-managed and responsibly harvested forests that meet strict environmental and socioeconomic standards. We're proud to be one of the first hardware manufacturers in the country to make this significant move to help our environment. The FSC logo on our brochure signals not only FSC Certification, but also PDQ's commitment to improving the environment.

