

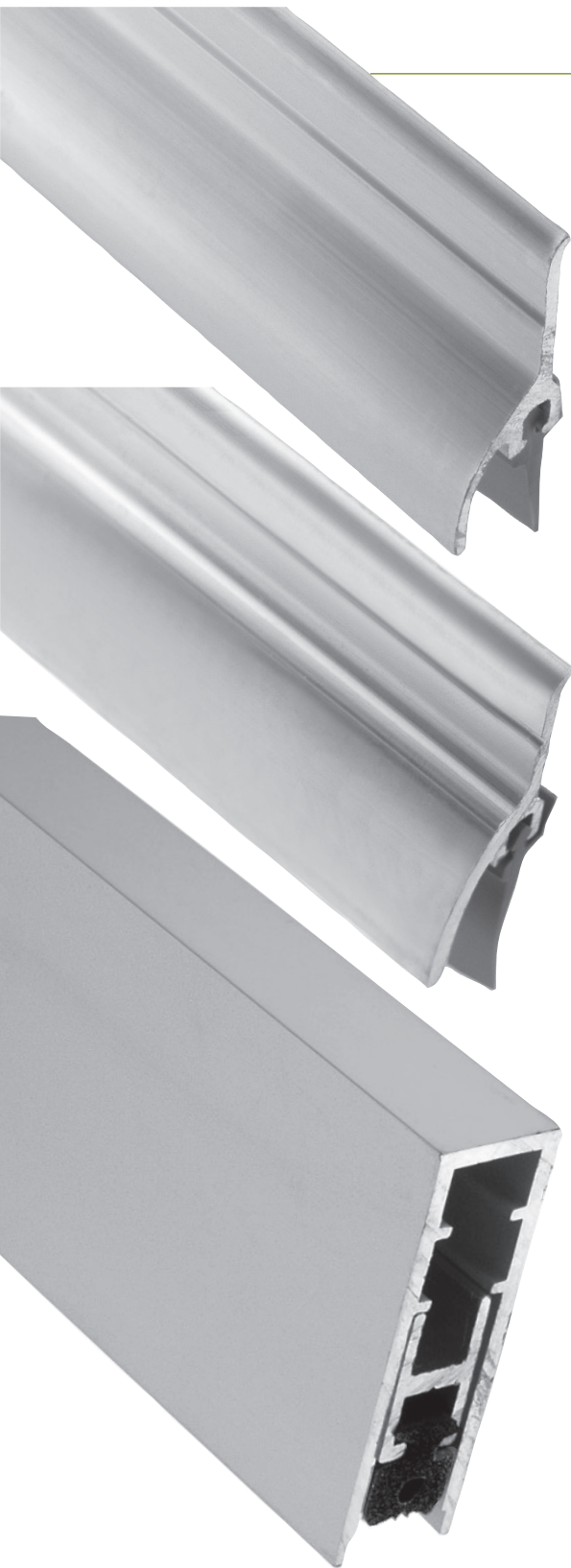
## DOOR BOTTOMS

### CONTENTS:

Automatic Door Bottoms.....	DB-2-DB-6
Security Door Bottoms.....	DB-7
Residential Automatic Door Bottoms .....	DB-7
Specialty Door Bottoms.....	DB-8
Vinyl Door Shoes.....	DB-8
Door Shoes.....	DB-9-DB-11
Door Bottom Sweeps.....	DB-12, DB-13
Stainless Steel Door Bottom Sweeps.....	DB-13
Door Top Weatherstrip.....	DB-14

### INDEX:

PRODUCT	PAGE	PRODUCT	PAGE	PRODUCT	PAGE
56.....	DB-12	321SS .....	DB-13	3692.....	DB-9
57.....	DB-12	343.....	DB-14	4131.....	DB-3, DB-4
68.....	DB-14	344.....	DB-14	4301.....	DB-3, DB-4
99.....	DB-12	345.....	DB-12, DB-13	18061.....	DB-13
196.....	DB-7	346.....	DB-14	18100.....	DB-13
209.....	DB-9	347.....	DB-14	18137.....	DB-13
210.....	DB-9	368.....	DB-12	293100.....	DB-13
211.....	DB-9	377.....	DB-14	90062.....	DB-13
215.....	DB-9	405.....	DB-7	90100.....	DB-13
216.....	DB-9	411.....	DB-3, DB-5	EPD1.....	DB-14
216_FG.....	DB-10	412.....	DB-3, DB-6	EPD2.....	DB-14
217.....	DB-9	420.....	DB-5	OS4301.....	DB-14
220.....	DB-9	430.....	DB-6	OS4343.....	DB-14
221.....	DB-10	434.....	DB-3, DB-5	K411.....	DB-3
222.....	DB-10	510.....	DB-3, DB-7	K412PA.....	DB-3
223.....	DB-11	530.....	DB-3, DB-7	K41PD.....	DB-3
234.....	DB-9	2113.....	DB-11	K412PG.....	DB-3
270.....	DB-7	2170.....	DB-8	K420.....	DB-3
307.....	DB-12	2173.....	DB-11	K430MPA.....	DB-3
308.....	DB-12	2211.....	DB-10	K430MPD.....	DB-3
309.....	DB-12	2221.....	DB-10	K430PA.....	DB-3
313.....	DB-8	2230.....	DB-11	K430PD.....	DB-3
314.....	DB-8	2343.....	DB-11	SA1.....	DB-7
315.....	DB-12	3151.....	DB-12	SA2.....	DB-7
315SS.....	DB-13	3151SS.....	DB-13	SA3.....	DB-7
317.....	DB-8	3185.....	DB-8	SA4.....	DB-7
318.....	DB-8	3452.....	DB-13	V80.....	DB-8
321.....	DB-12				



## Automatic Door Bottoms

- All PEMKO Automatic Door Bottoms, 24" and up, can be manufactured for field alteration. Please specify when ordering: Allow 2" for field trimming
- Overall sizes range from 18" to 72"
- 0.0625" Lead-lining available upon request; contact PEMKO Customer Service for options on profiles

## Drop-Bar Seal Actuation

The drop bar mechanism prevents the seal from skidding along the floor/threshold while the door is being closed.



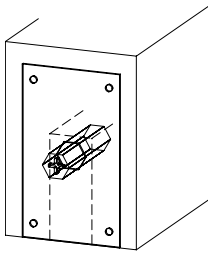
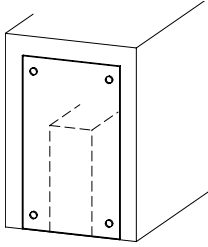
## Important Drop Bar Information

Drop seals of all types are designed to close a uniform size gap. PEMKO drop seals can seal up to  $\frac{3}{4}$ " gaps, provided the gap is consistent. Gaps that start at less than  $\frac{3}{4}$ " and then grow cannot be closed. The drop seal utilizes a straight aluminum extrusion so it cannot close an inconsistent gap.

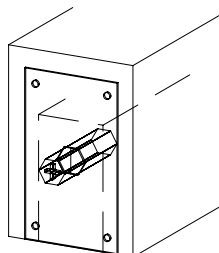
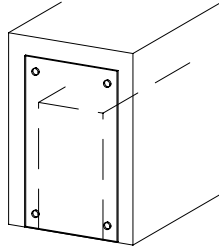
## End Plates for Automatic Door Bottoms

- Metal end plates are provided to protect the mechanism and to give a clean, aesthetic appearance. Do not tighten with power tool
- Plunger end plate prevents the plunger adjustment from rotating
- Necessary fasteners are provided with End Plate kits

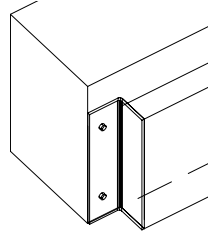
**411 End Plates**  
**Mortise**



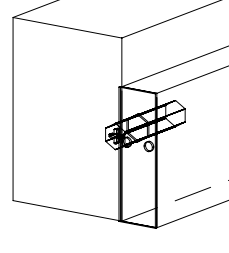
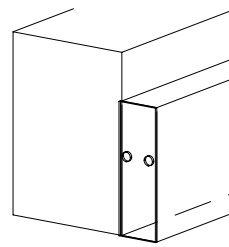
**434 End Plates**  
**Mortise**



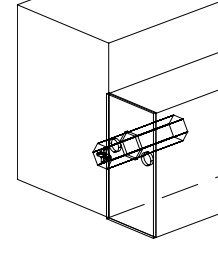
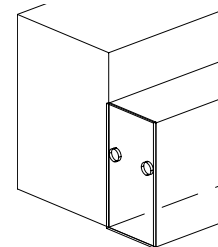
**412 End Plates**  
**Surface Mount**



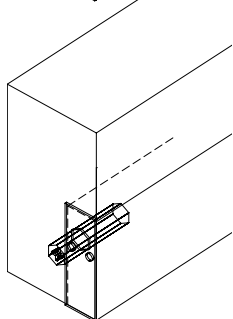
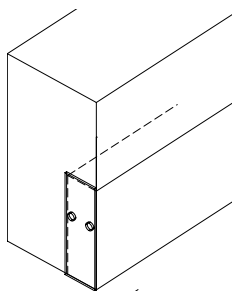
**510 End Plates**  
**Surface Mount**



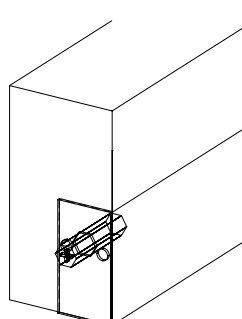
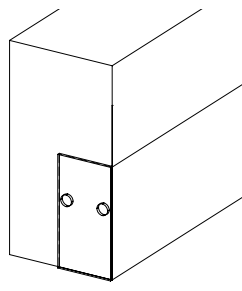
**530 End Plates**  
**Surface Mount**



**4131 Auto Door Bottom**  
**Semi-Mortise\***



**4301-430 Auto Door Bottom**  
**Semi-Mortise\***

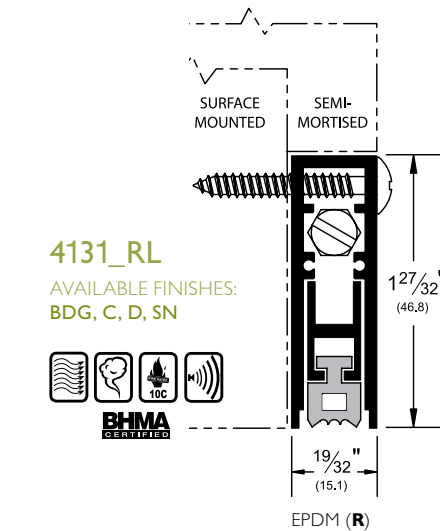
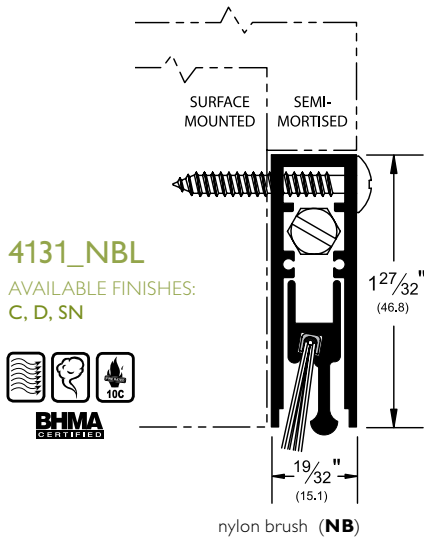
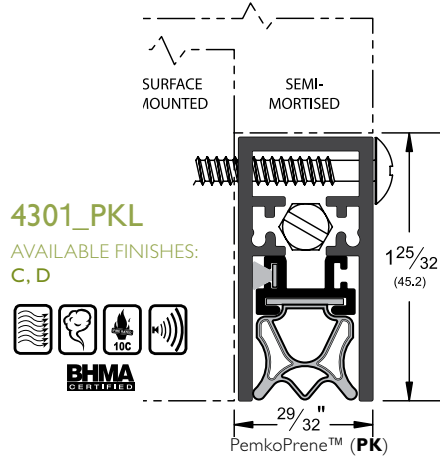
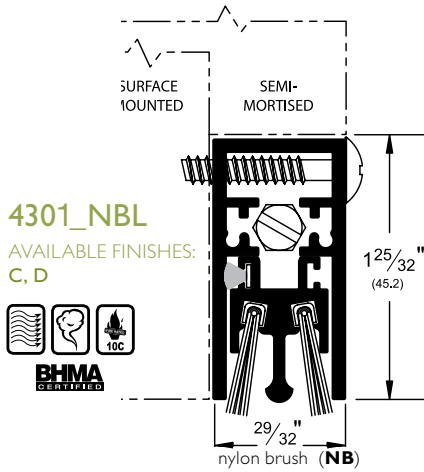


Automatic Door Bottom Kits	
K411	Kit for 411 Door Bottom
K412PA	Kit for 411 Door Bottom - Aluminum
K412PD	Kit for 411 Door Bottom - Dark Bronze
K412PG	Kit for 411 Door Bottom - Gold
K420	Kit for 420 Door Bottom
K430MPA	Kit for 430 Door Bottom - Aluminum (Mortised App.)
K430MPD	Kit for 430 Door Bottom - Dark Bronze (Mortised App.)
K430PA	Kit for 430 Door Bottom - Aluminum (Surface App.)
K430PD	Kit for 430 Door Bottom - Dark Bronze (Surface App.)

\*43, 430, and 430 models can also be applied as surface mount

## Automatic Door Bottoms - Surface and Semi-Mortise Models

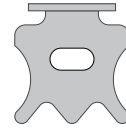
- Specify if the Automatic Door Bottom is for a semi-mortise application so that shorter screws can be provided



### Alternate Insert For 4301

#### 4301\_R

AVAILABLE FINISHES:  
C, D



EPDM (R)

### Alternate Inserts For 4131

#### 4131\_PKL

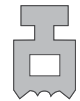
AVAILABLE FINISHES:  
BDG, C, D, SN



PemkoPrene™ (PK)

#### 4131\_SL

AVAILABLE FINISHES:  
BDG, C, D, SN



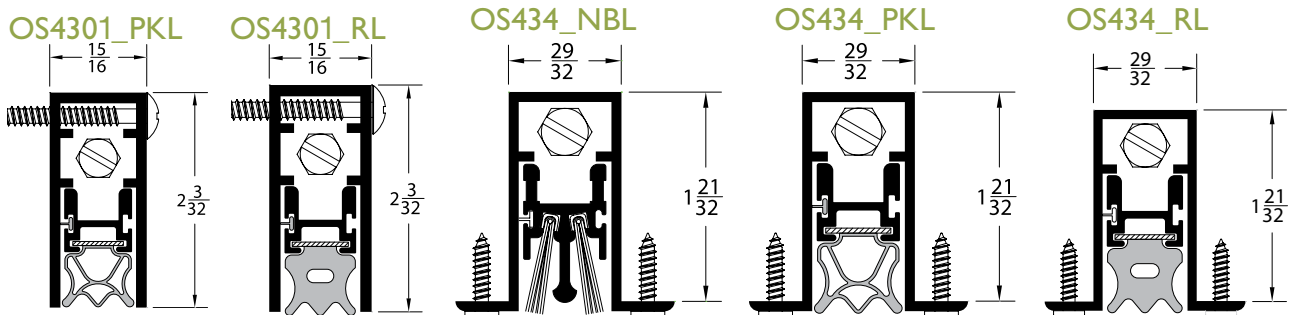
sponge silicone (S)

All above products



## Over-Sized Automatic Door Bottoms

- For Automatic Door Bottoms (ADB) in these profiles ordered over 48-inches
- Only available with our 4301 and 434 ADB profiles



NOTE: Products shown in this section may not be drawn to scale.

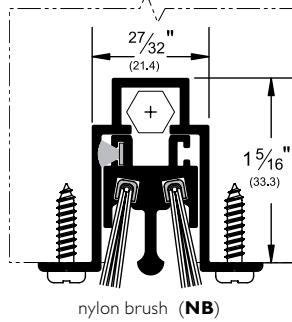
AVAILABLE FINISHES FOR PRODUCTS SHOWN ON THIS PAGE (see General Information section for finish chart)

BDG (Bright Dip Gold Anodized) C (Clear Anodized) D (Dark Bronze Anodized) SN (Satin Nickel Anodized)

## Automatic Door Bottoms - Full-Mortise Models

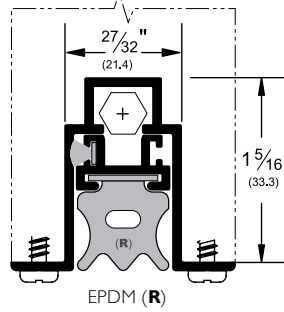
### 434\_NBL

AVAILABLE FINISH: A



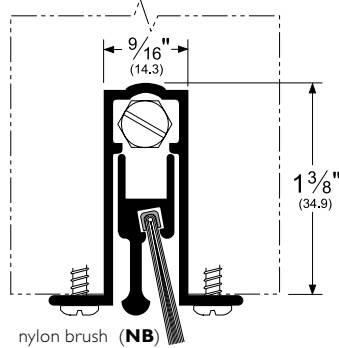
### 434\_RL

AVAILABLE FINISH: A



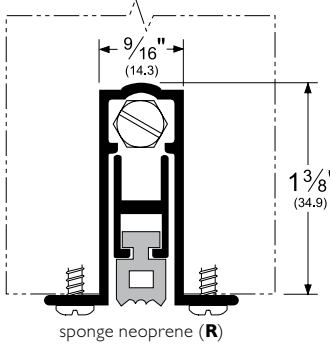
### 411\_NBL

AVAILABLE FINISH: A



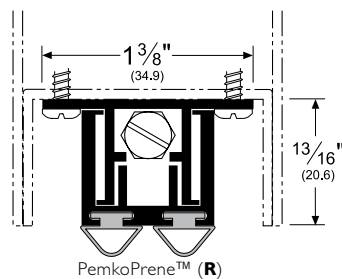
### 411\_RL

AVAILABLE FINISH: A



### 420\_PKL

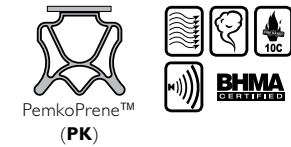
AVAILABLE FINISH: A  
For hollow metal doors.  
Maximum drop is 1/2"



#### Alternate Inserts For 434

### 434\_PKL

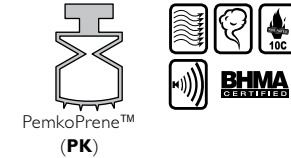
AVAILABLE FINISH: A



#### Alternate Inserts For 411

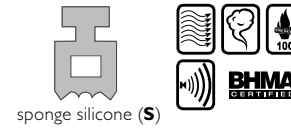
### 411\_PKL

AVAILABLE FINISH: A



### 411\_SL

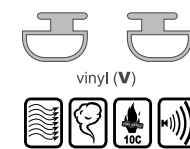
AVAILABLE FINISHES: A



#### Alternate Inserts For 420

### 420\_VL

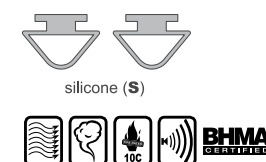
AVAILABLE FINISH: A



Vinyl products are not BHMA certified

### 420\_SL

AVAILABLE FINISH: A



NOTE: Products shown in this section may not be drawn to scale.

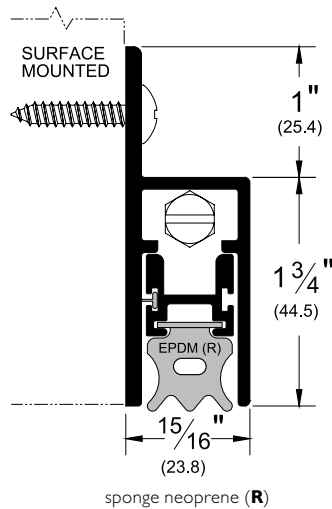
AVAILABLE FINISHES FOR PRODUCTS SHOWN ON THIS PAGE (see General Information section for finish chart)  
A (Mill Finish Aluminum)

## Automatic Door Bottoms - Handed Surface and Semi-Mortise Models

- These models have all the same features as the 4301 and the 4131 except that these are handed and disassembly of the mechanism is required to reverse the hand
- For easy non-handed installation, PEMKO recommends using the 4301 rather than the 430, and the 4131 rather than the 412. The 4301 and 4131 are shown on page DB-4

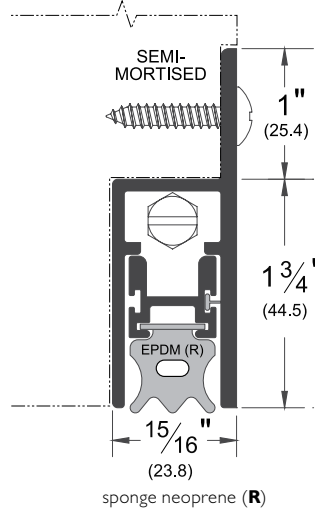
### 430\_RL

AVAILABLE FINISHES:  
C, D



### 430\_MRL

AVAILABLE FINISHES:  
C, D



#### Alternate Inserts For 430

##### 430\_PKL

AVAILABLE FINISHES:  
C, D



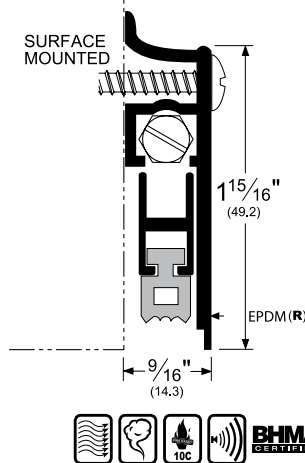
##### 430\_MPKL

AVAILABLE FINISHES:  
C, D



### 412\_RL

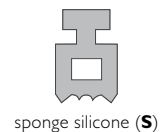
AVAILABLE FINISHES:  
B, C, D, G, S



#### Alternate Inserts For 412

##### 412\_SL

AVAILABLE FINISHES:  
B, C, D, G, S



##### 412\_PKL

AVAILABLE FINISHES:  
B, C, D, G, S



NOTE: Products shown in this section may not be drawn to scale.

AVAILABLE FINISHES FOR PRODUCTS SHOWN ON THIS PAGE (see General Information section for finish chart)

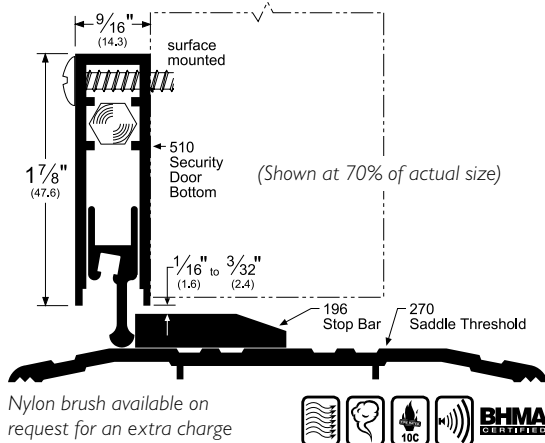
B (Mill Finish Extruded Bronze[Brass]) C (Clear Anodized) D (Dark Bronze Anodized) G (Gold Anodized) S (Cladded Stainless Steel)

## Security Door Bottoms

- Help prevent break-ins with PEMKO's security door bottoms
- Great for office buildings, dormitories, hotel/motels, multi-family housing, and other applications where break-ins from interior lever-handles are a problem
- Mounting screws and a cam are included with both security door bottom models (510 and 530)
- The 530 includes end plates that provide a clean, finished look and prevents debris from entering operating mechanisms
- Order stop bar (196) and thresholds (270, 2364, etc.) separately

### 510\_

AVAILABLE FINISHES: C, D  
AVAILABLE LENGTHS: 36", 42", 48"

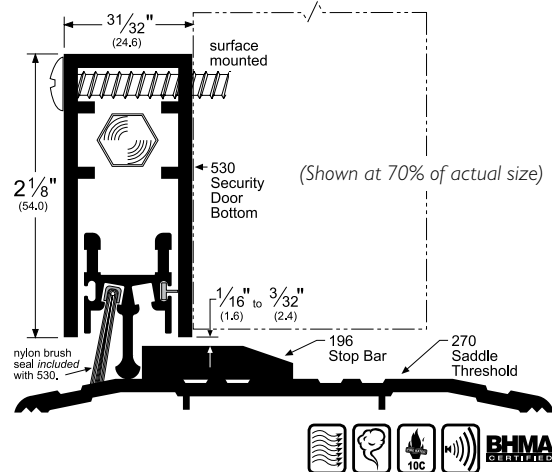


### 196\_ and 270\_

AVAILABLE FINISHES:  
A, B, D, G

### 530\_

AVAILABLE FINISHES: C, D  
AVAILABLE LENGTHS: 36", 42", 48"



### 196\_ and 270\_

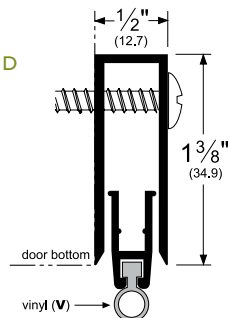
AVAILABLE FINISHES:  
A, B, D, G

## Residential Automatic Door Bottoms

### SA1\_, SA2\_, SA3\_, SA4\_

AVAILABLE FINISHES: A (no finish selection), D  
AVAILABLE LENGTHS: 28", 32", 36", 42"

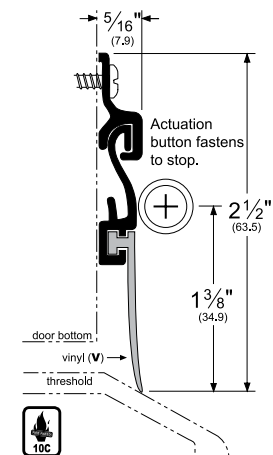
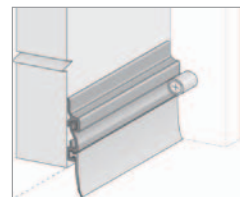
- Surface type for wood doors
- 1/2" maximum drop
- Can be trimmed down by as much as 2"
- Non-handed
- End plates are not provided



### 405\_V

AVAILABLE FINISHES:  
C, D, G, PW

- Spring loaded door bottom sweep
- Available in 36" length only
- May be cut down to 24" minimum length



NOTE: Products shown in this section may not be drawn to scale.

AVAILABLE FINISHES FOR PRODUCTS SHOWN ON THIS PAGE (see General Information section for finish chart)

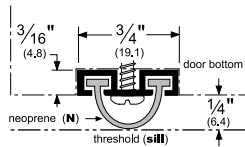
A (Mill Finish Aluminum) B (Mill Finish Extruded Bronze) C (Clear Anodized) D (Dark Bronze Anodized) G (Gold Anodized) PW (Painted White)

## Specialty Door Bottoms

- May be used in many different applications. Some of these shapes may be used as meeting stile gasketing; see pages AM-3 and AM-4 for examples

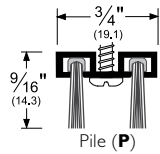
### 313\_N

AVAILABLE FINISHES:  
A, D, G



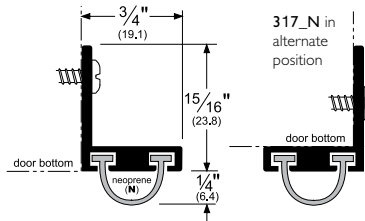
### 313\_P

AVAILABLE FINISH:  
A



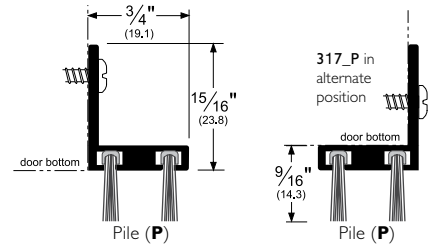
### 317\_N

AVAILABLE FINISHES:  
A, D, G



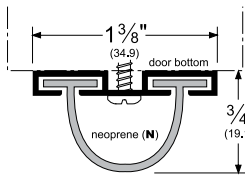
### 317\_P

AVAILABLE FINISH:  
A



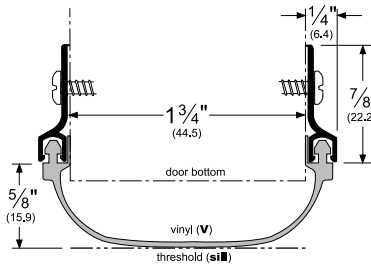
### 314\_N

AVAILABLE FINISHES:  
C, D, G



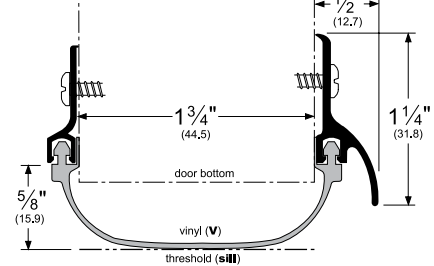
### 318\_V

AVAILABLE FINISHES:  
A, BDG, D, G, PW



### 3185\_V

AVAILABLE FINISHES:  
A, D

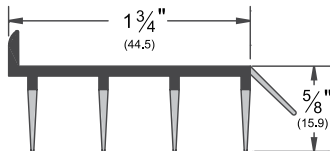


## Vinyl Door Shoes

- Dual durometer vinyl door shoe
- V80\_ is furnished net 36"

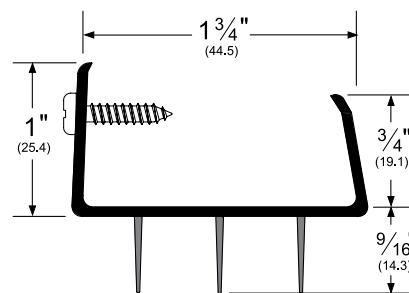
### V80\_

AVAILABLE FINISHES: D  
AVAILABLE LENGTHS: 36" NET



### 2170\_V

AVAILABLE COLORS: D, W  
AVAILABLE LENGTHS: 36", 48"



Also available with  
unnotched insert:  
2170\_V36UN  
2170\_V48UN

NOTE: Products shown in this section may not be drawn to scale.

AVAILABLE FINISHES FOR PRODUCTS SHOWN ON THIS PAGE (see General Information section for finish chart)

A (Mill Finish Aluminum) BDG (Bright Dip Gold Anodized) C (Clear Anodized) D (Dark Bronze Anodized) G (Gold Anodized) PW (Painted White)

VINYL DOORS SHOES: D (Dark Brown) W (White)



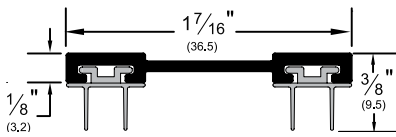
## Door Shoes

- Available with PemkoPrene™ (PK) or Vinyl (V), except 3962\_V; both seals are the same in shape and size
- Slotted holes for easy adjustment
- Rain drip model is ideal for deflecting rain away from the bottom of door
- Door shoes are provided with stainless steel fasteners

### 3692\_PK772

**NEW!**

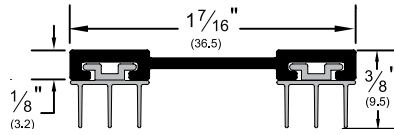
AVAILABLE FINISHES: **A**  
AVAILABLE LENGTHS: 36", 48"



### 3692\_PK773

**NEW!**

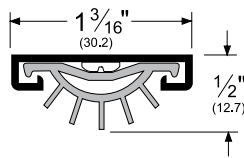
AVAILABLE FINISHES: **A**  
AVAILABLE LENGTHS: 36", 48"



### 234\_V

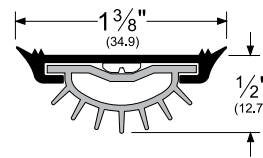
### 234\_PK

AVAILABLE FINISHES:  
**A, D, G**



### 209\_V

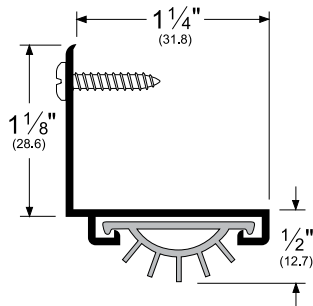
AVAILABLE FINISHES:  
**A, D, G**



### 211\_V

### 211\_PK

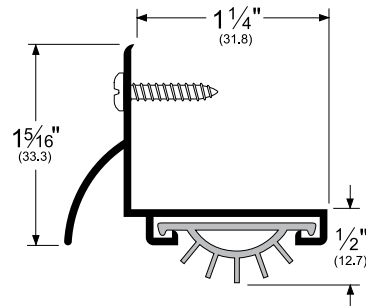
AVAILABLE FINISHES:  
**A, D, G**



### 210\_V

### 210\_PK

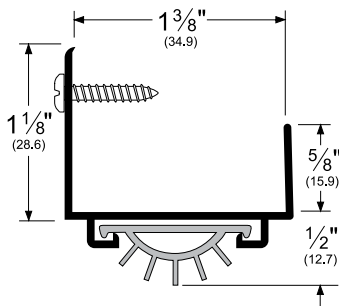
AVAILABLE FINISHES:  
**A, BDG, D, G, PW, SN**



### 220\_V

### 220\_PK

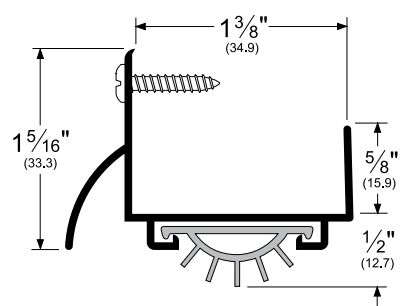
AVAILABLE FINISHES:  
**A, D, G**



### 215\_V

### 215\_PK

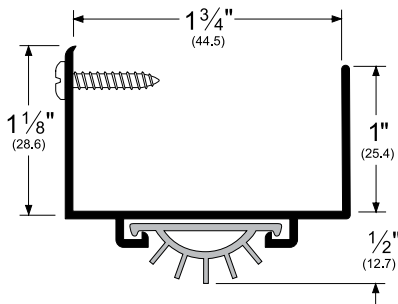
AVAILABLE FINISHES:  
**A, BDG, D, G, PW, SN**



### 217\_V

### 217\_PK

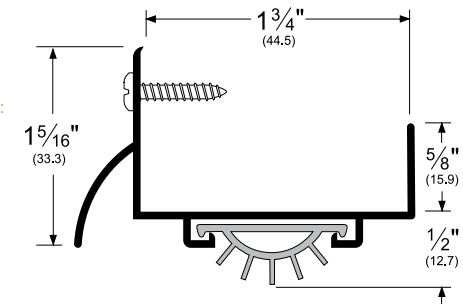
AVAILABLE FINISHES:  
**A, BDG, D, G, PW, SN**



### 216\_V

### 216\_PK

AVAILABLE FINISHES:  
**A, B, BDG, D, G, PW, SN**



NOTE: Products shown in this section may not be drawn to scale.

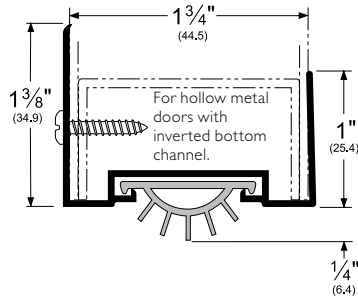
AVAILABLE FINISHES FOR PRODUCTS SHOWN ON THIS PAGE (see General Information section for finish chart)  
**A** (Mill Finish Aluminum) **B** (Mill Finish Extruded Bronze) **BDG** (Bright Dip Gold Anodized) **D** (Dark Bronze Anodized)  
**G** (Gold Anodized) **PW** (Painted White) **SN** (Satin Nickel Anodized)

## Door Shoes (Cont.)

**222\_V**

**222\_PK**

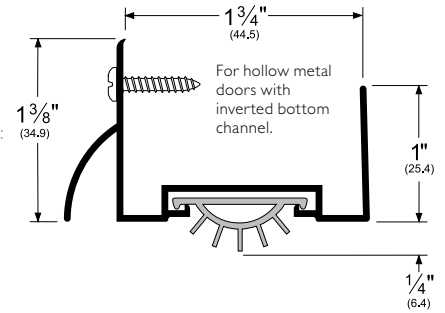
AVAILABLE FINISHES:  
A, D, G



**2221\_V**

**2221\_PK**

AVAILABLE FINISHES:  
A, D, G

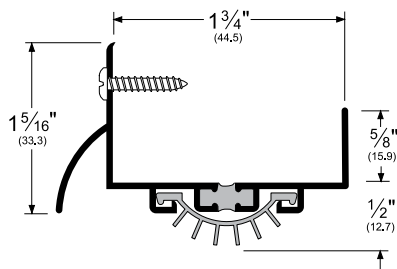


**216\_FG**

AVAILABLE FINISHES:  
BDC, BDG, D, PW, SN

**Thermal Barrier Model**

Polypropylene thermal break (FG) prevents conductivity of cold from exterior to interior. Supplied with PemkoPrene™ Seal

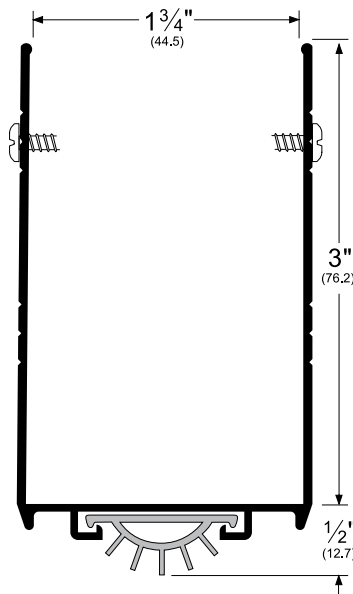


**221\_V**

**221\_PK**

AVAILABLE FINISHES:  
A, D, G

Combination door shoe and kick plate

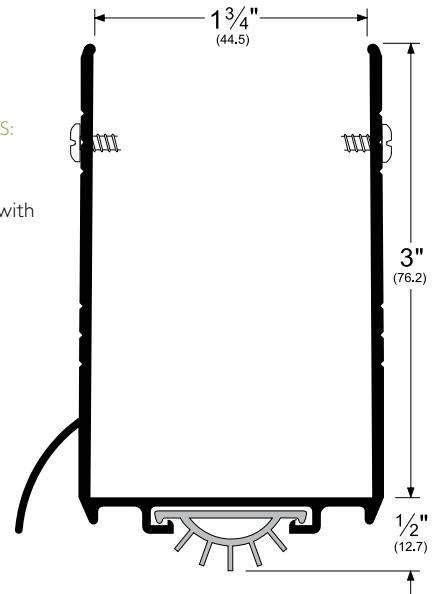


**2211\_V**

**2211\_PK**

AVAILABLE FINISHES:  
A, D, G

Combination door shoe and kick plate with raindrip



NOTE: Products shown in this section may not be drawn to scale.

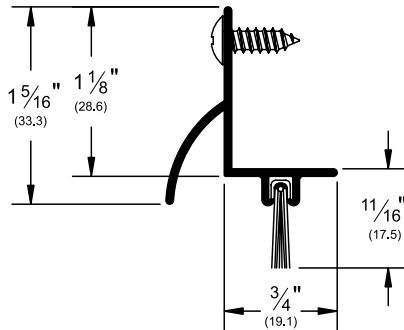
AVAILABLE FINISHES FOR PRODUCTS SHOWN ON THIS PAGE (see General Information section for finish chart)

A (Mill Finish Aluminum) BDC (Bright Dip Clear Anodized) BDG (Bright Dip Gold Anodized) D (Dark Bronze Anodized) G (Gold Anodized) PW (Painted White) SN (Satin Nickel Anodized)

## Door Shoes (Cont.)

### 2230\_NB

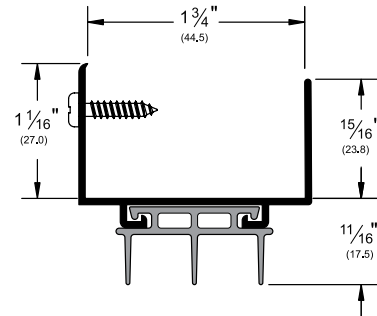
AVAILABLE FINISHES:  
A, D, G



### 2173\_V

AVAILABLE FINISHES:  
A, BDG, D, G, PW  
AVAILABLE LENGTHS:  
36\", 48\"

Also available with  
unnotched insert:  
2173\_V36UN  
2173\_V48UN

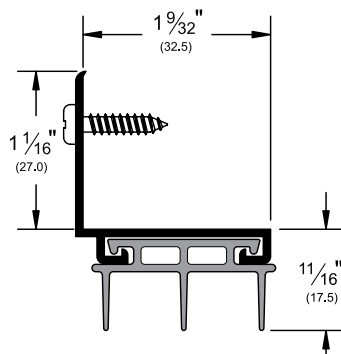


### 2113\_V

AVAILABLE FINISHES:  
A, D, G  
AVAILABLE LENGTHS:  
36\", 48\"

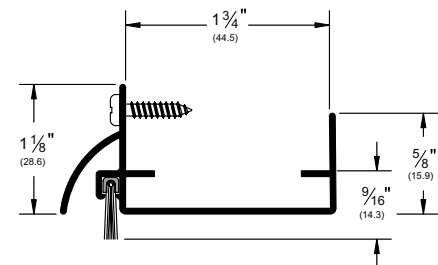
Also available with  
unnotched insert:

2113\_V36UN  
2113\_V48UN



### 223\_NB

AVAILABLE FINISHES:  
A, D, G

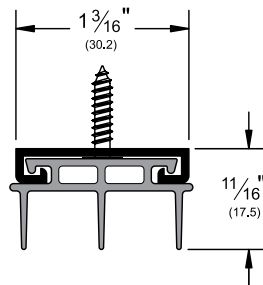


### 2343\_V

AVAILABLE FINISHES: A, D, G  
AVAILABLE LENGTHS: 36\", 48\"

Also available with  
unnotched insert:

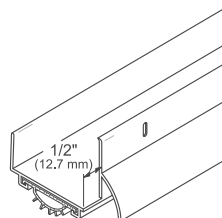
2343\_V36UN  
2343\_V48UN



## Fabrication Options for Door Shoes

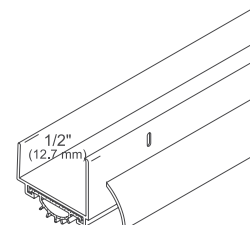
### 1/2\" Full Notch

- **Fabrication includes:** removal of rain drip and front flange of door shoe to prevent interference with door stop and weatherstrip
- **Ordering:** order width of door leaf, and designate by adding "M" following the product number  
(Example: a 216AV with a 1/2" full notch fabrication, for a 36" door leaf = 216AVM36)



### 1/2\" Half Notch

- **Fabrication includes:** removal of rain drip to prevent interference with door stop and weatherstrip
- **Ordering:** order width of door leaf and designate by adding "N" following the product number
- **Special:** Other half notches available are 3/16\", 5/8\", and 3/4\" widths, please specify when ordering  
(Example: a 216AV with a 1/2" half notch fabrication, for a 36" door leaf = 216AVN36)



NOTE: Products shown in this section may not be drawn to scale.

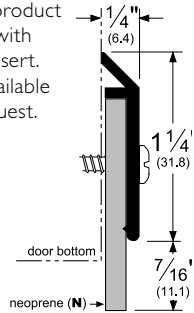
AVAILABLE FINISHES FOR PRODUCTS SHOWN ON THIS PAGE (see General Information section for finish chart)  
A (Mill Finish Aluminum) BDG (Bright Dip Gold Anodized) D (Dark Bronze Anodized) G (Gold Anodized) PW (Painted White)

## Door Bottom Sweeps

### 315\_N

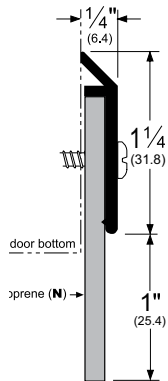
AVAILABLE FINISHES:  
B, C, D, G, PW, SN

Finished product supplied with BLACK insert. GRAY available upon request.



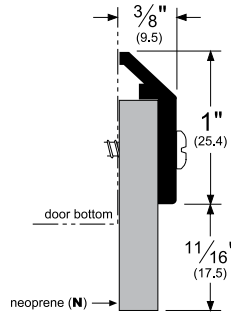
### 3151\_N

AVAILABLE FINISHES:  
C, D, G



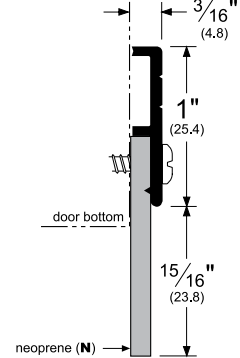
### 368\_N

AVAILABLE FINISHES:  
C, D, G



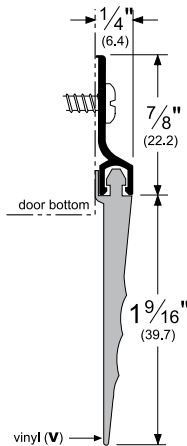
### 321\_N

AVAILABLE FINISHES:  
C, D, G



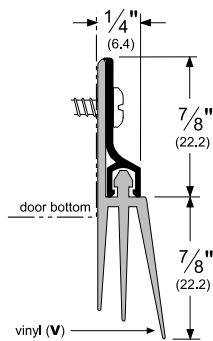
### 56\_V

AVAILABLE FINISHES:  
A, BDG, D, G, PW, SN



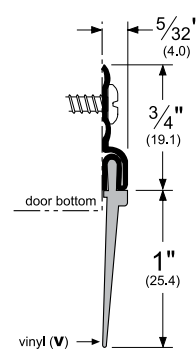
### 57\_V

AVAILABLE FINISHES:  
A, BDG, D, G, PW, SN



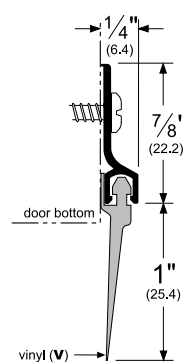
### 99\_V

AVAILABLE FINISHES:  
PA, PD, PG, PW



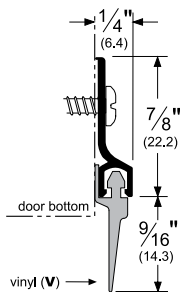
### 307\_V

AVAILABLE FINISHES:  
A, BDG, C, D, G, PW, SN



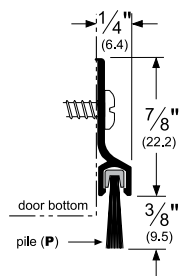
### 308\_V

AVAILABLE FINISHES:  
A, BDG, C, D, G, PW, SN



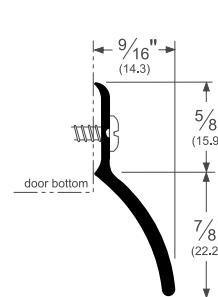
### 309\_P

AVAILABLE FINISHES:  
A, BDG, D, G, PW, SN



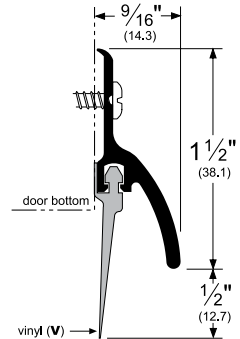
### 345\_

AVAILABLE FINISHES:  
A, B, BDG, C, D, G, PW



### 345\_V

AVAILABLE FINISHES:  
A, BDG, C, D, G, PW



NOTE: Products shown in this section may not be drawn to scale.

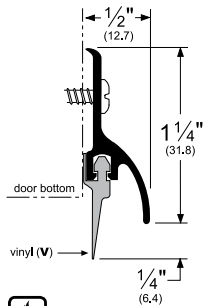
AVAILABLE FINISHES FOR PRODUCTS SHOWN ON THIS PAGE (see General Information section for finish chart)

A (Mill Finish Aluminum) B (Mill Finish Extruded Bronze [Brass]) BDG (Bright Dip Clear Anodized) C (Clear Anodized) D (Dark Bronze Anodized) G (Gold Anodized) PD (Painted Dark Bronze) PG (Painted Gold) PW (Painted White) SN (Satin Nickel Anodized)

## Door Bottom Sweeps (Cont.)

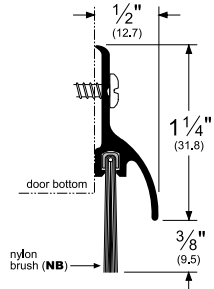
### 3452\_V

AVAILABLE FINISHES:  
A, BDG, C, D, G, PW, SN



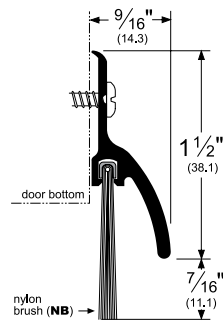
### 3452\_NB

AVAILABLE FINISHES:  
BDG, C, D, G, PW, SN



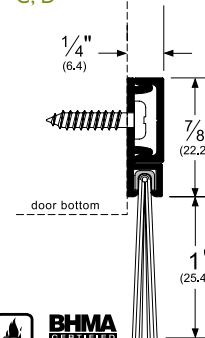
### 345\_NB

AVAILABLE FINISHES:  
A, BDG, D, G, PW



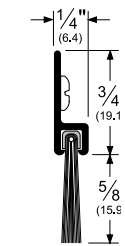
### 293100\_NB

AVAILABLE FINISHES:  
C, D



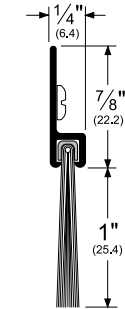
### 18061\_NB

AVAILABLE FINISHES:  
C, D, G, SN



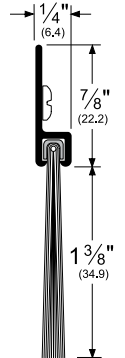
### 18100\_NB

AVAILABLE FINISHES:  
C, D, G, PW



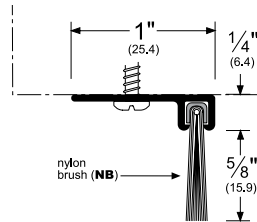
### 18137\_NB

AVAILABLE FINISHES:  
C, D, G, PW



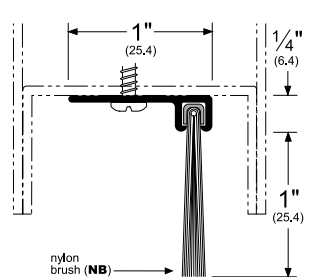
### 90062\_NB

AVAILABLE FINISHES:  
C, D



### 90100\_NB

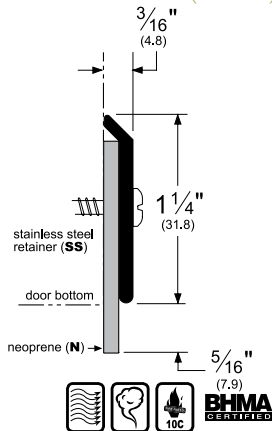
AVAILABLE FINISHES:  
C, D, G  
• For hollow metal doors with inverted channel



## Stainless Steel Door Bottom Sweeps

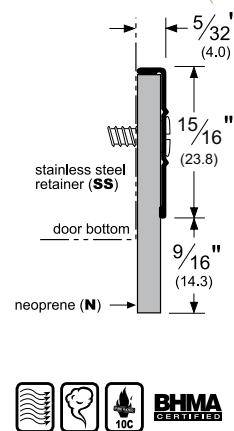
### 315SSN

AVAILABLE FINISH: SS (#4 Finish)



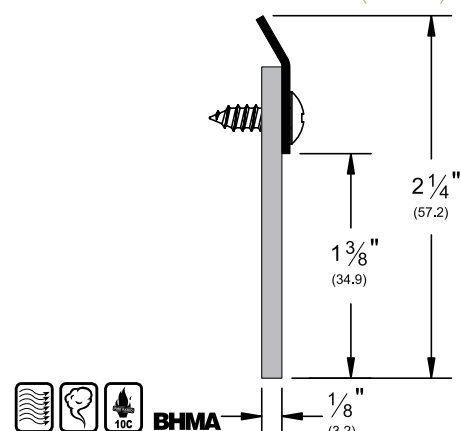
### 321SSN

AVAILABLE FINISH: SS (#4 Finish)



### 3151SSN

AVAILABLE FINISH: SS (#4 Finish)



NOTE: Products shown in this section may not be drawn to scale.

AVAILABLE FINISHES FOR PRODUCTS SHOWN ON THIS PAGE (see General Information section for finish chart)

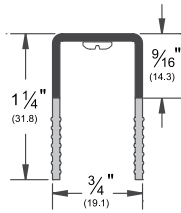
A (Mill Finish Aluminum) BDG (Bright Dip Gold Anodized) C (Clear Anodized) D (Dark Bronze Anodized) G (Gold Anodized) PW (Painted White)  
SN (Satin Nickel Anodized) SS (See Individual Part)

## Dual Durometer Specialty Door Shoes

- Dual durometer extruded door sweep
- Top portion is rigid polypropylene; bottom sweep is flexible Santoprene™
- Designed for hollow metal doors with inverted channel
- Black case to prevent light refraction under door
- Furnished undrilled; fasteners provided at additional cost

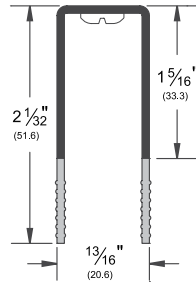
### EPD1

AVAILABLE FINISHES: **BL**  
AVAILABLE LENGTHS: **36", 48"**



### EPD2

AVAILABLE FINISHES: **BL**  
AVAILABLE LENGTHS: **36", 48"**

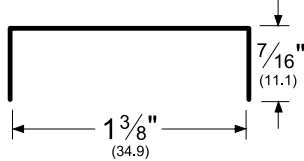


## Door Top Weatherstrip

### \_343

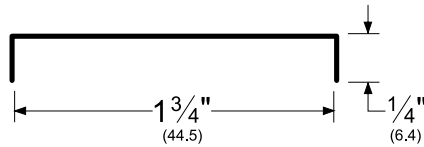
AVAILABLE FINISHES: **PA**  
AVAILABLE LENGTHS: **36", 48"**

For top of 1 3/8" wood doors



### \_344

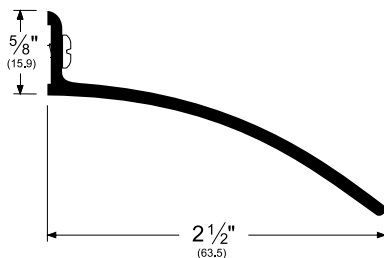
AVAILABLE FINISHES: **PA**  
AVAILABLE LENGTHS: **36", 48"**



### 346\_

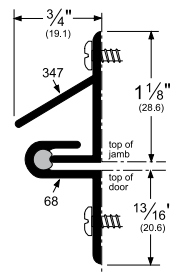
AVAILABLE FINISHES: **C, D, G, PW**

- Overhead rain drip with slotted holes
- Should be ordered a minimum of 4" longer than the door width



### 347\_

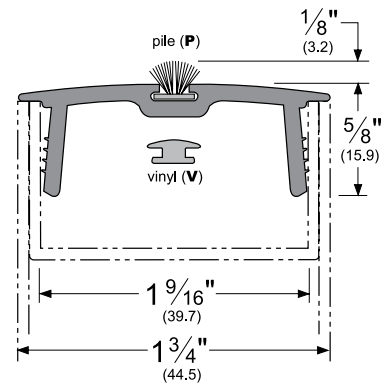
AVAILABLE FINISHES: **A, D, G**



### 377P\_

### 377V\_

Rigid tan colored vinyl with vinyl (V) insert or pile (P) insert used as a door top (or bottom) filler strip for hollow metal doors



NOTE: Products shown in this section may not be drawn to scale.

AVAILABLE FINISHES FOR PRODUCTS SHOWN ON THIS PAGE (see General Information section for finish chart)

**A** (Mill Finish Aluminum) **C** (Clear Anodized) **D** (Dark Bronze Anodized) **G** (Gold Anodized) **PA** (Painted Aluminum) **PW** (Painted White)

Non-Metal Finish: **BL** (Black)