

Architectural Door Accessories

ASSA ABLOY
Opening Solutions

Pemko Hospitality Products:
Privacy Door Latch

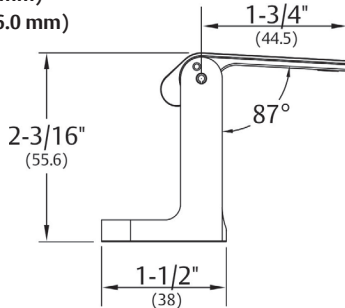
Experience a safer
and more open world

PDLAA_ 

AVAILABLE FINISHES: 3, 4, 26, 26D/15, BSP

WIDTH: 1-1/2" (38.1 mm)

HEIGHT: 2-13/64" (56.0 mm)



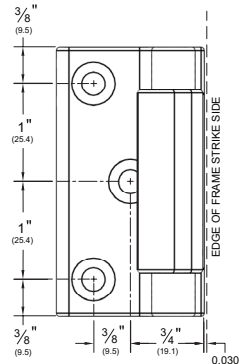
3 (Polished Brass)

4 (Satin Brass)

26 (Polished Chrome)

26D/15 (Satin Chrome/Nickel)

BSP (Black Suede Powder)



NOTE: Allow about .030" clearance from edge of frame.

TITLE:
PREPARED FOR:
PREPARED BY:
DATE:
COMMENTS: