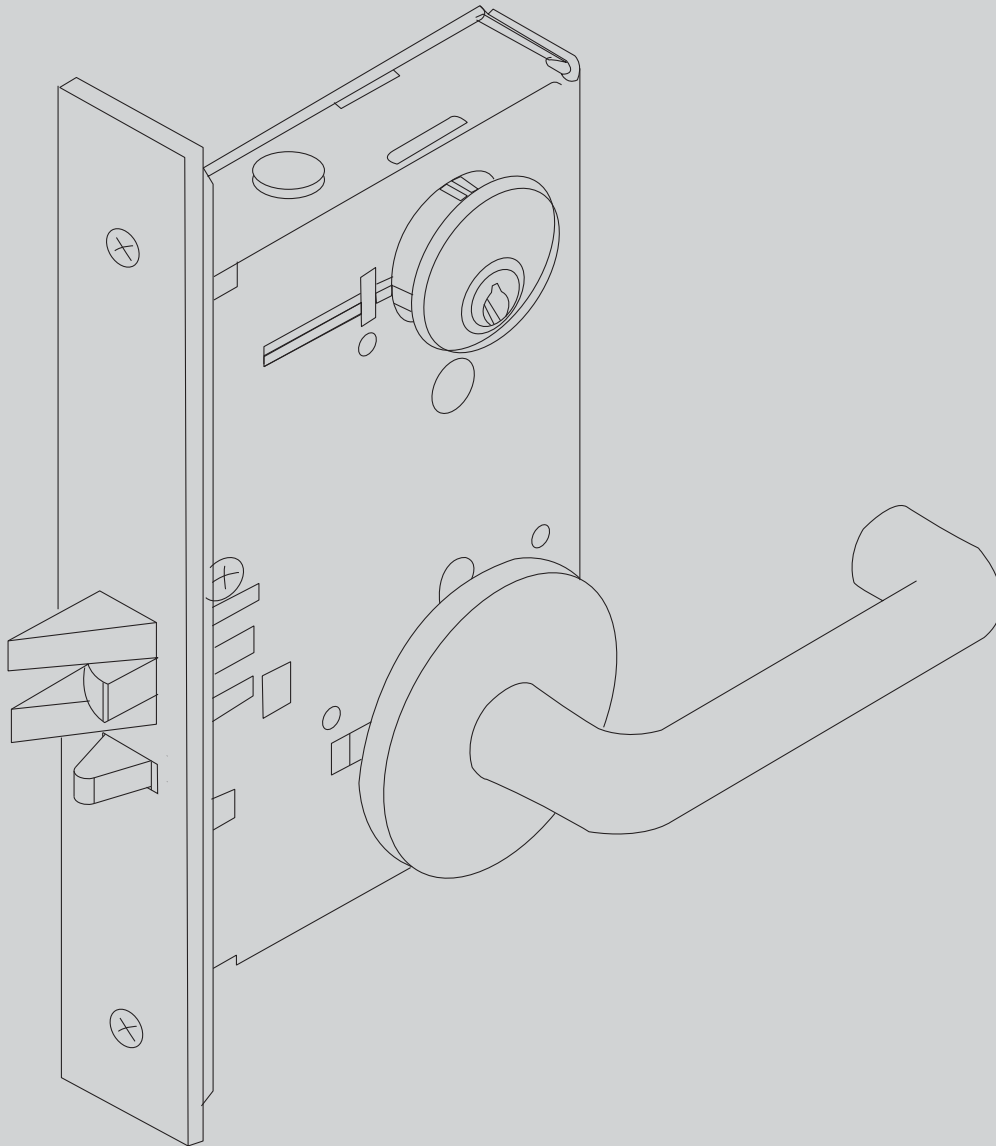


ML2000 Series

Mortise Lock Parts Manual



To order parts, use the appropriate Part Number and specify Finish (fin) as directed. For example, to order ten Toggle Levers for the ML2067 Function, use the following configuration:

Quantity	Part Number	Finish	Hand
10	461F01-8		

- In order to simplify the ordering procedure, parts are only available as listed.
- Refer to the installation instructions for complete installation.
- Limited warranty against defects in materials and workmanship under normal use and service. Corbin Russwin is not responsible for alterations or modifications made to our products by others. (See full limited warranty for further details.)
- For assistance, contact your authorized Corbin Russwin distributor or Corbin Russwin directly at the address on the back cover.

Lock Function Index	3
Deadlock Version Index	7
Deadlock Functions	8
Knob Version Index	12
FUNCTION DESCRIPTION	
Passage or Closet	14
Privacy, Bedroom or Bathroom (ANSI F02)	16
Store Door	16
Entrance or Storeroom	16
Hotel or Motel	18
Privacy, Bedroom or Bathroom (ANSI F19)	20
Dormitory, Entrance or Storeroom	20
Institution or Utility	22
Entrance or Public Restroom	24
Classroom	24
Entrance or Apartment	26
Entrance or Office	28
Storeroom or Closet	30
Privacy	32
Apartment or Dormitory	34
Institutional Privacy	36
Classroom Security	38
Lever Version Index	40
FUNCTION DESCRIPTION	
Passage or Closet	42
Privacy, Bedroom or Bathroom (ANSI F02)	44
Store Door	44
Entrance or Storeroom	44
Hotel or Motel	46
Privacy, Bedroom or Bathroom (ANSI F19)	48
Dormitory, Entrance or Storeroom	48
Institution or Utility	50
Entrance or Public Restroom	52
Classroom	52
Entrance or Apartment	54
Entrance or Office	56
Storeroom or Closet	58
Privacy	60
Apartment or Dormitory	62
Institutional Privacy	64
Classroom Security	66
Mortise Crossbar Exit Device Index	
DEVICE DESCRIPTION	
ED6600 Series	68
ED6600A Series	70
ED7600, ED7600A Series	72
Strikes	74
Lock Case Assembly Parts - Master List	75

Trim Index	81
Trim Components	82
DESCRIPTION	
Lever x Wrought Escutcheon	82
Wrought Knob x Wrought Escutcheon	82
Lever x Cast Escutcheon	83
Vandal Resistant Lever Trim	83
Cast Knob x Cast Escutcheon	84
Lever x Rose	84
Wrought Knob x Rose	85
Cast Knob x Rose	85
Half Trim -Lever x Escutcheon	86
Half Trim -Wrought Knob x Escutcheon	86
Half Trim -Cast Knob x Escutcheon	86
Half Trim -Lever x Rose	87
Half Trim -Wrought Knob x Rose	87
Half Trim -Cast Knob x Rose	87
Inside Levers & Outside Lever & Spindle Assemblies	88
Inside Knobs & Outside Knob & Spindle Assemblies	92
Escutcheons	94
Rose & Thimble Packets	101
Adapter Packets	102
Spindle Component Parts	105
Spindles	105
Screws & Screw Packets	106
Miscellaneous Parts	107
Cylinders	108
Cylinder Collars	108
ML2000 Hand Reversing Instructions	111

Deadlock Functions

ML2011 8
 ML2012 8
 ML2013, ML2013HS 8
 ML2017 10

Lockset Functions

	Knob	Lever
ML2010, ML2010HS, ML2010VR	14...	42
ML2020, ML2020HS, ML2020VR	16...	44
ML2022, ML2022HS, ML2022VR	16...	44
ML2024, ML2024HS, ML2024VR	16...	44
ML2029, ML2029HS, ML2029VR	18...	46
ML2030, ML2030HS, ML2030VR	20...	48
ML2032, ML2032HS, ML2032VR	22...	50
ML2042, ML2042HS, ML2042VR	24...	52
ML2048, ML2048HS, ML2048VR	26...	54
ML2051, ML2051HS, ML2051VR	28...	56
ML2055, ML2055HS, ML2055VR	24...	52
ML2057, ML2057HS, ML2057VR	30...	58
ML2060, ML2060VR	32...	60
ML2065, ML2065HS, ML2065VR	20...	48
ML2067, ML2067HS, ML2067VR	34...	62
ML2069, ML2069HS, ML2069VR	36...	64
ML2072, ML2072HS, ML2072VR	38...	66
ML2075, ML2075HS, ML2075VR	38...	66

Exit Device Functions

MLE03 68
 MLE04 68
 MLE05 68
 MLE06 70
 MLE07 70
 MLE08 72
 MLE09 72

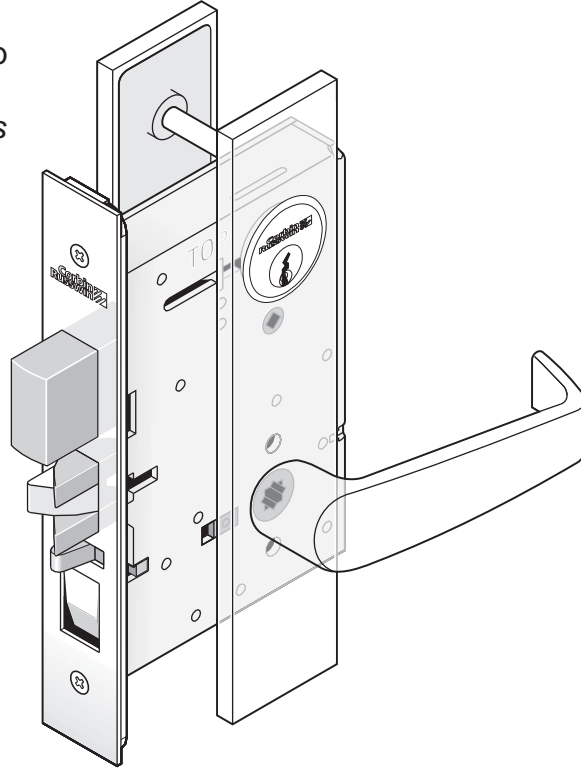


The Door Opens to New Compliance Requirements.

The *Americans With Disabilities Act* as signed into law on July 26, 1990. This federal law has far-reaching implications on the application of door hardware products.

As a manufacturer of a full line of life safety and security products, we want to help in the understanding of this law.

The summary below relates directly to the application and compliance of locksets as referenced in the *Americans With Disabilities Act*, which incorporates American National Standards Institute (ANSI) A117.1 specifications.



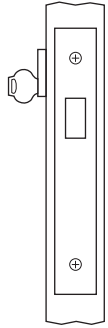
Summary of Requirements:

Locksets

“Handles, pulls, latches, locks and other operating devices on accessible doors shall have a shape that is easy to grasp with one hand and does not require tight grasping, tight pinching, or twisting of the wrist to operate. Lever-operated mechanisms, push-type mechanisms and U-shaped handles are acceptable designs.”

Mortise Lock Conversion Kit is available to convert knob x knob operation to lever x lever operation. See page 104.

The foregoing is only a summary of the applicable regulations and your attention is directed to the Federal Disabilities Act and ANSI A117.1 for complete details and regulations. Since the application of the Act depends on specific site circumstances, you should use this summary only as a general guide and be sure to review local and state standards which may contain additional or modified requirements. For further information contact the Architectural and Transportation Barriers Compliance Board.

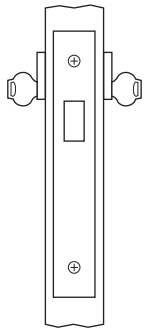


Deadbolt by Key Outside (No Inside Operation)

ANSI F18

Page 8

	For 1-3/4" Min. Doors		For 1-3/8" Doors	
Type	Standard	Master Ring	1" Front	High Security
Function	ML2011	MR Option	D138 Option	-----

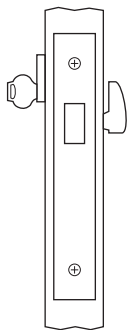


Deadbolt by Key Either Side

ANSI F16

Page 8

	For 1-3/4" Min. Doors		For 1-3/8" Doors	
Type	Standard	Master Ring	1" Front	High Security
Function	ML2012	MR Option	D138 Option	-----

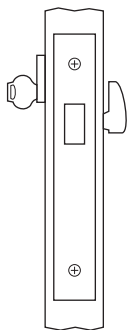


Deadbolt by Key Outside or by Thumbturn Lever Inside

ANSI F17

Page 8

	For 1-3/4" Min. Doors		For 1-3/8" Doors	
Type	Standard	Master Ring	1" Front	High Security
Function	ML2013	MR Option	D138 Option	ML2013HS



Deadbolt by Key Outside / Thumbturn Lever Inside Retracts Deadbolt Only (Will Not Project Deadbolt)

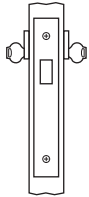
Page 10

	For 1-3/4" Min. Doors		For 1-3/8" Doors	
Type	Standard	Master Ring	1" Front	High Security
Function	ML2017	-----	D138 Option	-----



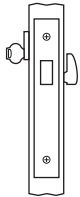
Deadbolt by key outside. No inside operation.

	For 1-3/4" Min. Doors		For 1-3/8" Doors
Type	Standard	Master Ring	1" Front
Function	ML2011	-----	D138 Option



Deadbolt by key either side.

	For 1-3/4" Min. Doors		For 1-3/8" Doors
Type	Standard	Master Ring	1" Front
Function	ML2012	MR Option	D138 Option



Deadbolt by key outside or by thumbturn lever inside.

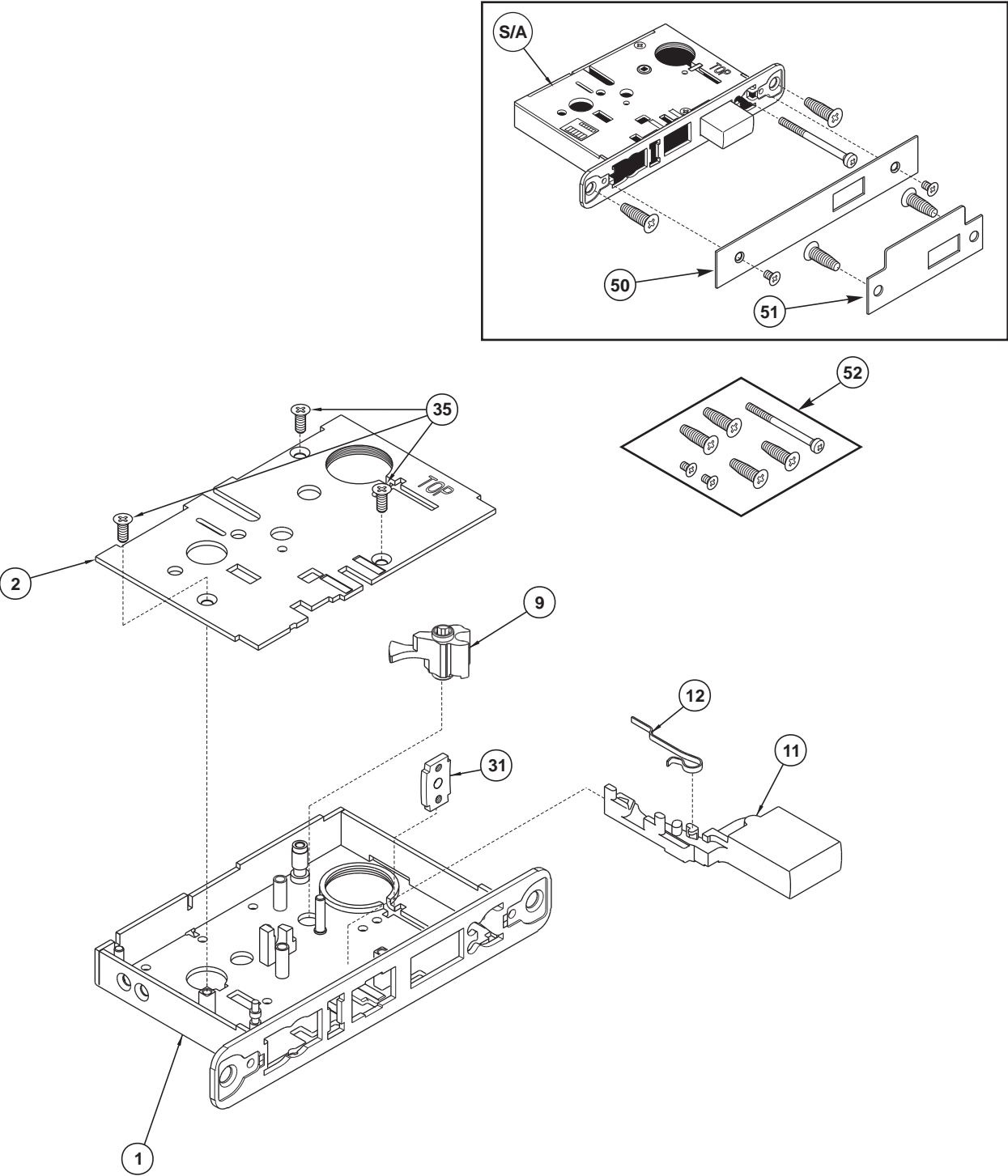
	For 1-3/4" Min. Doors			For 1-3/8" Doors
Type	Standard	Master Ring	High Security	1" Front
Function	ML2013	MR Option	ML2013HS	D138 Option

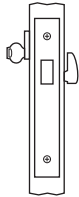
ITEM	PART NO.	DESCRIPTION
S/A		Deadlock Body (No Cylinder or Trim) for Standard D138 Option MR Option High Security
	701F06-8* 701F16-8 711F06-8 792F06-8	
1	687F53-8* 687F54-8 687F58-8	Case & Front Sub Assembly for Standard D138 Option MR Option
2	700F27-8* 701F57-8	Cap, Case for Standard MR Option
9	700F23-5 700F31-5	Hub, Turnpiece for Standard MR Option
11	702F98-7	Deadbolt
12	701F22-8**	Spring, Deadbolt
31	402F73-8*	Bracket, Cylinder Set Screw

ITEM	PART NO.	DESCRIPTION
35	684F18-8**	Screw, FHUM-PH-TITE #8-32 x 3/8"
50	<i>Specify Finish</i> 079F00 079F02	Armored Front for Standard & High Security D138 Option
51	236L74 018	Std. Strike (See page 74 for options)
52	<i>Specify Finish</i> 429F41 488F09 465F57 616F12 488F08-8 488F10-8	Mortise Lock Mounting Packet for Standard MR Option High Security (M04) MR x M04 (See page 106 for packet descriptions) NOTE: For double cylinder functions an additional cylinder set screw is required. Cylinder Set Screw for Standard MR Option

*For M26 Option, replace suffix "-8" with "-2".

**For M26 Option, replace suffix "-8" with "-7".





Deadbolt by key outside. Thumbturn lever inside retracts deadbolt only; will not project deadbolt.

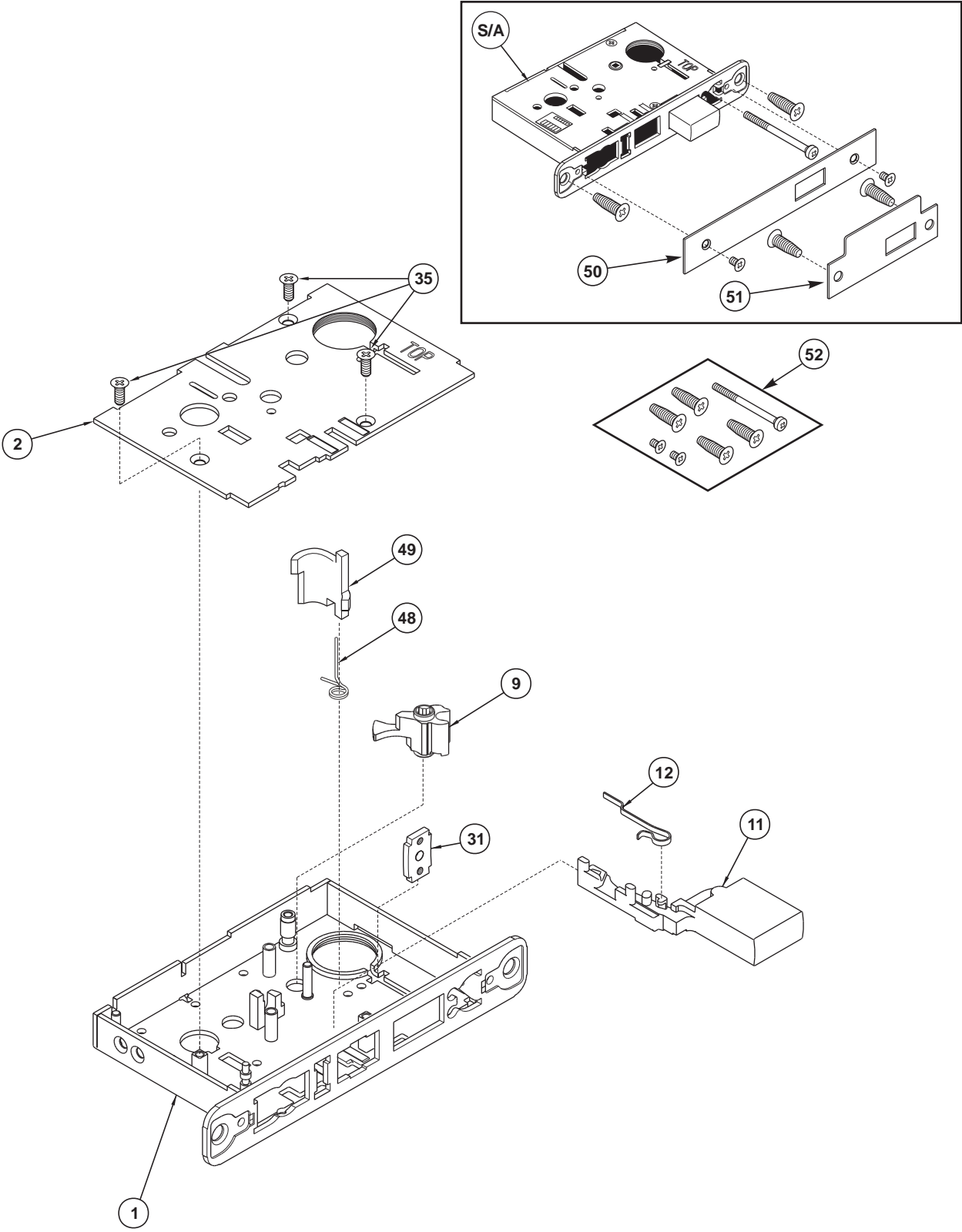
	For 1-3/4" Min. Doors		For 1-3/8" Doors
Type	Standard	Master Ring	1" Front
Function	ML2017	-----	D138 Option

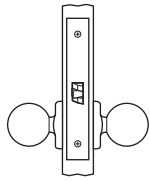
ITEM	PART NO.	DESCRIPTION
S/A	701F26-8* 701F36-8	Deadlock Body (No Cylinder or Thumbturn) for Standard D138 Option
1	687F53-8* 687F54-8	Case & Front Sub Assembly for Standard D138 Option
2	700F27-8*	Cap, Case
9	700F23-5	Hub, Turnpiece
11	702F98-7	Deadbolt
12	701F22-8**	Spring, Deadbolt
31	402F73-8*	Bracket, Cylinder Set Screw
35	684F18-8**	Screw, FHUM-PH-TITE #8-32 x 3/8"

ITEM	PART NO.	DESCRIPTION
48	403F56-8*	Spring, Locking Lever
49	403F66-8	Lever, Locking
50	<i>Specify Finish</i> 079F00 079F02	Armored Front for Standard D138 Option
51	236L74 018	Std. Strike (See page 74 for options)
52	<i>Specify Finish</i> 429F41 465F57	Mortise Lock Mounting Packet for Standard M04 (See page 106 for packet descriptions)

*For M26 Option, replace suffix "-8" with "-2".

**For M26 Option, replace suffix "-8" with "-7".



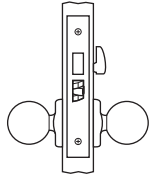


Passage or Closet

ANSI F01

Page 14

	For 1-3/4" Min. Doors		For 1-3/8" Doors	
Type	Standard	Master Ring	1" Front	High Security
Function	ML2010	-----	D138 Option	ML2010HS

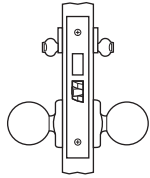


Privacy, Bedroom or Bathroom

ANSI F02

Page 16

	For 1-3/4" Min. Doors		For 1-3/8" Doors	
Type	Standard	Master Ring	1" Front	High Security
Function	ML2020	-----	D138 Option	ML2020HS

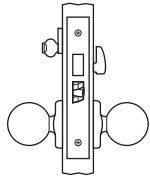


Store Door

ANSI F14

Page 16

	For 1-3/4" Min. Doors		For 1-3/8" Doors	
Type	Standard	Master Ring	1" Front	High Security
Function	ML2022	MR Option	D138 Option	ML2022HS

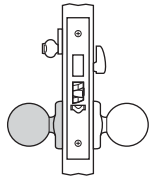


Entrance or Storeroom

ANSI F21

Page 16

	For 1-3/4" Min. Doors		For 1-3/8" Doors	
Type	Standard	Master Ring	1" Front	High Security
Function	ML2024	MR Option	D138 Option	ML2024HS

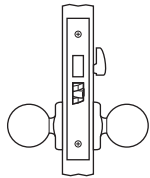


Hotel or Motel

ANSI F15

Page 18

	For 1-3/4" Min. Doors		For 1-3/8" Doors	
Type	Standard	Master Ring	1" Front	High Security
Function	ML2029	-----	D138 Option	ML2029HS

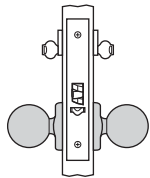


Privacy, Bedroom or Bathroom

ANSI F19

Page 20

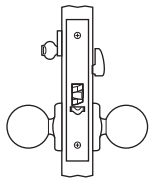
	For 1-3/4" Min. Doors		For 1-3/8" Doors	
Type	Standard	Master Ring	1" Front	High Security
Function	ML2030	-----	D138 Option	ML2030HS



Institution or Utility

Page 22

	For 1-3/4" Min. Doors		For 1-3/8" Doors	
Type	Standard	Master Ring	1" Front	High Security
Function	ML2032	-----	D138 Option	ML2032HS

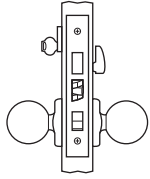


Entrance or Public Restroom

ANSI F09

Page 24

	For 1-3/4" Min. Doors		For 1-3/8" Doors	
Type	Standard	Master Ring	1" Front	High Security
Function	ML2042	MR Option	D138 Option	ML2042HS



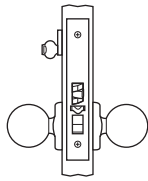
Entrance or Apartment

ANSI F10

Page 26

	For 1-3/4" Min. Doors		For 1-3/8" Doors	
Type	Standard	Master Ring	1" Front	High Security
Function	ML2048	MR Option	D138 Option	ML2048HS

■ Indicates rigid knob

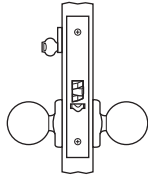


Entrance or Office

ANSI F04

Page 28

	For 1-3/4" Min. Doors		For 1-3/8" Doors	
Type	Standard	Master Ring	1" Front	High Security
Function	ML2051	MR Option	D138 Option	ML2051HS

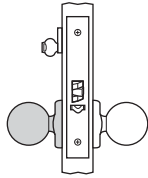


Classroom

ANSI F05

Page 24

	For 1-3/4" Min. Doors		For 1-3/8" Doors	
Type	Standard	Master Ring	1" Front	High Security
Function	ML2055	MR Option	D138 Option	ML2055HS

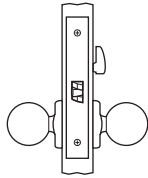


Storeroom or Closet

ANSI F07

Page 30

	For 1-3/4" Min. Doors		For 1-3/8" Doors	
Type	Standard	Master Ring	1" Front	High Security
Function	ML2057	MR Option	D138 Option	ML2057HS

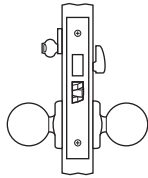


Privacy

ANSI F22

Page 32

	For 1-3/4" Min. Doors		For 1-3/8" Doors	
Type	Standard	Master Ring	1" Front	
Function	ML2060	-----	D138 Option	

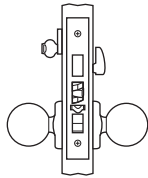


Dormitory, Entrance or Storeroom

ANSI F13

Page 20

	For 1-3/4" Min. Doors		For 1-3/8" Doors	
Type	Standard	Master Ring	1" Front	High Security
Function	ML2065	MR Option	D138 Option	ML2065HS

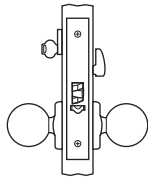


Apartment or Dormitory

ANSI F20

Page 34

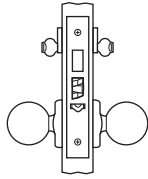
	For 1-3/4" Min. Doors		For 1-3/8" Doors	
Type	Standard	Master Ring	1" Front	High Security
Function	ML2067	MR Option	D138 Option	ML2067HS



Institutional Privacy

Page 36

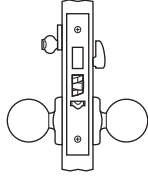
	For 1-3/4" Min. Doors		For 1-3/8" Doors	
Type	Standard	Master Ring	1" Front	High Security
Function	ML2069	-----	D138 Option	ML2069HS



Classroom Security

Page 38

	For 1-3/4" Min. Doors		For 1-3/8" Doors	
Type	Standard	Master Ring	1" Front	High Security
Function	ML2072	MR Option	D138 Option	ML2072HS



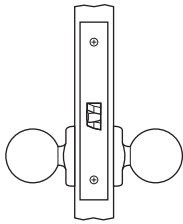
Classroom Security

Page 38

	For 1-3/4" Min. Doors		For 1-3/8" Doors	
Type	Standard	Master Ring	1" Front	High Security
Function	ML2075	MR Option	D138 Option	ML2075HS

■ Indicates rigid knob

Passage or Closet



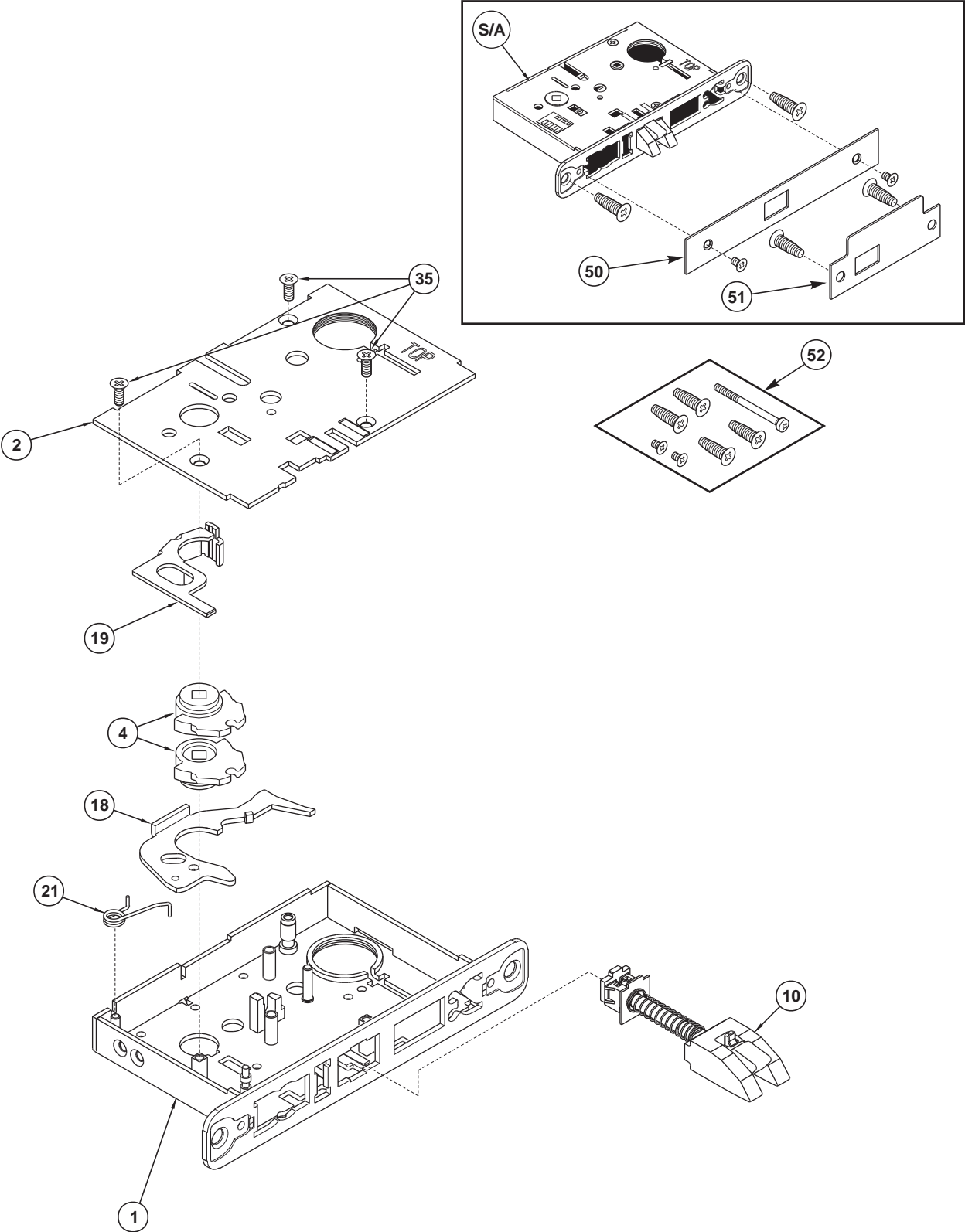
	For 1-3/4" Min. Doors			For 1-3/8" Doors
Type	Standard	Master Ring	High Security	1" Front
Function	ML2010	-----	ML2010HS	D138 Option

ITEM	PART NO.	DESCRIPTION
S/A	701F10-8* 792F20-8 792F10-8	Knob Lock Body (No Cylinder or Trim) for Standard D138 Option High Security
1	687F53-8* 687F54-8 792F10-8	Case & Front Sub Assembly for Standard D138 Option High Security
2	700F27-8*	Cap, Case
4	684F14-7 683F33-7	Hub, Knob Standard High Security
10	688F17-7	Latchbolt Sub Assembly
18	681F37-8*	Lever, Hub
19	688F03-8**	Retractor

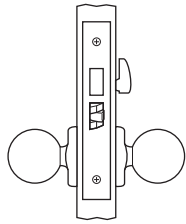
ITEM	PART NO.	DESCRIPTION
21	565F04-8**	Spring, Hub Lever
35	684F18-8**	Screw, FHUM-PH-TITE #8-32 x 3/8"
50	<i>Specify Finish</i> 423F55 423F58	Armored Front for Standard D138 Option
51	236L73 018	Std. Strike (See page 74 for options)
52	<i>Specify Finish</i> 429F41 465F57	Mortise Lock Mounting Packet for Standard High Security (M04) (See page 106 for packet descriptions)

*For M26 Option, replace suffix "-8" with "-2".
 **For M26 Option, replace suffix "-8" with "-7".

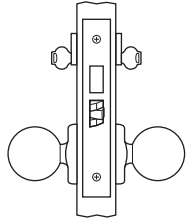
Passage or Closet



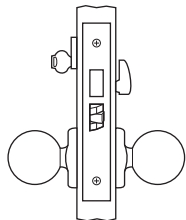
**Privacy, Bedroom or Bathroom
Store Door, Entrance or Storeroom**



	For 1-3/4" Min. Doors			For 1-3/8" Doors
Type	Standard	Master Ring	High Security	1" Front
Function	ML2020	-----	ML2020HS	D138 Option



	For 1-3/4" Min. Doors			For 1-3/8" Doors
Type	Standard	Master Ring	High Security	1" Front
Function	ML2022	MR Option	ML2022HS	D138 Option



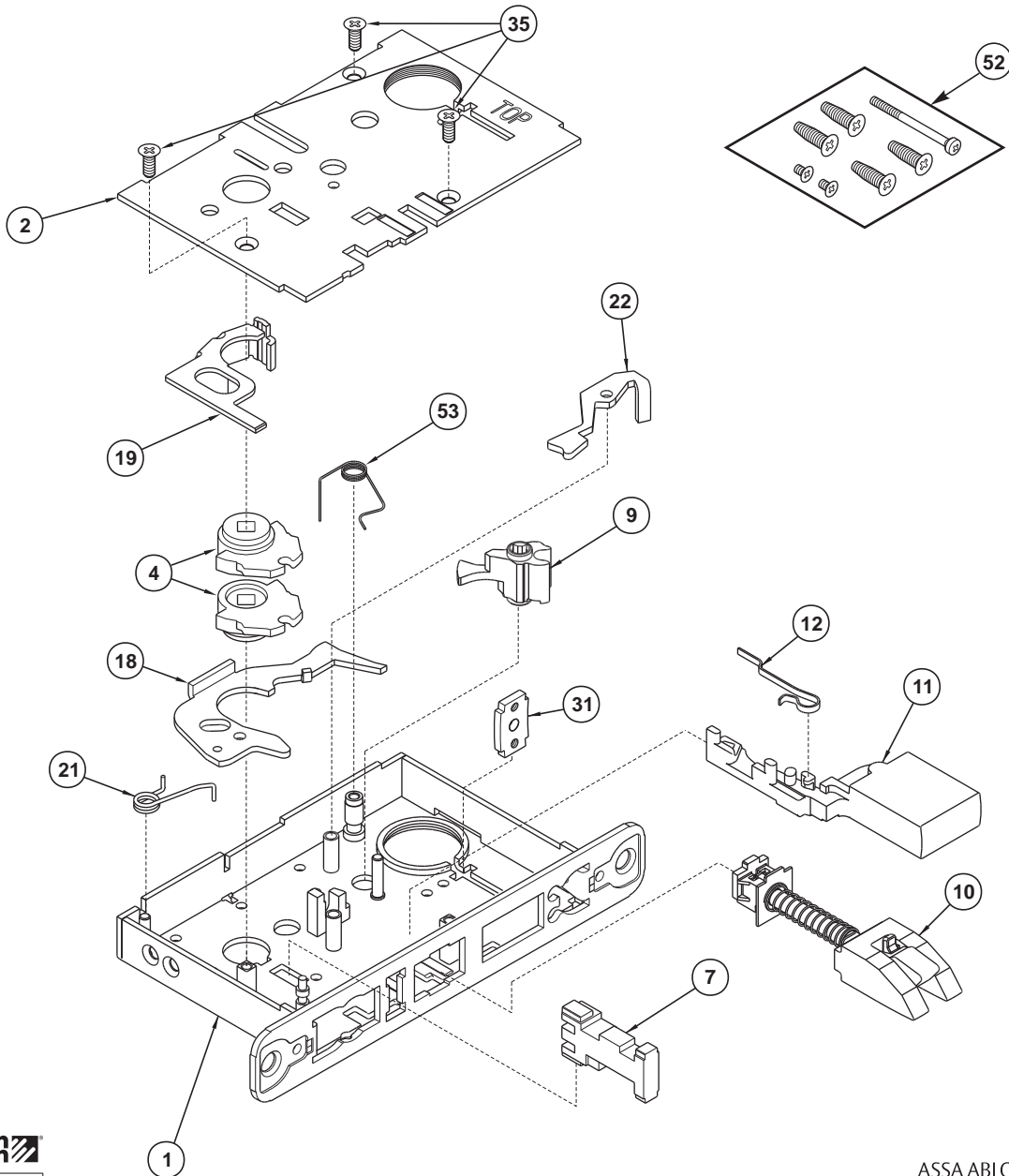
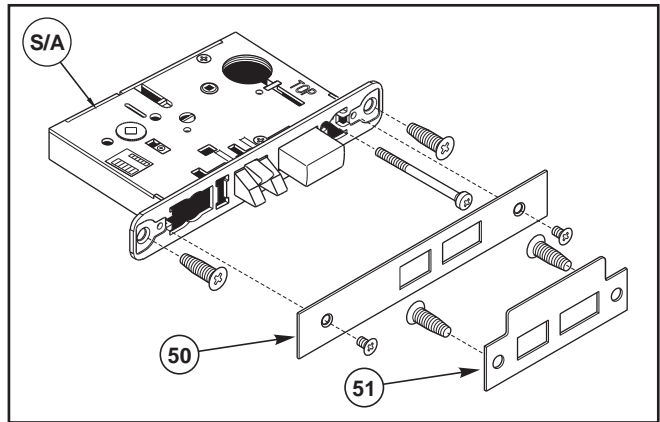
	For 1-3/4" Min. Doors			For 1-3/8" Doors
Type	Standard	Master Ring	High Security	1" Front
Function	ML2024	MR Option	ML2024HS	D138 Option

ITEM	PART NO.	DESCRIPTION
S/A	701F05-8* 701F15-8* 711F05-8 792F05-8	Knob Lock Body (No Cylinder or Trim) for Standard D138 Option MR Option High Security
1	687F53-8* 687F54-8 687F58-8	Case & Front Sub Assembly for Standard D138 Option MR Option
2	700F27-8* 701F57-8	Cap, Case for Standard MR Option
4	684F14-7 683F33-7	Hub, Knob Standard High Security
7	684F05-5	Stop
9	700F23-5 700F31-5	Hub, Turnpiece for Standard MR Option
10	688F17-7	Latchbolt Sub Assembly

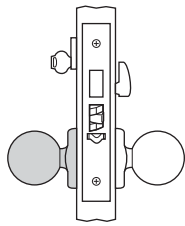
ITEM	PART NO.	DESCRIPTION
11	702F98-7	Deadbolt
12	701F22-8**	Spring, Deadbolt
18	681F37-8*	Lever, Hub
19	688F03-8**	Retractor
21	565F04-8**	Spring, Hub Lever
22	688F14-8*	Lever, Cylinder Latch
31	402F73-8*	Bracket, Cylinder Set Screw
35	684F18-8**	Screw, FHUM-PH-TITE #8-32 x 3/8"
50	<i>Specify Finish</i> 423F54 423F57	Armored Front for Standard D138 Option

Privacy, Bedroom or Bathroom Store Door, Entrance or Storeroom

ITEM	PART NO.	DESCRIPTION
51	236L72 018	Std. Strike (See page 74 for options)
52	<i>Specify Finish</i> 429F41 488F09 465F57 616F12	Mortise Lock Mounting Packet for Standard MR Option High Security(M04) MR & M04 (See page 106 for packet descriptions) NOTE: For double cylinder functions an additional cylinder set screw is required. Cylinder Set Screw for Standard MR Option
53	700F95-7	Spring, Latch Lever



Hotel or Motel



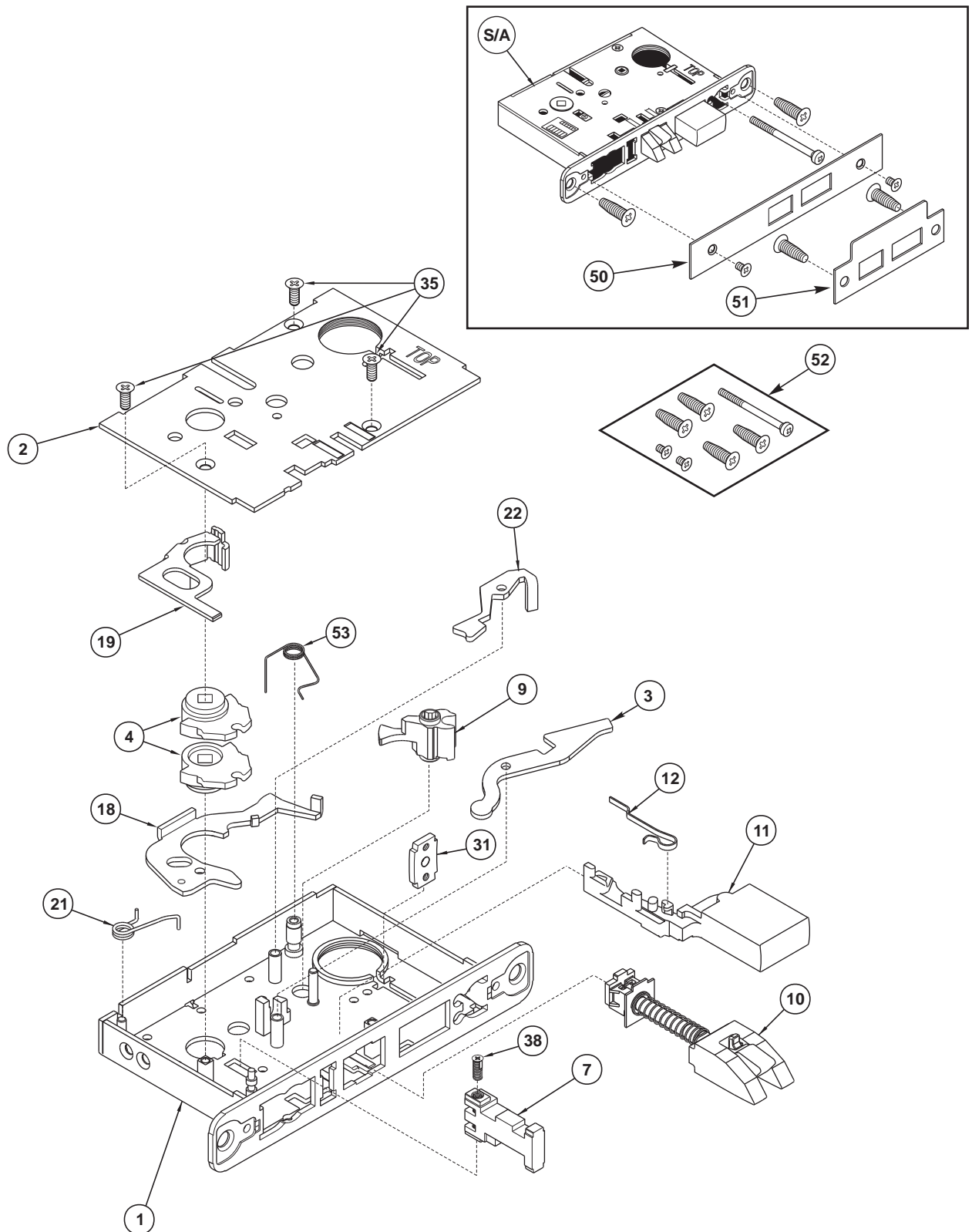
	For 1-3/4" Min. Doors			For 1-3/8" Doors
Type	Standard	Master Ring	High Security	1" Front
Function	ML2029	-----	ML2029HS	D138 Option

ITEM	PART NO.	DESCRIPTION
S/A	701F03-8* 701F13-8* 792F03-8	Knob Lock Body (No Cylinder or Trim) for Standard D138 Option High Security
1	687F53-8* 687F54-8	Case & Front Sub Assembly for Standard D138 Option
2	700F27-8*	Cap, Case
4	684F14-7 683F33-7	Hub, Knob Standard High Security
7	684F05-5	Stop
8	684F55-9	Stop, Fixed
9	700F23-5	Hub, Turnpiece
10	688F17-7	Latchbolt Sub Assembly
11	702F98-7	Deadbolt
12	701F22-8**	Spring, Deadbolt
13	624F48-8*	Lever, Deadlocking
14	700F90-7	Spring, Deadlocking Lever
15	403F67-7	Latch, Auxiliary
16	678F54-8*	Lever, Auxiliary

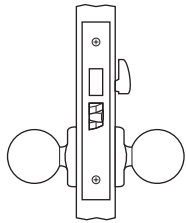
ITEM	PART NO.	DESCRIPTION
17	678F67-7	Spring, Auxiliary Lever
18	681F36-8*	Lever, Hub
19	688F03-8**	Retractor
21	565F04-8**	Spring, Hub Lever
22	688F14-8*	Lever, Cylinder Latch
24	436F17-7	Ring, Retaining
31	402F73-8*	Bracket, Cylinder Set Screw
35	684F18-8**	Screw, FHUM-PH-TITE #8-32 x 3/8"
38	684F06-7	Screw, Stop
50	<i>Specify Finish</i> 402F30 402F34	Armored Front for Standard D138 Option
51	236L72 018	Std. Strike (See page 74 for options)
52	<i>Specify Finish</i> 429F41 465F57	Mortise Lock Mounting Packet for Standard High Security (M04) (See page 106 for packet descriptions)
53	700F95-7	Spring, Latch Lever

*For M26 Option, replace suffix "-8" with "-2".
 **For M26 Option, replace suffix "-8" with "-7".

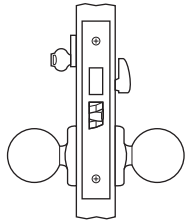
Hotel or Motel



**Privacy, Bedroom or Bathroom
Dormitory, Entrance or Storeroom**



	For 1-3/4" Min. Doors			For 1-3/8" Doors
Type	Standard	Master Ring	High Security	1" Front
Function	ML2030	-----	ML2030HS	D138 Option



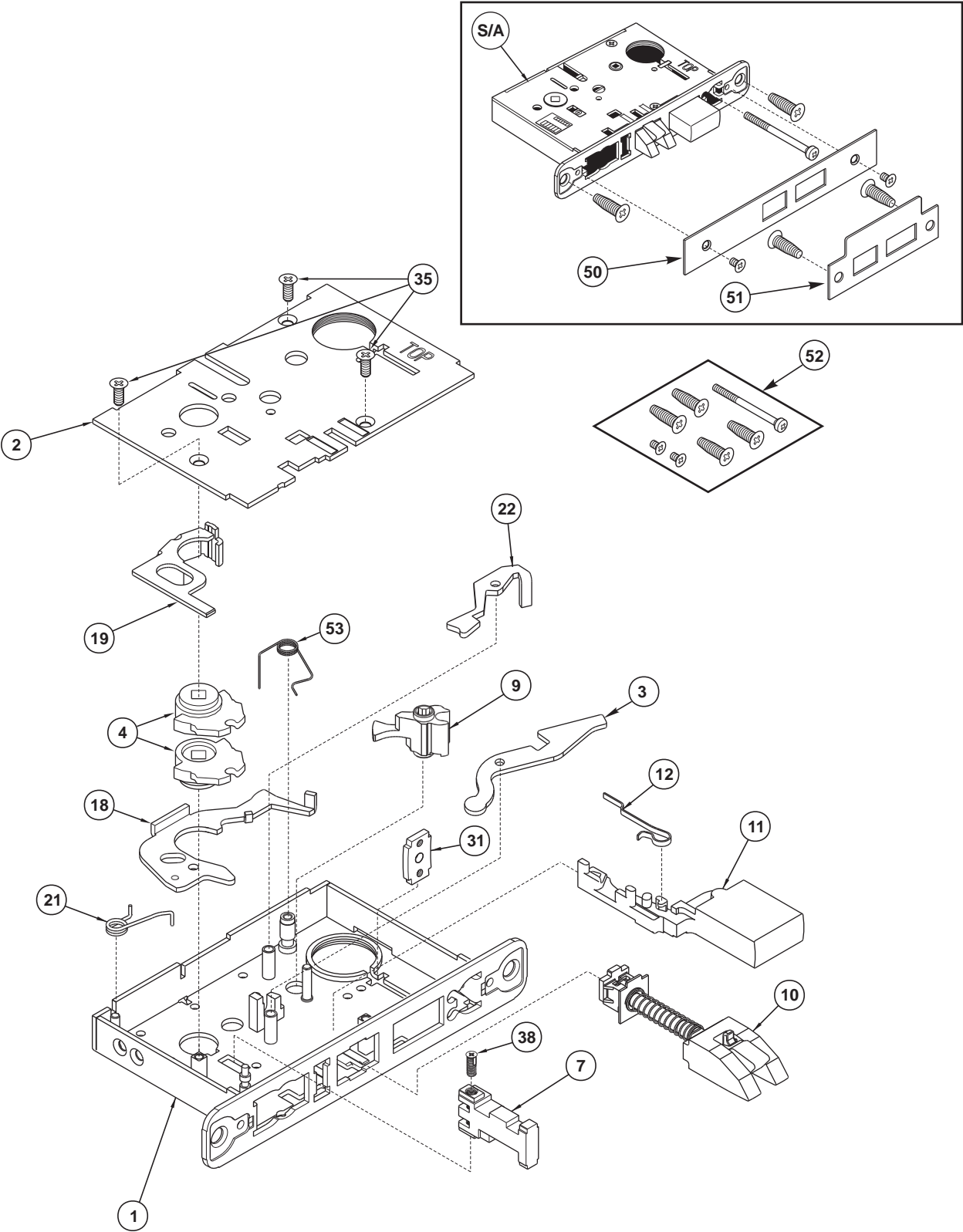
	For 1-3/4" Min. Doors			For 1-3/8" Doors
Type	Standard	Master Ring	High Security	1" Front
Function	ML2065	MR Option	ML2065HS	D138 Option

ITEM	PART NO.	DESCRIPTION
S/A	701F02-8* 701F12-8* 711F02-8 792F02-8	Knob Lock Body (No Cylinder or Trim) for Standard D138 Option MR Option High Security
1	687F53-8* 687F54-8 687F58-8	Case & Front Sub Assembly for Standard D138 Option MR Option
2	700F27-8* 701F57-8	Cap, Case for Standard MR Option
3	700F70-8*	Lever, Stop
4	684F14-7 683F33-7	Hub, Knob Standard High Security
7	684F05-5	Stop
9	700F23-5 700F31-5	Hub, Turnpiece for Standard MR Option
10	688F17-7	Latchbolt Sub Assembly
11	702F98-7	Deadbolt

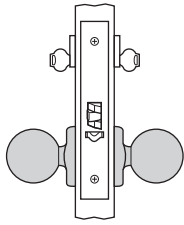
ITEM	PART NO.	DESCRIPTION
12	701F22-8**	Spring, Deadbolt
18	681F36-8*	Lever, Hub
19	688F03-8**	Retractor
21	565F04-8**	Spring, Hub Lever
22	688F14-8*	Lever, Cylinder Latch
31	402F73-8*	Bracket, Cylinder Set Screw
35	684F18-8**	Screw, FHUM-PH-TITE #8-32 x 3/8"
38	684F06-7	Screw, Stop
50	<i>Specify Finish</i> 423F54 402F57	Armored Front for Standard D138 Option
51	236L72 018	Std. Strike (See page 74 for options)
52	<i>Specify Finish</i> 429F41 488F09 465F57 616F12	Mortise Lock Mounting Packet for Standard MR Option High Security (M04) MR x M04 (See page 106 for packet descriptions)
53	700F95-7	Spring, Latch Lever

*For M26 Option, replace suffix "-8" with "-2".
**For M26 Option, replace suffix "-8" with "-7".

Privacy, Bedroom or Bathroom
Dormitory, Entrance or Storeroom



Institution or Utility

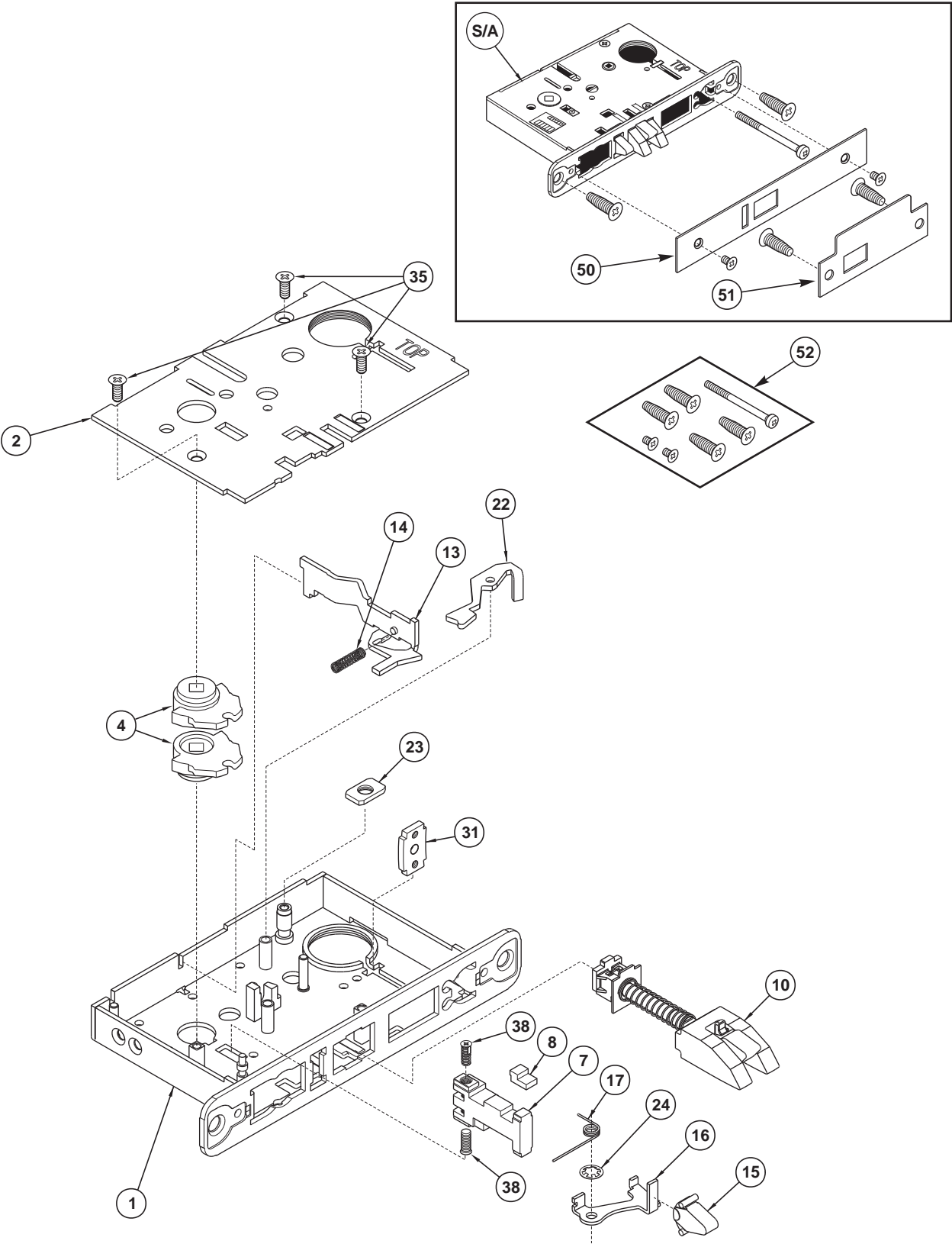


	For 1-3/4" Min. Doors			For 1-3/8" Doors
Type	Standard	Master Ring	High Security	1" Front
Function	ML2032	MR Option	ML2032HS	D138 Option

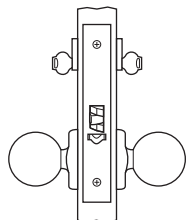
ITEM	PART NO.	DESCRIPTION	ITEM	PART NO.	DESCRIPTION
S/A	701F29-8* 701F39-8* 711F29-8* 792F29-8	Knob Lock Body (No Cylinder or Trim) for Standard D138 Option MR Option High Security	22	688F14-8*	Lever, Cylinder Latch
1	687F53-8* 687F54-8 687F58-8	Case & Front Sub Assembly for Standard D138 Option MR Option	23	681F48-9	Stop, Cylinder Latch Lever
2	700F27-8* 701F57-8	Cap, Case for Standard MR Option	24	436F17-7	Ring, Retaining
4	684F14-7 683F33-7	Hub, Knob Standard High Security	31	402F73-8*	Bracket, Cylinder Set Screw
7	684F05-5	Stop	35	684F18-8**	Screw, FHUM-PH-TITE #8-32 x 3/8"
8	684F55-9	Stop, Fixed	38	684F06-7	Screw, Stop
10	688F17-7	Latchbolt Sub Assembly	50	<i>Specify Finish</i> 624F49 624F53	Armored Front for Standard D138 Option
13	624F48-8*	Lever, Deadlocking	51	236L73 018	Std. Strike (See page 74 for options)
14	700F90-7	Spring, Deadlocking Lever	52	<i>Specify Finish</i> 429F41 488F09 465F57 616F12	Mortise Lock Mounting Packet for Standard MR Option High Security (M04) MR x M04 (See page 106 for packet descriptions) NOTE: For double cylinder functions an additional cylinder set screw is required. Cylinder Set Screw for
15	403F67-7	Latch, Auxiliary	488F08-8		Standard
16	678F54-8*	Lever, Auxiliary	488F10-8		MR Option
17	678F67-7	Spring, Auxiliary Lever			

*For M26 Option, replace suffix "-8" with "-2".
 **For M26 Option, replace suffix "-8" with "-7".

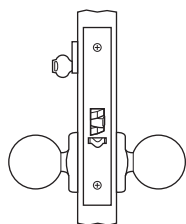
Institution or Utility



Entrance or Public Restroom Classroom



	For 1-3/4" Min. Doors			For 1-3/8" Doors
Type	Standard	Master Ring	High Security	1" Front
Function	ML2042	MR Option	ML2042HS	D138 Option



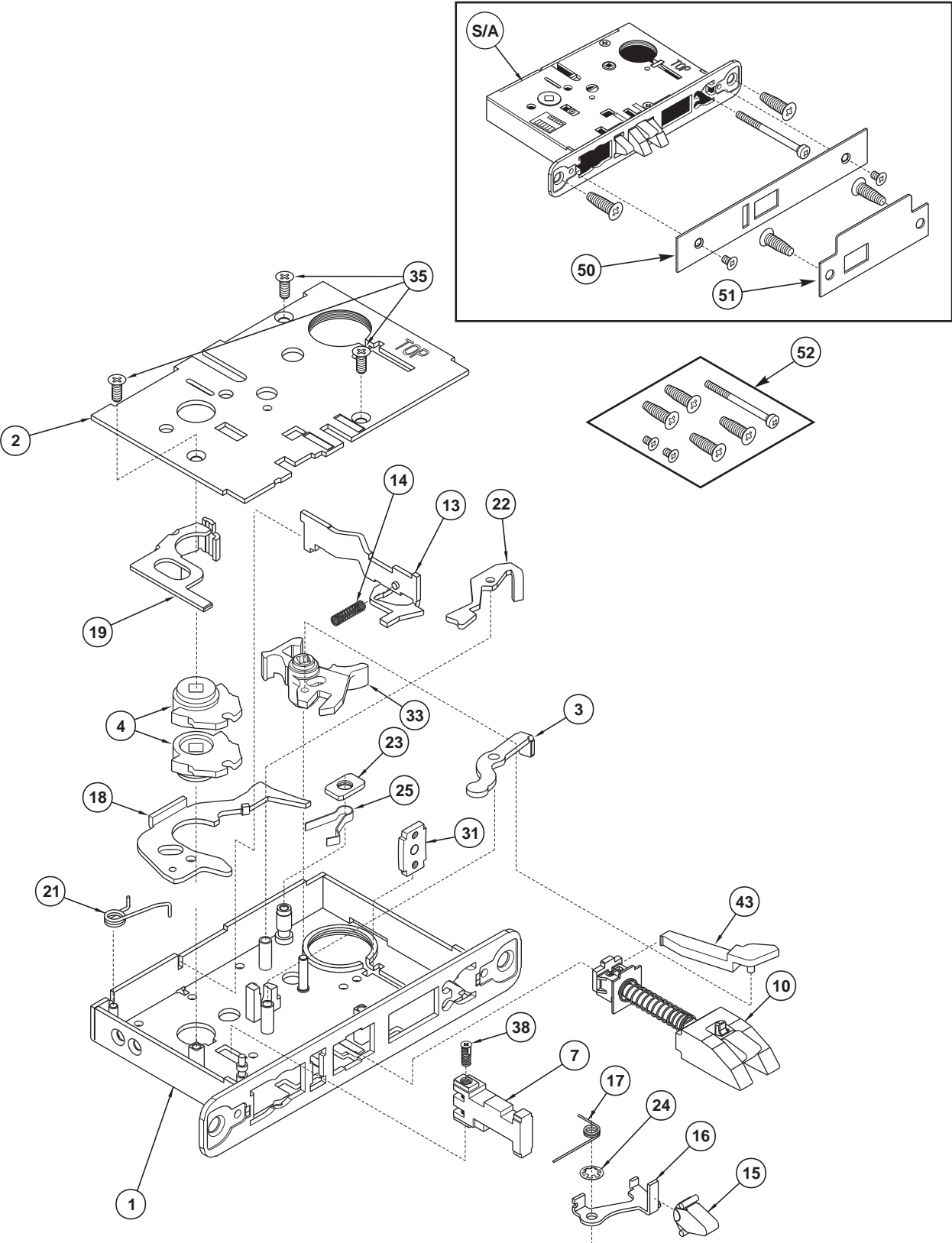
	For 1-3/4" Min. Doors			For 1-3/8" Doors
Type	Standard	Master Ring	High Security	1" Front
Function	ML2055	MR Option	ML2055HS	D138 Option

ITEM	PART NO.	DESCRIPTION
S/A		Knob Lock Body (No Cylinder or Trim) for Standard 701F08-8* D138 Option 701F18-8* MR Option 711F08-8* High Security 792F08-8 Latch Hold Back 780F08-8 LHB x D138 780F18-8
1	687F53-8* 687F54-8* 687F58-8*	Case & Front Sub Assembly for Standard D138 Option MR Option
2	700F27-8* 701F57-8*	Cap, Case for Standard MR Option
3	681F44-8*	Lever, Stop
4	684F14-7 683F33-7	Hub, Knob Standard High Security
7	684F05-5	Stop
10	688F17-7	Latchbolt Sub Assembly
13	624F48-8*	Lever, Deadlocking
14	700F90-7	Spring, Deadlocking Lever
15	403F67-7	Latch, Auxiliary
16	678F54-8*	Lever, Auxiliary
17	678F67-7	Spring, Auxiliary Lever
18	681F37-8*	Lever, Hub
19	688F03-8**	Retractor

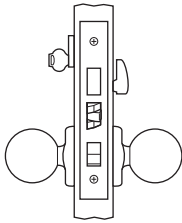
ITEM	PART NO.	DESCRIPTION
21	565F04-8**	Spring, Hub Lever
22	688F14-8*	Lever, Cylinder Latch
23	681F48-9	Stop, Cylinder Latch Lever
24	436F17-7	Ring, Retaining
25	685F38-7	Spring, Stop
31	402F73-8*	Bracket, Cylinder Set Screw
33	701F70-5	Lever, Stop Cylinder
35	684F18-8**	Screw, FHUM-PH-TITE #8-32 x 3/8"
38	684F06-7	Screw, Stop
43	681F07-5***	Lever, Hold Back
50	<i>Specify Finish</i> 624F49 624F53 681F34 681F35	Armored Front for Standard D138 Option LHB LHB & D138
51	236L73 018	Strike (See page 74 for options)
52	<i>Specify Finish</i> 429F41 488F09 465F57 616F12 488F08-8 488F10-8	Mortise Lock Mounting Packet for Standard MR Option High Security (M04) MR & M04 (See page 106 for packet descriptions) NOTE: For double cylinder functions an additional cylinder set screw is required. Cylinder Set Screw for Standard & High Security MR Option

*For M26 Option, replace suffix "-8" with "-2".
 **For M26 Option, replace suffix "-8" with "-7".
 ***For LHB Option.

Entrance or Public Restroom
Classroom



Entrance or Apartment



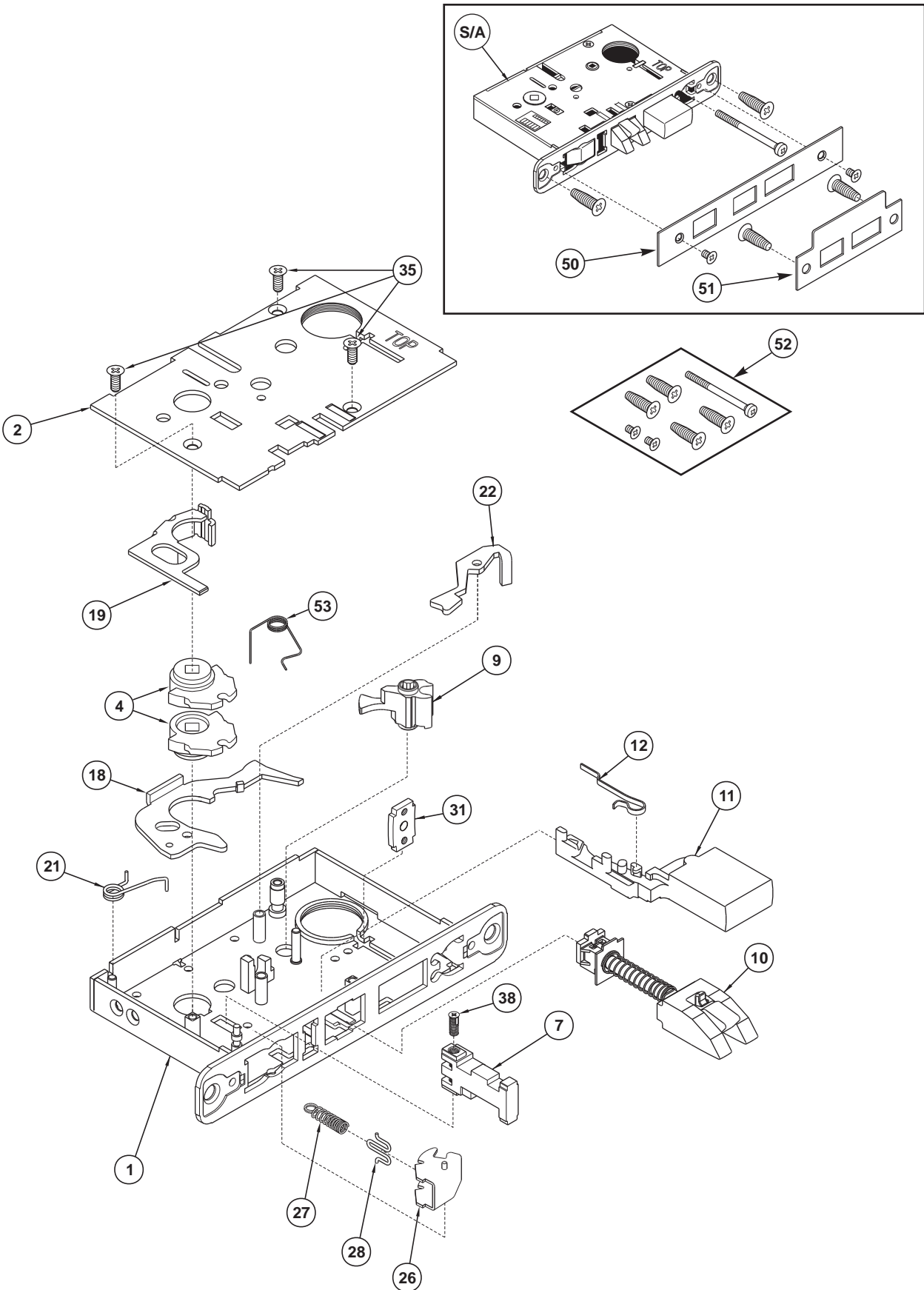
	For 1-3/4" Min. Doors			For 1-3/8" Doors
Type	Standard	Master Ring	High Security	1" Front
Function	ML2048	MR Option	ML2048HS	D138 Option

ITEM	PART NO.	DESCRIPTION
S/A	701F04-8* 701F14-8* 711F04-8* 792F04-8	Knob Lock Body (No Cylinder or Trim) for Standard D138 Option MR Option High Security
1	687F53-8* 687F54-8 687F58-8*	Case & Front Sub Assembly for Standard and High Security D138 Option MR Option
2	700F27-8* 701F57-8*	Cap, Case for Standard MR Option
4	684F14-7 683F33-7	Hub, Knob Standard High Security
7	684F05-5	Stop
9	700F23-5 700F31-5	Hub, Turnpiece for Standard MR Option
10	688F17-7	Latchbolt Sub Assembly
11	702F98-7	Deadbolt
12	701F22-8**	Spring, Deadbolt
18	681F37-8*	Lever, Hub

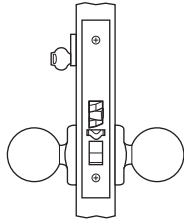
ITEM	PART NO.	DESCRIPTION
19	688F03-8**	Retractor
21	565F04-8**	Spring, Hub Lever
22	688F14-8*	Lever, Cylinder Latch
26	461F01-2	Toggle Sub Assembly
27	402F63-7	Spring, Toggle
28	402F61-7	Spring, Seat
31	402F73-8*	Bracket, Cylinder Set Screw
35	684F18-8**	Screw, FHUM-PH-TITE #8-32 x 3/8"
38	684F06-7	Screw, Stop
50	<i>Specify Finish</i> 402F31 402F35	Armored Front for Standard D138 Option
51	236L72 018	Std. Strike (See page 74 for options)
52	<i>Specify Finish</i> 429F41 488F09 465F57 616F12	Mortise Lock Mounting Packet for Standard MR Option High Security (M04) MR x M04 (See page 106 for packet descriptions)
53	700F95-7	Spring, Latch Lever

*For M26 Option, replace suffix "-8" with "-2".
 **For M26 Option, replace suffix "-8" with "-7".

Entrance or Apartment



Entrance or Office



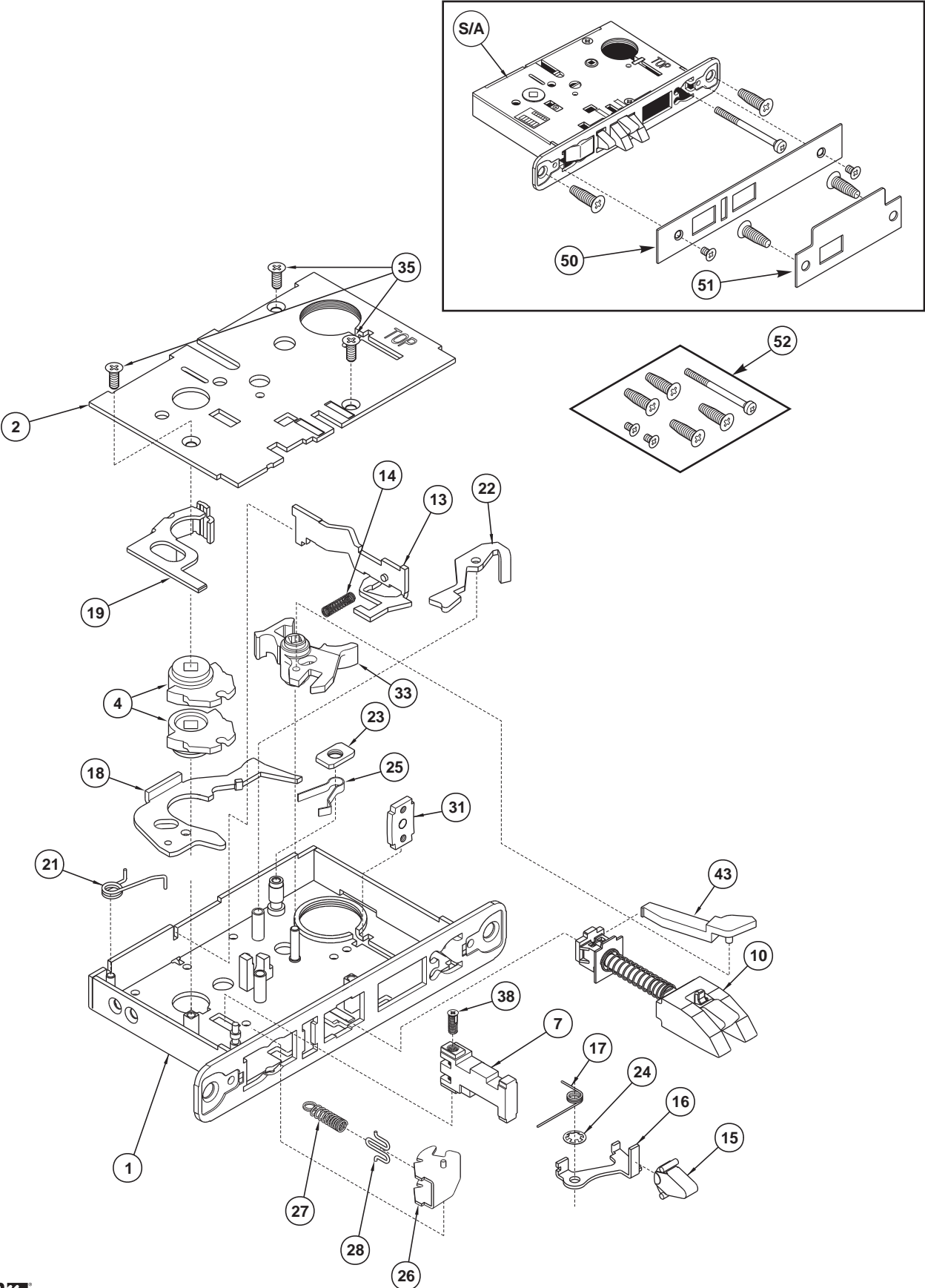
	For 1-3/4" Min. Doors			For 1-3/8" Doors
Type	Standard	Master Ring	High Security	1" Front
Function	ML2051	MR Option	ML2051HS	D138 Option

ITEM	PART NO.	DESCRIPTION
S/A		Knob Lock Body (No Cylinder or Trim) for Standard D138 Option MR Option High Security Latch Hold Back Option LHB x D138
	701F07-8*	
	701F17-8*	
	711F07-8*	
	792F07-8	
	780F07-8	
	780F17-8	
1	687F53-8* 687F54-8 687F58-8*	Case & Front Sub Assembly for Standard and High Security D138 Option MR Option
2	700F27-8* 701F57-8*	Cap, Case for Standard MR Option
4	684F14-7 683F33-7	Hub, Knob Standard High Security
7	684F05-5	Stop
10	688F17-7	Latchbolt Sub Assembly
13	602F19-8*	Lever, Deadlocking
14	700F90-7	Spring, Deadlocking Lever
15	403F67-7	Latch, Auxiliary
16	678F54-8*	Lever, Auxiliary
17	678F67-7	Spring, Auxiliary Lever
18	681F37-8*	Lever, Hub
19	688F03-8**	Retractor
21	565F04-8**	Spring, Hub Lever

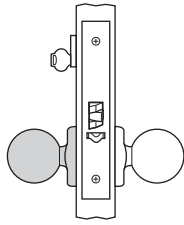
ITEM	PART NO.	DESCRIPTION
22	688F14-8*	Lever, Cylinder Latch
23	681F48-9	Stop, Cylinder Latch Lever
24	436F17-7	Ring, Retaining
25	685F38-7***	Spring, Stop
26	461F01-2	Toggle Sub Assembly
27	402F63-7	Spring, Toggle
28	402F61-7	Spring, Seat
31	402F73-8*	Bracket, Cylinder Set Screw
33	701F70-5***	Lever, Stop Cylinder
35	684F18-8**	Screw, FHUM-PH-TITE #8-32 x 3/8"
38	684F06-7	Screw, Stop
43	681F07-5***	Lever, Hold Back
50	<i>Specify Finish</i> 681F31 681F30 681F41 681F40	Armored Front for Standard D138 Option LHB LHB x D138
51	236L73 018	Std. Strike (See page 74 for options)
52	<i>Specify Finish</i> 429F41 488F09 465F57 616F12	Mortise Lock Mounting Packet for Standard MR Option High Security (M04) MR x M04 (See page 106 for packet descriptions)

*For M26 Option, replace suffix "-8" with "-2".
 **For M26 Option, replace suffix "-8" with "-7".
 ***For LHB Option.

Entrance or Office



Storeroom or Closet

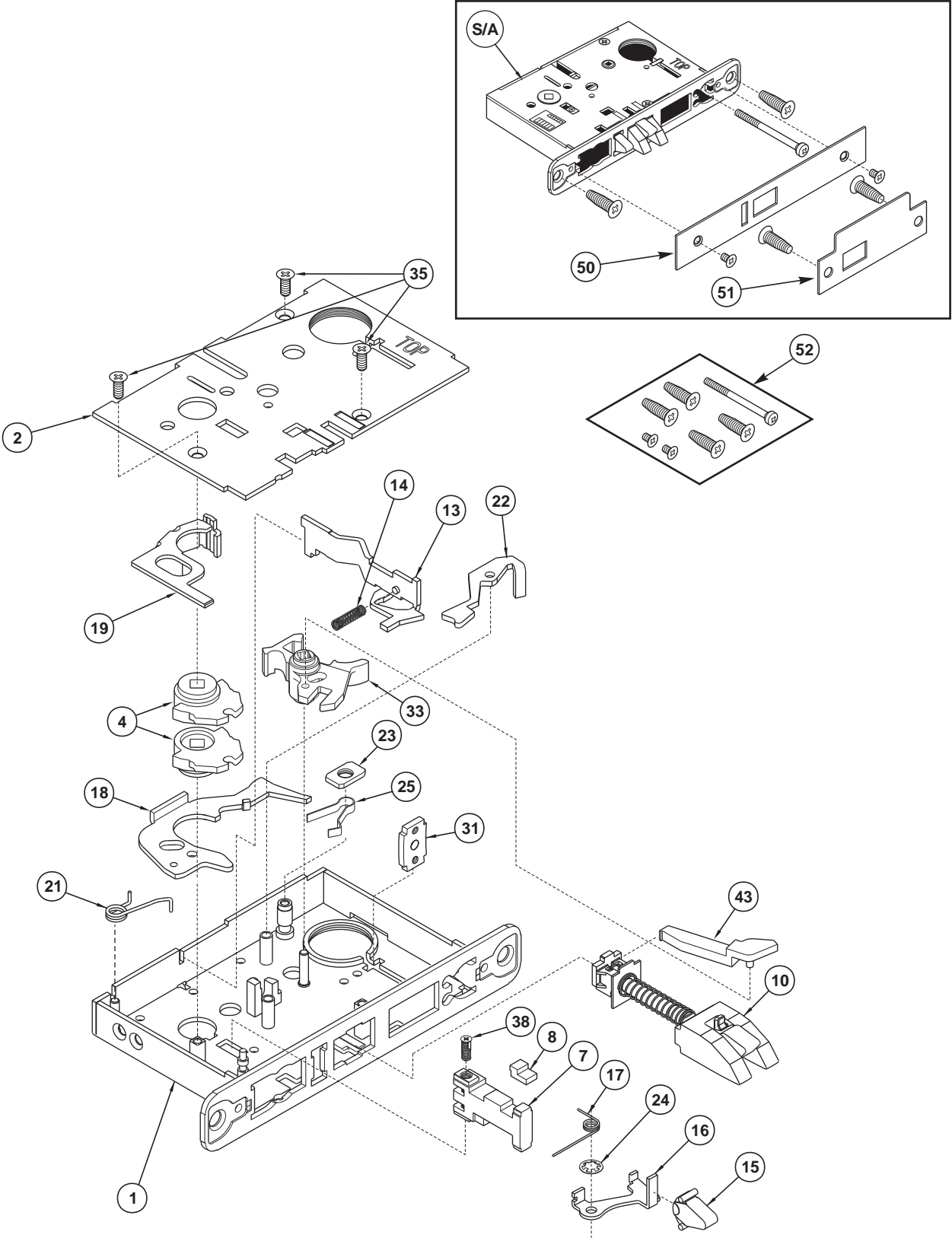


	For 1-3/4" Min. Doors			For 1-3/8" Doors
Type	Standard	Master Ring	High Security	1" Front
Function	ML2057	MR Option	ML2057HS	D138 Option

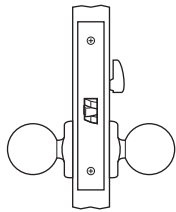
ITEM	PART NO.	DESCRIPTION
S/A		Knob Lock Body (No Cylinder or Trim) for Standard
	701F09-8*	Standard
	701F19-8*	D138 Option
	711F09-8*	MR Option
	792F09-8	High Security
	780F09-8	Latch Hold Back Option
	780F19-8	LHB x D138
1	687F53-8* 687F54-8 687F58-8*	Case & Front Sub Assembly for Standard, HS and LHB D138 Option MR Option
2	700F27-8* 701F57-8*	Cap, Case for Standard MR Option
4	684F14-7 683F33-7	Hub, Knob Standard High Security
7	684F05-5	Stop
8	684F55-9	Stop, Fixed
10	688F17-7	Latchbolt Sub Assembly
13	624F48-8*	Lever, Deadlocking
14	700F90-7	Spring, Deadlocking Lever
15	403F67-7	Latch, Auxiliary
16	678F54-8*	Lever, Auxiliary
17	678F67-7	Spring, Auxiliary Lever
18	681F37-8*	Lever, Hub

ITEM	PART NO.	DESCRIPTION
19	688F03-8**	Retractor
21	565F04-8**	Spring, Hub Lever
22	688F14-8*	Lever, Cylinder Latch
23	681F48-9	Stop, Cylinder Latch Lever
24	436F17-7	Ring, Retaining
25	685F38-7***	Spring, Stop
31	402F73-8*	Bracket, Cylinder Set Screw
33	701F70-5***	Lever, Stop Cylinder
35	684F18-8**	Screw, FHUM-PH-TITE #8-32 x 3/8"
38	684F06-7	Screw, Stop
43	681F07-5***	Lever, Hold Back
50	<i>Specify Finish</i> 624F49 624F53 681F34 681F35	Armored Front for Standard D138 Option LHB LHB x D138
51	236L73 018	Std. Strike (See page 74 for options)
52	<i>Specify Finish</i> 429F41 488F09 465F57 616F12	Mortise Lock Mounting Packet for Standard MR Option High Security (M04) MR x M04 (See page 106 for packet descriptions)

Storeroom or Closet



Privacy

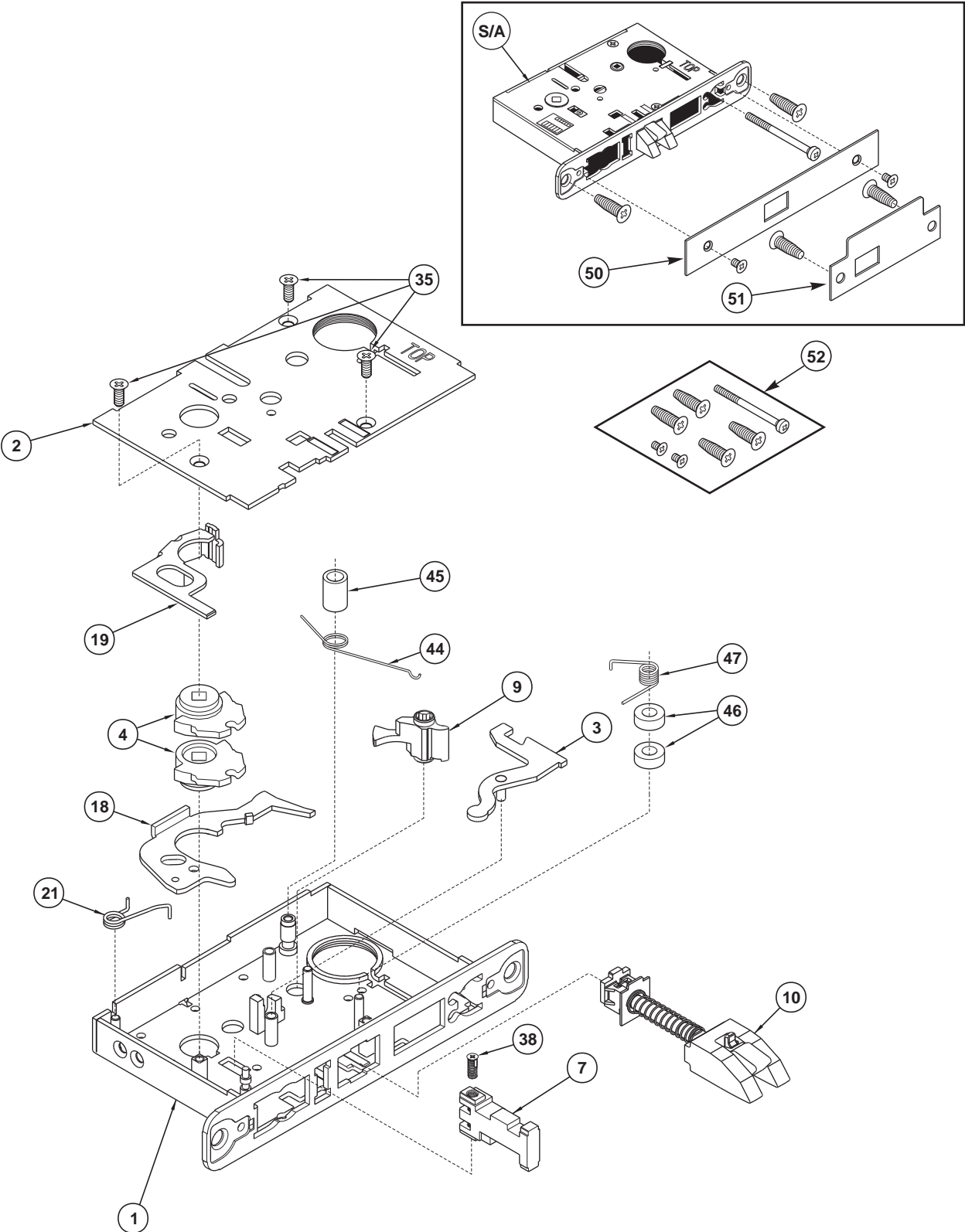


	For 1-3/4" Min. Doors		For 1-3/8" Doors
Type	Standard	Master Ring	1" Front
Function	ML2060	-----	D138 Option

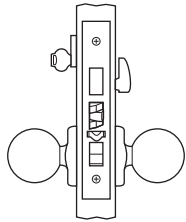
ITEM	PART NO.	DESCRIPTION
S/A		Knob Lock Body (No Cylinder or Trim) for Standard D138 Option
	701F78-8*	
	701F79-8*	
1	687F55-8* 687F56-8*	Case & Front Sub Assembly for Standard D138 Option
2	700F27-8*	Cap, Case
3	682F01-8*	Lever, Sub Assembly, Stop
4	684F14-7	Hub, Knob
7	684F055	Stop
9	624F45-5	Hub, Turnpiece
10	688F17-7	Latchbolt Sub Assembly
18	681F37-8*	Lever, Hub
19	688F03-8**	Retractor
21	565F04-8**	Spring, Hub Lever

ITEM	PART NO.	DESCRIPTION
35	684F18-8**	Screw, FHUM-PH-TITE #8-32 x 3/8"
38	684F06-7	Screw, Stop
44	624F42-7	Spring
45	624F43-9	Spacer
46	624F44-9	Spacer
47	688F01-7	Spring. Kick off
50	<i>Specify Finish</i> 423F55 423F58	Armored Front for Standard D138 Option
51	236L73 018	Std. Strike (See page 74 for options)
52	<i>Specify Finish</i> 429F41 465F57	Mortise Lock Mounting Packet for Standard High Security (M04) (See page 106 for packet descriptions)

*For M26 Option, replace suffix "-8" with "-2".
 **For M26 Option, replace suffix "-8" with "-7".



Apartment or Dormitory



	For 1-3/4" Min. Doors			For 1-3/8" Doors
Type	Standard	Master Ring	High Security	1" Front
Function	ML2067	MR Option	ML2067HS	D138 Option

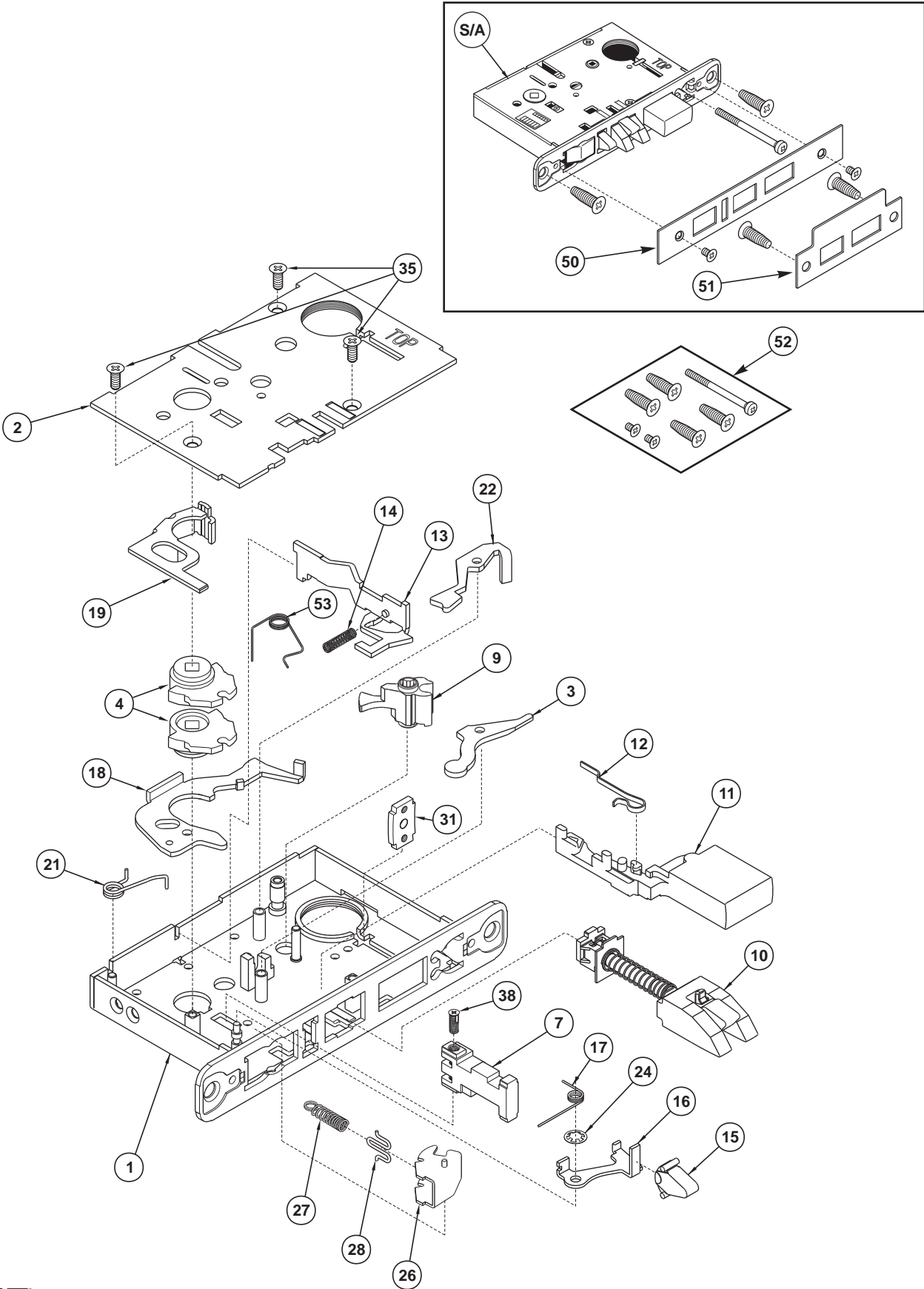
ITEM	PART NO.	DESCRIPTION
S/A	701F01-8* 701F11-8* 711F01-8 792F01-8	Knob Lock Body (No Cylinder or Trim) for Standard D138 Option MR Option High Security
1	687F53-8* 687F54-8* 687F58-8	Case & Front Sub Assembly for Standard D138 Option MR Option
2	700F27-8* 701F57-8	Cap, Case for Standard MR Option
3	700F74-8*	Lever, Stop
4	684F14-7 683F33-7	Hub, Knob Standard High Security
7	684F05-5	Stop
9	700F23-5 700F31-5	Hub, Turnpiece for Standard MR Option
10	688F17-7	Latchbolt Sub Assembly
11	702F98-7	Deadbolt
12	701F22-8**	Spring, Deadbolt
13	602F19-8*	Lever, Deadlocking
14	700F90-7	Spring, Deadlocking Lever
15	403F67-7	Latch, Auxiliary

ITEM	PART NO.	DESCRIPTION
16	678F54-8*	Lever, Auxiliary
17	678F67-7	Spring, Auxiliary Lever
18	681F36-8*	Lever, Hub
19	688F03-8**	Retractor
21	565F04-8**	Spring, Hub Lever
22	688F14-8*	Lever, Cylinder Latch
24	436F17-7	Ring, Retaining
26	461F01-2	Toggle Sub Assembly
27	402F63-7	Spring, Toggle
28	402F61-7	Spring, Seat
31	402F73-8*	Bracket, Cylinder Set Screw
35	684F18-8**	Screw, FHUM-PH-TITE #8-32 x 3/8"
38	684F06-7	Screw, Stop
50	<i>Specify Finish</i> 402F29 402F33	Armored Front for Standard D138 Option
51	236L72 018	Std. Strike (See page 74 for options)
52	<i>Specify Finish</i> 429F41 488F09 465F57 616F12	Mortise Lock Mounting Packet for Standard MR Option High Security (M04) MR x M04 (See page 106 for packet descriptions)
53	700F95-7	Spring, Latch Lever

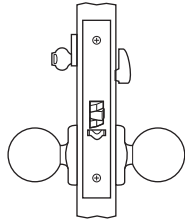
*For M26 Option, replace suffix "-8" with "-2".

**For M26 Option, replace suffix "-8" with "-7".

Apartment or Dormitory



Institutional Privacy



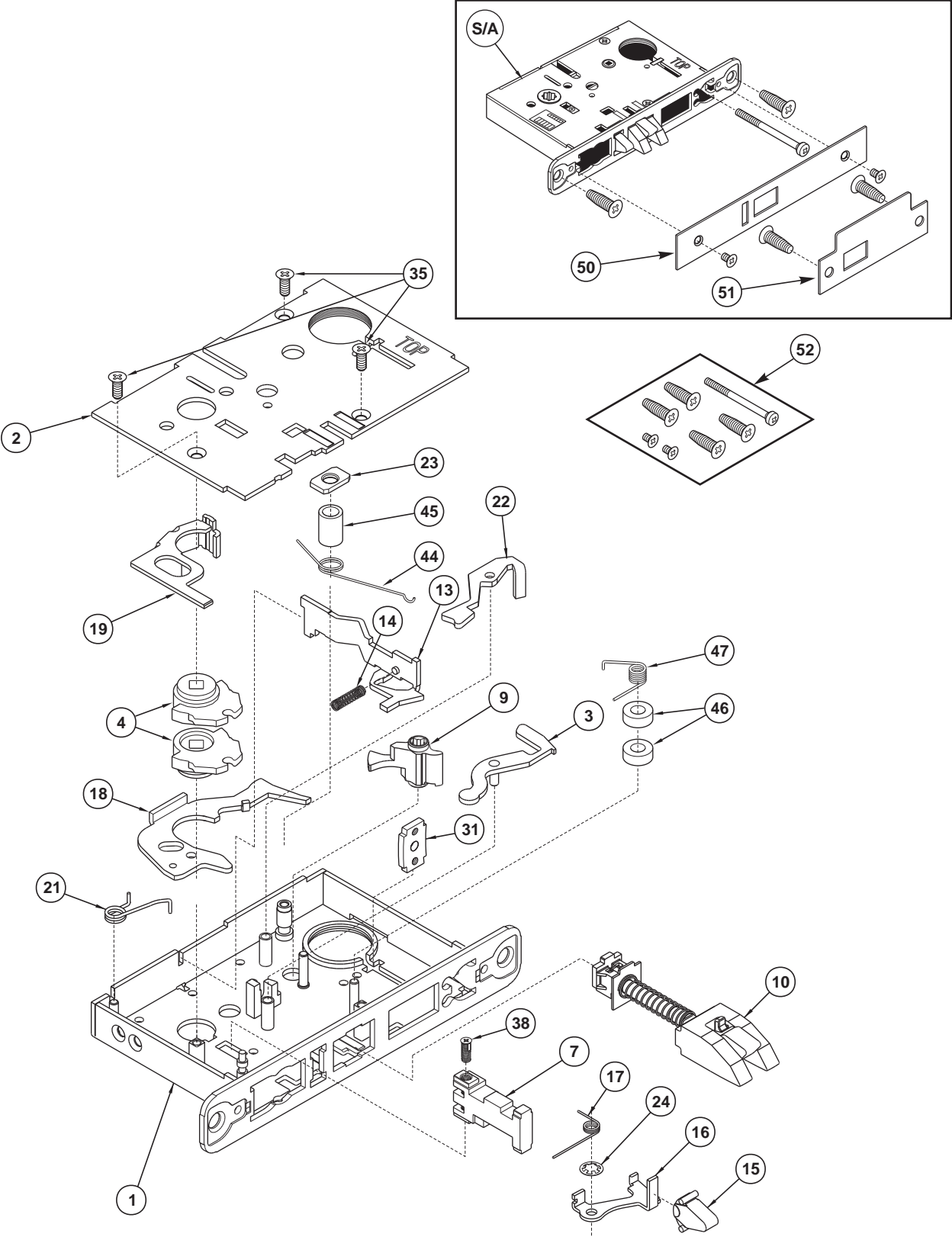
	For 1-3/4" Min. Doors			For 1-3/8" Doors
Type	Standard	Master Ring	High Security	1" Front
Function	ML2069	-----	ML2069HS	D138 Option

ITEM	PART NO.	DESCRIPTION
S/A	701F52-8* 701F59-8* 792F52-8	Knob Lock Body (No Cylinder or Trim) for Standard D138 Option High Security
1	687F55-8* 687F56-8*	Case & Front Sub Assembly for Standard D138 Option
2	700F27-8*	Cap, Case
3	624F47-8	Lever, Sub-Assembly Stop
4	684F14-7 683F33-7	Hub, Knob Standard High Security
7	684F05-5	Stop
9	624F45-5	Hub, Turnpiece
10	688F17-7	Latchbolt Sub Assembly
13	624F48-8*	Lever, Deadlocking
14	700F90-7	Spring, Deadlocking Lever
15	403F67-7	Latch, Auxiliary
16	678F54-8*	Lever, Auxiliary
17	678F67-7	Spring, Auxiliary Lever
18	681F37-8*	Lever, Hub
19	688F03-8**	Retractor

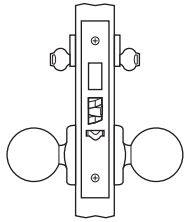
ITEM	PART NO.	DESCRIPTION
21	565F04-8**	Spring, Hub Lever
22	688F14-8*	Lever, Cylinder Latch
23	681F48-9	Stop, Cylinder Latch Lever
24	436F17-7	Ring, Retaining
31	402F73-8*	Bracket, Cylinder Set Screw
35	684F18-8**	Screw, FHUM-PH-TITE #8-32 x 3/8"
38	684F06-7	Screw, Stop
44	624F42-7	Spring
45	624F43-9	Spacer
46	624F44-9	Spacer
47	688F01-7	Spring, Kick off
50	<i>Specify Finish</i> 624F49 624F53	Armored Front for Standard D138 Option
51	236L73 018	Std. Strike (See page 74 for options)
52	<i>Specify Finish</i> 429F41 465F57	Mortise Lock Mounting Packet Standard High Security (M04) (See page 106 for packet descriptions)

*For M26 Option, replace suffix "-8" with "-2".
 **For M26 Option, replace suffix "-8" with "-7".

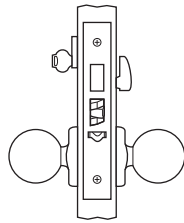
Institutional Privacy



Classroom Security



	For 1-3/4" Min. Doors			For 1-3/8" Doors
Type	Standard	Master Ring	High Security	1" Front
Function	ML2072	MR Option	ML2072HS	D138 Option



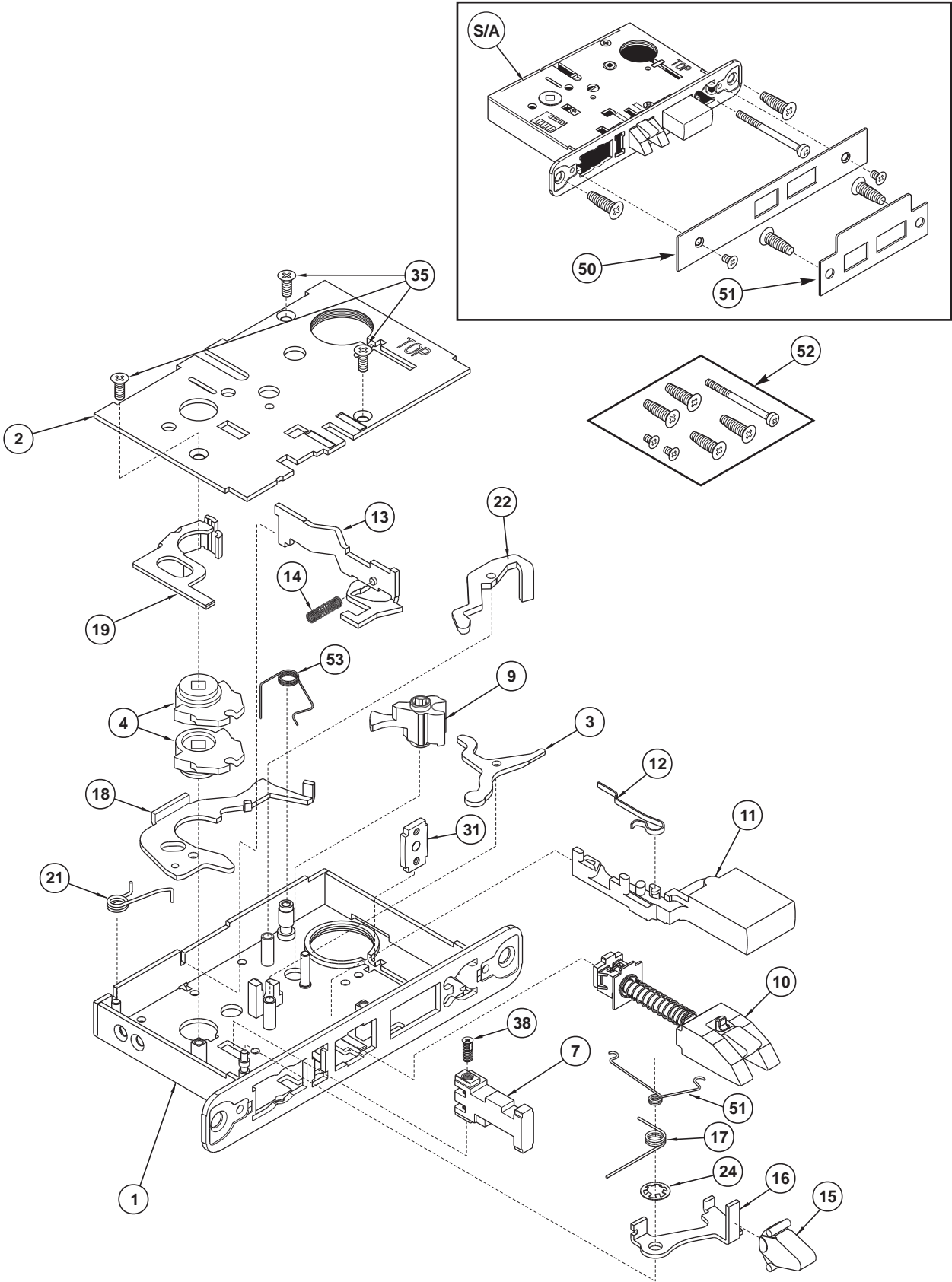
	For 1-3/4" Min. Doors			For 1-3/8" Doors
Type	Standard	Master Ring	High Security	1" Front
Function	ML2075	MR Option	ML2075HS	D138 Option

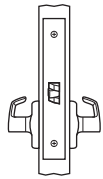
ITEM	PART NO.	DESCRIPTION
S/A	701F75-8* 701F85-8* 711F75-8 792F75-8	Knob Lock Body (No Cylinder or Trim) for Standard D138 Option MR Option High Security
1	687F53-8* 687F54-8* 687F58-8*	Case & Front Sub Assembly for Standard D138 Option MR Option
2	700F27-8* 701F57-8	Cap, Case for Standard MR Option
3	700F25-8	Lever, Stop
4	684F14-7 683F33-7	Hub, Knob Standard High Security
7	684F05-5	Stop
9	700F23-5 700F31-5	Hub, Turnpiece Standard MR Option
10	688F17-7	Latchbolt Sub Assembly
11	702F98-7	Deadbolt
12	701F22-8**	Spring, Deadbolt
13	700F21-8*	Lever, Deadlocking
14	700F90-7	Spring, Deadlocking Lever
15	403F67-7	Latch, Auxiliary
16	678F54-8*	Lever, Auxiliary

ITEM	PART NO.	DESCRIPTION
17	678F67-7	Spring, Auxiliary Lever
18	681F36-8	Lever, Hub
19	688F03-8**	Retractor
21	565F04-8	Spring, Hub Lever
22	700F22-8*	Lever, Cylinder Latch
24	436F17-7	Ring, Retaining
31	402F73-8*	Bracket, Cylinder Set Screw
35	684F18-8**	Screw, FHUM-PH-TITE #8-32 x 3/8"
38	684F06-7	Screw, Stop
50	<i>Specify Finish</i> 402F30 402F34	Armored Front for Standard D138 Option
51	236L72 018	Std. Strike (See page 74 for options)
52	<i>Specify Finish</i> 429F41 488F09 465F57 616F12 488F08-8 488F10-8	Mortise Lock Mounting Packet for Standard MR Option High Security (M04) MR & M04 (See page 106 for packet descriptions) NOTE: For double cylinder functions an additional cylinder set screw is required.) Cylinder Set Screw for Standard & High Security MR Option
53	700F95-7	Spring, Latch Lever
54	703F99-7	Spring, Stop

*For M26 Option, replace suffix "-8" with "-2".
**For M26 Option, replace suffix "-8" with "-7".

Classroom Security



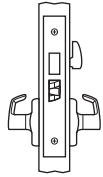


Passage or Closet

ANSI F01

Page 42

	For 1-3/4" Min. Doors		For 1-3/8" Doors	
Type	Standard	Master Ring	1" Front	Vandal Resistant
Function	ML2010	-----	D138 Option	ML2010VR

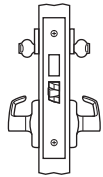


Privacy, Bedroom or Bathroom

ANSI F02

Page 44

	For 1-3/4" Min. Doors		For 1-3/8" Doors	
Type	Standard	Master Ring	1" Front	Vandal Resistant
Function	ML2020	-----	D138 Option	ML2020VR

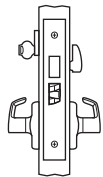


Store Door

ANSI F14

Page 44

	For 1-3/4" Min. Doors		For 1-3/8" Doors	
Type	Standard	Master Ring	1" Front	Vandal Resistant
Function	ML2022	MR Option	D138 Option	ML2022VR

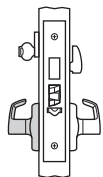


Entrance or Storeroom

ANSI F21

Page 44

	For 1-3/4" Min. Doors		For 1-3/8" Doors	
Type	Standard	Master Ring	1" Front	Vandal Resistant
Function	ML2024	MR Option	D138 Option	ML2024VR

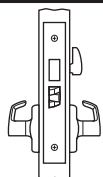


Hotel or Motel

ANSI F15

Page 46

	For 1-3/4" Min. Doors		For 1-3/8" Doors	
Type	Standard	Master Ring	1" Front	Vandal Resistant
Function	ML2029	-----	D138 Option	ML2029VR

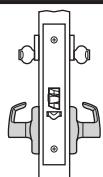


Privacy, Bedroom or Bathroom

ANSI F19

Page 48

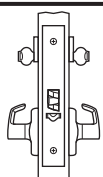
	For 1-3/4" Min. Doors		For 1-3/8" Doors	
Type	Standard	Master Ring	1" Front	Vandal Resistant
Function	ML2030	-----	D138 Option	ML2030VR



Institution or Utility

Page 50

	For 1-3/4" Min. Doors		For 1-3/8" Doors	
Type	Standard	Master Ring	1" Front	Vandal Resistant
Function	ML2032	MR Option	D138 Option	ML2032VR

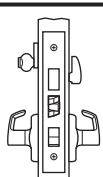


Entrance or Public Restroom

ANSI F09

Page 52

	For 1-3/4" Min. Doors		For 1-3/8" Doors	
Type	Standard	Master Ring	1" Front	Vandal Resistant
Function	ML2042	MR Option	D138 Option	ML2042VR



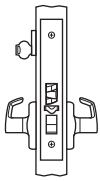
Entrance or Apartment

ANSI F10

Page 54

	For 1-3/4" Min. Doors		For 1-3/8" Doors	
Type	Standard	Master Ring	1" Front	Vandal Resistant
Function	ML2048	MR Option	D138 Option	ML2048VR

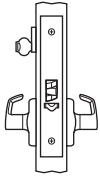
■ Indicates rigid lever



Entrance or Office

ANSI F04
Page 56

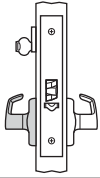
	For 1-3/4" Min. Doors		For 1-3/8" Doors	
Type	Standard	Master Ring	1" Front	Vandal Resistant
Function	ML2051	MR Option	D138 Option	ML2051VR



Classroom

ANSI F05
Page 52

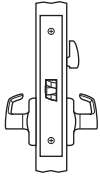
	For 1-3/4" Min. Doors		For 1-3/8" Doors	
Type	Standard	Master Ring	1" Front	Vandal Resistant
Function	ML2055	MR Option	D138 Option	ML2055VR



Storeroom or Closet

ANSI F07
Page 58

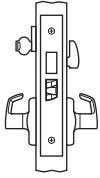
	For 1-3/4" Min. Doors		For 1-3/8" Doors	
Type	Standard	Master Ring	1" Front	Vandal Resistant
Function	ML2057	MR Option	D138 Option	ML2057VR



Privacy

ANSI F22
Page 60

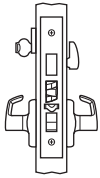
	For 1-3/4" Min. Doors		For 1-3/8" Doors	
Type	Standard	Master Ring	1" Front	Vandal Resistant
Function	ML2060	MR Option	D138 Option	ML2060VR



Dormitory, Entrance or Storeroom

ANSI F13
Page 48

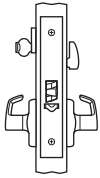
	For 1-3/4" Min. Doors		For 1-3/8" Doors	
Type	Standard	Master Ring	1" Front	Vandal Resistant
Function	ML2065	MR Option	D138 Option	ML2065VR



Apartment or Dormitory

ANSI F12
Page 62

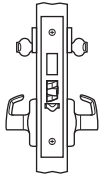
	For 1-3/4" Min. Doors		For 1-3/8" Doors	
Type	Standard	Master Ring	1" Front	Vandal Resistant
Function	ML2067	MR Option	D138 Option	ML2067VR



Institutional Privacy

Page 64

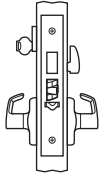
	For 1-3/4" Min. Doors		For 1-3/8" Doors	
Type	Standard	Master Ring	1" Front	Vandal Resistant
Function	ML2069	-----	D138 Option	ML2069VR



Classroom Security

Page 66

	For 1-3/4" Min. Doors		For 1-3/8" Doors	
Type	Standard	Master Ring	1" Front	Vandal Resistant
Function	ML2072	MR Option	D138 Option	ML2072VR



Classroom Security

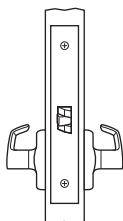
Page 66

	For 1-3/4" Min. Doors		For 1-3/8" Doors	
Type	Standard	Master Ring	1" Front	Vandal Resistant
Function	ML2075	MR Option	D138 Option	ML2075VR

■ Indicates rigid lever



Passage or Closet



	For 1-3/4" Min. Doors			For 1-3/8" Doors
Type	Standard	Master Ring	Vandal Resistant	1" Front
Function	ML2010	-----	ML2010VR	D138 Option

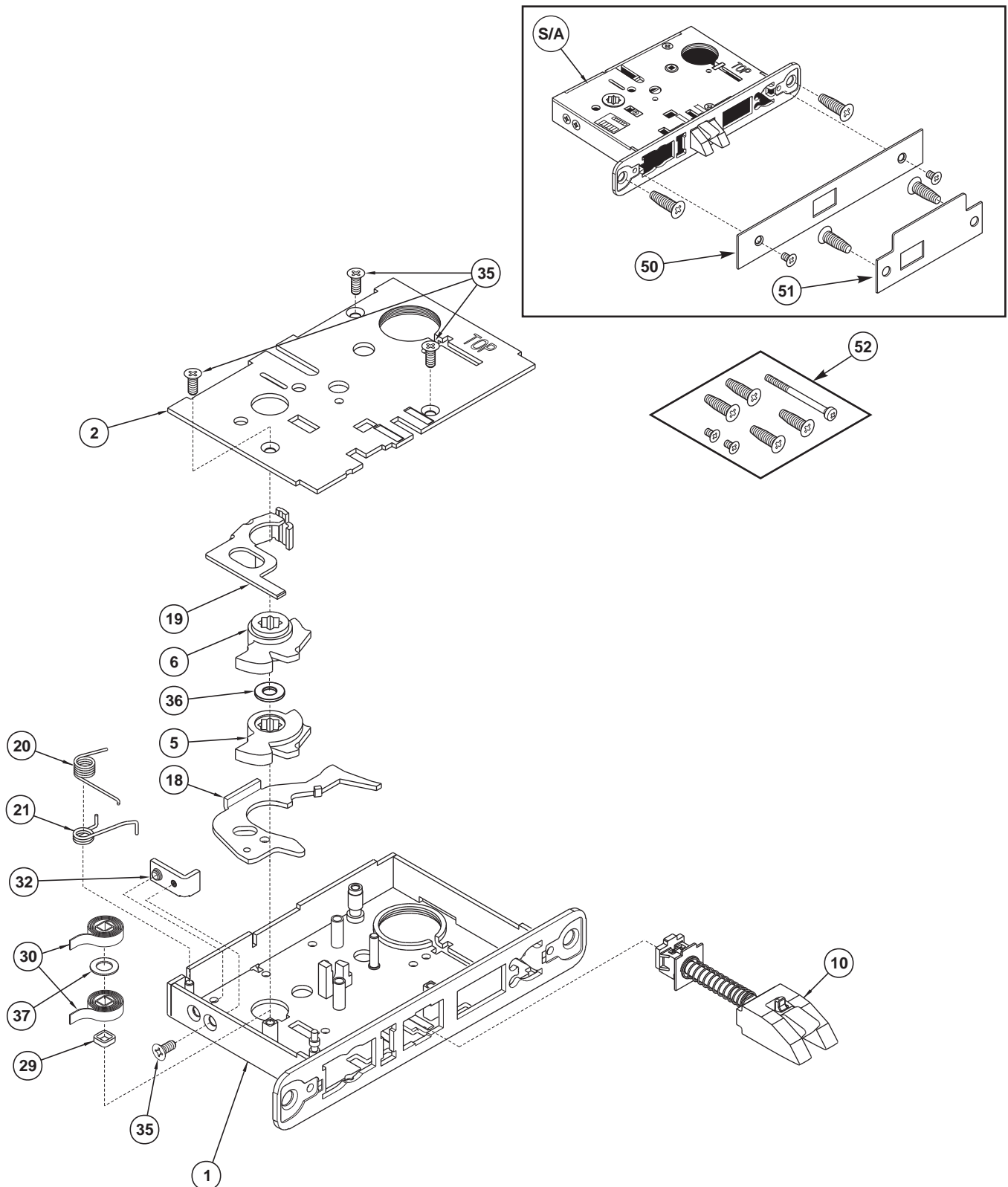
ITEM	PART NO.	DESCRIPTION
S/A	700F10-8* 700F20-8* 703F10-8*	Lever Lock Body (No Cylinder or Trim) for Standard D138 Option Vandal Resistant
1	687F53-8* 687F54-8*	Case & Front Sub Assembly for Standard D138 Option
2	700F27-8*	Cap, Case
5	684F10-8** 684F10-7	Hub (Case Side) Standard Vandal Resistant
6	684F09-8** 684F09-7	Hub (Cap Side) Standard Vandal Resistant
10	688F17-7	Latchbolt Sub Assembly
18	681F37-8*	Lever, Hub
19	688F03-8**	Retractor
20	690F82-7	Spring, Retractor
21	565F04-8**	Spring, Hub Lever
29	466F22-9	Spacer

ITEM	PART NO.	DESCRIPTION
30	404F85-8**	Spring, Lever Return
32	404F86-8*	Bracket, Align
35	684F18-8**	Screw, FHUM-PH TITE, #8-32 x 3/8"
36	684F11-9	Spacer, Hub
37	684F12-9	Spacer, Spring
50	<i>Specify Finish</i> 423F55 423F58	Armored Front for Standard D138 Option
51	236L73 018	Std. Strike (See page 74 for options)
52	<i>Specify Finish</i> 429F41 465F57	Mortise Lock Mounting Packet Vandal Resistant & M04 (See page 106 for packet descriptions)

*For M26 Option, replace suffix "-8" with "-2".
 **For M26 Option, replace suffix "-8" with "-7".

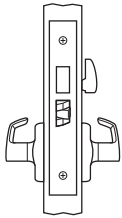


Passage or Closet

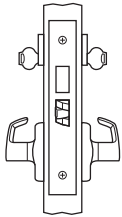




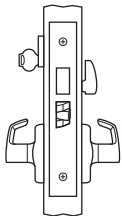
**Privacy, Bedroom or Bathroom
Store Door, Entrance or Storeroom**



	For 1-3/4" Min. Doors			For 1-3/8" Doors
Type	Standard	Master Ring	Vandal Resistant	1" Front
Function	ML2020	-----	ML2020VR	D138 Option



	For 1-3/4" Min. Doors			For 1-3/8" Doors
Type	Standard	Master Ring	Vandal Resistant	1" Front
Function	ML2022	MR Option	ML2022VR	D138 Option



	For 1-3/4" Min. Doors			For 1-3/8" Doors
Type	Standard	Master Ring	Vandal Resistant	1" Front
Function	ML2024	MR Option	ML2024VR	D138 Option

ITEM	PART NO.	DESCRIPTION
S/A	700F05-8* 700F15-8* 710F05-8* 703F05-8*	Lever Lock Body (No Cylinder or Trim) for Standard D138 Option MR Option Vandal Resistant
1	687F53-8* 687F54-8 687F58-8*	Case & Front Sub Assembly for Standard D138 Option MR Option
2	700F27-8* 701F57-8*	Cap, Case for Standard MR Option
3	700F70-8	Lever, Stop
5	684F10-8** 684F10-7	Hub (Case Side) Standard Hub Vandal Resistant
6	684F09-8** 684F09-7	Hub (Cap Side) Standard Vandal Resistant
7	684F05-5	Stop
9	700F23-5 700F31-5	Hub, Turnpiece for Standard MR Option
10	688F17-7	Latchbolt Sub Assembly
11	702F98-7	Deadbolt

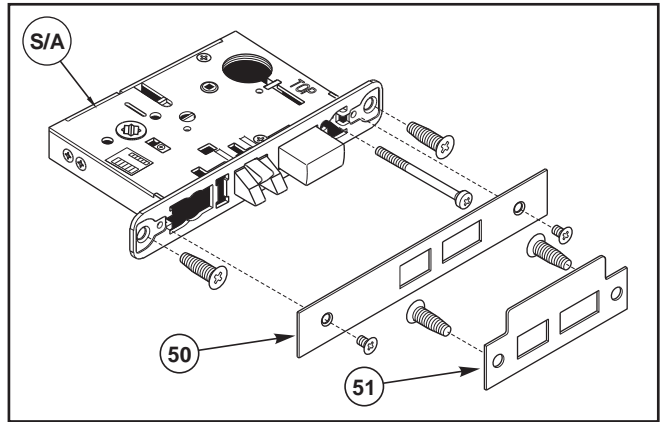
ITEM	PART NO.	DESCRIPTION
12	701F22-8**	Spring, Deadbolt
18	681F37-8*	Lever, Hub
19	688F03-8**	Retractor
20	690F82-7	Spring, Retractor
21	565F04-8**	Spring, Hub Lever
22	688F14-8*	Lever Sub Assembly, Cylinder Latch
29	466F22-9	Spacer
30	404F85-8**	Spring, Lever Return
31	402F73-8*	Bracket, Cylinder Set Screw
32	404F86-8*	Bracket, Align
35	684F18-8**	Screw, FHUM-PH-TITE #8-32 x 3/8"
36	684F11-9	Spacer, Hub
37	684F12-9	Spacer, Spring
50	<i>Specify Finish</i> 423F54 423F57	Armored Front for Standard D138 Option

*For M26 Option, replace suffix "-8" with "-2".
**For M26 Option, replace suffix "-8" with "-7".

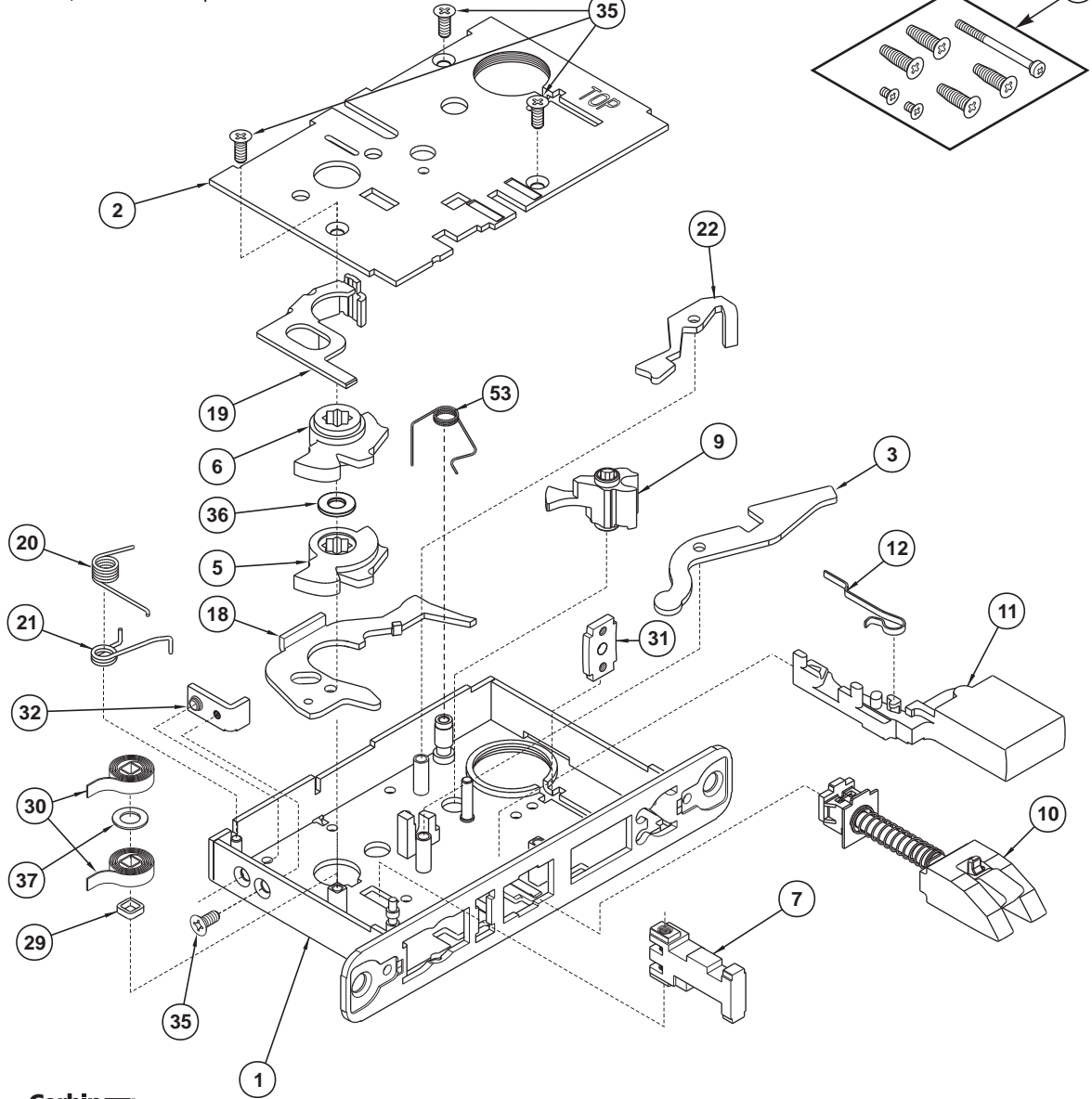


Privacy, Bedroom or Bathroom Store Door, Entrance or Storeroom

ITEM	PART NO.	DESCRIPTION
51	236L72 018	Std. Strike (See page 74 for options)
52	<i>Specify Finish</i> 429F41 488F09 465F57 616F12	Mortise Lock Mounting Packet for Standard MR Option Vandal Resistant & M04 MR x M04 (See page 106 for packet descriptions) NOTE: For double cylinder functions an additional cylinder set screw is required. Cylinder Set Screw for Standard MR Option
	488F08-8 488F10-8	

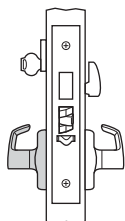


53	700F95-7	Spring, Latch Lever
----	----------	---------------------





Hotel or Motel



	For 1-3/4" Min. Doors			For 1-3/8" Doors
Type	Standard	Master Ring	Vandal Resistant	1" Front
Function	ML2029	-----	ML2029VR	D138 Option

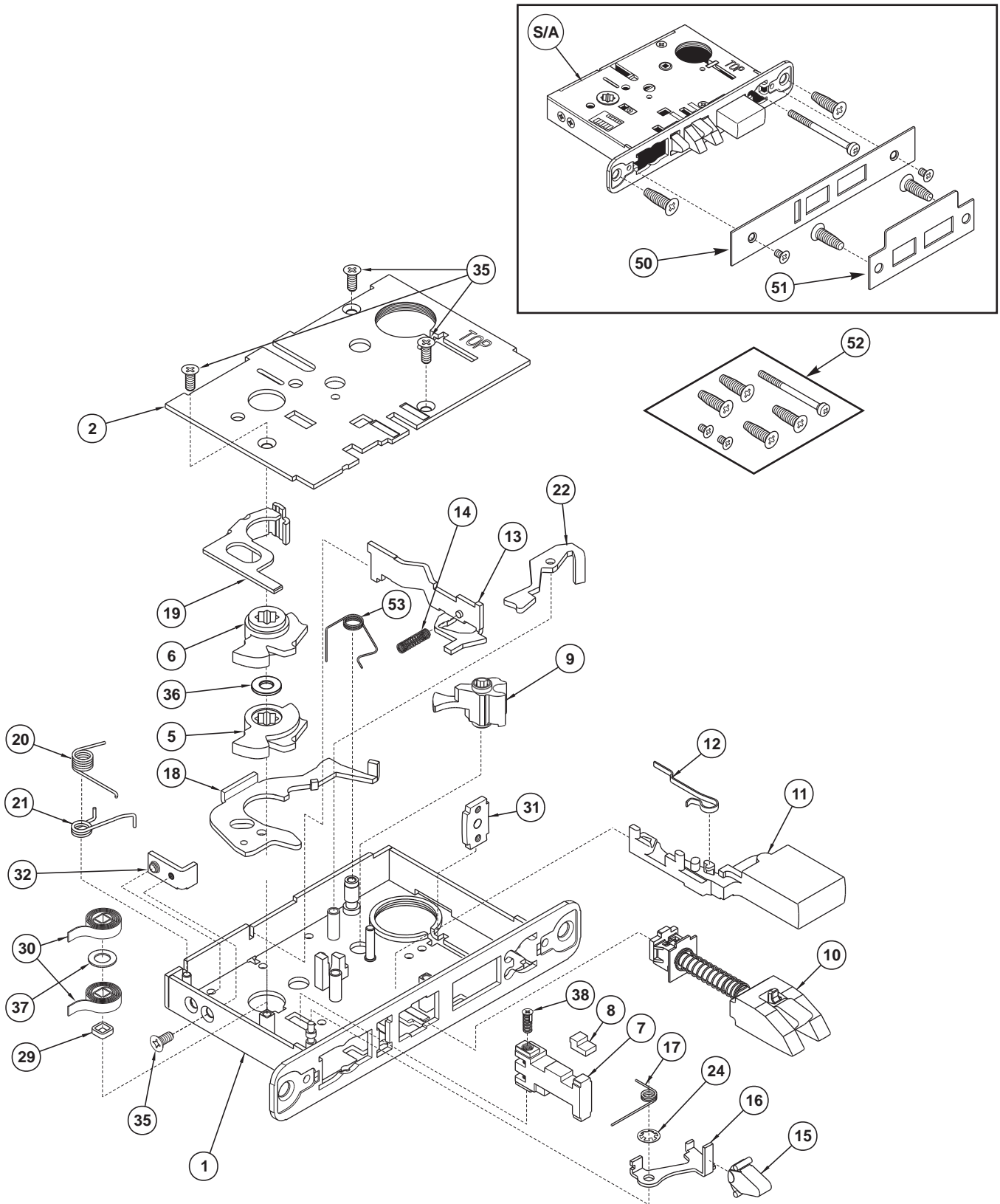
ITEM	PART NO.	DESCRIPTION
S/A	700F03-8* 700F13-8* 703F03-8*	Lever Lock Body (No Cylinder or Trim) for Standard D138 Option Vandal Resistant
1	687F53-8* 687F54-8	Case & Front Sub Assembly for Standard D138 Option
2	700F27-8*	Cap, Case
5	684F10-8** 684F10-7	Hub (Case Side) Standard Vandal Resistant
6	684F09-8** 684F09-7	Hub (Cap Side) Standard Vandal Resistant
7	684F05-5	Stop
8	684F55-9	Stop, Fixed
9	700F23-5	Hub, Turnpiece
10	688F17-7	Latchbolt Sub Assembly
11	702F98-7	Deadbolt
12	701F22-8**	Spring, Deadbolt
13	624F48-8*	Lever, Deadlocking
14	700F90-7	Spring, Deadlocking Lever
15	403F67-7	Latch, Auxiliary
16	678F54-8*	Lever, Auxiliary
17	678F67-7	Spring, Auxiliary Lever
18	681F36-8*	Lever, Hub
19	688F03-8**	Retractor

ITEM	PART NO.	DESCRIPTION
20	690F82-7	Spring, Retractor
21	565F04-8**	Spring, Hub Lever
22	688F14-8*	Lever, Cylinder Latch
24	436F17-7	Ring, Retaining
29	466F22-9	Spacer
30	404F85-8**	Spring, Lever Return
31	402F73-8*	Bracket, Cylinder Set Screw
32	404F86-8*	Bracket, Align
35	684F18-8**	Screw, FHUM-PH-TITE #8-32 x 3/8"
36	684F11-9	Spacer, Hub
37	684F12-9	Spacer, Spring
38	684F06-7	Screw, Stop
50	<i>Specify Finish</i> 402F30 402F34	Armored Front for Standard D138 Option
51	236L72 018	Std. Strike (See page 74 for options)
52	<i>Specify Finish</i> 429F41 465F57	Mortise Lock Mounting Packet for Standard Vandal Resistant & M04 (See page 106 for packet descriptions)
53	700F95-7	Spring, Latch Lever

*For M26 Option, replace suffix "-8" with "-2".
**For M26 Option, replace suffix "-8" with "-7".

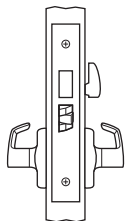


Hotel or Motel

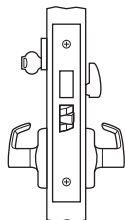




**Privacy, Bedroom or Bathroom
Dormitory, Entrance or Storeroom**



	For 1-3/4" Min. Doors			For 1-3/8" Doors
Type	Standard	Master Ring	Vandal Resistant	1" Front
Function	ML2030	-----	ML2030VR	D138 Option



	For 1-3/4" Min. Doors			For 1-3/8" Doors
Type	Standard	Master Ring	Vandal Resistant	1" Front
Function	ML2065	MR Option	ML2065VR	D138 Option

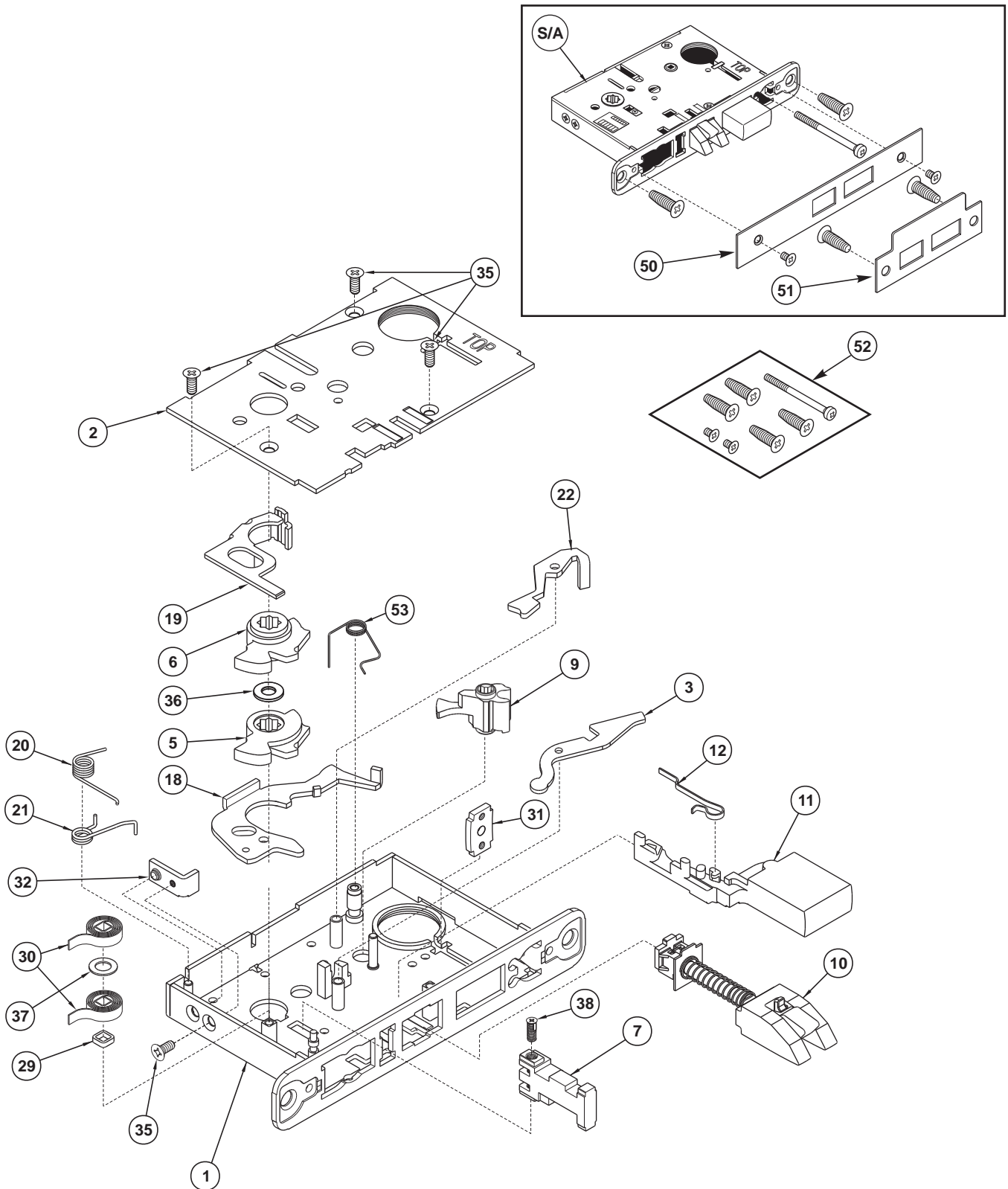
ITEM	PART NO.	DESCRIPTION
S/A	700F02-8* 700F12-8* 710F02-8 703F02-8*	Lever Lock Body (No Cylinder or Trim) for Standard D138 Option MR Option Vandal Resistant
1	687F53-8* 687F54-8 687F58-8*	Case & Front Sub Assembly for Standard D138 Option MR Option
2	700F27-8* 701F57-8*	Cap, Case for Standard MR Option
3	700F70-8*	Lever, Stop
5	684F10-8** 684F10-7	Hub (Case Side) Standard Vandal Resistant
6	684F09-8** 684F09-7	Hub (Cap Side) Standard Vandal Resistant
7	684F05-5	Stop
9	700F23-5 700F31-5	Hub, Turnpiece for Standard MR Option
10	688F17-7	Latchbolt Sub Assembly
11	702F98-7	Deadbolt
12	701F22-8**	Spring, Deadbolt
18	681F36-8*	Lever, Hub

ITEM	PART NO.	DESCRIPTION
19	688F03-8**	Retractor
20	690F82-7	Spring, Retractor
21	565F04-8**	Spring, Hub Lever
22	688F14-8*	Lever, Cylinder Latch
29	466F22-9	Spacer
30	404F85-8**	Spring, Lever Return
31	402F73-8*	Bracket, Cylinder Set Screw
32	404F86-8*	Bracket, Align
35	684F18-8**	Screw, FHUM-PH-TITE #8-32 x 3/8"
36	684F11-9	Spacer, Hub
37	684F12-9	Spacer, Spring
38	684F06-7	Screw, Stop
50	<i>Specify Finish</i> 423F54 423F57	Armored Front for Standard D138 Option
51	236L72 018	Std. Strike (See page 74 for options)
52	<i>Specify Finish</i> 429F41 488F09 465F57 616F12	Mortise Lock Mounting Packet for Standard MR Option Vandal Resistant & M04 MR x M04 (See page 106 for packet descriptions)
53	700F95-7	Spring, Latch Lever

*For M26 Option, replace suffix "-8" with "-2".
**For M26 Option, replace suffix "-8" with "-7".

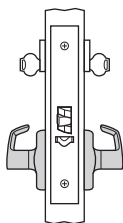


Privacy, Bedroom or Bathroom
Dormitory, Entrance or Storeroom





Institution or Utility



	For 1-3/4" Min. Doors			For 1-3/8" Doors
Type	Standard	Master Ring	Vandal Resistant	1" Front
Function	ML2032	MR Option	ML2032VR	D138 Option

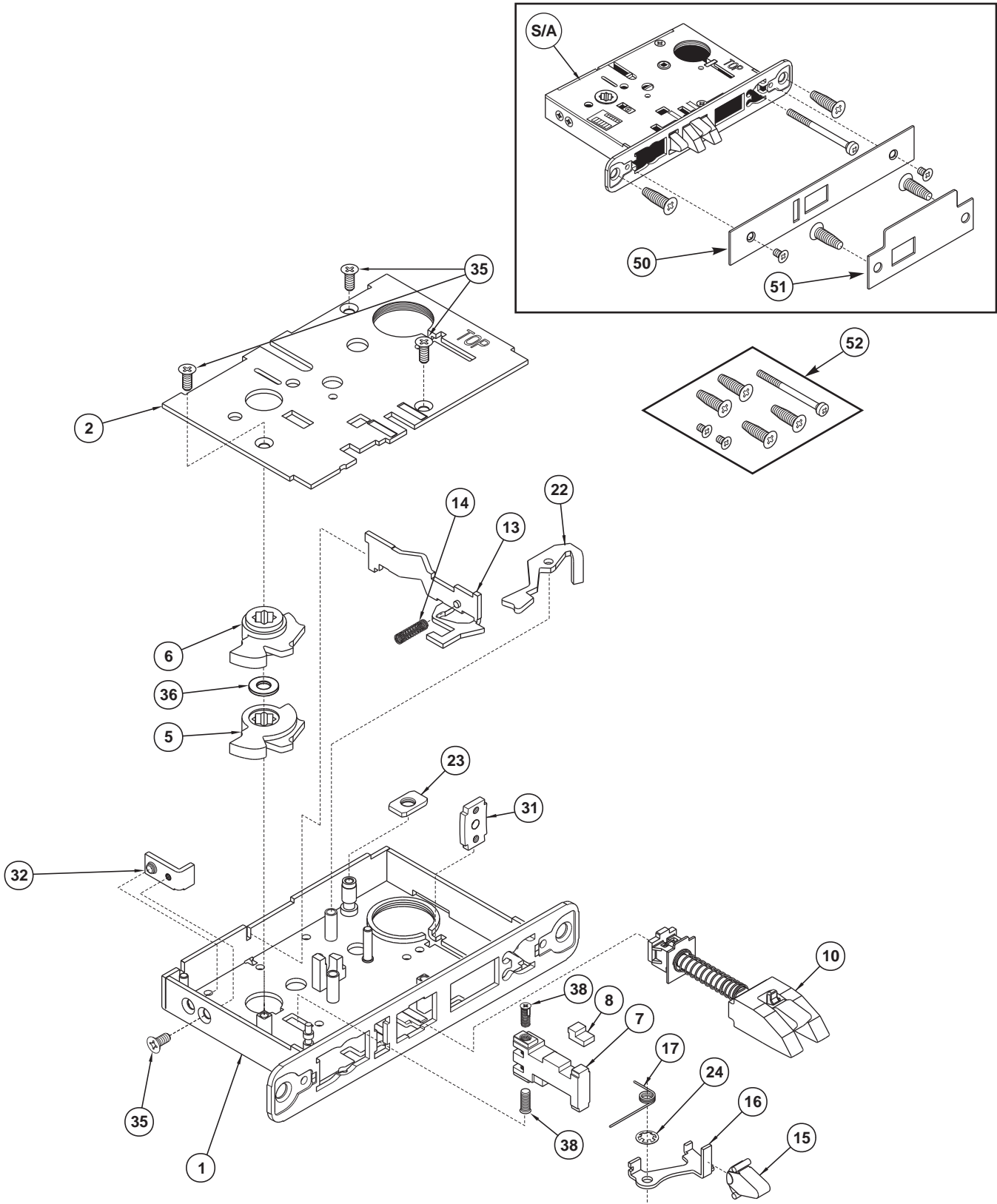
ITEM	PART NO.	DESCRIPTION
S/A	700F29-8* 700F39-8* 710F29-8* 703F29-8*	Lever Lock Body (No Cylinder or Trim) for Standard D138 Option MR Option Vandal Resistant
1	687F53-8* 687F54-8 687F58-8*	Case & Front Sub Assembly for Standard D138 Option MR Option
2	700F27-8* 701F57-8*	Cap, Case for Standard MR Option
5	684F10-8** 684F10-7	Hub (Case Side) Standard Vandal Resistant
6	684F09-8** 684F09-7	Hub (Cap Side) Standard Vandal Resistant
7	684F05-5	Stop
8	684F55-9	Stop, Fixed
10	688F17-7	Latchbolt Sub Assembly
13	624F48-8*	Lever, Deadlocking
14	700F90-7	Spring, Deadlocking Lever
15	403F67-7	Latch, Auxiliary
16	678F54-8*	Lever, Auxiliary
17	678F67-7	Spring, Auxiliary Lever

ITEM	PART NO.	DESCRIPTION
22	688F14-8*	Lever, Cylinder Latch
23	681F48-9	Stop, Cylinder Latch Lever
24	436F17-7	Ring, Retaining
31	402F73-8*	Bracket, Cylinder Set Screw
32	404F86-8*	Bracket, Align
35	684F18-8**	Screw, FHUM-PH-TITE #8-32 x 3/8"
36	684F11-9	Spacer, Hub
38	684F06-7	Screw, Stop
50	<i>Specify Finish</i> 624F49 624F53	Armored Front for Standard D138 Option
51	236L73 018	Std. Strike (See page 74 for options)
52	<i>Specify Finish</i> 429F41 488F09 465F57 616F12 488F08-8 488F10-8	Mortise Lock Mounting Packet for Standard MR Option Vandal Resistant & M04 MR x M04 (See page 106 for packet descriptions) NOTE: For double cylinder functions an additional cylinder set screw is required. Cylinder Set Screw for Standard & Vandal Resistant MR Option

*For M26 Option, replace suffix "-8" with "-2".
**For M26 Option, replace suffix "-8" with "-7".

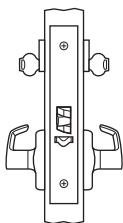


Institution or Utility

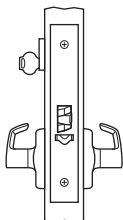




Entrance or Public Restroom Classroom



	For 1-3/4" Min. Doors			For 1-3/8" Doors
Type	Standard	Master Ring	Vandal Resistant	1" Front
Function	ML2042	MR Option	ML2042VR	D138 Option



	For 1-3/4" Min. Doors			For 1-3/8" Doors
Type	Standard	Master Ring	Vandal Resistant	1" Front
Function	ML2055	MR Option	ML2055VR	D138 Option

ITEM	PART NO.	DESCRIPTION
S/A	700F08-8* 700F18-8* 710F08-8* 778F08-8* 778F18-8* 703F08-8*	Lever Lock Body (No Cylinder or Trim) for Standard D138 Option MR Option Latch Hold Back Option LHB x D138 Vandal Resistant
1	687F53-8* 687F54-8 687F58-8	Case & Front Sub Assembly for Standard D138 Option MR Option
2	700F27-8* 701F57-8	Cap, Case for Standard MR Option
3	681F44-8	Lever Stop
5	684F10-8** 684F10-7	Hub (Case Side) Standard Vandal Resistant
6	684F09-8** 684F09-7	Hub (Cap Side) Standard Vandal Resistant
7	684F05-5	Stop
10	688F17-7	Latchbolt Sub Assembly
13	624F48-8**	Lever, Deadlocking
14	700F90-7	Spring, Deadlocking Lever
15	403F67-7	Latch, Auxiliary
16	678F54-8*	Lever, Auxiliary
17	678F67-7	Spring, Auxiliary Lever

ITEM	PART NO.	DESCRIPTION
18	681F37-8*	Lever, Hub
19	688F03-8**	Retractor
20	690F82-7	Spring, Retractor
21	565F04-8**	Spring, Hub Lever
22	688F14-8*	Lever, Cylinder Latch
23	681F48-9	Stop, Cylinder Latch Lever
24	436F17-7	Ring, Retaining
25	685F38-7	Spring, Stop
29	466F22-9	Spacer
30	404F85-8**	Spring, Lever Return
31	402F73-8*	Bracket, Cylinder Set Screw
32	404F86-8*	Bracket, Align
33	701F70-5***	Lever, Stop Cylinder
35	684F18-8**	Screw, FHUM-PH-TITE #8-32 x 3/8"
36	684F11-9	Spacer, Hub
37	684F12-9	Spacer, Spring
38	684F06-7	Screw, Stop
43	681F07-5***	Lever, Hold Back
50	Specify Finish 624F49 624F53 681F34 681F35	Armored Front for Standard D138 Option LHB - Standard LHB x D138

*For M26 Option, replace suffix "-8" with "-2".

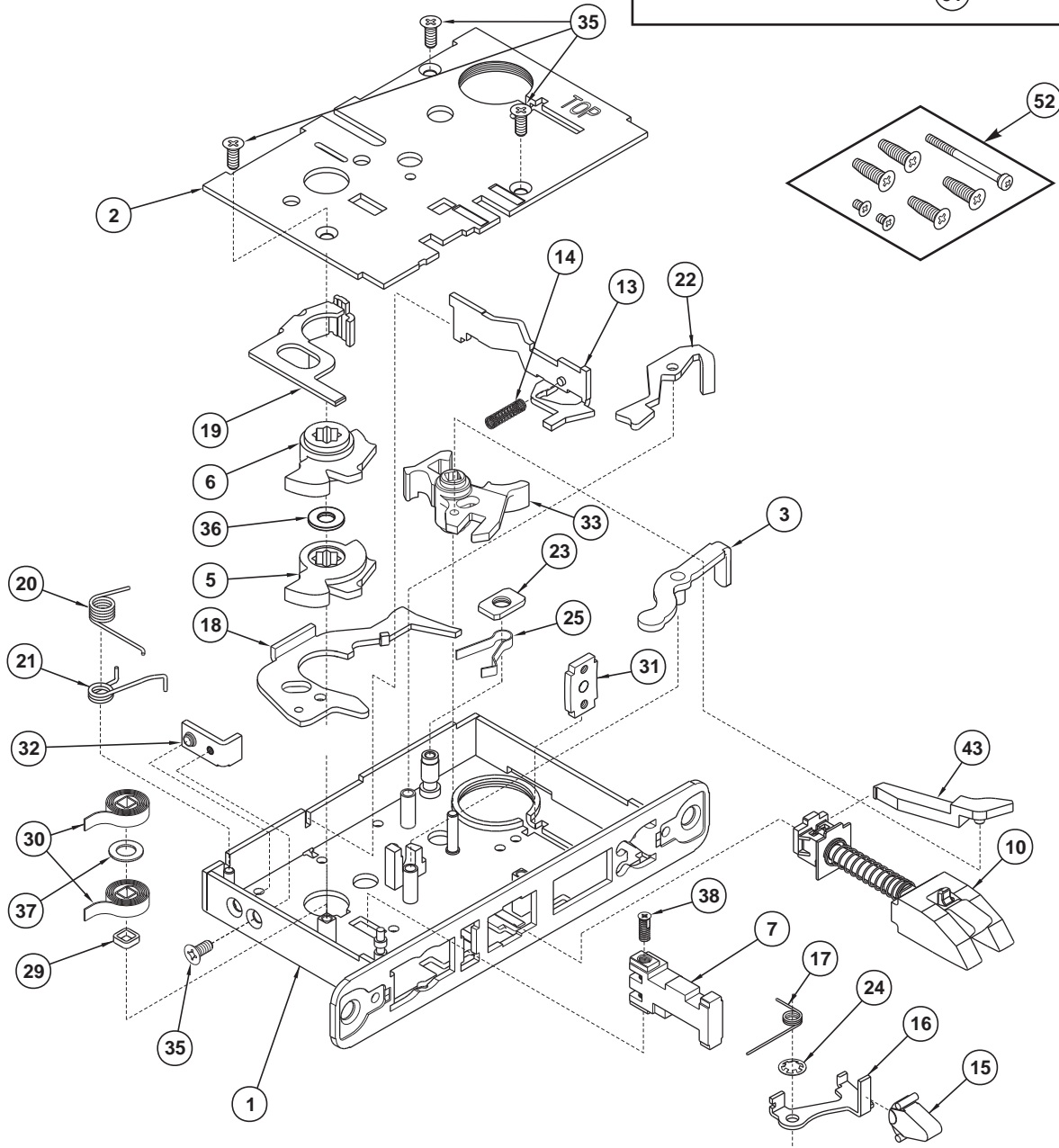
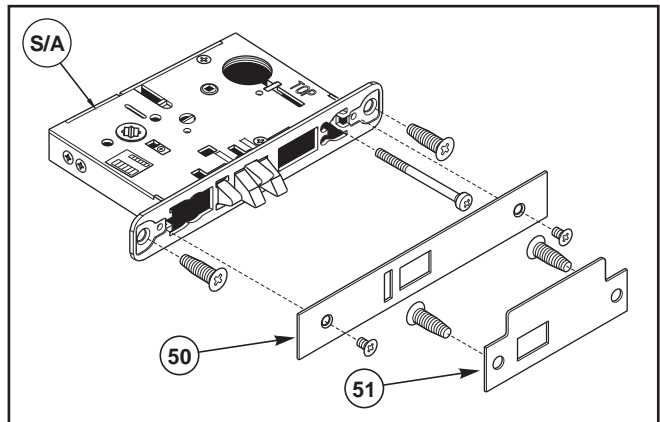
**For M26 Option, replace suffix "-8" with "-7".

***For LHB Option.



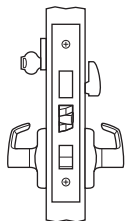
Entrance or Public Restroom Classroom

ITEM	PART NO.	DESCRIPTION
51	236L73 018	Std. Strike (See page 74 for options)
52	<i>Specify Finish</i> 429F41 488F09 465F57 616F12	Mortise Lock Mounting Packet for Standard MR Option Vandal Resistant & M04 MR x M04 (See page 106 for packet descriptions) NOTE: For double cylinder functions an additional cylinder set screw is required. Cylinder Set Screw for Standard & Vandal Resistant MR Option
	488F08-8 488F10-8	





Entrance or Apartment



	For 1-3/4" Min. Doors			For 1-3/8" Doors
Type	Standard	Master Ring	Vandal Resistant	1" Front
Function	ML2048	MR Option	ML2048VR	D138 Option

ITEM	PART NO.	DESCRIPTION
S/A	700F04-8* 700F14-8* 710F04-8 703F04-8*	Lever Lock Body (No Cylinder or Trim) for Standard D138 Option MR Option Vandal Resistant
1	687F53-8* 687F54-8 687F58-8*	Case & Front Sub Assembly for Standard D138 Option MR Option
2	700F27-8* 701F57-8*	Cap, Case for Standard MR Option
5	684F10-8** 684F10-7	Hub (Case Side) Standard Vandal Resistant
6	684F09-8** 684F09-7	Hub (Cap Side) Standard Vandal Resistant
7	684F05-5	Stop
9	700F23-5 700F31-5	Hub, Turnpiece for Standard MR Option
10	688F17-7	Latchbolt Sub Assembly
11	702F98-7	Deadbolt
12	701F22-8**	Spring, Deadbolt
18	681F37-8*	Lever, Hub
19	688F03-8**	Retractor
20	690F82-7	Spring, Retractor
21	565F04-8**	Spring, Hub Lever

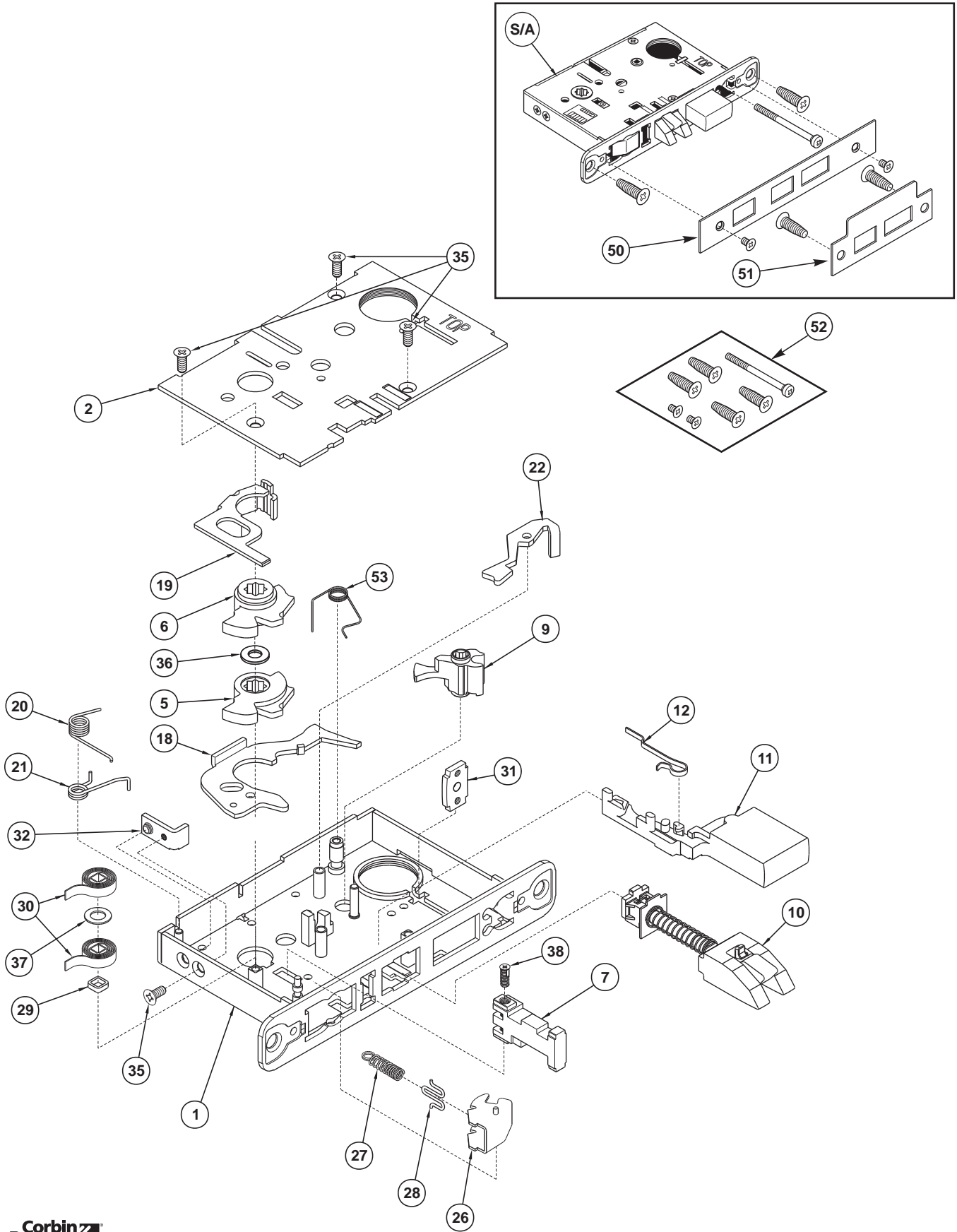
ITEM	PART NO.	DESCRIPTION
22	688F14-8*	Lever, Cylinder Latch
26	461F01-2	Toggle Sub Assembly
27	402F63-7	Spring, Toggle
28	402F61-7	Spring, Seat
29	466F22-9	Spacer
30	404F85-8**	Spring, Lever Return
31	402F73-8*	Bracket, Cylinder Set Screw
32	404F86-8*	Bracket, Align
35	684F18-8**	Screw, FHUM-PH-TITE #8-32 x 3/8"
36	684F11-9	Spacer, Hub
37	684F12-9	Spacer, Spring
38	684F06-7	Screw, Stop
50	<i>Specify Finish</i> 402F31 402F35	Armored Front for Standard D138 Option
51	236L72 018	Std. Strike (See page 74 for options)
52	<i>Specify Finish</i> 429F41 488F09 465F57 616F12	Mortise Lock Mounting Packet for Standard MR Option Vandal Resistant & M04 MR x M04 (See page 106 for packet descriptions)
53	700F95-7	Spring, Latch Lever

*For M26 Option, replace suffix "-8" with "-2".

**For M26 Option, replace suffix "-8" with "-7".

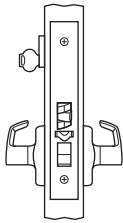


Entrance or Apartment





Entrance or Office



	For 1-3/4" Min. Doors			For 1-3/8" Doors
Type	Standard	Master Ring	Vandal Resistant	1" Front
Function	ML2051	MR Option	ML2051VR	D138 Option

ITEM	PART NO.	DESCRIPTION	ITEM	PART NO.	DESCRIPTION
S/A		Lever Lock Body (No Cylinder or Trim) for Standard D138 Option MR Option Latch Hold Back Option LHB x D138 Vandal Resistant	23	681F48-9	Stop, Cylinder Latch Lever
	700F07-8*		24	436F17-7	Ring, Retaining
	700F17-8*		25	685F38-7***	Spring, Stop
	710F07-8		26	461F01-2	Toggle Sub Assembly
	778F07-8*		27	402F63-7	Spring, Toggle
	778F17-8*		28	402F61-7	Spring, Seat
	703F07-8*		29	466F22-9	Spacer
1	687F53-8*	Case & Front Sub Assembly for Standard D138 Option MR Option	30	404F85-8**	Spring, Lever Return
	687F54-8		31	402F73-8*	Bracket, Cylinder Set Screw
	687F58-8		32	404F86-8*	Bracket, Align
2	700F27-8*	Cap, Case for Standard MR Option	33	701F70-5***	Lever, Stop Cylinder
	701F57-8		35	684F18-8**	Screw, FHUM-PH-TITE #8-32 x 3/8"
5	684F10-8**	Hub (Case Side) Standard Vandal Resistant	36	684F11-9	Spacer, Hub
	684F10-7		37	684F12-9	Spacer, Spring
6	684F09-8**	Hub (Cap Side) Standard Vandal Resistant	38	684F06-7	Screw, Stop
	684F09-7		43	701F56-5***	Lever, Hold Back
7	684F05-5	Stop	50	<i>Specify Finish</i> 681F31 681F30 681F41 681F40	Armored Front for Standard D138 Option LHB Standard LHB x D138
10	688F17-7	Latchbolt Sub Assembly	51	236L73 018	Std. Strike (See page 74 for options)
13	602F19-8*	Lever, Deadlocking	52	<i>Specify Finish</i> 429F41 488F09 465F57 616F12	Mortise Lock Mounting Packet for Standard MR Option Vandal Resistant & M04 MR x M04 (See page 106 for packet descriptions)
14	700F90-7	Spring, Deadlocking Lever			
15	403F67-7	Latch, Auxiliary			
16	678F54-8*	Lever, Auxiliary			
17	678F67-7	Spring, Auxiliary Lever			
18	681F37-8*	Lever, Hub			
19	688F03-8**	Retractor			
20	690F82-7	Spring, Retractor			
21	565F04-8**	Spring, Hub Lever			
22	688F14-8*	Lever, Cylinder Latch			

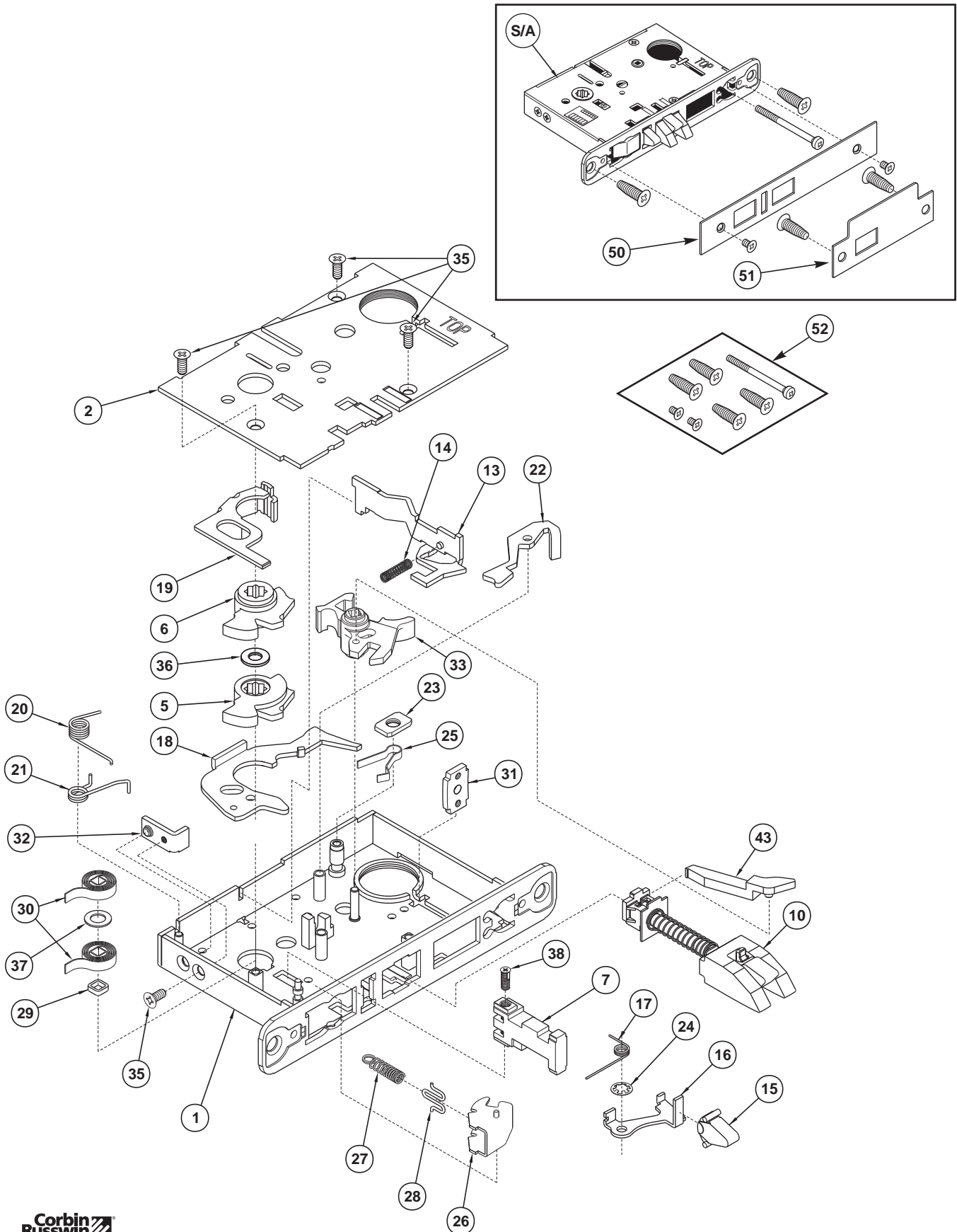
*For M26 Option, replace suffix "-8" with "-2".

**For M26 Option, replace suffix "-8" with "-7".

***For LHB Option.

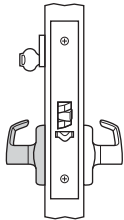


Entrance or Office





Storeroom or Closet



	For 1-3/4" Min. Doors			For 1-3/8" Doors
Type	Standard	Master Ring	Vandal Resistant	1" Front
Function	ML2057	MR Option	ML2057VR	D138 Option

ITEM	PART NO.	DESCRIPTION	ITEM	PART NO.	DESCRIPTION
S/A		Lever Lock Body (No Cylinder or Trim) for Standard 700F09-8* 700F19-8* 710F09-8* 778F09-8* 778F19-8 703F09-8* D138 Option MR Option Latch Hold Back Option LHB x D138 Vandal Resistant	21	565F04-8**	Spring, Hub Lever
1	687F53-8* 687F54-8 687F58-8*	Case & Front Sub Assembly for Standard D138 Option MR Option	22	688F14-8*	Lever, Cylinder Latch
2	700F27-8* 701F57-8*	Cap, Case for Standard MR Option	23	681F48-9	Stop, Cylinder Latch Lever
5	684F10-8** 684F10-7	Hub (Case Side) Standard Vandal Resistant	24	436F17-7	Ring, Retaining
6	684F09-8** 684F09-7	Hub (Cap Side) Standard Vandal Resistant	25	685F38-7***	Spring, Stop
7	684F05-5	Stop	29	466F22-9	Spacer
8	684F55-9	Stop, Fixed	30	404F85-8**	Spring, Lever Return
10	688F17-7	Latchbolt Sub Assembly	31	402F73-8*	Bracket, Cylinder Set Screw
13	624F48-8*	Lever, Deadlocking	32	404F86-8*	Bracket, Align
14	700F90-7	Spring, Deadlocking Lever	33	701F70-5***	Lever, Stop Cylinder
15	403F67-7	Latch, Auxiliary	35	684F18-8**	Screw, FHUM-PH-TITE #8-32 x 3/8"
16	678F54-8*	Lever, Auxiliary	36	684F11-9	Spacer, Hub
17	678F67-7	Spring, Auxiliary Lever	37	684F12-9	Spacer, Spring
18	681F37-8*	Lever, Hub	38	684F06-7	Screw, Stop
19	688F03-8**	Retractor	43	701F56-5***	Lever, Hold Back
20	690F82-7	Spring, Retractor	50	<i>Specify Finish</i> 624F49 624F53 681F34 681F35	Armored Front for Standard D138 Option LHB Standard LHB x D138
			51	236L73 018	Std. Strike (See page 74 for options)
			52	<i>Specify Finish</i> 429F41 488F09 465F57 616F12	Mortise Lock Mounting Packet for Standard MR Option Vandal Resistant & M04 MR x M04 (See page 106 for packet descriptions)

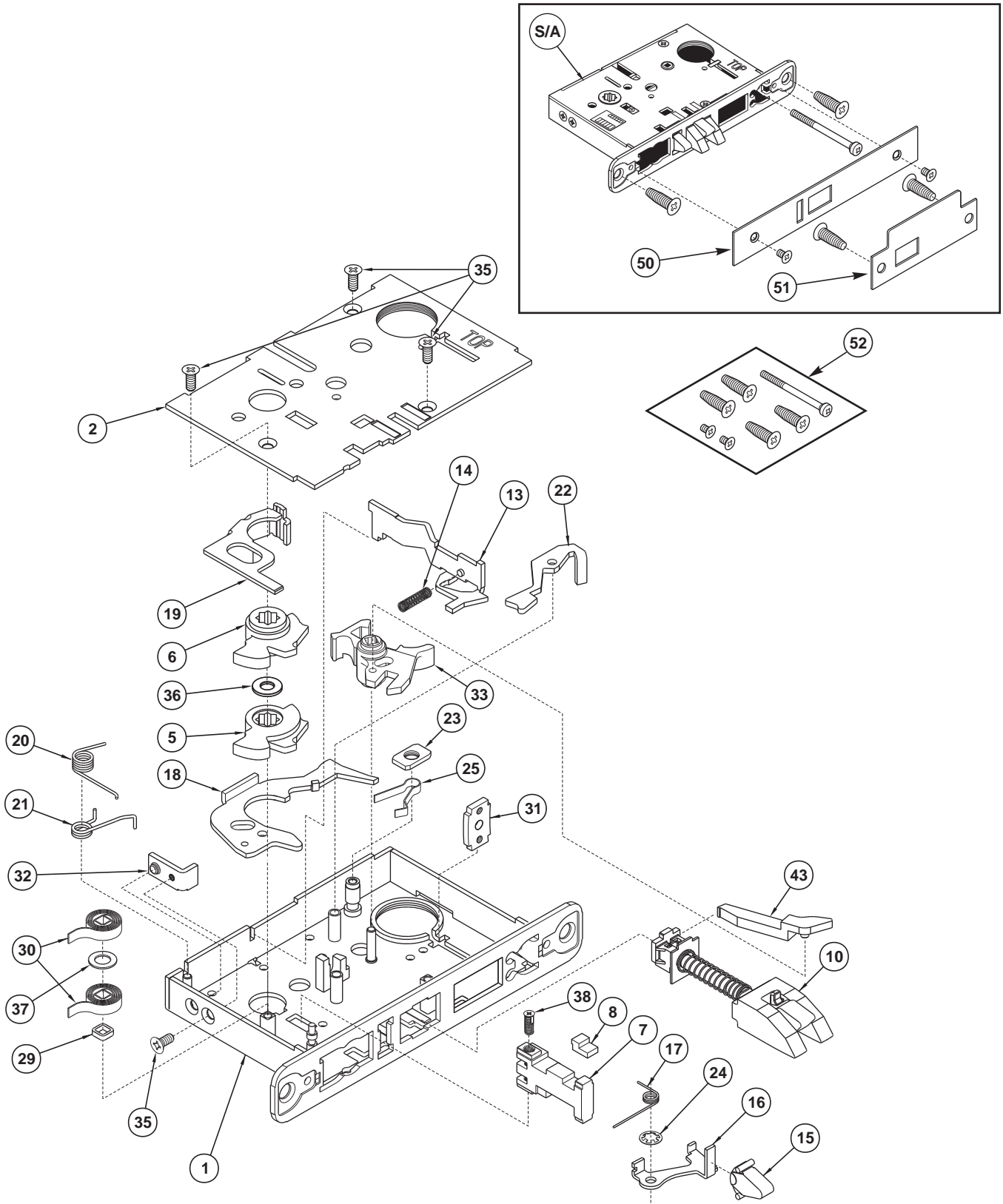
*For M26 Option, replace suffix "-8" with "-2".

**For M26 Option, replace suffix "-8" with "-7".

***For LHB Option.

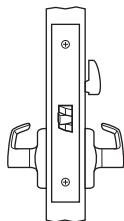


Storeroom or Closet





Privacy



	For 1-3/4" Min. Doors			For 1-3/8" Doors
Type	Standard	Master Ring	Vandal Resistant	1" Front
Function	ML2060	-----	ML2060VR	D138 Option

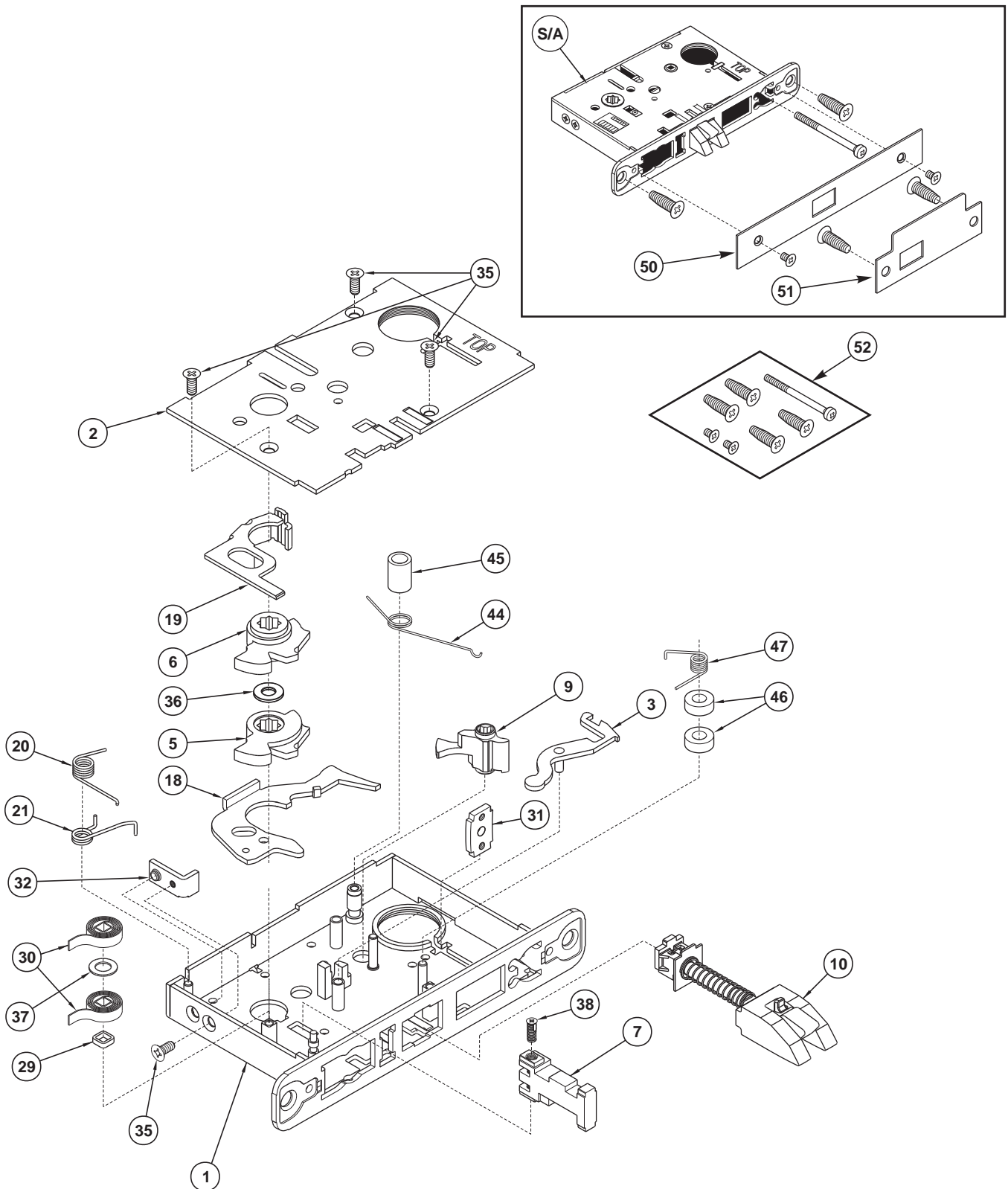
ITEM	PART NO.	DESCRIPTION
S/A	700F76-8* 700F77-8* 703F76-8*	Lever Lock Body (No Cylinder or Trim) for Standard D138 Option Vandal Resistant
1	687F55-8* 687F56-8*	Case & Front Sub Assembly for Standard D138 Option
2	700F27-8*	Cap, Case
3	682F01-8	Lever Sub Assembly, Stop
5	684F10-8** 684F10-7	Hub (Case Side) Standard Vandal Resistant
6	684F09-8** 684F09-7	Hub (Cad Side) Standard Vandal Resistant
7	684F05-5	Stop
9	624F44-5	Hub, Turnpiece
10	688F17-7	Latchbolt Sub Assembly
18	681F37-8*	Lever, Hub
19	688F03-8**	Retractor
20	690F82-7	Spring, Retractor
21	565F04-8**	Spring, Hub Lever
29	466F22-9	Spacer

ITEM	PART NO.	DESCRIPTION
30	404F85-8**	Spring, Lever Return
31	402F73-8*	Bracket, Cylinder Set Screw
32	404F86-8*	Bracket, Align
35	684F18-8**	Screw, FHUM-PH-TITE #8-32 x 3/8"
36	684F11-9	Spacer, Hub
37	684F12-9	Spacer, Spring
38	684F06-7	Screw, Stop
39	468F32-9	Label, Operator/Date
40	388F01-9	Label, UL
41	685F17-9	Label, Identification
44	624F42-7	Spring
45	624F43-9	Spacer
46	624F44-9	Spacer
47	688F01-7	Spring, Kickoff
50	<i>Specify Finish</i> 423F55 423F58	Armored Front for Standard D138 Option
51	236L73 018	Std. Strike (See page 74 for options)
52	<i>Specify Finish</i> 429F41 465F57	Mortise Lock Mounting Packet for Standard Vandal Resistant & M04 (See page 106 for packet descriptions)

*For M26 Option, replace suffix "-8" with "-2".
 **For M26 Option, replace suffix "-8" with "-7".

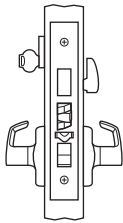


Privacy





Apartment or Dormitory



	For 1-3/4" Min. Doors			For 1-3/8" Doors
Type	Standard	Master Ring	Vandal Resistant	1" Front
Function	ML2067	MR Option	ML2067VR	D138 Option

ITEM	PART NO.	DESCRIPTION
S/A	700F01-8* 700F11-8* 710F01-8* 703F01-8*	Lever Lock Body (No Cylinder or Trim) for Standard D138 Option MR Option Vandal Resistant
1	687F53-8* 687F54-8 687F58-8*	Case & Front Sub Assembly for Standard D138 Option MR Option
2	700F27-8* 701F57-8	Cap, Case for Standard MR Option
3	700F74-8	Lever, Stop
5	684F10-8** 684F10-7	Hub (Case Side) Standard Vandal Resistant
6	684F09-8** 684F09-7	Hub (Cap Side) Standard Vandal Resistant
7	684F05-5	Stop
9	700F23-8* 700F31-5	Hub, Turnpiece for Standard MR Option
10	688F17-7	Latchbolt Sub Assembly
11	702F98-7	Deadbolt
12	701F22-8	Spring, Deadbolt
13	602F19-8*	Lever, Deadlocking
14	700F90-7	Spring, Deadlocking Lever
15	403F67-7	Latch, Auxiliary
16	678F54-8*	Lever, Auxiliary
17	678F67-7	Spring, Auxiliary Lever
18	681F36-8*	Lever, Hub

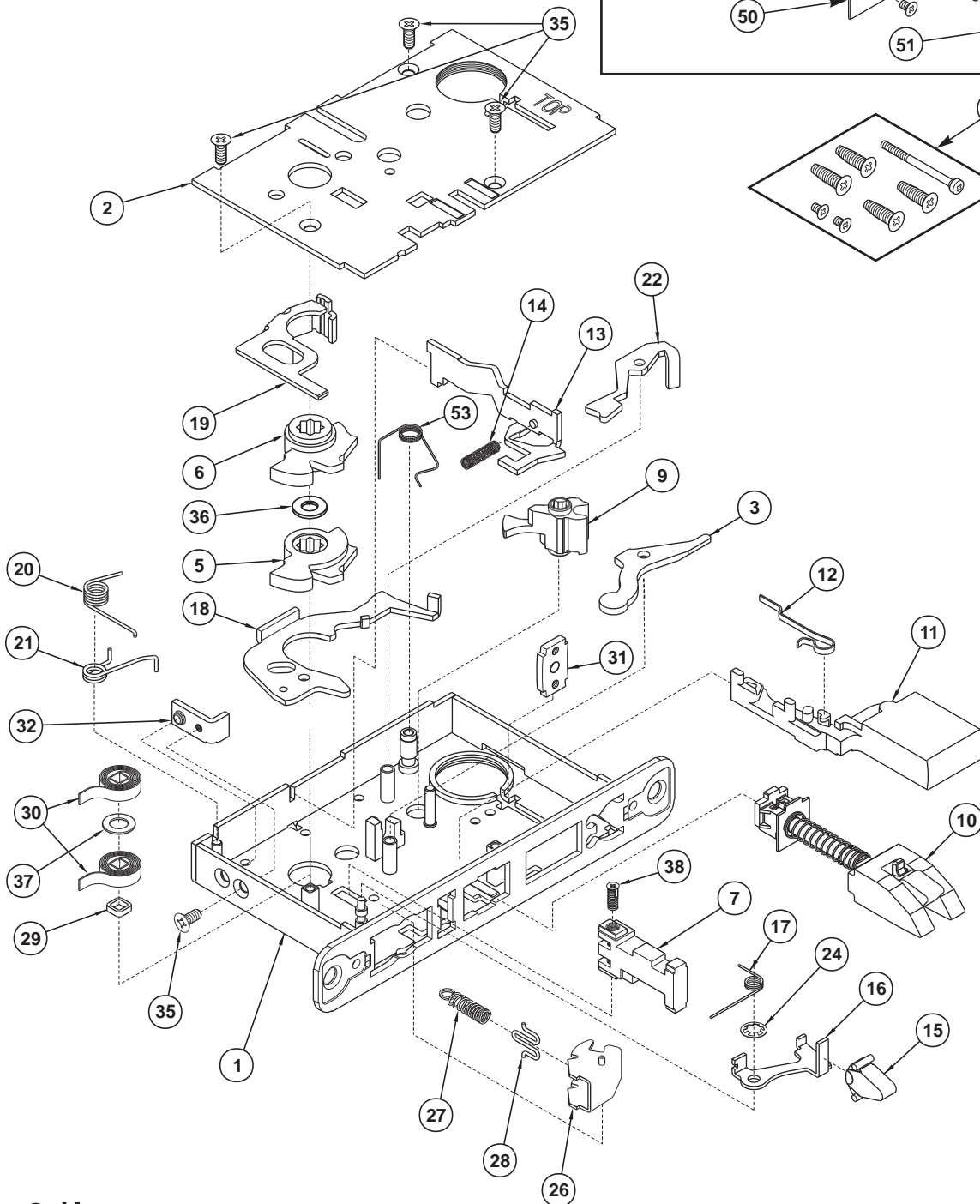
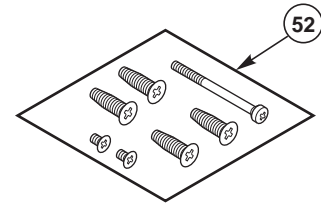
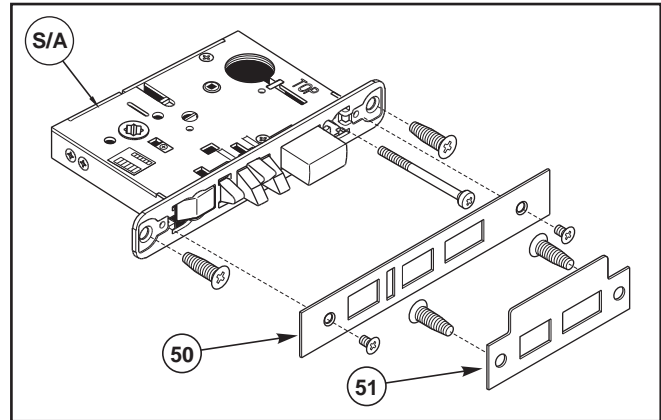
ITEM	PART NO.	DESCRIPTION
19	688F03-8**	Retractor
20	690F82-7	Spring, Retractor
21	565F04-8**	Spring, Hub Lever
22	688F14-8*	Lever, Cylinder Latch
24	436F17-7	Ring, Retaining
26	461F01-2	Toggle Sub Assembly
27	402F63-7	Spring, Toggle
28	402F61-7	Spring, Seat
29	466F22-9	Spacer
30	404F85-8**	Spring, Lever Return
31	402F73-8*	Bracket, Cylinder Set Screw
32	404F86-8*	Bracket, Align
35	684F18-8**	Screw, FHUM-PH-TITE #8-32 x 3/8"
36	684F11-9	Spacer, Hub
37	684F12-9	Spacer, Spring
38	684F06-7	Screw, Stop
50	<i>Specify Finish</i> 402F29 402F33	Armored Front for Standard D138 Option
51	236L72 018	Std. Strike (See page 74 for options)
52	<i>Specify Finish</i> 429F41 488F09 465F57 616F12	Mortise Lock Mounting Packet for Standard MR Option Vandal Resistant & M04 MR x M04 (See page 106 for packet descriptions)
53	700F95-7	Spring, Latch Lever

*For M26 Option, replace suffix "-8" with "-2".

**For M26 Option, replace suffix "-8" with "-7".

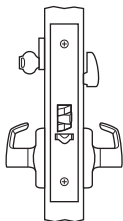


Apartment or Dormitory





Institutional Privacy



	For 1-3/4" Min. Doors			For 1-3/8" Doors
Type	Standard	Master Ring	Vandal Resistant	1" Front
Function	ML2069	-----	ML2069VR	D138 Option

ITEM	PART NO.	DESCRIPTION
S/A	700F51-8* 700F58-8* 703F51-8*	Lever Lock Body (No Cylinder or Trim) for Standard D138 Option Vandal Resistant
1	687F55-8* 687F56-8*	Case & Front Sub Assembly for Standard D138 Option
2	700F27-8*	Cap, Case
3	624F47-8*	Lever Sub Assembly, Stop
5	684F10-8** 684F10-7	Hub (Case Side) Standard Vandal Resistant
6	684F09-8** 684F09-7	Hub (Cap Side) Standard Vandal Resistant
7	684F05-5	Stop
9	624F44-5	Hub, Turnpiece
10	688F17-7	Latchbolt Sub Assembly
13	624F48-8*	Lever, Deadlocking
14	700F90-7	Spring, Deadlocking Lever
15	403F67-7	Latch, Auxiliary
16	678F54-8*	Lever, Auxiliary
17	678F67-7	Spring, Auxiliary Lever
18	681F37-8*	Lever, Hub
19	688F03-8**	Retractor
20	690F82-7	Spring, Retractor

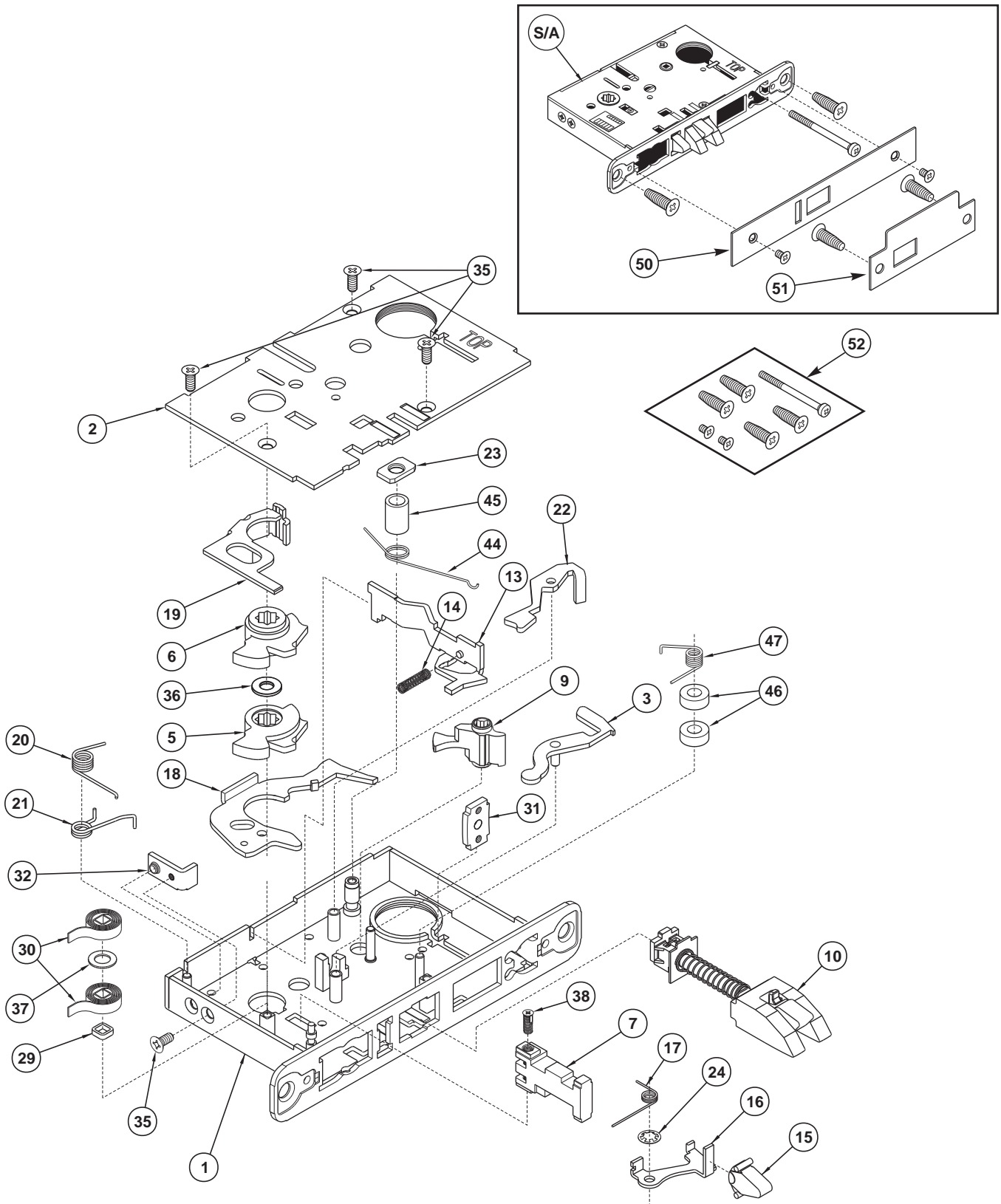
ITEM	PART NO.	DESCRIPTION
21	565F04-8**	Spring, Hub Lever
22	688F14-8*	Lever, Cylinder Latch
23	681F48-9	Stop, Cylinder Latch Lever
24	436F17-7	Ring, Retaining
29	466F22-9	Spacer
30	404F85-8**	Spring, Lever Return
31	402F73-8*	Bracket, Cylinder Set Screw
32	404F86-8*	Bracket, Align
35	684F18-8**	Screw, FHUM-PH-TITE #8-32 x 3/8"
36	684F11-9	Spacer, Hub
37	684F12-9	Spacer, Spring
38	684F06-7	Screw, Stop
44	624F42-7	Spring
45	624F43-9	Spacer
46	624F44-9	Spacer
47	688F01-7	Spring, Kickoff
50	<i>Specify Finish</i> 624F49 624F53 465F57	Armored Front for Standard D138 Option Vandal Resistant
51	236L73 018	Std. Strike (See page 74 for options)
52	<i>Specify Finish</i> 429F41 465F57	Mortise Lock Mounting Packet Vandal Resistant & M04 (See page 106 for packet descriptions)

*For M26 Option, replace suffix "-8" with "-2".

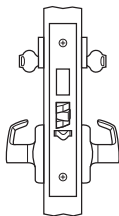
**For M26 Option, replace suffix "-8" with "-7".



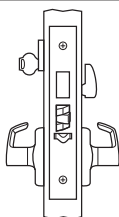
Institution Privacy



Classroom Security



	For 1-3/4" Min. Doors			For 1-3/8" Doors
Type	Standard	Master Ring	Vandal Resistant	1" Front
Function	ML2072	MR Option	ML2072VR	D138 Option

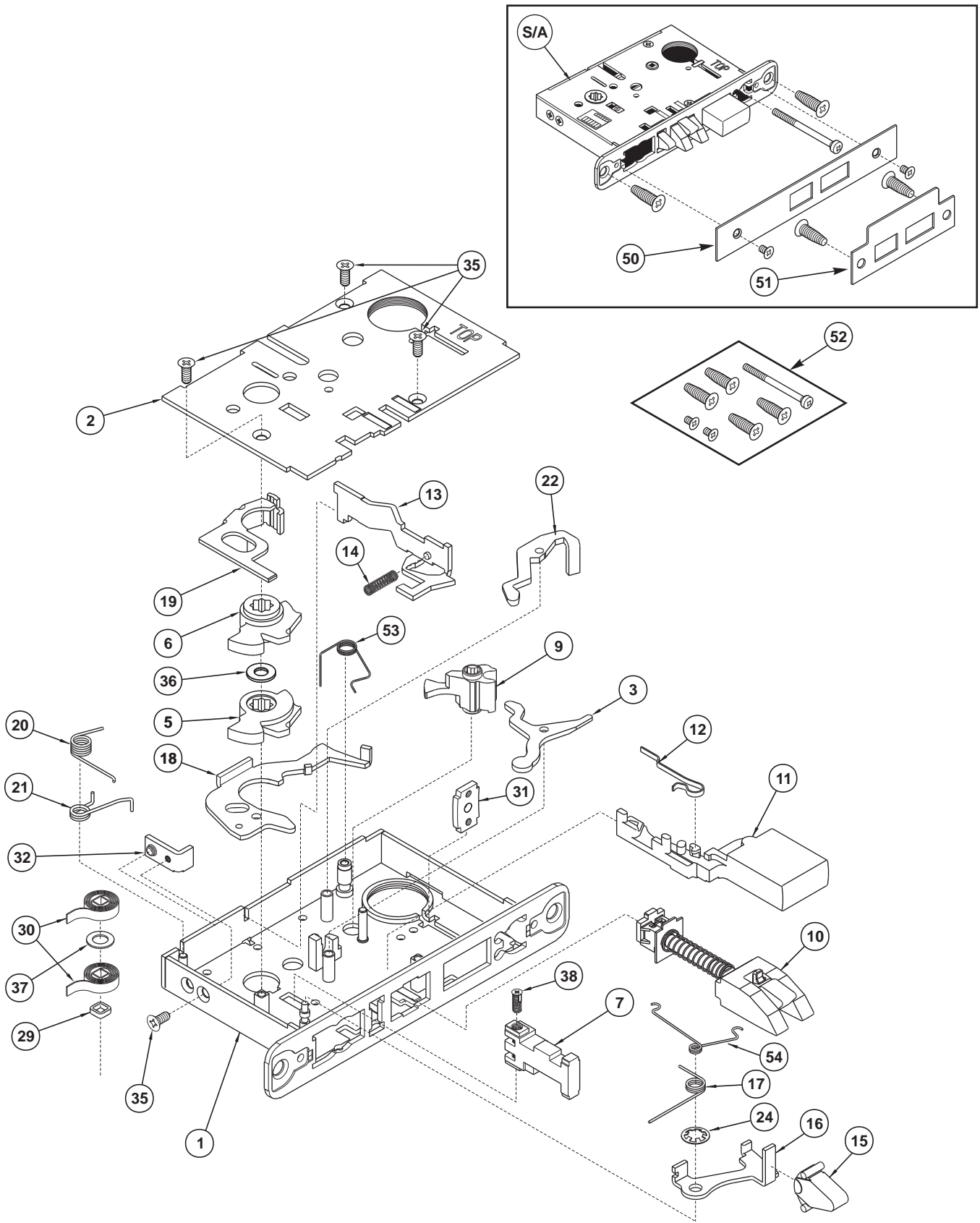


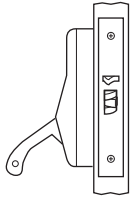
	For 1-3/4" Min. Doors			For 1-3/8" Doors
Type	Standard	Master Ring	Vandal Resistant	1" Front
Function	ML2075	MR Option	ML2075VR	D138 Option

ITEM	PART NO.	DESCRIPTION	ITEM	PART NO.	DESCRIPTION
S/A	700F75-8* 700F85-8* 710F75-8 703F75-8*	Lever Lock Body (No Cylinder or Trim) for Standard D138 Option MR Option Vandal Resistant	20	690F82-7	Spring, Retractor
1	687F53-8* 687F54-8* 687F58-8*	Case & Front Sub Assembly for Standard D138 Option MR Option	21	565F04-8**	Spring, Hub Lever
2	700F27-8* 701F57-8*	Cap, Case Standard MR Option	22	700F22-8*	Lever, Cylinder Latch
3	700F25-8*	Lever, Stop	24	436F17-7	Ring, Retaining
5	684F10-8** 684F10-7	Hub (Case Side) Standard Vandal Resistant	29	466F22-9	Spacer
6	684F09-8** 684F09-7	Hub (Cap Side) Standard Vandal Resistant	30	404F85-8**	Spring, Lever Return
7	684F05-5	Stop	31	402F73-8*	Bracket, Cylinder Set Screw
9	700F23-5	Hub, Turnpiece	32	404F86-8*	Bracket, Align
10	688F17-7	Latchbolt Sub Assembly	35	684F18-8**	Screw, FHUM-PH-TITE #8-32 x 3/8"
11	702F98-7	Deadbolt	36	684F11-9	Spacer, Hub
12	701F22-8	Spring, Deadbolt	37	684F12-9	Spacer, Spring
13	700F21-8*	Lever, Deadlocking	38	684F06-7	Screw, Stop
14	700F90-7	Spring, Deadlocking Lever	50	<i>Specify Finish</i> 402F30 402F34	Armored Front for Standard D138 Option
15	403F67-7	Latch, Auxiliary	51	<i>Specify Finish</i>	Strike (See page 74 for listing)
16	678F54-8*	Lever, Auxiliary	52	<i>Specify Finish</i> 429F41 488F09 465F57 616F12	Mortise Lock Mounting Packet for Standard MR Option Vandal Resistant & M04 MR x M04 (See page 106 for packet descriptions) (NOTE: For double cylinder functions an additional cylinder set screw is required.) Cylinder Set Screw For Standard & Vandal Resistant MR Option
17	678F67-7	Spring, Auxiliary Lever	53	700F95-7	Spring, Latch Lever
18	681F37-8*	Lever, Hub	54	703F99-7	Spring, Stop
19	688F03-8**	Retractor			

*For M26 Option, replace suffix "-8" with "-2".
**For M26 Option, replace suffix "-8" with "-7".

Classroom Security



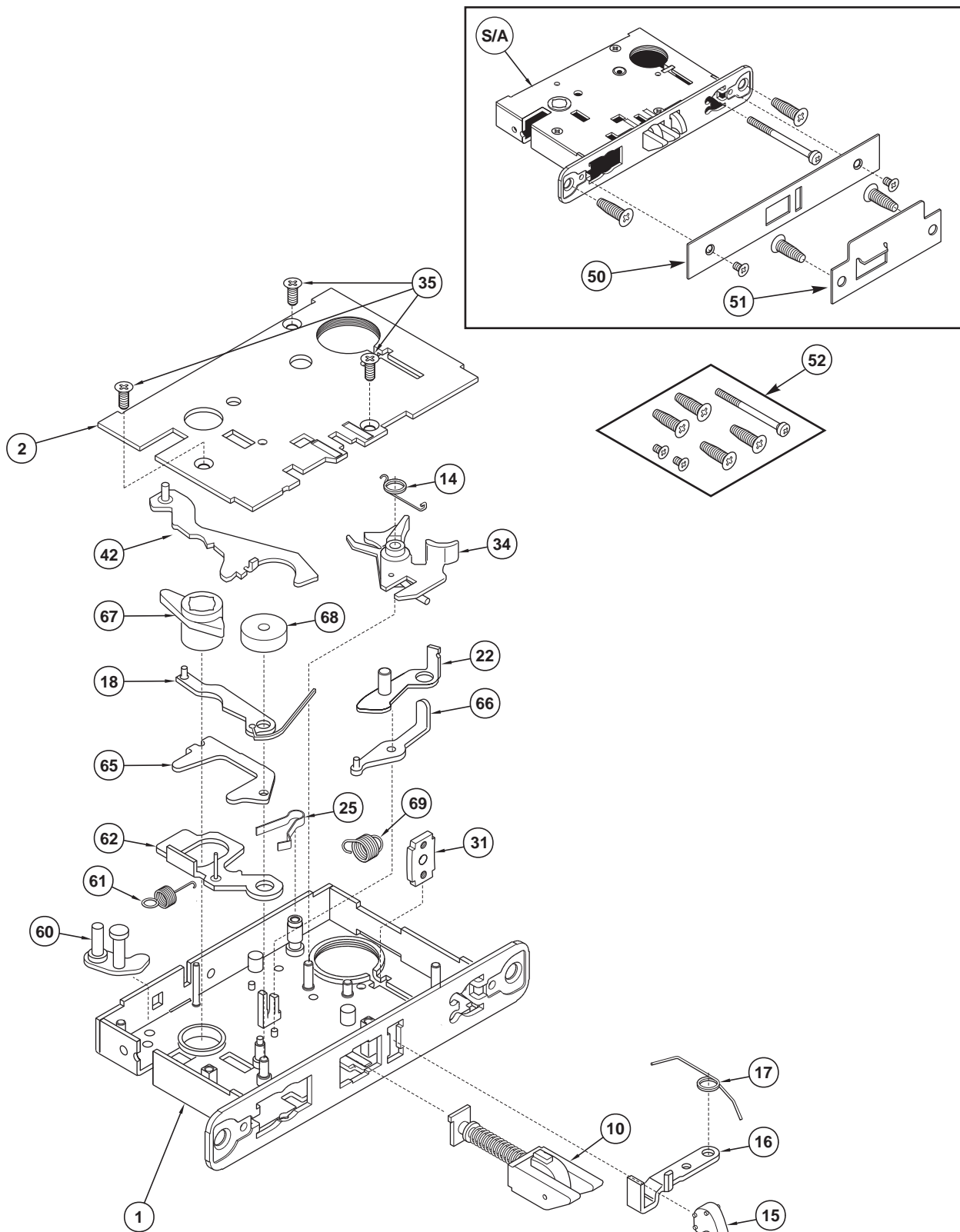


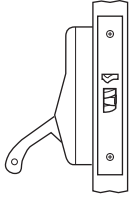
NOTE:
MLE03 (no trim)
function side view
shown as example.

Exit Device Series	ED6600	To Support Discontinued Double Cyl. Devices	
		Corbin Russwin	3126-1/2 796-1/2
Number of Mortise Lock Body	MLE03	MLE04	MLE05

ITEM	PART NO.	DESCRIPTION
S/A	424F50-8 424F52-8	Crossbar Lock Body (No Cylinder or Trim) for MLE03 & MLE04 MLE05
1	535F05-8	Case & Front Sub Assembly
2	424F37-8	Cap, Case
10	467F18-8	Latchbolt
14	236F17-8	Spring, Locking Lever
15	402F93-7	Latch, 5/16" Auxiliary
16	426F47-8	Lever, Auxiliary Latch
17	426F48-8	Spring, Auxiliary Latch Lever
18	424F34-8	Lever, Hub
22	362F06-8	Lever, Cylinder Latch
25	685F38-7	Spring, Stopworks
31	402F73-8	Bracket, Cylinder Set Screw
34	398F14-9 398F15-9 398F16-9	Lever, Hold Back, for MLE03 & MLE04 MLE05 - RHR MLE05 - LHR

ITEM	PART NO.	DESCRIPTION
35	684F18-8	Screw, FHUM-PH-TITE #8-32 x 3/8"
42	466F86-8	Lever, Locking
50	<i>Specify Finish</i> 611F20	Armored Front
51	<i>Specify Finish</i>	Strike (See page 74 for listing)
52	<i>Specify Finish</i> 429F41	Mortise Lock Mounting Packet for Standard (See page 106 for packet descriptions)
60	483F43-8	Lever, Latch
61	363F52-8	Spring, Thumbturn Lever
62	424F33-8	Lever, Thumbturn
65	345F52-8	Lever, Thumbturn Latch
66	345F53-8	Lever, Connecting
67	379F51-8	Hub
68	424F13-8	Washer, Hold
69	132F89-3	Spring



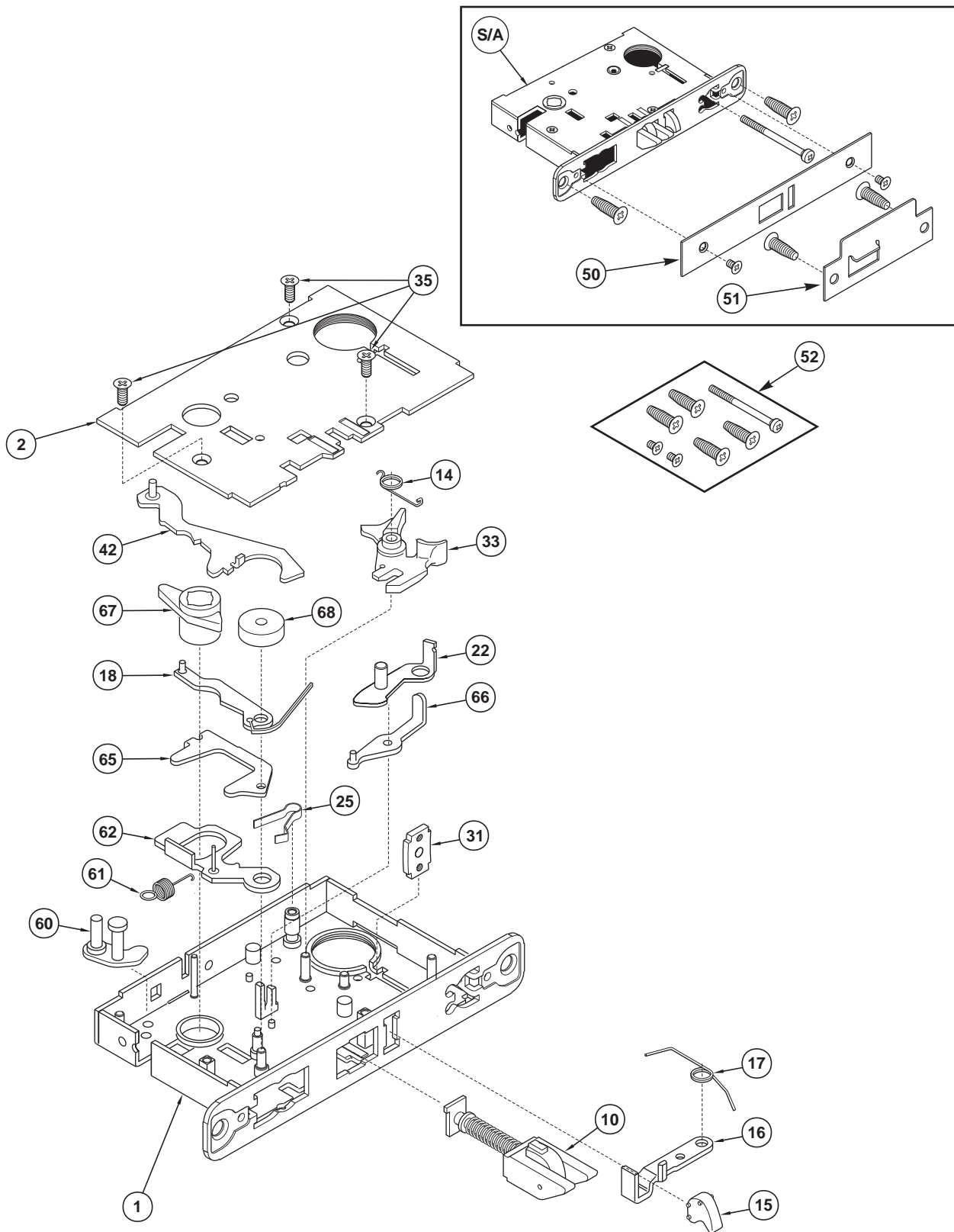


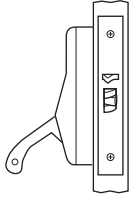
NOTE:
MLE06 (no trim)
function side view
shown as example.

Exit Device Series	ED6600A	To Support Discontinued Double Cyl. Devices	
		Corbin	3126-1/2U
		Ruswin	U796-1/2
Number of Mortise Lock Body	MLE06	MLE07	

ITEM	PART NO.	DESCRIPTION
S/A	<i>Specify Hand</i> 424F51-8	Crossbar Lock Body (No Cylinder or Trim)
1	535F05-8	Case & Front Sub Assembly
2	424F37-8	Cap, Case
10	467F18-26	Latchbolt
14	236F17-8	Spring, Locking Lever
15	402F93-7	Latch, 5/16" Auxiliary
16	426F47-8	Lever, Auxiliary Latch
17	426F48-8	Spring, Auxiliary Lever
18	424F34-8	Lever, Hub
22	362F06-8	Lever, Cylinder Latch
25	685F38-7	Spring, Stopworks
31	402F73-8	Bracket, Cylinder Set Screw
33	397F35-9	Lever, Cylinder Stop

ITEM	PART NO.	DESCRIPTION
35	684F18-8	Screw, FHUM-PH-TITE #8-32 x 3/8"
42	466F86-8	Lever, Locking
50	<i>Specify Finish</i> 611F20	Armored Front
51	405L14 018	Std. Strike (See page 74 for parts listing)
52	<i>Specify Finish</i> 429F41	Mortise Lock Mounting Packet (See page 106 for packet descriptions)
60	483F43-8	Lever, Latch
61	363F52-8	Spring, Thumbturn Lever
62	424F33-8	Lever, Thumbturn
65	345F52-8	Lever, Thumbturn Latch
66	345F53-8	Lever, Connecting
67	379F51-8	Hub
68	424F13-8	Washer, Hold



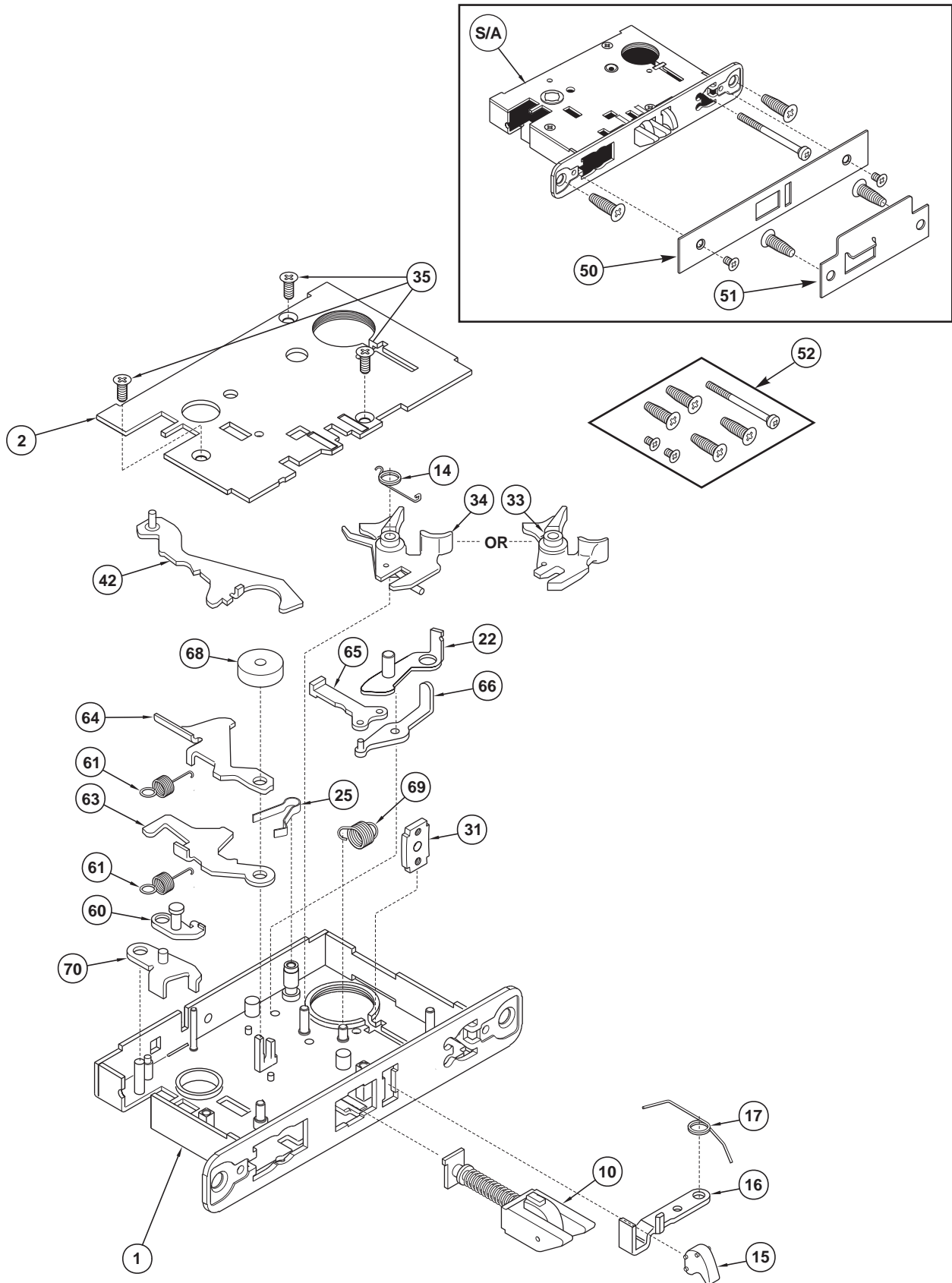


NOTE:
MLE08 (no trim)
function side view
shown as example.

Exit Device Series	ED7600	ED7600A
Number of Mortise Lock Body	MLE08	MLE09

ITEM	PART NO.	DESCRIPTION
S/A	424F42-8 424F43-8	Crossbar Lock Body (No Cylinder or Trim) for MLE08 MLE09
1	535F19-8	Case & Front Sub Assembly
2	424F36-8	Cap, Case
10	467F18-8	Latchbolt
14	236F17-8	Spring, Locking Lever
15	402F93-7	Latch, 5/16" Auxiliary
16	426F47-8	Lever, Auxiliary Latch
17	426F48-8	Spring, Auxiliary Latch Lever
22	362F06-8	Lever, Cylinder Latch
25	685F38-7	Spring, Stopworks
31	402F73-8	Bracket, Cylinder Set Screw
33	397F35-9	Lever, Cylinder Stop, for MLE09
34	398F14-9	Lever, Hold Back, for MLE08
35	684F18-8	Screw, FHUM-PH-TITE #8-32 x 3/8"

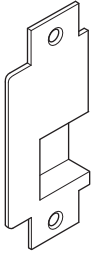
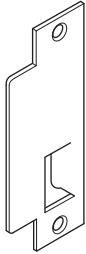
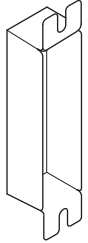
ITEM	PART NO.	DESCRIPTION
42	466F86-8	Lever, Locking
50	<i>Specify Finish</i> 611F20	Armored Front
51	405L14 018	Std. Strike (See page 74 for listing)
52	<i>Specify Finish</i> 429F41	Mortise Lock Mounting Packet (See page 106 for packet descriptions)
60	424F35-8	Lever, Latch
61	363F52-8	Spring, Thumbturn Lever
63	440F72-8	Lever, Bottom Thumbturn
64	440F73-8	Lever, Top Thumbturn
65	363F34-8	Lever, Thumbturn Latch
66	345F53-8	Lever, Connecting
68	424F13-8	Washer, Hold
69	132F89-3	Spring
70	424F32-8	Lever, Auxiliary



(Specify Finish)

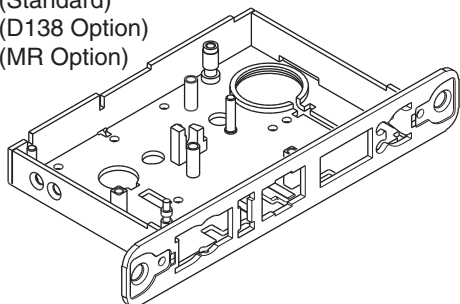
Lip Length	LATCHBOLT & DEADBOLT			LATCHBOLT			DEADBOLT	FILLER PLATE
	Straight Lip	Curved Lip RH	Curved Lip LH	Straight Lip	Curved Lip RH	Curved Lip LH	Straight Lip	Straight Lip
7/8"	236L72014	-----	-----	236L73014	-----	-----	236L74014	-----
1"	236L72016	-----	-----	236L73016	-----	-----	236L74016	236L70016
1-1/8"	236L72018	340L60018	340L61018	236L73018	340L62018	340L63018	236L74018	236L70018
1-1/4"	236L72020	340L60020	340L61020	236L73020	340L62020	340L63020	236L74020	236L70020
1-3/8"	236L72022	340L60022	340L61022	236L73022	340L62022	340L63022	236L74022	236L70022
1-1/2"	236L72024	340L60024	340L61024	236L73024	340L62024	340L63024	236L74024	236L70024
1-3/4"	236L72028	340L60028	340L61028	236L73028	340L62028	340L63028	236L74028	236L70028
2"	236L72032	340L60032	340L61032	236L73032	340L62032	340L63032	236L74032	236L70032
2-1/4"	236L72036	340L60036	340L61036	236L73036	340L62036	340L63036	236L74036	236L70036
2-1/2"	236L72040	340L60040	340L61040	236L73040	340L62040	340L63040	236L74040	236L70040
2-3/4"	236L72044	340L60044	340L61044	236L73044	340L62044	340L63044	236L74044	236L70044
3"	236L72048	340L60048	340L61048	236L73048	340L62048	340L63048	236L74048	236L70048

NOTE: On Curved Lip Strikes, the lip length will always be 1/8" longer than the lip length of Straight Lip Strikes for the same door thickness. Example: for 1-3/4" door thickness order Straight Lip Strike in 1-1/8" lip length (236L72018) or Curved Lip Strike in 1-1/4" lip length (340L60020).

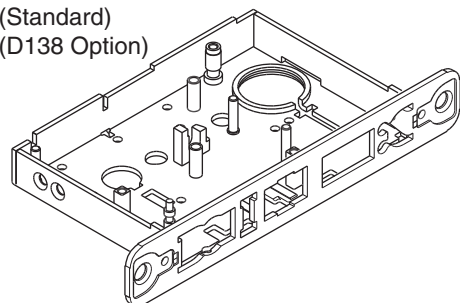
OPEN BACK STRIKE			EXIT DEVICE STRIKE			WROUGHT BOX
						 120F76-8
Door Thickness	LHR	RHR	Lip Length	LHR	RHR	Wrought Box is available for all ANSI standardized strikes.
1-3/4" (016)	411L63016	411L63016	1-1/8"	405L148018	405L148018	
2" (018)	411L63018	411L63018	1-1/4"	405L148020	405L148020	
2-1/4" (020)	411L63020	411L63020	1-3/8"	405L148022	405L148022	

1 Case & Front Sub Assembly

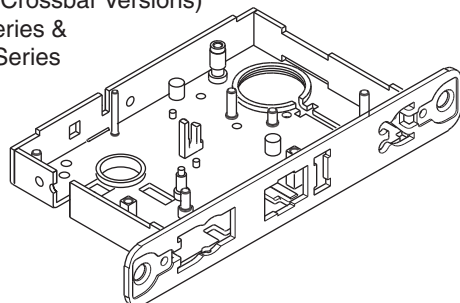
687F53-8* (Standard)
 687F54-8 (D138 Option)
 687F58-8 (MR Option)



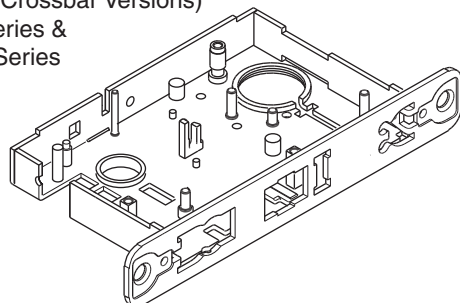
687F55-8* (Standard)
 687F56-8 (D138 Option)



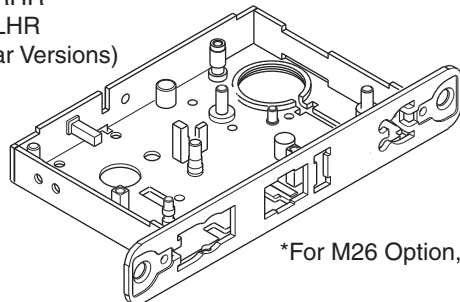
535F05-8 (Crossbar Versions)
 ED6600 Series &
 ED6600A Series



535F19-8 (Crossbar Versions)
 ED7600 Series &
 ED7600A Series

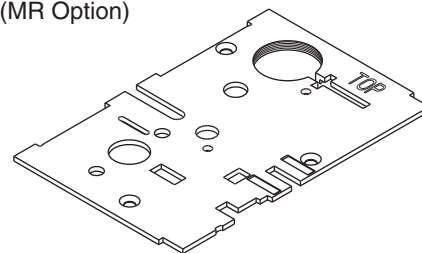


547F46-8 RHR
 547F47-8 LHR
 (All Pushbar Versions)

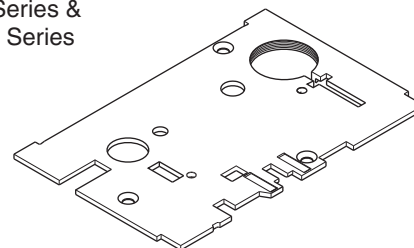


2 Case Caps

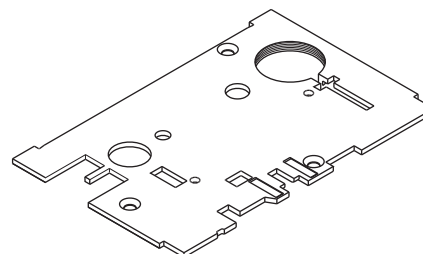
700F27-8* (Standard & HS)
 700F57-8* (MR Option)



424F37-8 (Crossbar Versions)
 ED6600 Series &
 ED6600A Series



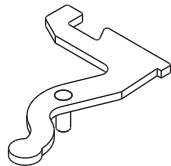
424F36-8 (Crossbar Versions)
 ED7600 Series &
 ED7600A Series



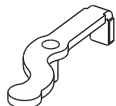
*For M26 Option, replace suffix "-8" with "-2".

3 Stop Levers

682F01-8 (Standard)



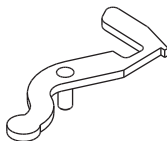
681F44-8 (Standard)
681F44-2 (M26 Option)
402F77-8 (Exit Device)



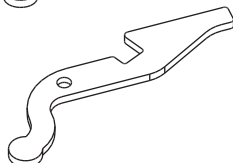
700F74-8 (Standard)
700F74-2 (M26 Option)



624F47-8 (Standard)
624F47-2 (M26 Option)



700F70-8 (Standard)
700F70-2 (M26 Option)

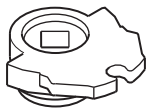
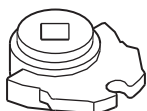


700F25-8 (Standard)
700F25-2 (M26 Option)



4 Knob Hub

684F14-7 (Standard)
683F33-7 (High Security)



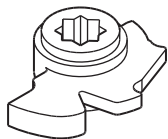
5 Hub (Case Side)

684F10-8 (Standard)
684F10-7 (M26 Option)(VR)



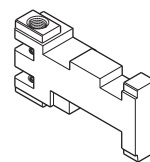
6 Hub (Cap Side)

684F09-8 (Standard)
684F09-7 (M26 Option)(VR)



7 Stop

684F05-5 (Standard)



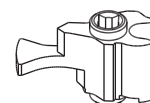
8 Fixed Stop

684F55-9

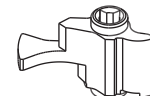


9 Turnpiece Hub

700F23-5 (Standard)
700F31-5 (MR Option)

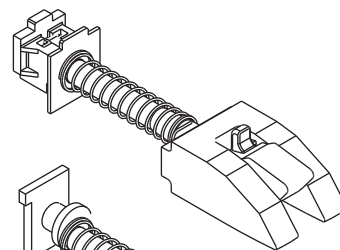


624F44-5

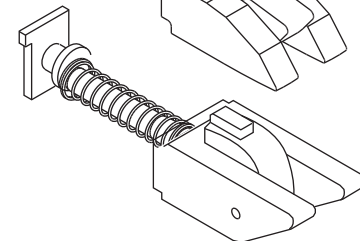


10 Latchbolt

688F17-7 (Standard)

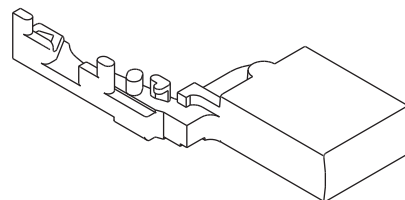


467F18-8 (Exit Device)



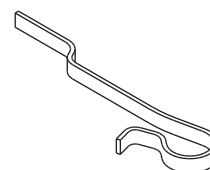
11 Deadbolt

702F98-7



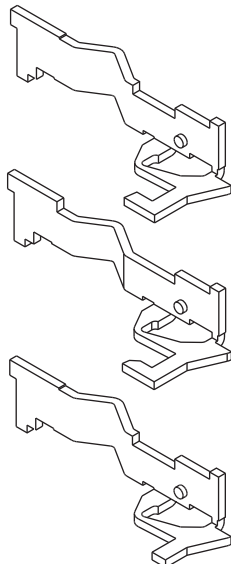
12 Deadbolt Spring

701F22-8



13 Deadlocking Lever

602F19-8 (Standard)
602F19-7 (M26 Option)



700F21-8 (Standard)
700F21-2 (M26 Option)

624F48-8 (Standard)
624F48-2 (M26 Option)

14 Deadlocking Lever Spring

700F90-7 (Standard)

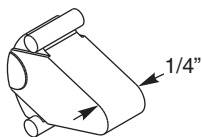


236F17-8 (Exit Device)

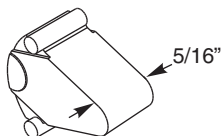


15 Auxiliary Latches

403F67-7 (Standard)

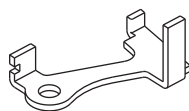


402F93-7 625(Exit Device)

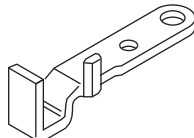


16 Auxiliary Levers

678F54-8 (Standard)
678F54-2 (M26 Option)

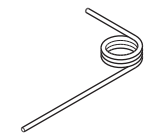


426F47-8 (Exit Device)

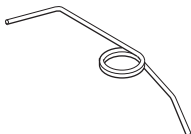


17 Auxiliary Lever Spring

678F67-7 (Standard)

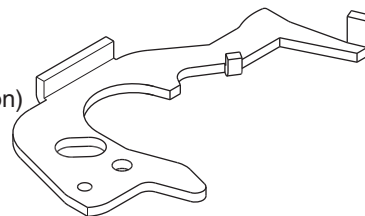


426F48-8 (Exit Device)

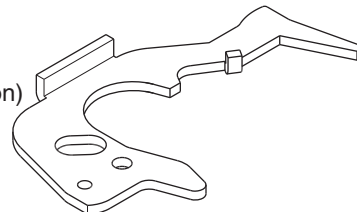


18 Hub Lever

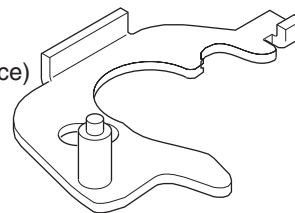
681F36-8 (Standard)
681F36-2 (M26 Option)



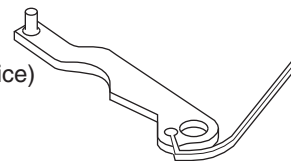
681F37-8 (Standard)
681F37-2 (M26 Option)



536F64-8 (Exit Device)

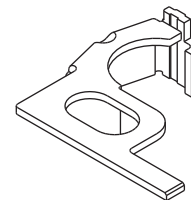


424F34-8 (Exit Device)



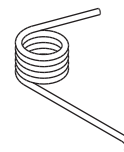
19 Retractor

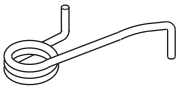
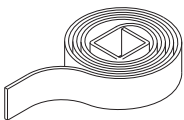
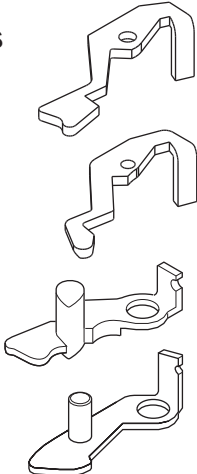
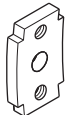


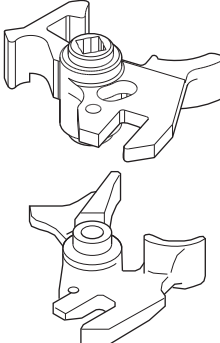

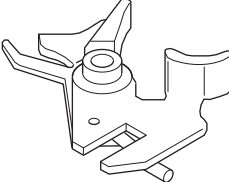
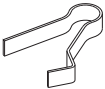

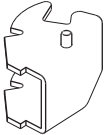

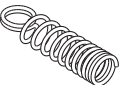



688F03-8 (Standard)
688F03-7 (M26 Option)



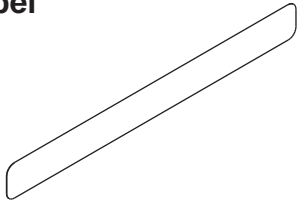
20 Retractor Spring

690F82-7 (Standard)

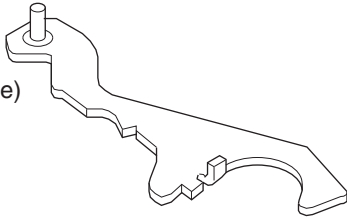


<p>21 Hub Lever Spring 565F04-8 (Standard) 565F04-7 (M26 Option)</p> 	<p>30 Lever Return Spring 404F85-8 (Standard) 404F85-7 (M26 Option)</p> 
<p>22 Cylinder Latch Levers 688F14-8 (Standard) 688F14-2 (M26 Option)</p> <p>700F22-8 (Standard) 700F22-2 (M26 Option)</p> <p>536F59-8 (Exit Device)</p> <p>362F06-8 (Exit Device)</p> 	<p>31 Cylinder Set Screw Bracket 402F73-8 (Standard) 402F73-2 (M26 Option)</p>  <p>32 Align Bracket 404F86-8 (Standard) 402F86-2 (M26 Option)</p> 
<p>23 Cylinder Latch Lever Stop 681F48-9 (Standard)</p> 	<p>33 Stop Cylinder Lever 701F70-5 (Standard)</p> <p>397F35-9 (Exit Device)</p> 
<p>24 Retaining Ring 436F17-7</p> 	<p>34 Holdback Lever 398F14-9 (Exit Device) 398F15-9 (Exit Device) 398F16-9 (Exit Device)</p> 
<p>25 Stop Spring 685F38-7 (Standard)</p> 	<p>35 Screw, FHUM-PH-TITE #8-32 x 3/8" 425F86-8 (Standard) 425F86-7 (M26 Option)</p> 
<p>26 Toggle Sub Assembly 461F01-7</p> 	<p>36 Hub Spacer 684F11-9 Lever x Lever Trim</p> 
<p>27 Toggle Spring 402F63-7</p> 	<p>37 Spring Spacer 684F12-9</p> 
<p>28 Seat Spring 402F61-7</p> 	<p>38 Stop Screw 684F06-7</p> 

41 Identification Label
685F17-9



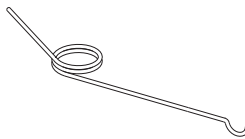
42 Locking Lever
466F86-8 (Exit Device)



43 Hold Back Lever
681F07-5



44 Spring
624F42-7




45 Spacer
624F43-9



46 Spacer
624F44-9



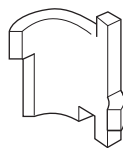
47 Spring, Kickoff
688F01-7



48 Spring
403F56-8 (Standard)
403F56-2 (M26 Option)



49 Lever, Locking
403F66-8



50 Armored Fronts
Specify Finish

For Deadbolt Only
079F00 Standard
079F02 D138 Option

For Deadbolt & Latchbolt
423F54 Standard
423F57 D138 Option

For Latchbolt Only
423F55 Standard
423F58 D138 Option

For Deadbolt, Latchbolt,
& Auxiliary Latch
402F30 Standard
402F34 D138 Option

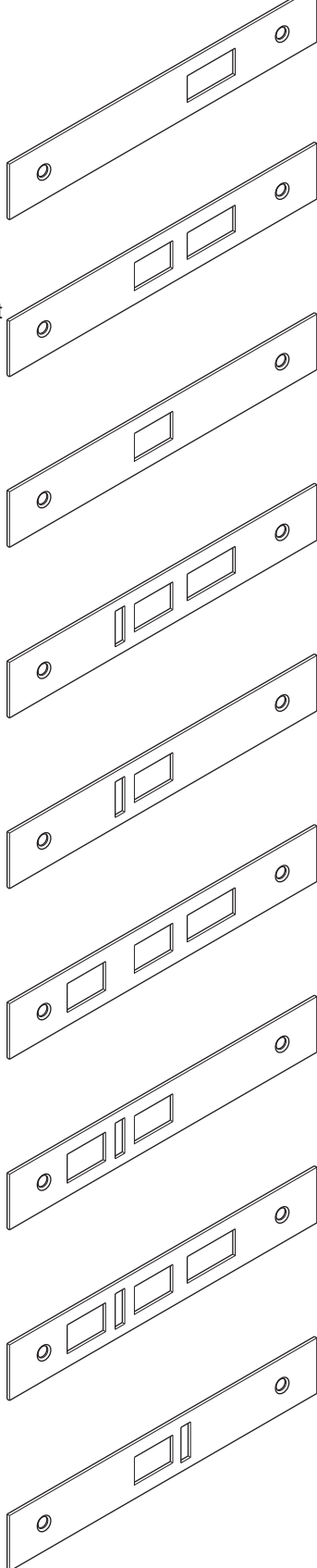
For Latchbolt &
Auxiliary Latch
624F49 Standard
624F53 D138 Option
681F34 LHB Std.
681F35 LHB x D138

For Deadbolt, Latchbolt,
& Toggle
402F31 Standard
402F35 D138 Option

For Latchbolt, Auxiliary
Latch, & Toggle
681F31 Standard
681F30 D138 Option
681F41 LHB Std.
681F40 LHB x D138

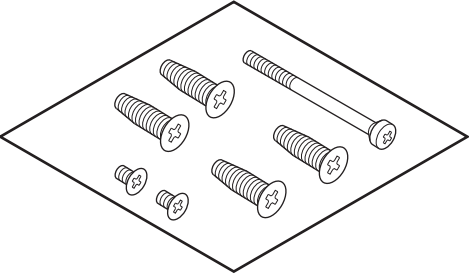
For Deadbolt, Latchbolt,
Auxiliary Latch, & Toggle
402F29 Standard
402F33 D138 Option

For Exit Devices
Latchbolt, &
Auxiliary Latch
611F20 Standard

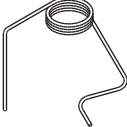


51 Strikes See Page 74.

52 Mounting Packet
 429F41 (Standard)
 488F09 (MR Option)
 465F57 (High Security, M04, Vandal Resistant)



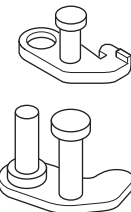
53 Spring, Latch Lever
 700F95-7




54 Spring, Stop
 703F99-7



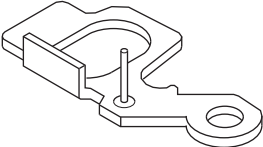
60 Latch Lever
 424F35-8 (Exit Device)
 483F43-8 (Exit Device)



61 Thumbturn Lever Spring
 363F52-8 (Exit Device)



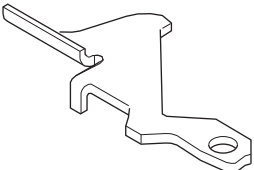
62 Thumbturn Lever
 424F33-8 (Exit Device)



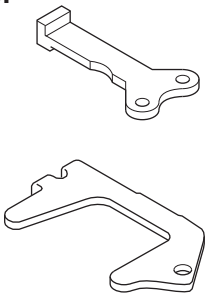
63 Bottom Thumbturn Lever
 440F72-8 (Exit Device)



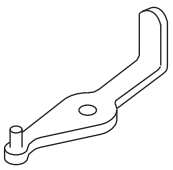
64 Top Thumbturn Lever
 440F73-8 (Exit Device)



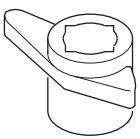
65 Thumbturn Latch Lever
 363F34-8 (Exit Device)
 345F52-8 (Exit Device)




66 Connecting Lever
 345F53-8 (Exit Device)



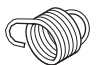
67 Hub
 379F51-8 (Exit Device)



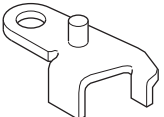
68 Hold Washer
 424F13-8 (Exit Device)



69 Spring
 132F89-3 (Exit Device)



70 Auxiliary Lever
 424F32-8 (Exit Device)



Trim Components	82
DESCRIPTION	
Lever x Wrought Escutcheon	82
Wrought Knob x Wrought Escutcheon	82
Lever x Cast Escutcheon	83
Vandal Resistant Lever Trim	83
Cast Knob x Cast Escutcheon	84
Lever x Rose	84
Wrought Knob x Rose	85
Cast Knob x Rose	85
Half Trim - Lever x Escutcheon	86
Half Trim - Wrought Knob x Escutcheon	86
Half Trim - Cast Knob x Escutcheon	86
Half Trim - Lever x Rose	87
Half Trim - Wrought Knob x Rose	87
Half Trim - Cast Knob x Rose	87
Inside Levers & Outside Lever & Spindle Assemblies	88
Inside Knobs & Outside Knob & Spindle Assemblies	92
Escutcheons	94
DESIGN	
M Escutcheon	94
N Escutcheon	95
P Escutcheon	96
R Escutcheon	97
T Escutcheon	98
L Escutcheon	99
V Escutcheon	100
Rose & Thimble Packets	101
Adapter Packets	102
Spindle Component Parts	105
Spindles	105
Screws & Screw Packets	106
Mortise Lock Conversion Kit	106
Miscellaneous Parts	107
Cylinders	108
Cylinder Collars	108
ML2000 Hand Reversing Instructions	111

Lever x Wrought Escutcheon

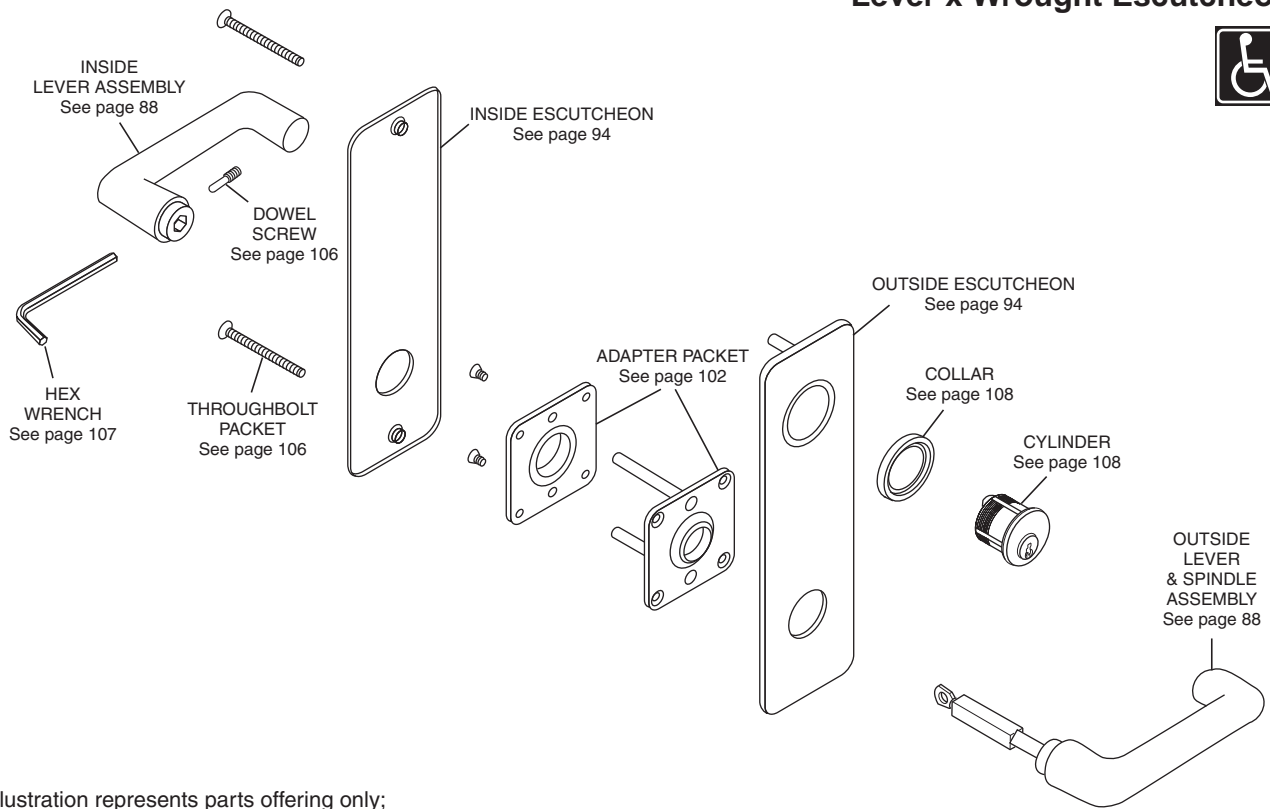


Illustration represents parts offering only; not intended for use in installation.

Wrought Knob x Wrought Escutcheon

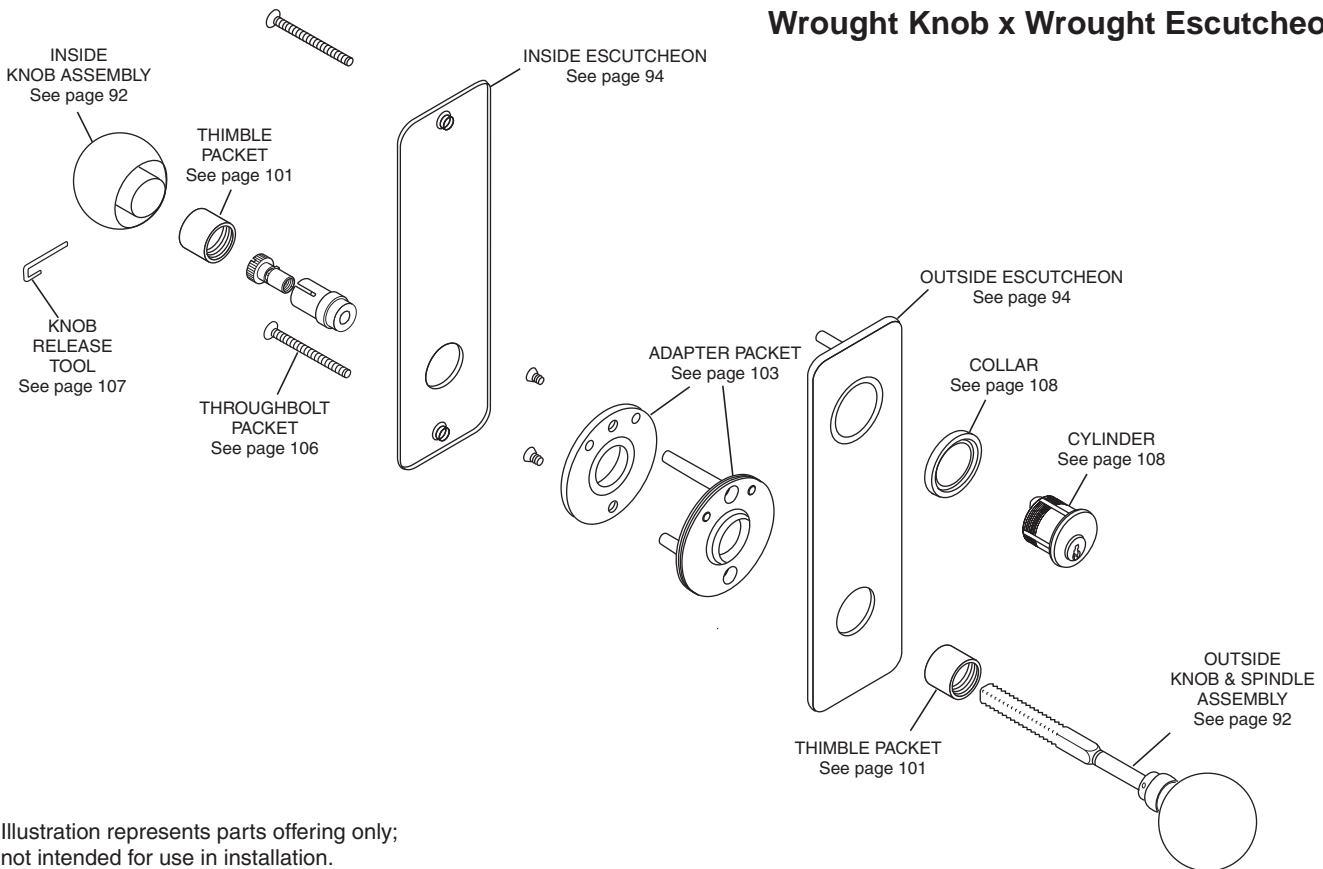


Illustration represents parts offering only; not intended for use in installation.

Lever x Cast Escutcheon*

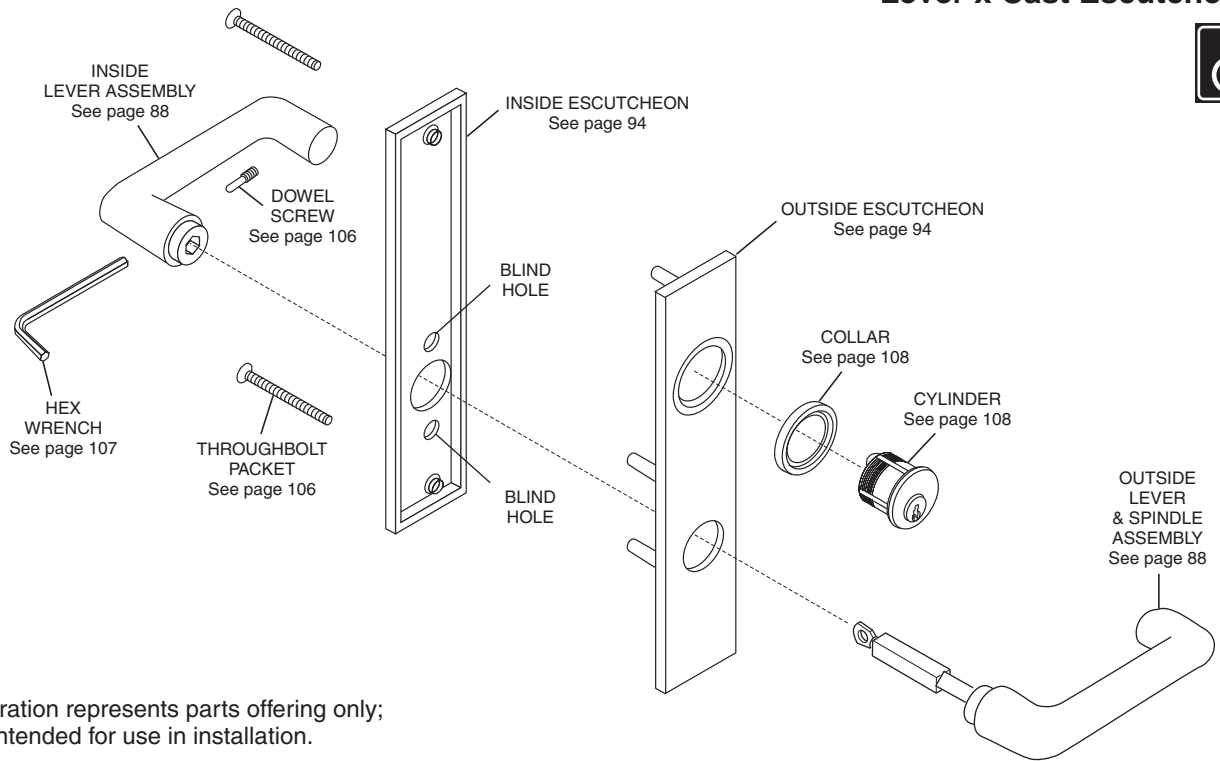


Illustration represents parts offering only; not intended for use in installation.

*Throughbolt lugs are attached to cast escutcheons. No Adapter Packet supplied.

Vandal Resistant Lever Trim

Cast Lever x Cast Escutcheon*

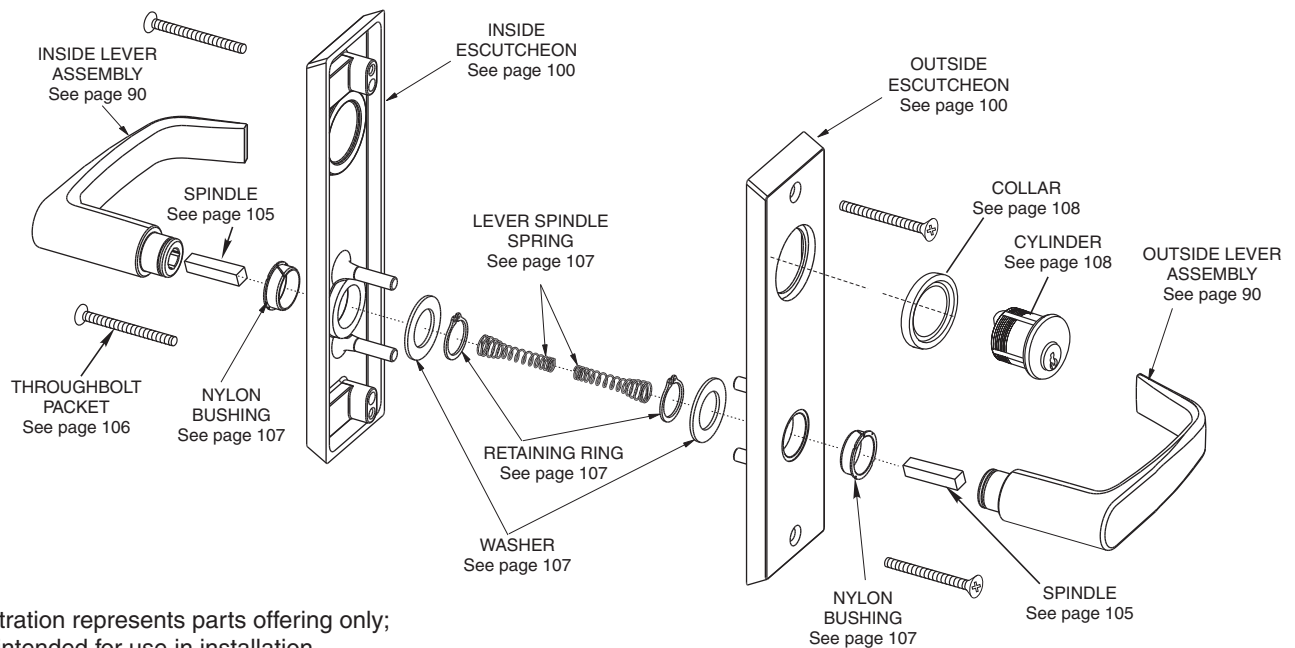


Illustration represents parts offering only; not intended for use in installation.

*Throughbolt lugs are attached to cast escutcheons. No Adapter Packet supplied.

Cast Knob x Cast Escutcheon*

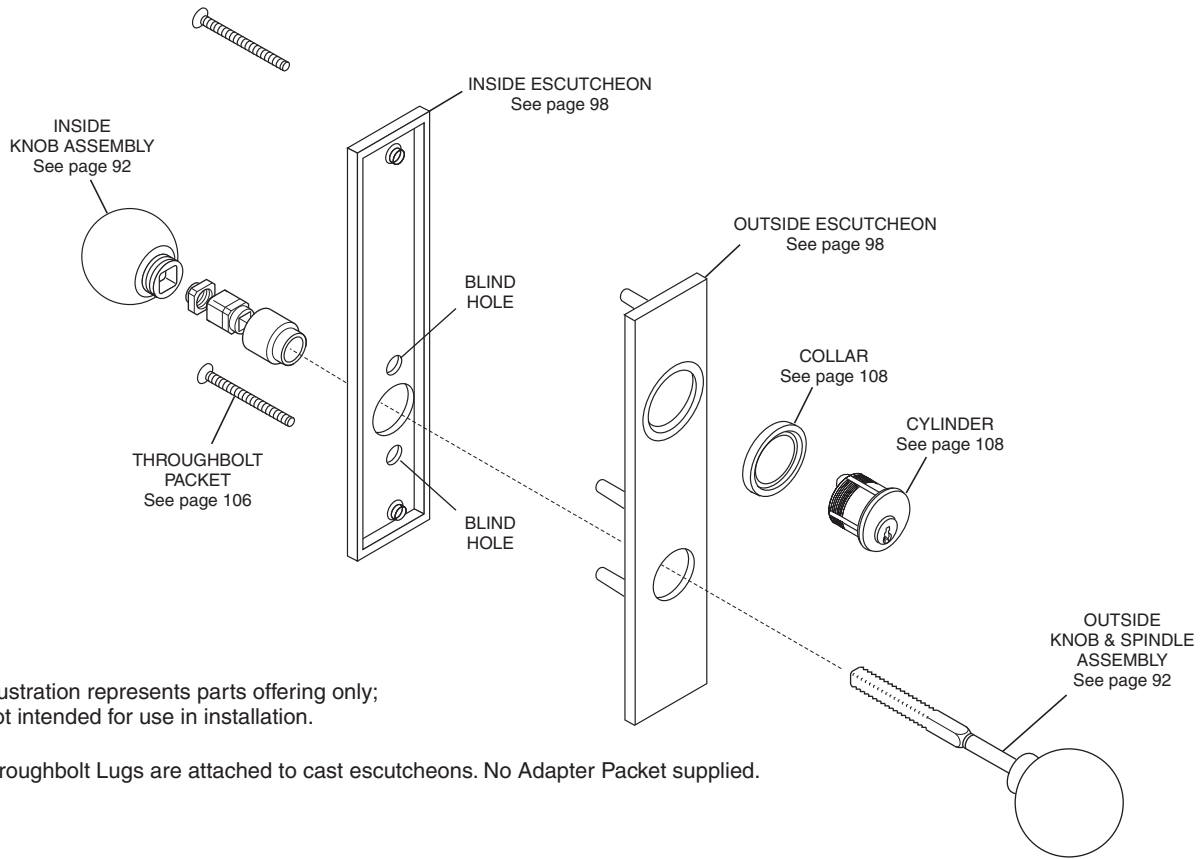


Illustration represents parts offering only; not intended for use in installation.

* Throughbolt Lugs are attached to cast escutcheons. No Adapter Packet supplied.

Lever x Rose

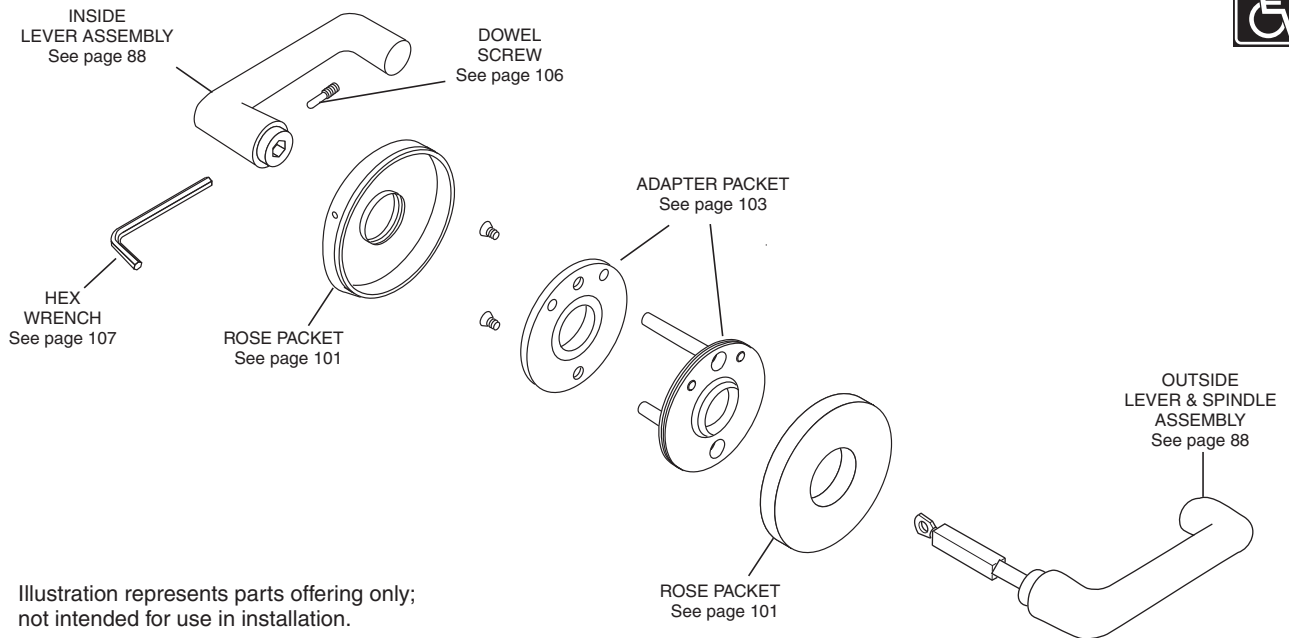


Illustration represents parts offering only; not intended for use in installation.

Wrought Knob x Rose

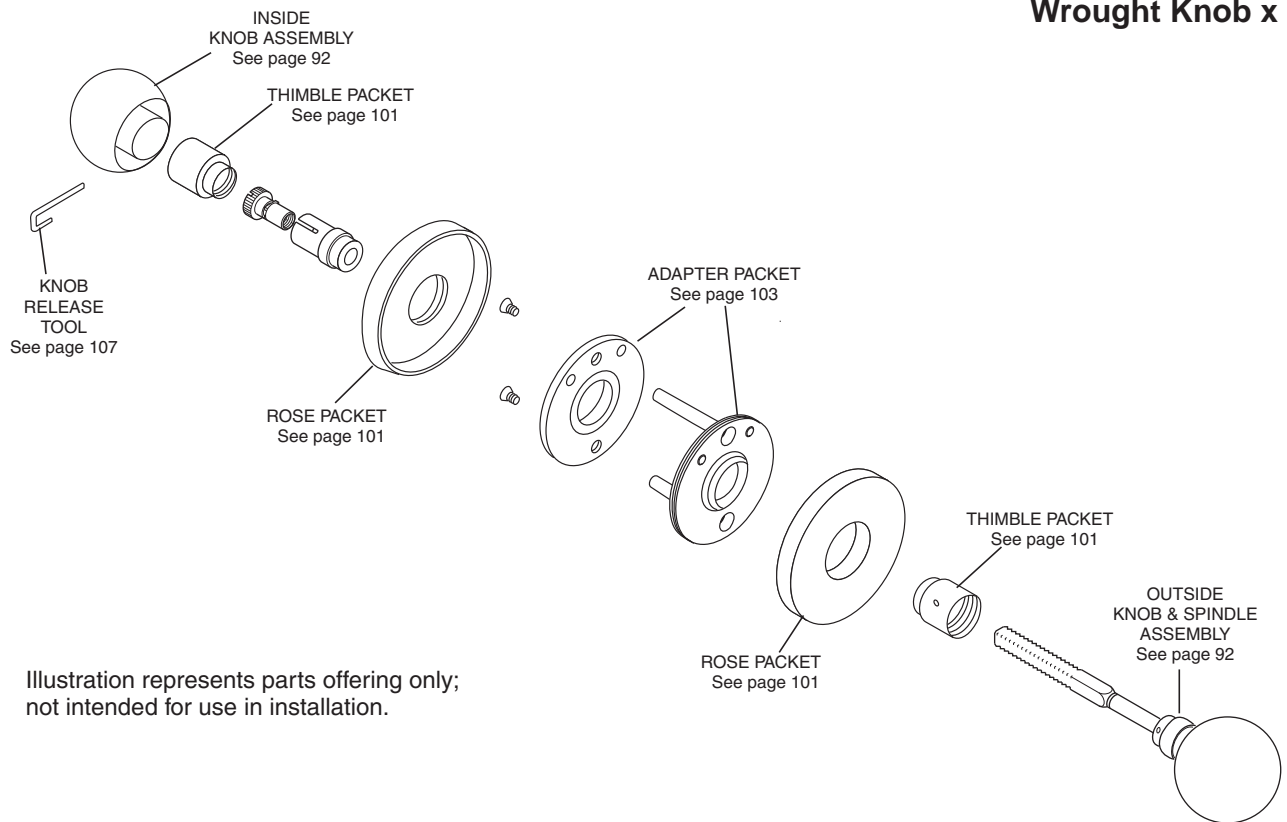


Illustration represents parts offering only; not intended for use in installation.

Cast Knob x Rose

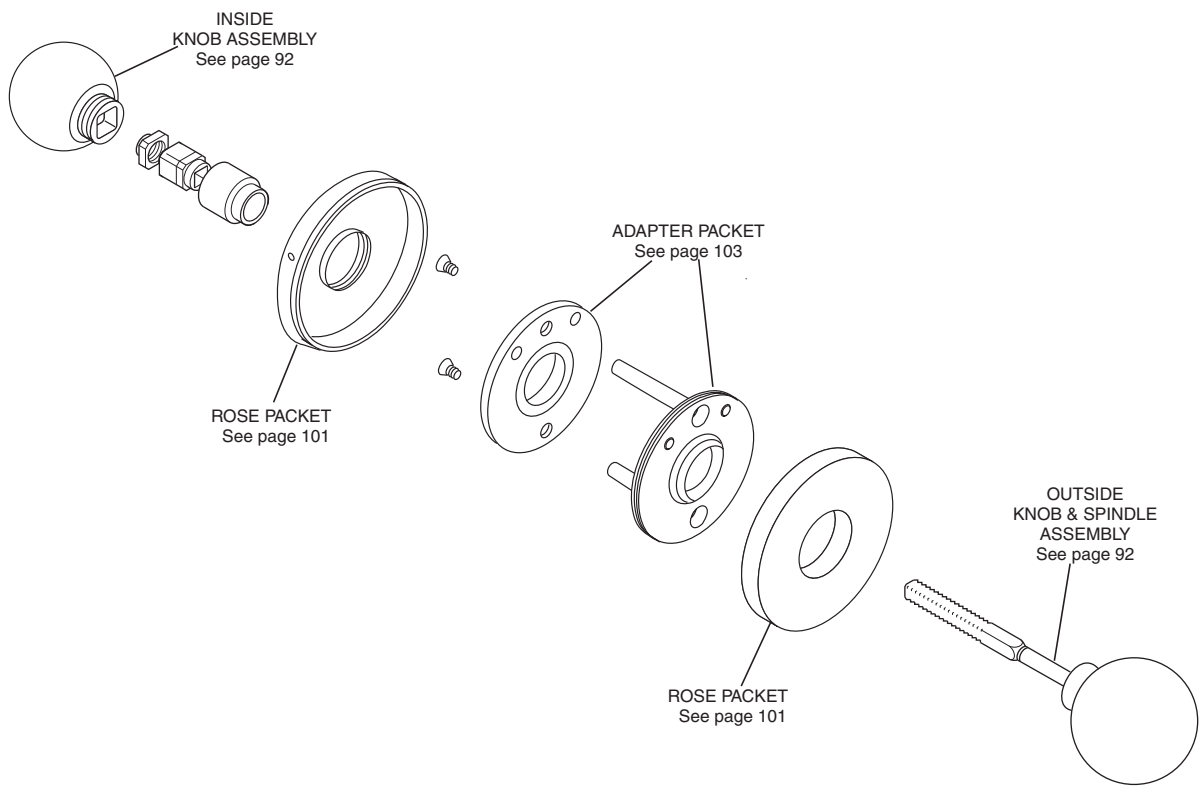


Illustration represents parts offering only; not intended for use in installation.

Half Trim - Lever x Escutcheon

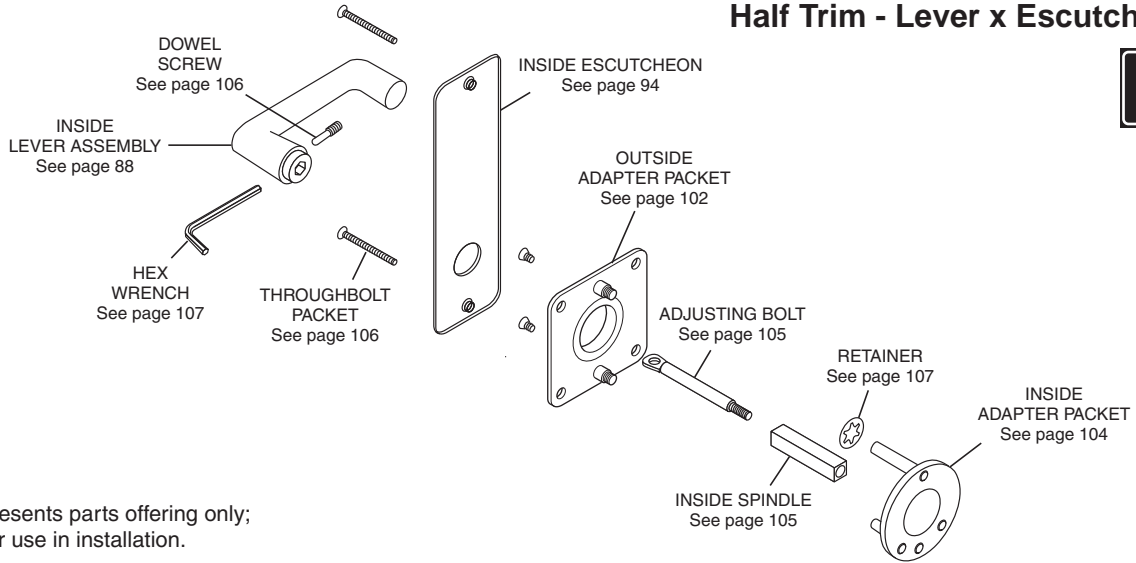


Illustration represents parts offering only; not intended for use in installation.

Half Trim - Wrought Knob x Escutcheon

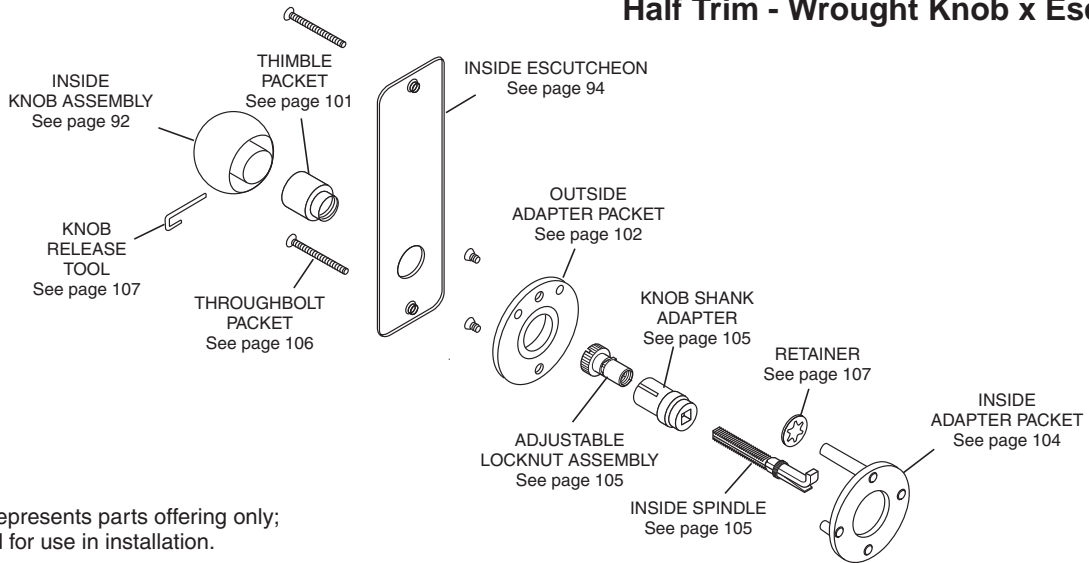


Illustration represents parts offering only; not intended for use in installation.

Half Trim - Cast Knob x Escutcheon

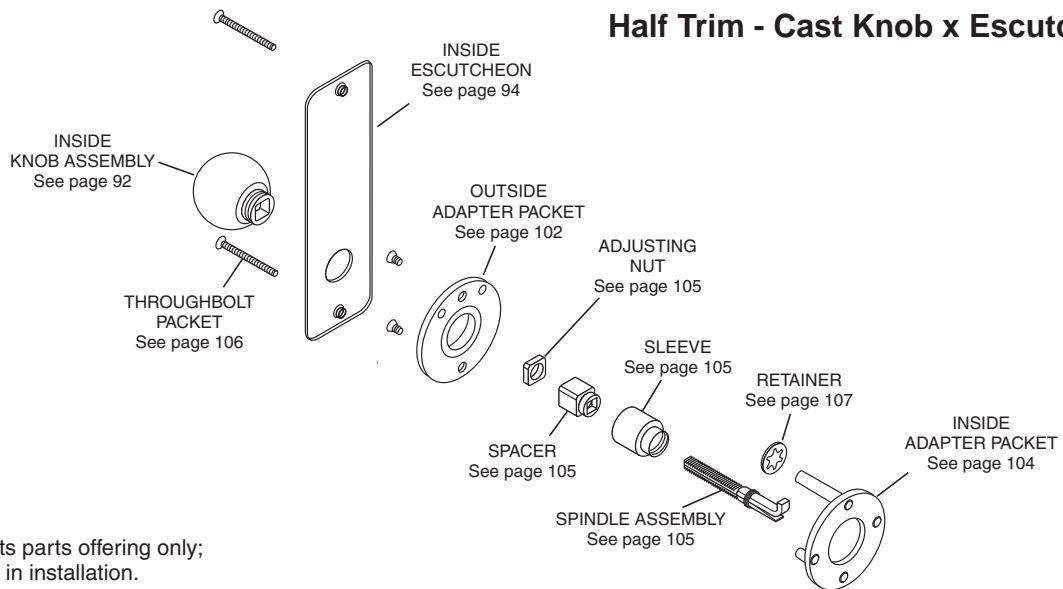


Illustration represents parts offering only; not intended for use in installation.

Half Trim - Lever x Rose

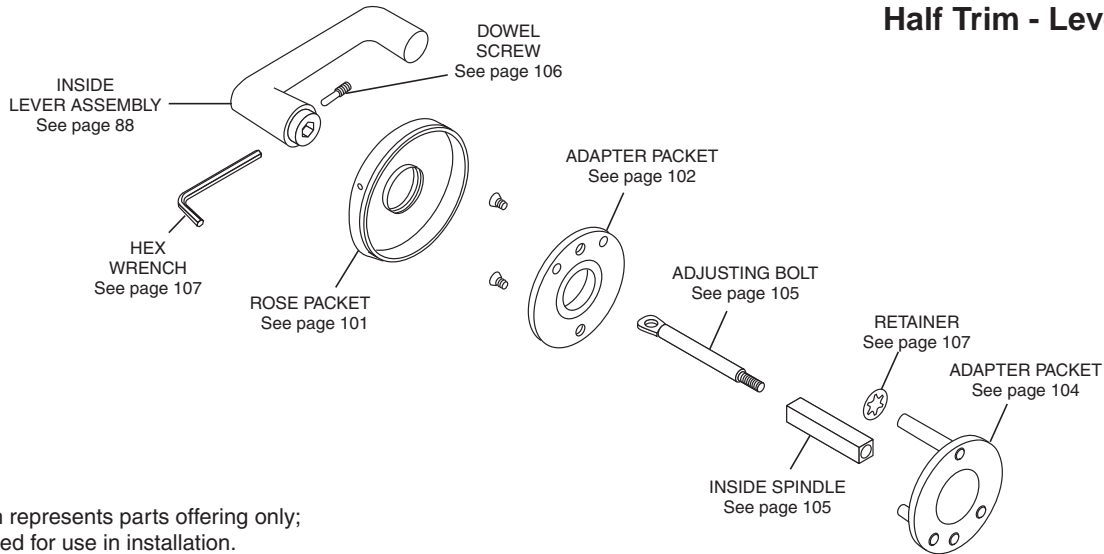


Illustration represents parts offering only; not intended for use in installation.

Half Trim - Wrought Knob x Rose

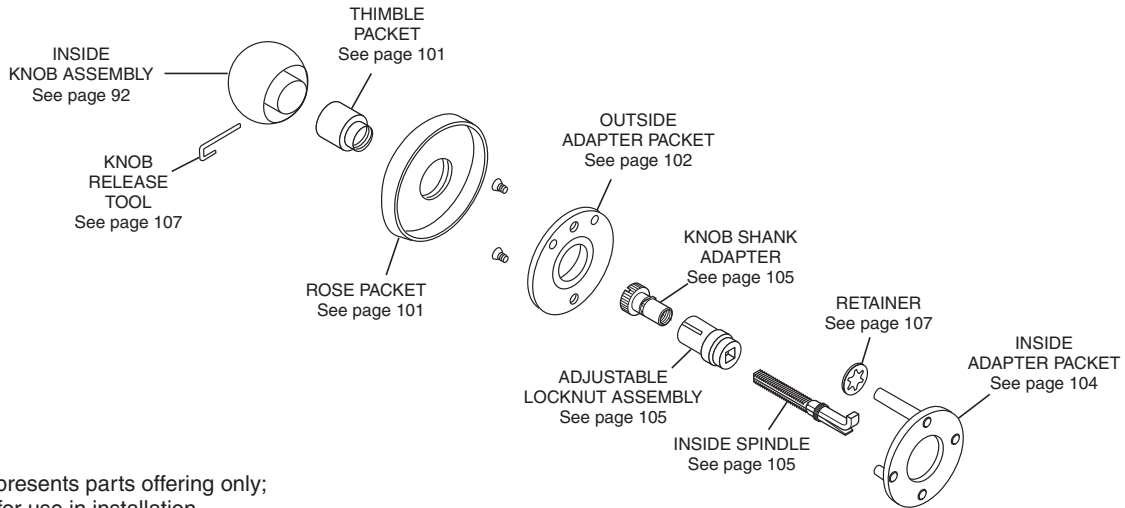


Illustration represents parts offering only; not intended for use in installation.

Half Trim - Cast Knob x Rose

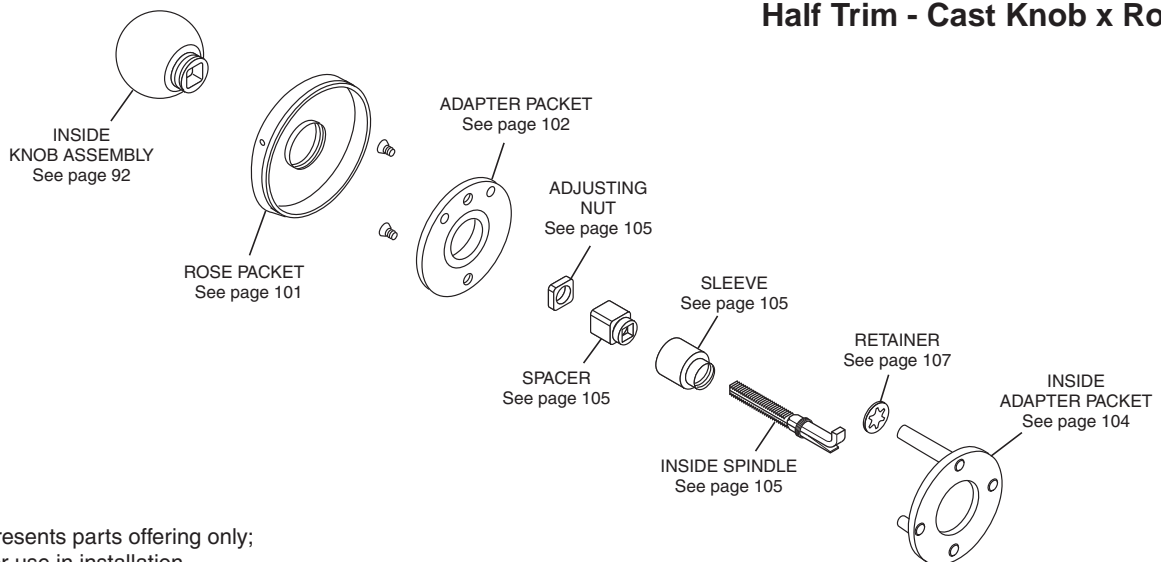


Illustration represents parts offering only; not intended for use in installation.

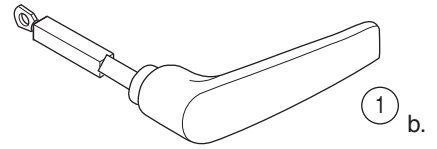
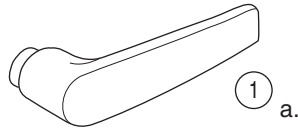


Inside

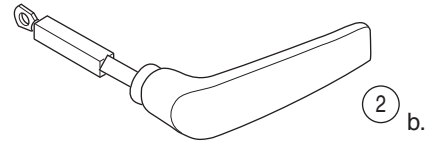
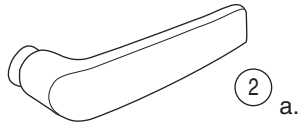
(Note: All inside levers come complete with dowel screws 483F30)

Outside

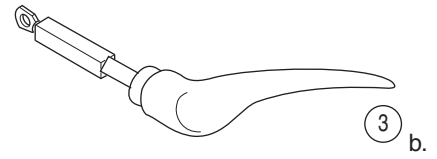
AS - Armstrong (Cast)



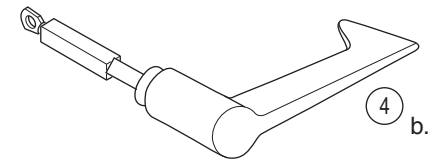
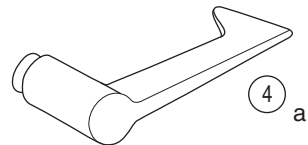
CS - Citation (Cast)



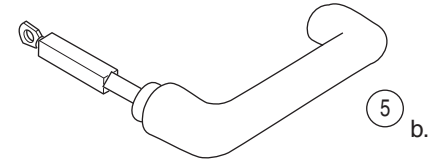
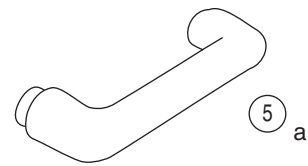
DS - Dirke (Cast)
Specify Hand



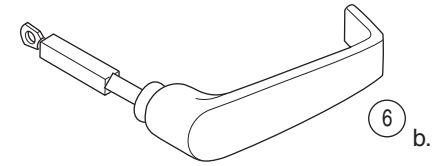
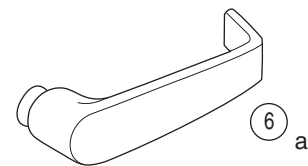
ES - Essex (Cast)



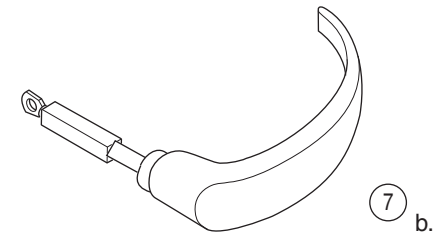
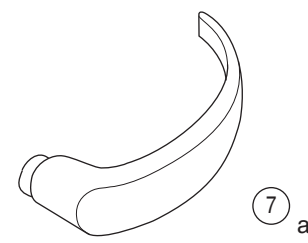
LS - Lustra (Cast)
LW - Lustra (Wrought)



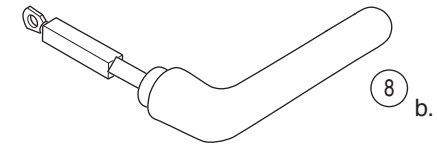
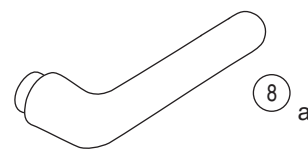
NS - Newport (Cast)



PS - Princeton (Cast)



RS - Regis (Cast)
RW - Regis (Wrought)





(Specify Finish)

ITEM	PART NO.	DESCRIPTION	ITEM	PART NO.	DESCRIPTION
1		AS - Armstrong (Cast)	6		NS - Newport (Cast)
A	670F37	Inside Lever	A	670F36	Inside Lever
B	670F64 670F73 670F09	Outside Lever & Spindle Assembly for 1-3/8" Door for 1-3/4" Door for 2-1/4" Door	B	670F63 670F72 670F08	Outside Lever & Spindle Assembly for 1-3/8" Door for 1-3/4" Door for 2-1/4" Door
2		CS - Citation (Cast)	7		PS - Princeton (Cast)
A	670F30	Inside Lever	A	670F80	Inside Lever
B	670F57 670F66 671F02	Outside Lever & Spindle Assembly for 1-3/8" Door for 1-3/4" Door for 2-1/4" Door	B	670F65 670F74 671F10	Outside Lever & Spindle Assembly for 1-3/8" Door for 1-3/4" Door for 2-1/4" Door
3		DS - Dirke (Cast)	8		RS - Regis (Cast)
A	670F32 670F31	Inside Lever for LH/LHR RH/RHR	A	670F35 493F34	Inside Lever RS - Regis (Wrought) Inside Lever
B	670F59 670F58 670F68 670F67 671F04 671F03	Outside Lever & Spindle Assembly for 1-3/8" Door - RH/RHR for 1-3/8" Door - LH/LHR for 1-3/4" Door - RH/RHR for 1-3/4" Door - LH/LHR for 2-1/4" Door - RH/RHR for 2-1/4" Door - LH/LHR	B	670F62 670F71 671F07	RS - Regis (Cast) Outside Lever & Spindle Assembly for 1-3/8" Door for 1-3/4" Door for 2-1/4" Door
4		ES - Essex (Cast)		483F82 483F83 483F84	RW - Regis (Wrought) Outside Lever & Spindle Assembly for 1-3/8" Door for 1-3/4" Door for 2-1/4" Door
A	670F33	Inside Lever			
B	670F60 670F69 671F05	Outside Lever & Spindle Assembly for 1-3/8" Door for 1-3/4" Door for 2-1/4" Door			
5		LS - Lustra (Cast)			
A	670F34 493F31	Inside Lever Inside Lever			
B	670F61 670F70 671F06 483F79 483F80 483F81	LS - Lustra (Wrought) Inside Lever LS - Lustra (Cast) Outside Lever & Spindle Assembly for 1-3/8" Door for 1-3/4" Door for 2-1/4" Door LW - Lustra (Wrought) Outside Lever & Spindle Assembly for 1-3/8" Door for 1-3/4" Door for 2-1/4" Door			

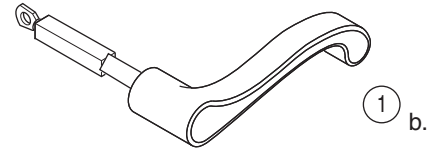
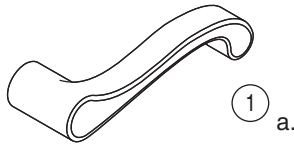


Inside

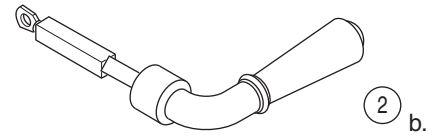
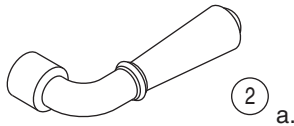
(Note: All inside levers come complete with dowel screws 483F30)

Outside

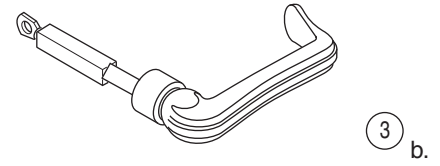
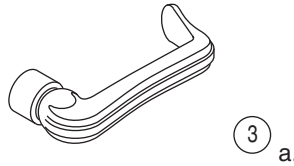
F - Frascati (Cast)



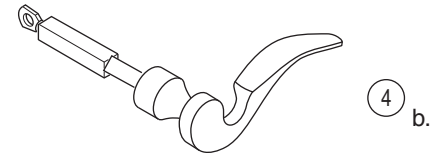
M - Merlot (Cast)



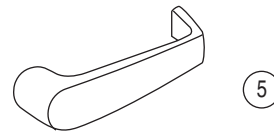
T - Tuscany (Cast)



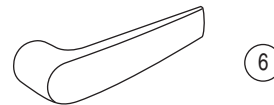
Z - Zinfandel (Cast)



**NS - Newport
(Cast stainless steel)
(Vandal Resistant)**



**CS - Citation
(Cast stainless steel)
(Vandal Resistant)**





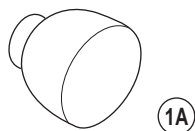
(Specify Finish)

ITEM	PART NO.	DESCRIPTION
1		FS - Frascati (Cast)
A	692F63 692F64	Inside Lever for RH/RHR LH/LHR
B	692F75 692F76	Outside Lever & Spindle Assembly for 1-3/4" Door - RH/RHR for 1-3/4" Door - LH/LHR
2		MS - Merlot (Cast)
A	692F65	Inside Lever
B	692F93	Outside Lever & Spindle Assembly for 1-3/4" Door
3		TS - Tuscany (Cast)
A	692F68	Inside Lever
B	692F96	Outside Lever & Spindle Assembly for 1-3/4" Door
4		ZS - Zinfandel (Cast)
A	692F66 692F67	Inside Lever for RH/RHR LH/LH
B	692F94 692F95	Outside Lever & Spindle Assembly for 1-3/4" Door - RH/RHR for 1-3/4" Door - LH/LHR
5	700F55	NS - Newport Vandal Resistant (Cast Stainless Steel) Inside & Outside Lever for 1 3/4 - 2 1/4" Door
6	700F59	CS - Citation Vandal Resistant (Cast Stainless Steel) Inside & Outside Lever for 1 3/4 - 2 1/4" Door

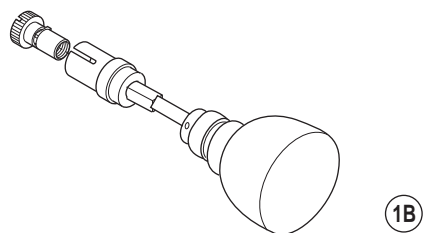
Inside

Outside

BR - Belmont (Wrought)
BW - Belmont (Wrought)

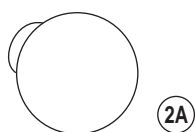


1A

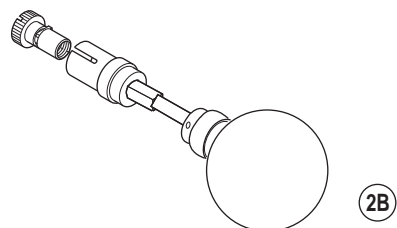


1B

GR - Global (Wrought)
GW - Global (Wrought)

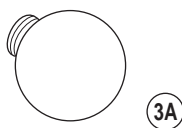


2A

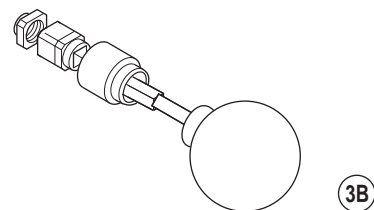


2B

GS - Global (Cast)

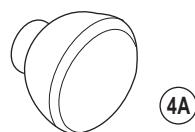


3A

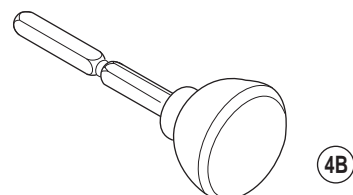


3B

SS - Surety (Cast)

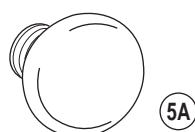


4A

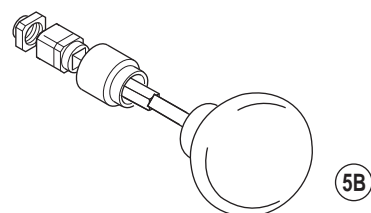


4B

YW - Yankee (Cold Forged)



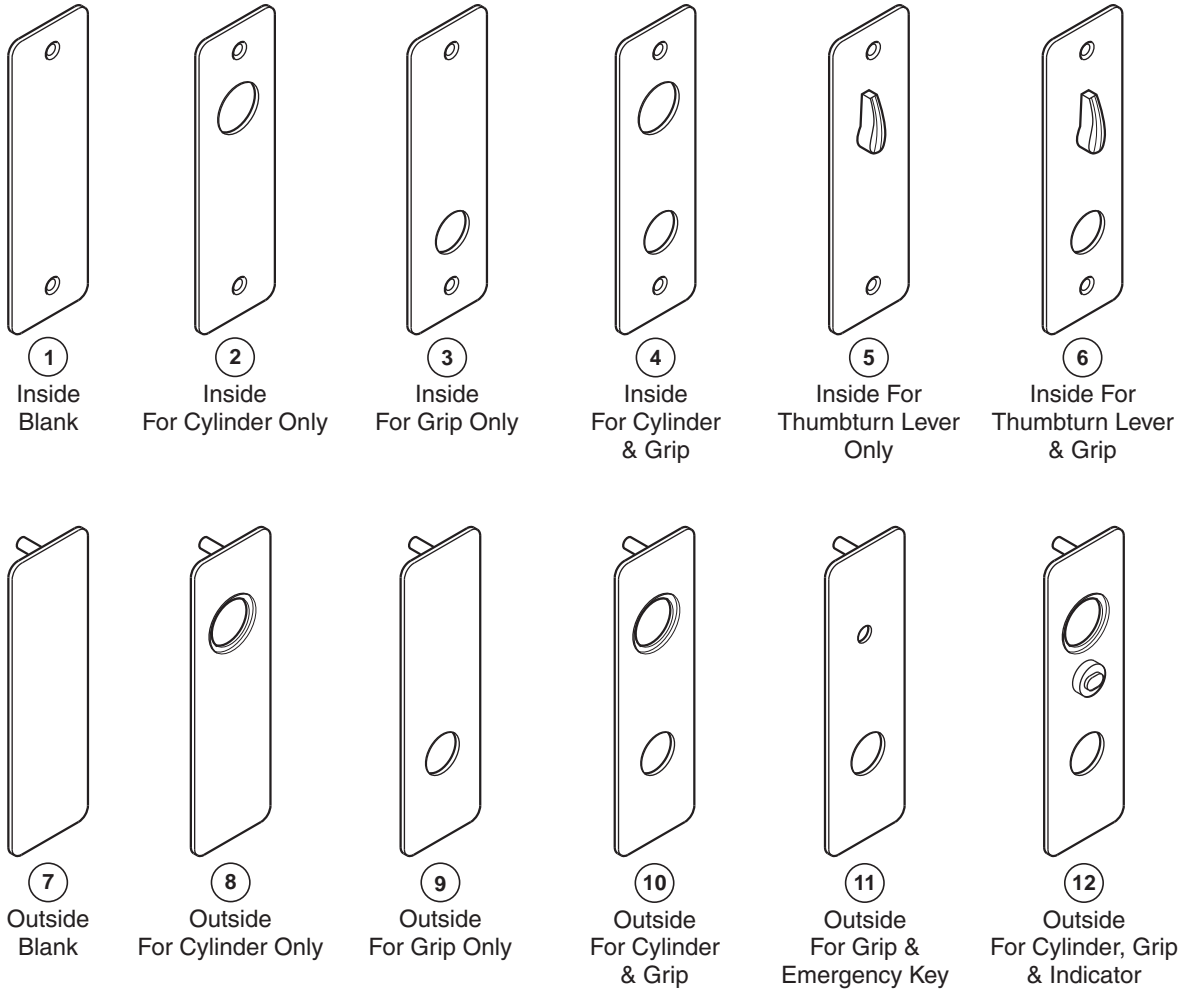
5A



5B

(Specify Finish)

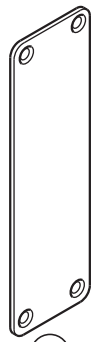
ITEM	PART NO.	DESCRIPTION	ITEM	PART NO.	DESCRIPTION	
1 A B	502F29	BR - Belmont (Wrought Reinforced) Inside Knob	3 A B	503F15	GS - Global (Cast) Inside Knob	
	568F12	BW - Belmont (Wrought) Inside Knob		689F28	Outside Knob & Spindle Assembly for 1-3/8" Door for 1-3/4" Door for 2-1/4" Door	
	689F51 689F53 689F55	BR - Belmont (Wrought Reinforced) Outside Knob & Spindle Assembly for 1-3/8" Door for 1-3/4" Door for 2-1/4" Door		689F31 689F37		
	689F59 689F61 689F63	BW - Belmont (Wrought) Outside Knob & Spindle Assembly for 1-3/8" Door for 1-3/4" Door for 2-1/4" Door	4 A B	445F38	SS - Surety (Cast) Inside Knob	
				445F43	Outside Knob & Spindle Assembly for 1-3/4" Door for 2" Door for 2-1/4" Door	
				498F86 498F87		
	2 A B	502F27	GR - Global (Wrought Reinforced) Inside Knob	5 A B	502F62	YW - Yankee (Cast Forged) Inside Knob
		568F11	GW - Global (Wrought) Inside Knob		689F30	Outside Knob & Spindle Assembly for 1-3/8" Door for 1-3/4" Door for 2-1/4" Door
		689F50 689F52 689F54	GR - Global (Wrought Reinforced) Outside Knob & Spindle Assembly for 1-3/8" Door for 1-3/4" Door for 2-1/4" Door		689F33 689F39	
		689F58 689F60 689F62	GW - Global (Wrought) Outside Knob & Spindle Assembly for 1-3/8" Door for 1-3/4" Door for 2-1/4" Door			



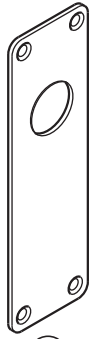
**7-1/2" x 2-1/4" Wrought
(Specify Finish)**

ITEM	PART NO.	DESCRIPTION
1	545F45	Inside - Blank
2	545F00	Inside - for Cylinder Only
3	544F95	Inside - for Grip Only
4	544F96 377F80	Inside - for Cylinder and Grip Conventional Master Ring
5	545F42 545F43 545F44	Inside - for Thumbturn Lever Only for 1-3/8" Door for 1-3/4" Door for 2-1/4" Door
6	544F97 544F98 544F99	Inside - for Thumbturn Lever & Grip for 1-3/8" Door for 1-3/4" Door for 2-1/4" Door

ITEM	PART NO.	DESCRIPTION
7	383F82	Outside - Blank
8	488F07	Outside - for Cylinders Only
9	488F04	Outside - for Grip Only
10	488F05 557F29	Outside - for Cylinder and Grip Conventional Master Ring
11	544F94	Outside - for Grip & Emergency Key
12	433F48 433F49 484F90	Outside - for Cylinder, Grip & Indicator for 1-3/8" Door for 1-3/4" Door for 2-1/4" Door



①
Inside
Blank



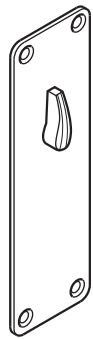
②
Inside or Outside
For Cylinder Only



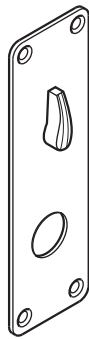
③
Inside or Outside
For Grip Only



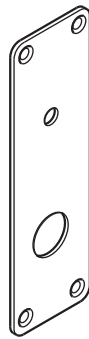
④
Inside or Outside
For Cylinder
& Grip



⑤
Inside For
Thumbturn Lever
Only



⑥
Inside For
Thumbturn Lever
& Grip



⑦
Outside
For Grip &
Emergency Key

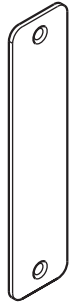


⑧
Outside
For Cylinder, Grip
& Indicator

**7-1/2" x 2-1/4" Wrought
(Specify Finish)**

ITEM	PART NO.	DESCRIPTION
1	544F93	Inside or Outside - Blank
2	544F80	Inside or Outside - for Cylinder Only
3	544F76	Inside or Outside - for Grip Only
4	544F77	Inside or Outside - for Cylinder and Grip
5	544F92 544F89 544F91	Inside - for Thumbturn Lever Only for 1-3/8" Door for 1-3/4" Door for 2-1/4" Door

ITEM	PART NO.	DESCRIPTION
6	544F88 544F85 544F87	Inside - for Thumbturn Lever & Grip for 1-3/8" Door for 1-3/4" Door for 2-1/4" Door
7	544F79	Outside - for Trim & Emergency Key
8	544F82 544F83 544F84	Outside - for Cylinder, Grip & Indicator for 1-3/8" Door for 1-3/4" Door for 2-1/4" Door



①

Inside
Blank



②

Inside
For Cylinder Only



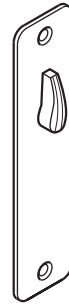
③

Inside
For Grip Only



④

Inside
For Cylinder
& Grip



⑤

Inside For
Thumbturn Lever
Only



⑥

Inside For
Thumbturn Lever
& Grip



⑦

Outside
Blank



⑧

Outside
For Cylinder Only



⑨

Outside
For Grip Only



⑩

Outside
For Cylinder
& Grip



⑪

Outside
For Grip &
Emergency Key



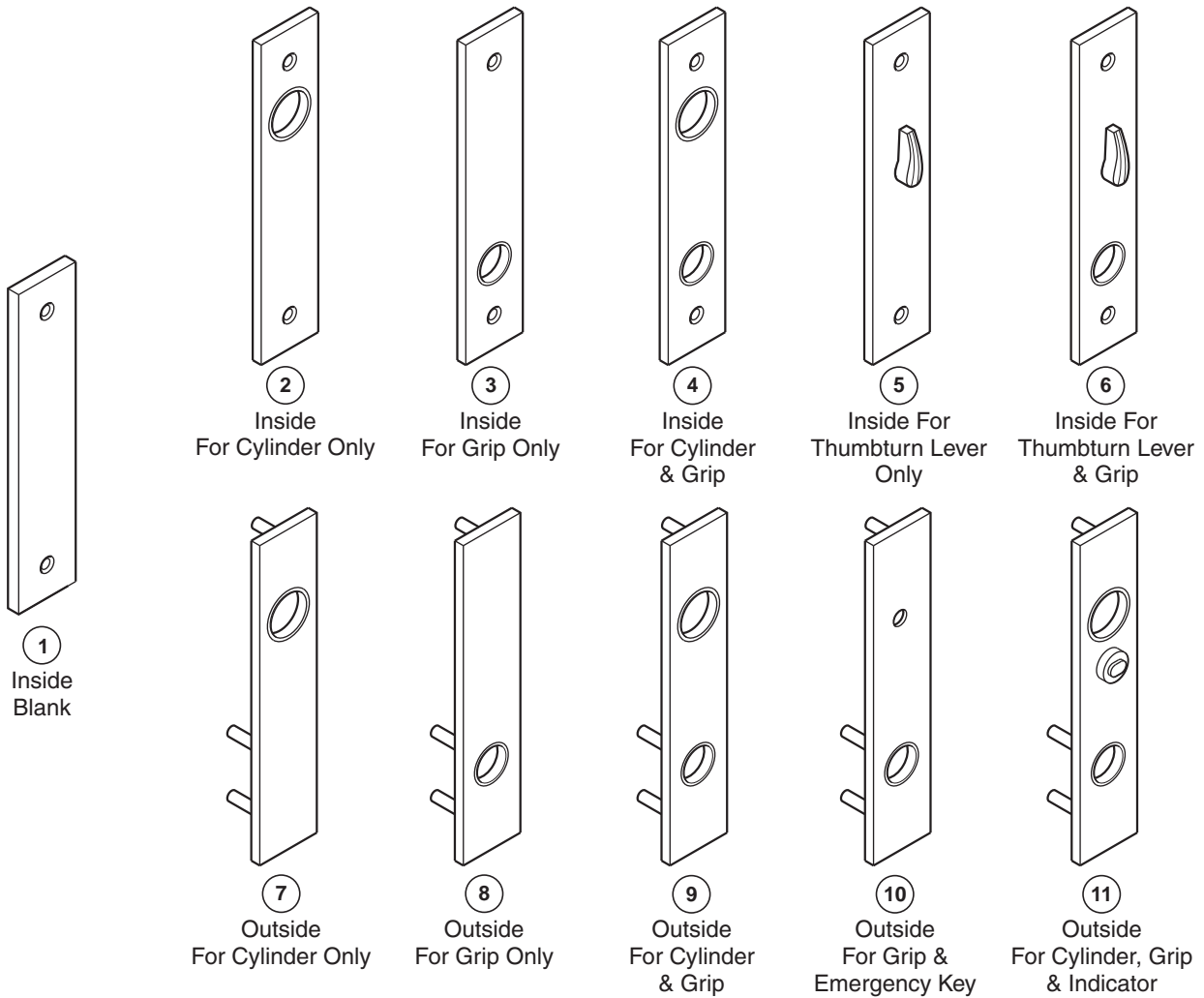
⑫

Outside
For Cylinder, Grip
& Indicator

**7" x 1-5/8" Wrought
(Specify Finish)**

ITEM	PART NO.	DESCRIPTION
1	544F46	Inside - Blank
2	544F43	Inside - for Cylinder Only
3	544F39	Inside - for Grip Only
4	544F40	Inside - for Cylinder and Grip
5	544F14 544F45 544F44	Inside - for Thumbturn Lever Only for 1-3/8" Door for 1-3/4" Door for 2-1/4" Door
6	544F13 544F42 544F41	Inside - for Thumbturn Lever & Grip for 1-3/8" Door for 1-3/4" Door for 2-1/4" Door

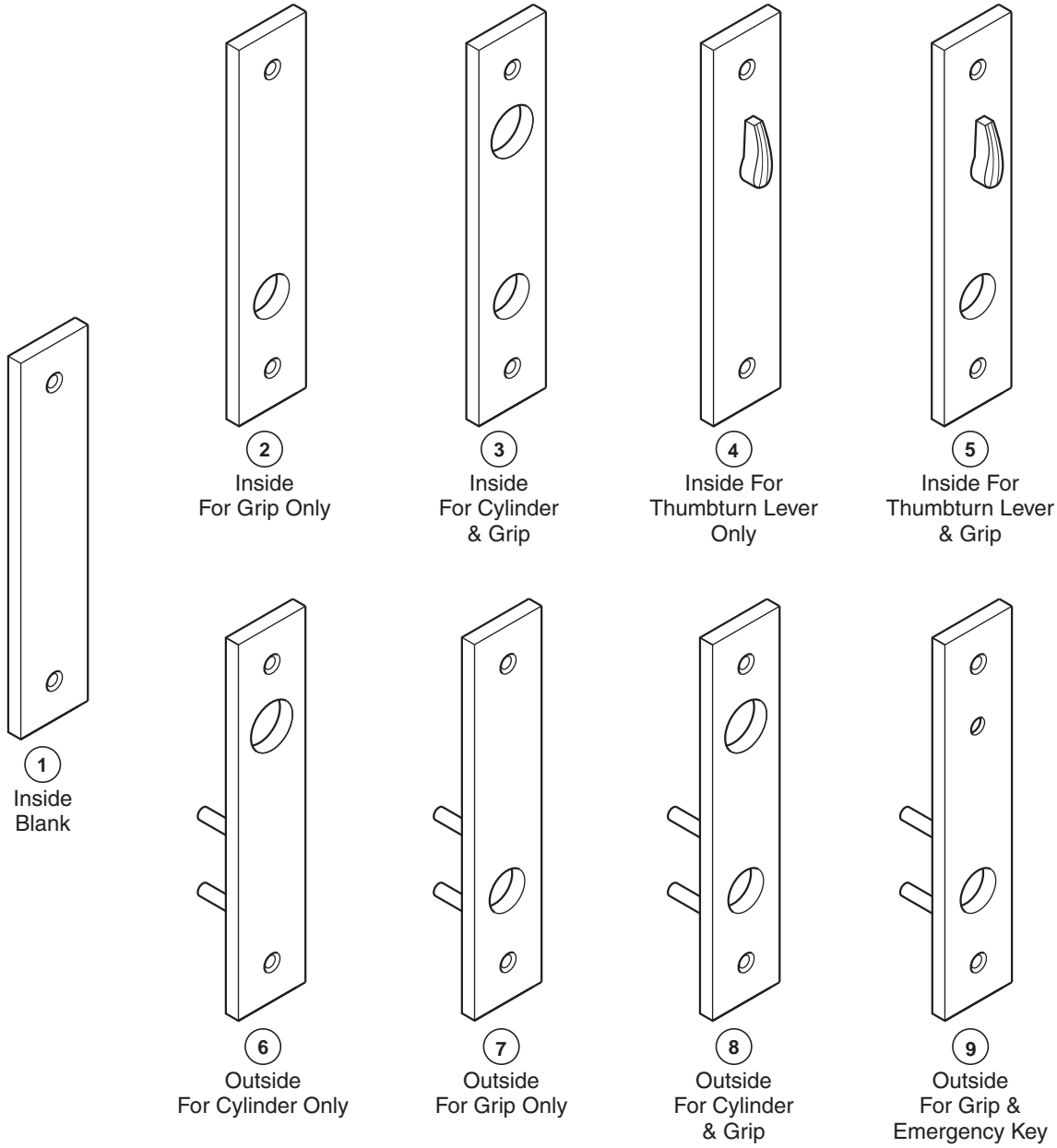
ITEM	PART NO.	DESCRIPTION
7	384F11	Outside - Blank
8	488F03	Outside - for Cylinder Only
9	488F00	Outside - for Grip Only
10	488F01	Outside - for Cylinder & Grip
11	544F38	Outside - for Grip & Emergency Key
12	430F47 435F00 484F76	Outside - for Cylinder, Grip & Indicator for 1-3/8" Door for 1-3/4" Door for 2-1/4" Door



**8-1/2" x 1-3/4" Cast
(Specify Finish)**

ITEM	PART NO.	DESCRIPTION
1	545F79	Inside - Blank
2	545F88	Inside - for Cylinder Only
3	545F87	Inside - for Grip Only
4	545F80	Inside - for Cylinder and Grip
5	545F84 545F85 545F86	Inside - for Thumbturn Lever Only for 1-3/8" Door for 1-3/4" Door for 2-1/4" Door
6	545F81 545F82 545F83	Inside - for Thumbturn Lever & Grip for 1-3/8" Door for 1-3/4" Door for 2-1/4" Door
7	427F44 427F45 485F77	Outside - for Cylinder Only for 1-3/8" Door for 1-3/4" Door for 2-1/4" Door

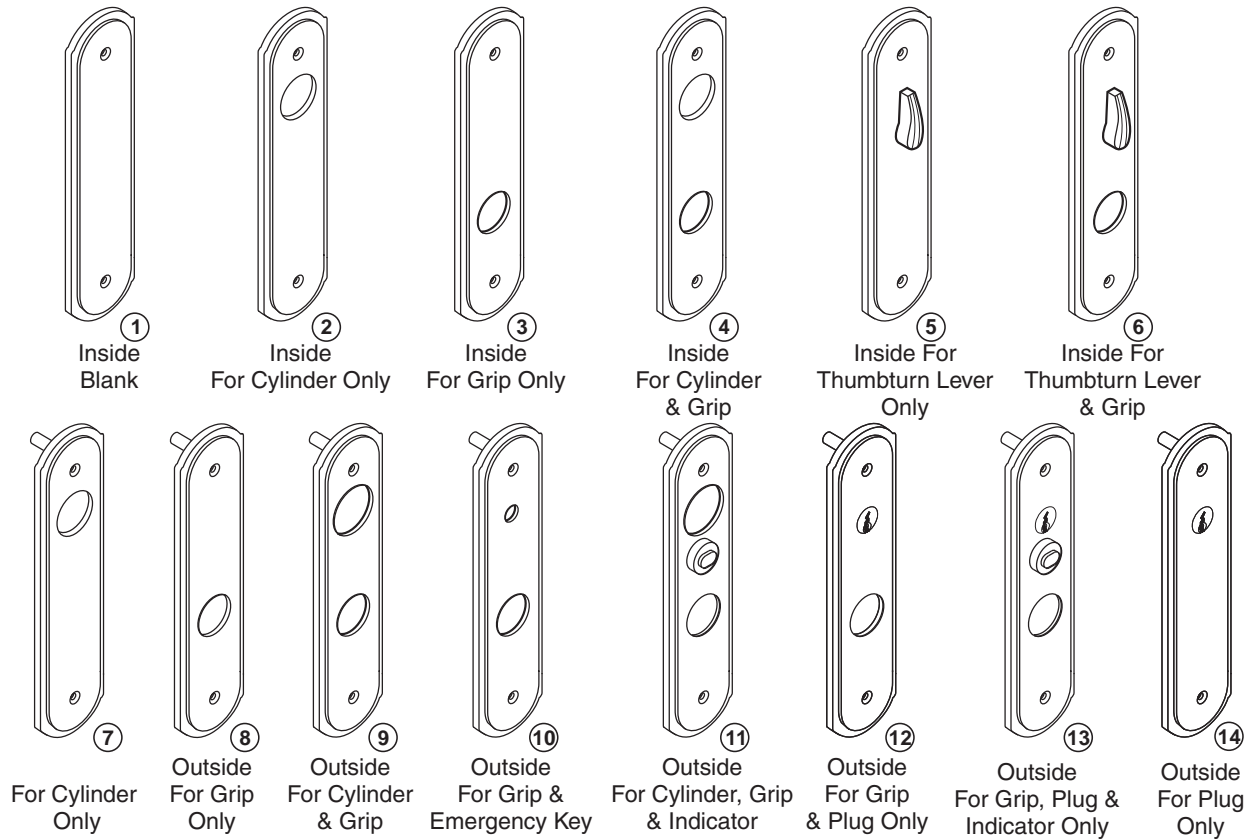
ITEM	PART NO.	DESCRIPTION
8	427F42 427F43 485F76	Outside - for Grip Only for 1-3/8" Door for 1-3/4" Door for 2-1/4" Door
9	427F38 427F39 485F75	Outside - for Cylinder and Grip for 1-3/8" Door for 1-3/4" Door for 2-1/4" Door
10	427F46 427F47 485F78	Outside - for Grip & Emergency Key for 1-3/8" Door for 1-3/4" Door for 2-1/4" Door
11	427F36 427F37 485F74	Outside - for Cylinder, Grip & Indicator for 1-3/8" Door for 1-3/4" Door for 2-1/4" Door



8-1/2" x 1-3/4" Cast
(Specify Finish)

ITEM	PART NO.	DESCRIPTION
1	498F80	Inside - Blank
2	445F57	Inside - for Grip Only
3	445F33	Inside - for Cylinder and Grip
4	445F35	Inside - for Thumbturn Lever Only
5	445F34	Inside - for Thumbturn Lever & Grip

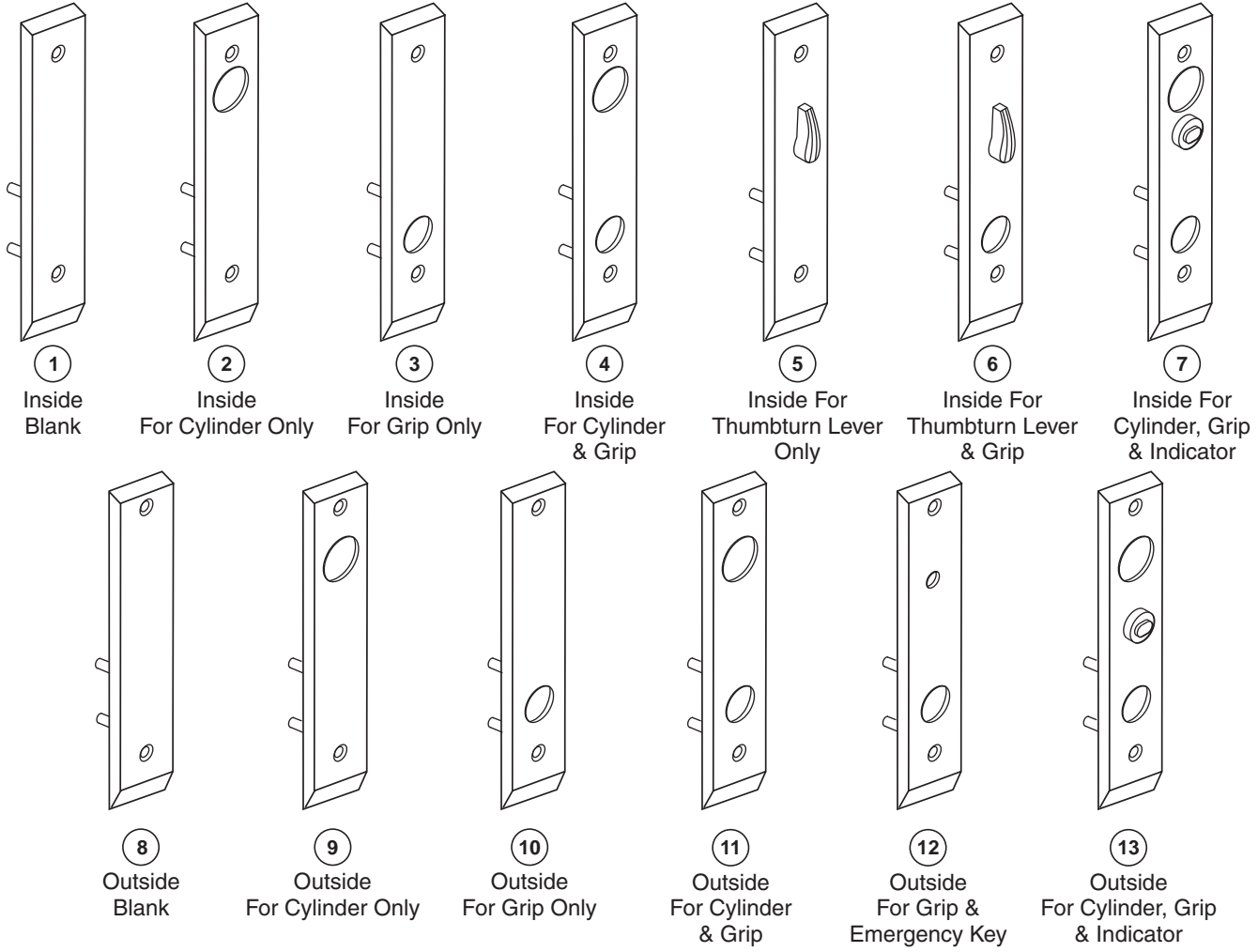
ITEM	PART NO.	DESCRIPTION
6	445F37	Outside - for Cylinder Only
7	445F58	Outside - for Grip Only
8	445F36	Outside - for Cylinder & Grip
9	445F59	Outside - for Grip & Emergency Key



9-3/16" x 2-3/16" Cast (Specify Finish)

ITEM	PART NO.	DESCRIPTION
1	692F86	Inside - Blank
2	694F32	Inside - for Cylinder Only
3	694F31	Inside - for Grip Only
4	694F33	Inside - for Cylinder and Grip
5	694F34 694F35 694F36 694F37	Inside - for Thumbturn Lever Only for 1-3/8" Door for 1-3/4" Door for 2" Door for 2-1/4" Door
6	694F38 694F39 694F40 694F41	Inside - for Thumbturn Lever & Grip for 1-3/8" Door for 1-3/4" Door for 2" Door for 2-1/4" Door
7	694F51 694F52 694F53 694F54	Outside - for Cylinder Only for 1-3/8" Door for 1-3/4" Door for 2" Door for 2-1/4" Door
8	694F43 694F44 694F45 694F46	Outside - for Grip Only for 1-3/8" Door for 1-3/4" Door for 2" Door for 2-1/4" Door
9	694F55 694F56 694F57 694F58	Outside - for Cylinder & Grip for 1-3/8" Door for 1-3/4" Door for 2" Door for 2-1/4" Door

ITEM	PART NO.	DESCRIPTION
10	694F47 694F48 694F49 694F50	Outside - for Grip & Emergency Key for 1-3/8" Door for 1-3/4" Door for 2" Door for 2-1/4" Door
11	694F59 694F60 694F61 694F62	Outside - for Cylinder, Grip & Indicator for 1-3/8" Door for 1-3/4" Door for 2" Door for 2-1/4" Door
12	694F67 694F68 694F69 694F70	Outside - for Grip & Plug Only for 1-3/8" Door for 1-3/4" Door for 2" Door for 2-1/4" Door
13	694F71 694F72 694F73 694F74	Outside - for Grip, Plug & Indicator Only for 1-3/8" Door for 1-3/4" Door for 2" Door for 2-1/4" Door
14	694F63 694F64 694F65 694F66	Outside - for Plug Only for 1-3/8" Door for 1-3/4" Door for 2" Door for 2-1/4" Door

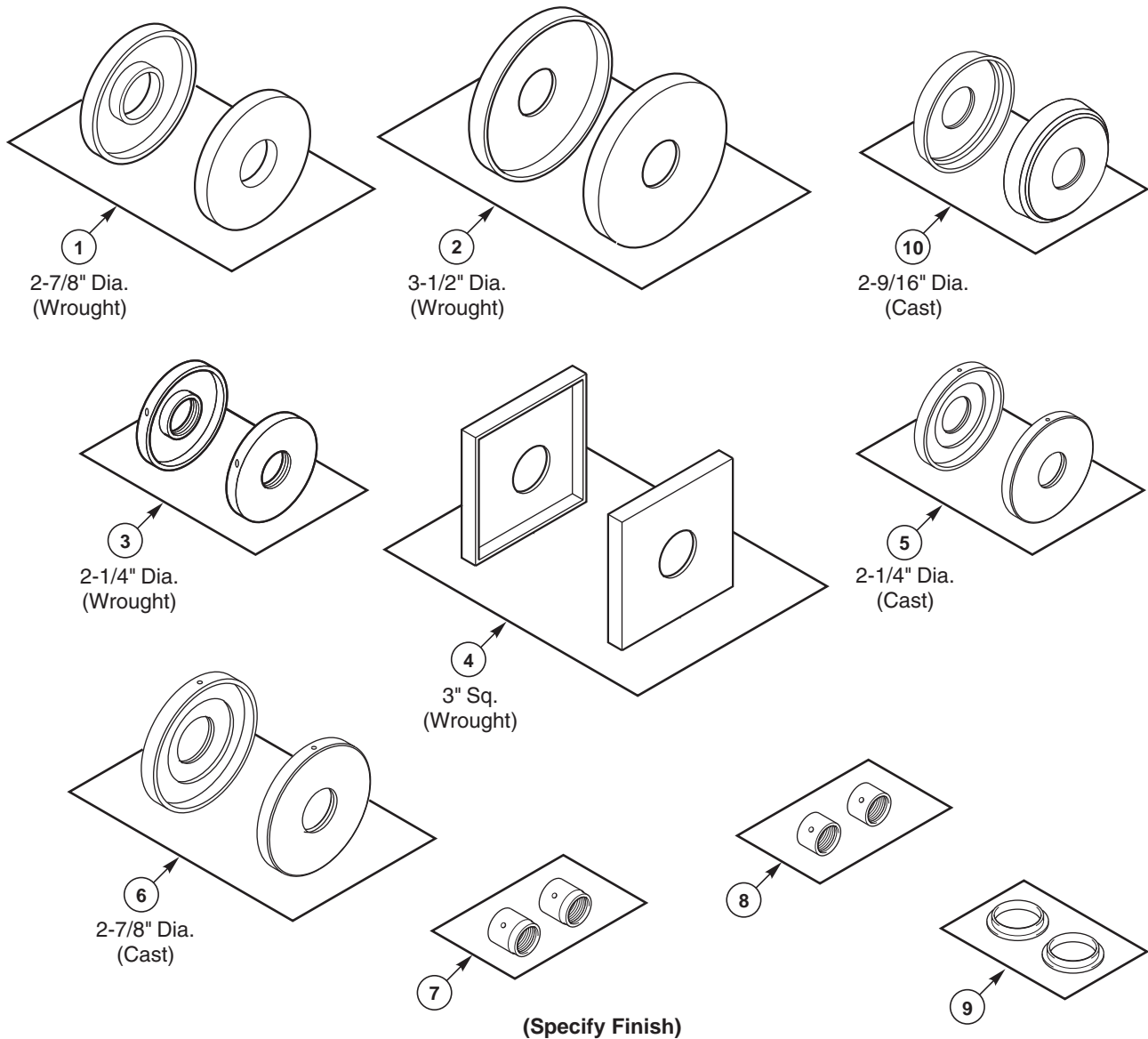


8-1/2" x 2-5/8" Cast

ITEM	PART NO.	DESCRIPTION
1	700F40	Inside - Blank
2	700F43 700F48*	Inside - for Cylinder Only (not shown) (7P & C6)
3	700F41	Inside - for Grip Only
4	700F42 700F47*	Inside - for Cylinder and Grip (not shown) (7P & C6)
5	700F45	Inside - for Thumbturn Lever Only
6	700F44	Inside - for Thumbturn Lever & Grip
7	700F46	Inside - for Cylinder, Grip & Indicator
8	700F80	Outside Blank

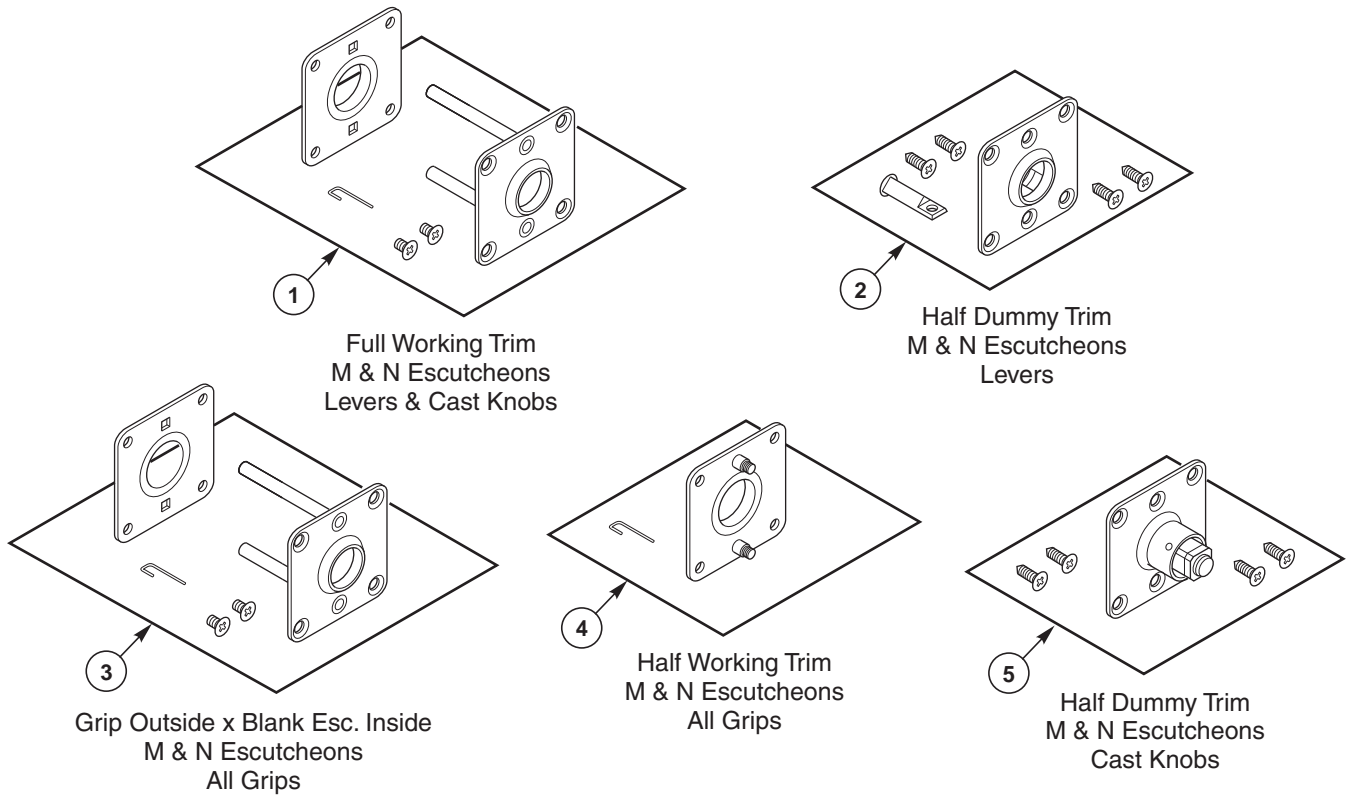
ITEM	PART NO.	DESCRIPTION
9	700F83 700F88*	Outside - for Cylinder Only (not shown) (7P & C6)
10	700F81	Outside - for Grip Only
11	700F82 700F87*	Outside - for Cylinder and Grip (not shown) (7P & C6)
12	700F84	Outside - for Grip & Emergency Key
13	700F86	Outside - for Cylinder, Grip & Indicator

* Use these escutcheons when collar is required.



ITEM	PART NO.	DESCRIPTION
1	445F82	Wrought Rose Packet, containing: (Qty. 2) 2-7/8" Dia. Roses
2	445F83	Wrought Rose Packet, containing: (Qty. 2) 3-1/2" Dia. Roses
3	487F08	Wrought Rose Packet, containing: (Qty. 2) 2-1/4" Dia. Roses
4	445F84	Wrought Rose Packet, containing: (Qty. 2) 3" Dia. Roses
5	447F25	Cast Rose Packet, containing: (Qty. 2) 2-1/4" Dia. Roses
6	447F24	Cast Rose Packet, containing: (Qty. 2) 2-7/8" Dia. Roses

ITEM	PART NO.	DESCRIPTION
7	445F85	Thimble Packet, containing: (Qty. 2) Thimbles for Sectional Wrought Knob Trim Designs
8	432F86	Thimble Packet, containing: (Qty. 2) Thimbles for Wrought Knob by Escutcheon Trim Designs
9	445F86 (No Finish)	Rose Reinforcement Packet, containing: (Qty. 2) Rose Reinforcements
10	694F80	Cast Rose Packet, containing: (Qty. 2) 2-9/16" Dia. Vineyard Collection Roses



1
Full Working Trim
M & N Escutcheons
Levers & Cast Knobs

2
Half Dummy Trim
M & N Escutcheons
Levers

3
Grip Outside x Blank Esc. Inside
M & N Escutcheons
All Grips

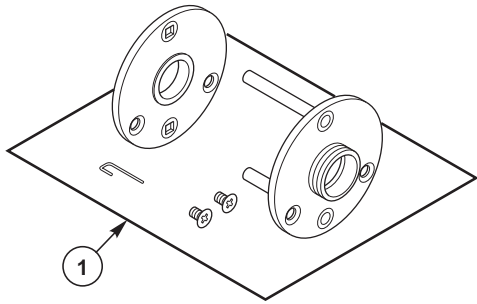
4
Half Working Trim
M & N Escutcheons
All Grips

5
Half Dummy Trim
M & N Escutcheons
Cast Knobs

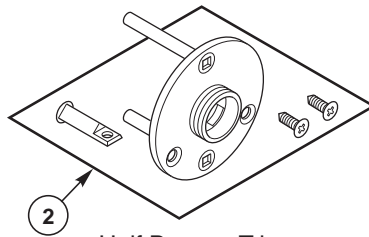
NOTE: Each adapter packet comes with appropriate size adapter plates & screws for door thickness as ordered.

ITEM	PART NO.	DESCRIPTION
1	466F50 466F51 466F52	Adapter Packet - Full Working Trim, containing: 1 - Inside Adapter Plate 1 - Outside Adapter Plate 2 - #8-32 Phillips Flat Hd Screws 1 - Knob Release Tool for 1-3/8" Door for 1-3/4" Door for 2-1/4" Door
2	488F32	Adapter Packet - Lever Half Dummy Trim, containing: 1 - Adapter Plate 1 - Spindle 4 - #8 Phillips Flat Head Combination Screws
3	466F45 466F46 466F47	Adapter Packet - Grip Outside x Blank Escutcheon Inside, containing: 1 - Inside Adapter Plate 1 - Outside Adapter Plate 2 - #8-32 Phillips Flat Hd Under-cut Machine Screws 1 - Knob Release Tool for 1-3/8" Door for 1-3/4" Door for 2-1/4" Door

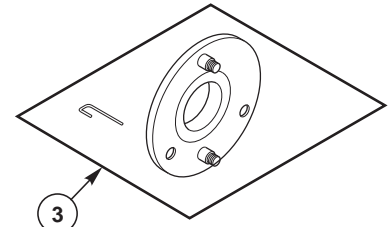
ITEM	PART NO.	DESCRIPTION
4	428F32 428F33 428F34	Adapter Packet - Half Working Trim, containing: 1 - Adapter Plate 2 - #8-32 Phillips Flat Hd Machine Screws 1 - Knob Release Tool for 1-3/8" Door for 1-3/4" Door for 2-1/4" Door
5	438F37	Adapter Packet - Cast Knob Half Dummy Trim, containing: 1 - Adapter Plate 4 - #8 Phillips Flat Hd Combination Screws 1 - Adjusting Nut 1 - Spindle Sub Assembly 1 - Sleeve 1 - Spacer



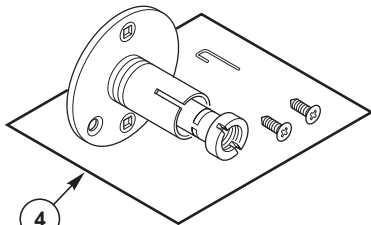
1 Full Working Trim Sectional
(Also for M & N Escutcheons with Wrought Knobs)



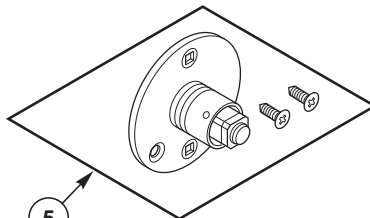
2 Half Dummy Trim Sectional Levers



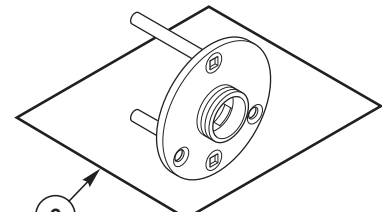
3 Half Working Trim Sectional Levers



4 Half Dummy Trim* Sectional & M & N Escutcheons Wrought Knobs



5 Half Dummy Trim Sectional Cast Knobs



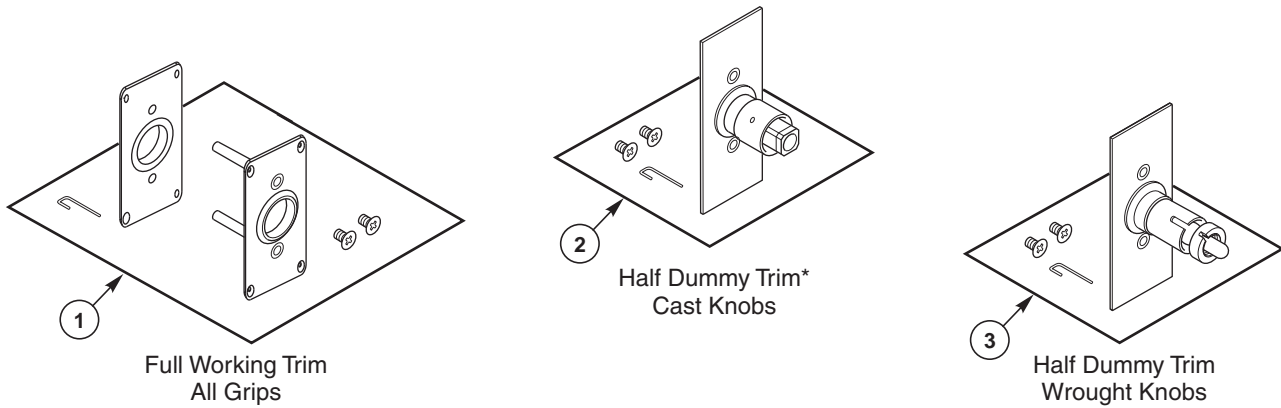
6 Full Dummy Trim Sectional Levers

NOTE: Each adapter packet comes with appropriate size adapter plates & screws for door thickness as ordered.

ITEM	PART NO.	DESCRIPTION
1	466F40 466F41 466F42	Adapter Packet - Full Working Trim, containing: 1 - Inside Adapter Plate 1 - Outside Adapter Plate 2 - #8-32 Phillips Flat Hd Undercut Machine Screws 1 - Knob Release Tool for 1-3/8" Door for 1-3/4" Door for 2-1/4" Door
2	488F30	Adapter Packet - Lever Half Dummy Sectional Trim, containing: 1 - Adapter Plate 1 - Spindle 2 - #8 Phillips Flat Head Combination Screws 2 - #8 Hollow Countersunk Washers
3	437F40 437F41 437F42	Adapter Packet - Half Working Sectional Trim, containing: 1 - Adapter Plate 2 - #8-32 Phillips Flat Hd Undercut Machine Screws 1 - Knob Release Tool for 1-3/8" Door for 1-3/4" Door for 2-1/4" Door

ITEM	PART NO.	DESCRIPTION
4	511F51	Adapter Packet - Wrought Knob, Half Dummy Trim, containing: 1 - Adapter Plate 2 - #8-32 Phillips Flat Hd Combination Screws 1 - Knob Release Tool 1 - Knob Catch Assembly 1 - Adj. Locknut Assembly 1 - Spindle Sub Assembly 1 - Knob Shank Adapter
5	438F38	Adapter Packet - Cast Knob Half Dummy Trim, containing: 1 - Adapter Plate 2 - #8 Phillips Flat Hd Combination Screws 1 - Adjusting Nut 1 - Spindle Sub Assembly 1 - Sleeve 1 - Spacer
6	437F16	Adapter Packet - Full Dummy Sectional Lever Trim, containing: 1 - Adapter Plate 1 - Sleeve 1 - Bushing

* For Full Dummy Sectional Trim, order 2 each 511F51 adapter packets.



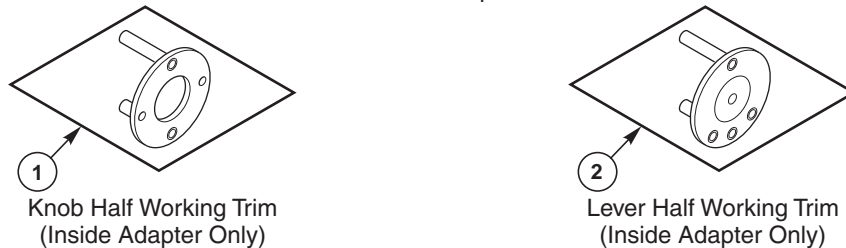
NOTE: Each adapter packet comes with appropriate size adapter plates & screws for door thickness as ordered.

ITEM	PART NO.	DESCRIPTION	ITEM	PART NO.	DESCRIPTION
1	466F73 466F74 466F75	Adapter Packet - Full Working Trim, containing: 1 - Inside Adapter Plate 1 - Outside Adapter Plate 2 - #8-32 Phillips Flat Hd Undercut Machine Screws 1 - Knob Release Tool for 1-3/8" Door for 1-3/4" Door for 2-1/4" Door	3	511F52	Adapter Packet - Wrought Knob, Half Dummy Trim, containing: 1 - Adapter Plate 2 - #8-32 Phillips Flat Hd Combination Screws 1 - Knob Release Tool 1 - Knob Catch 1 - Locknut Assembly 1 - Spindle Sub Assembly 1 - Knob Adapter
2	440F17	Adapter Packet - Cast Knob x P Escutcheon Half Dummy Trim, containing: 1 - Adapter Plate 2 - #8-32 Phillips Flat Hd Undercut Machine Screws 1 - Adjusting Nut 1 - Spindle Sub Assembly 1 - Sleeve 1 - Spacer			

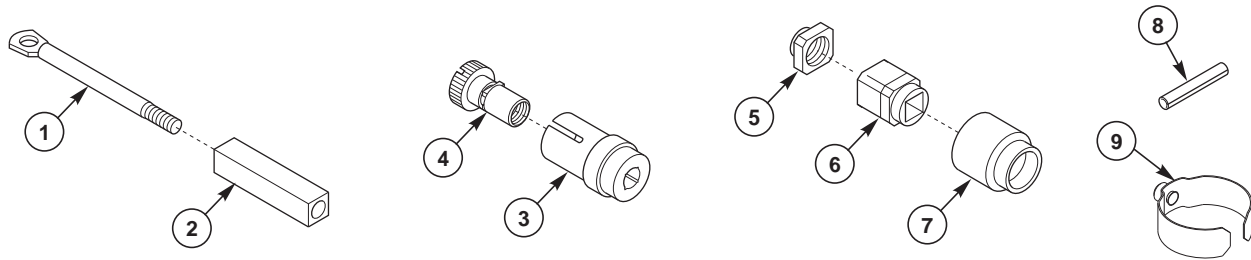
* For Full Dummy Knob Trim, order 2 each 440F17 adapter packets.

Adapter Packets - All Escutcheons - Half Working Trim

NOTE: Retainer 427F07-8 required for installation.



ITEM	PART NO.	DESCRIPTION	ITEM	PART NO.	DESCRIPTION
1	427F06	Adapter Packet - Knob Half Working Trim, containing: 1 - Inside Adapter Plate	2	488F27	Adapter Packet - Lever Half Working Trim, containing: 1 - Inside Adapter Plate

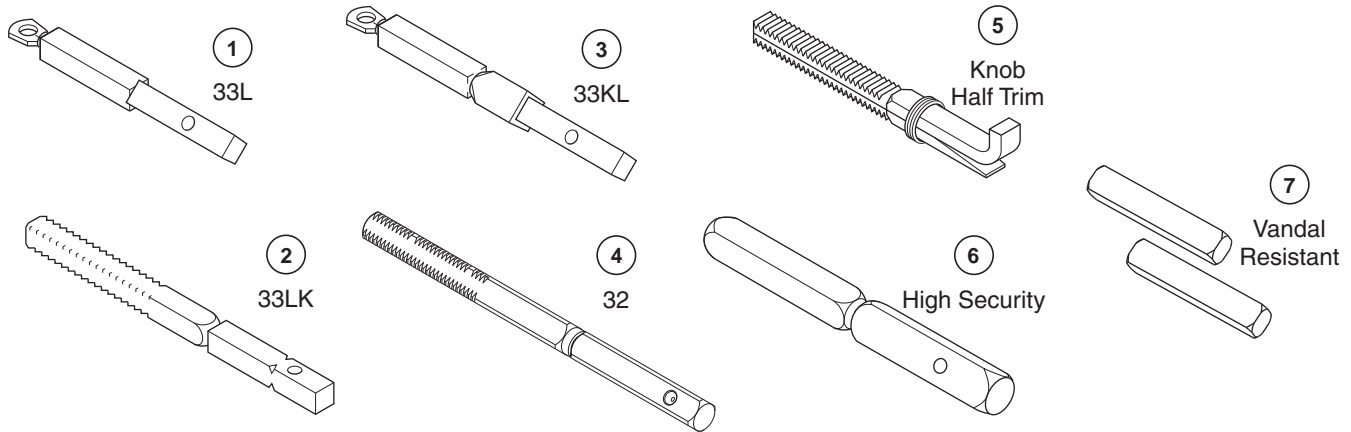


ITEM	PART NO.	DESCRIPTION
1	483F34-8 483F35-8 483F36-8	Adjusting Bolt for Lever Half Trim for: 1-3/8" Door 1-3/4" Door 2-1/4" Door
2	483F31-8 680F35-8 483F33-8	Inside Spindle for Lever Half Trim for: 1-3/8" Door 1-3/4" Door 2-1/4" Door
3	483F11-8	Knob Shank Adapter*

ITEM	PART NO.	DESCRIPTION
4	482F37-8	Adjustable Locknut Assembly
5	118F48-8	Adjusting Nut for Cast Knob
6	497F52-8	Spacer for Cast Knob
7	<i>Specify Finish</i> 206F53-8	Sleeve for Cast Knob
8	228F54-8	Roll Pin for Knob or Lever Spindle
9	377F30-8	Catch Assembly, Knob

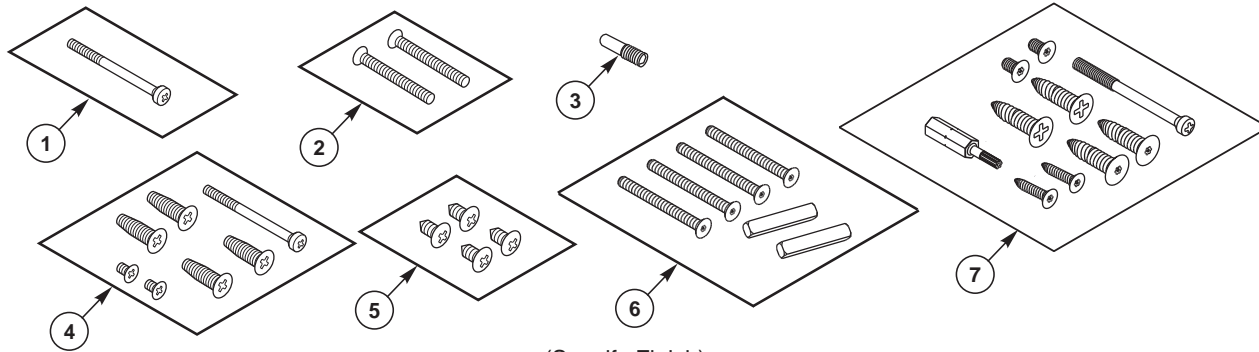
* Spring Clip not part of Knob Shank Adapter. Order item #9.

Spindles



ITEM	PART NO.	DESCRIPTION
1	499F82-8 499F83-8 499F84-8	33L (Lever x Lever) Spindle for: 1-3/8" Door 1-3/4" Door 2-1/4" Door
2	499F86-8 499F87-8 499F88-8	33LK (Lever x Knob) Spindle for: 1-3/8" Door 1-3/4" Door 2-1/4" Door
3	499F90-8 499F91-8 499F92-8	33KL (Knob x Lever) Spindle for: 1-3/8" Door 1-3/4" Door 2-1/4" Door

ITEM	PART NO.	DESCRIPTION
4	696F57-8 696F58-8 696F59-8	32 (Knob x Knob) Spindle for: 1-3/8" Door 1-3/4" Door 2-1/4" Door
5	303F18-8 303F19-8 303F20-8	Spindle for Knob Half Trim for: for 1-3/8" Door for 1-3/4" Door for 2-1/4" Door
6	445F41-8 498F84-8 498F85-8	High Security Spindle for: 1-3/8" Door 1-3/4" Door 2-1/4" Door
7	700F38-8	Vandal Resistant Spindles



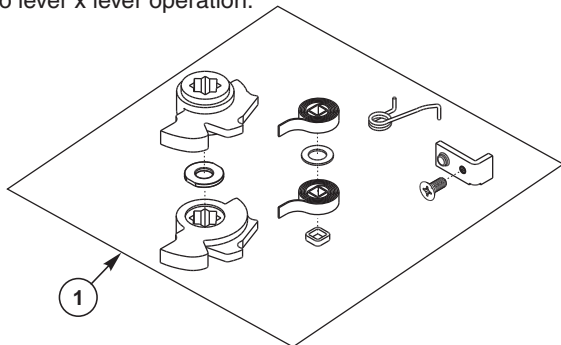
(Specify Finish)

ITEM	PART NO.	DESCRIPTION
1	488F08 488F10	Cylinder Set Screw Packet for Standard MR Option
2	433F76 433F77 433F78 439F33 439F33 439F33	Throughbolt Packet for M & P Escutcheons, containing: 2 - #8-32 Phillips Oval Hd Machine Screws for 1-3/8" Door for 1-3/4" Door for 2-1/4" Door Throughbolt Packet for R & L Escutcheons, containing: 2 - #10-24 Phillips Oval Hd Machine Screws for 1-3/8" Door for 1-3/4" Door for 2-1/4" Door
3	483F30	Dowel Screw for Inside Lever
4	429F41	Mortise Lock Mounting Packet, (Std.) containing: 1 - Cylinder Set Screw 4 - #12 Phillips Flat Head Undercut Combination Screws 2 - #8 x 1/4" Phillips Flat Head Undercut Machine Screws
5	429F31	Screw Packet for N Surface Mounted Escutcheons, containing: 4 - #6 x 1/2" Phillips Oval Head Type A Tapping Screws

ITEM	PART NO.	DESCRIPTION
6	700F65 700F66 700F67	Screw & Spindle Packet for VR Trim Containing: 4 - #10 - 24 x 2" FHUM Torx® Pin Screws 2 - Spindles for 1-3/4" Door for 2" Door for 2-1/4" Door
7	616F12 368F97 383F34 614F90 614F95 688F07 616F07 465F57 402F91 383F34 614F90 614F95 688F07 616F07 488F09 488F10 383F34 221F51	Mortise Lock Mounting Packet, MR x Torx® (M04) containing: 1 - Cylinder Set Screw 2 - #12 Phillips FHU Combination Screws 2 - #12 x 1" FHU Torx® Pin Combination Screw 2 - #8-32 x 1/4" Torx® Pin FHMU Screw 2 - #6 x Torx® Pin Flat Head Screw 1 - Torx® Pin Driver Bit Mortise Lock Mounting Packet, HS & VR, containing: 1 - Cylinder Set Screw 2 - #12 Phillips FHU Combination Screws 2 - #12 x 1" FHU Torx® Pin Combination Screw 2 - #8-32 x 1/4" Torx® Pin FHMU Screw 2 - #6 x Torx® Pin Flat Head Screw 1 - Torx® Pin Driver Bit Mortise Lock Mounting Packet, MR, containing: 1 - Cylinder Set Screw 2 - #12 Phillips FHU Combination Screws 2 - #8-32 x 1/4" Phillips Flat Head Undercut Machine Screws

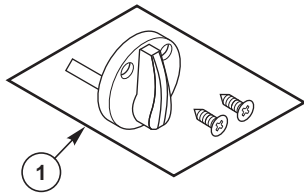
Mortise Lock Conversion Kit

This kit converts locks from knob x knob to lever x lever operation.

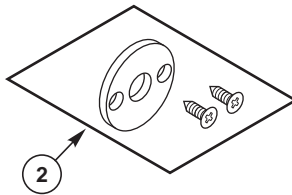


ITEM	PART NO.	DESCRIPTION
1	683F34	Mortise Lock Conversion Kit, for Locks with Movable Stops, containing:
	684F09-M	1 - Hub, Cap Side
	684F10-M	1 - Hub, Case Side
	684F11-9	1 - Spacer, Hub
	404F85-M	2 - Spring, Lever Return
	684F12-9	1 - Spacer, Spring
	466F22-9	1 - Spacer
	565F04-M	1 - Spring, Hub Lever
	404F86-M	1 - Bracket, Hub Alignment
	684F18-M	1 - Screw, FHUM-PH-TITE #8-32x3/8"

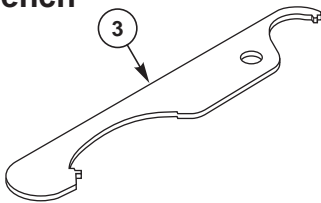
Thumbturn Lever



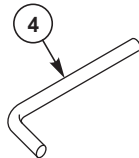
Key Plate Packet



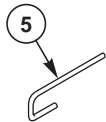
Thimble/Rose Wrench



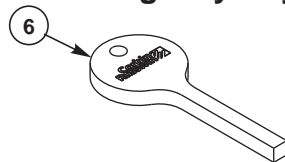
Hex Wrench



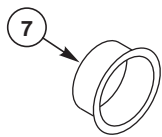
Knob Release Tool



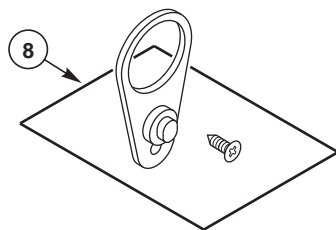
Emergency Key



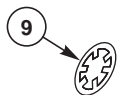
Nylon Bushing



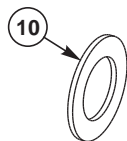
Sectional Occupancy Indicator Pkt.



Retainer



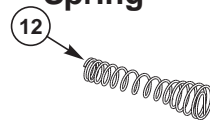
Washer



Retaining Ring

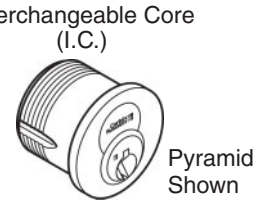


Lever Spindle Spring



ITEM	PART NO.	DESCRIPTION
1	<i>Specify Finish</i> 519F09 519F10 519F11 519F12 581F96	Thumbturn Lever Packet, containing: 1 - Thumbturn Lever 2 - #6 x 1/2" Phillips Oval Head, Type A Screws for 1-3/8" Door for 1-3/4" Door for 2-1/4" Door for up to 3" Door for up to 4" Door
2	<i>Specify Finish</i> 438F90	Key Plate Packet, containing: 1 - Key Plate 2 - #6 x 1/2" Oval Truss Hd. Screws
3	300F68-8	Thimble/Rose Wrench
4	264F69-8	Hex Wrench
5	391F65-8	Knob Release Tool
6	605F42-8	Emergency Key for Privacy Function
7	118F29-9	Nylon Bushing for all Adapters & Cast Escutcheons
8	429F08 416F84 484F74	Sectional Trim Occupancy Indicator Packet, containing 1 - Indicator Assembly 1 - Indicator Collar 1 - #6 x 1/2" Phillips Oval Head Tapping Screw for 1-3/8" Door for 1-3/4" Door for 2-1/4" Door
9	427F07-8	Retainer
10	700F37-8	Washer for VR Trim
11	700F16-8	Retaining Ring for VR Trim
12	700F36-7	Lever Spindle Spring for VR Trim

Conventional (standard for ML2000)
 Security (standard for ML2000HS)
 Pyramid (optional)
 IC
 2 nickel silver keys
 Finishes: See Key Systems and Pyramid catalogs.



Pyramid Shown

	Mortise Cylinder Type	Hotel Function	55, 69* & (Inside) Function	All Other Keyed Functions
HS VR	Pyramid PHS	N/A	1020-114-A02	1020-114-A01
HS VR	Pyramid PCHS	N/A	1030-114-A02	1030-114-A01
HS VR	Conventional 6-pin	1001-114-A01	1000-118-A02	1000-118-A01
HS VR	7-pin	N/A	1000-114-A02-7	1000-114-A01-7
HS VR	6-pin IC	1081-138-A01	1080-114-A02	1080-114-A01
HS VR	7-pin IC	N/A	1080-112-A02-7	1080-112-A01-7
HS VR	Security IC	1091-138-A01	1090-114-A02	1090-114-A01
HS VR	Security	1011-114-A01	1010-118-A02	1010-118-A01
	Flex Head	1101-118-A01	1100-100-A02	1100-100-A01
	Flex head 7-pin	N/A	1100-118-A02-7	1100-118-A01-7
	Master ring	N/A	1060-118-A02-7	1060-118-A65**
	Master ring flex head	N/A	1160-100-A62	1060-100-A65**
HS VR	Blockout	N/A	1012 114-A02	1012-114-A01
	Plug only to show (concealed shell)	1201-114-A01	1200-118-A02	1200-118-A01
	Plug only to show 7-pin (concealed shell)	N/A	1200-114-A02-7	1200-114-A01-7

For complete Pyramid information and options refer to Pyramid catalog.
 To order cylinder separately, specify Part No. x Keyway x Finish (e.g. 1000-118-A01 x L4 x 626).

HS Indicates cylinder is available with ML2000HS lockset.

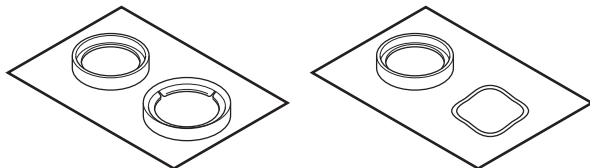
VR Indicates function is available with ML2000VR lockset.

*69 function is not offered with ML2000HS or ML2000VR.

**Deadbolt function require A61 cam.

Cylinder Collars -

For Standard Cylinder in ML2000 Series Locksets and Mortise Exit Devices with Sectional Trim



NOTES

1. There is no Corbin Russwin configuration which requires 1-3/8" cylinders in a double cylinder function. Collars for this combination are shaded and are referenced only for other manufacturer's cylinders.
2. The T & V-escutcheons is not available for 1-3/8" doors, so that configuration is not in this table.
3. Double cylinder functions use the same collar on both sides, unless otherwise specified.

APPLICATION			CYLINDER				
Door	Function	Trim	1" 5-Pin	1-1/8" 6-Pin Standard	1-1/4" 6-Pin IC, 7-Pin, Hotel, Blockout	1-3/8" Hotel IC	1-1/2" 7-Pin IC
1-3/8" Door	Single Cylinder	Sectional	253F97	605F43	447F43	609F36	609F37
		N escutcheon	253F97	253F97	605F43	605F43	609F37
		P escutcheon	253F97	610F01	447F43	609F36	609F37
		M escutcheon	253F97	253F97	605F43	609F36	609F37
		R escutcheon	none	447F42	610F01	447F43	609F36
		L escutcheon	none	447F42	610F01	447F43	609F37
	Double Cylinder	Sectional	605F43	609F36	609F37	609F38	609F38
		N escutcheon	605F43	447F43	609F36	609F37	609F37
		P escutcheon	610F01	447F43	609F36	609F37	609F37
		M escutcheon	610F01	447F43	609F36	609F37	609F37
		R escutcheon	610F01	447F43	609F36	609F37	609F37
		L escutcheon	610F01	447F43	609F36	609F37	609F37

APPLICATION			CYLINDER				
Door	Function	Trim	1" 5-Pin	1-1/8" 6-Pin Standard	1-1/4" 6-Pin IC, 7-Pin, Hotel, Blockout	1-3/8" Hotel IC	1-1/2" 7-Pin IC
1-3/4" Door	Single Cylinder	Sectional N escutcheon P escutcheon M escutcheon R escutcheon T escutcheon L escutcheon V escutcheon	253F97 253F97 use longer cyl. use longer cyl. none none none none	253F97 253F97 253F97 253F97 none none none none	605F43 253F97 253F98 253F97 447F41 none 447F41 none	605F43 605F43 610F01 605F43 447F42 447F41 447F42 700F53	609F36 605F43 447F43 447F43 610F02 447F42 610F02 700F53
	Double Cylinder	Sectional N escutcheon P escutcheon M escutcheon R escutcheon T escutcheon L escutcheon V escutcheon	253F97 253F97 447F41 x none 253F97 x none 197F34 x none none 197F34 x none none	610F01 253F97 447F42 253F97 447F41 447F41 447F42 none	447F43 605F43 610F02 605F43 447F42 447F42 610F01 700F53	609F37 447F43 447F43 447F43 610F02 610F02 447F43 700F53	609F37 609F36 609F36 609F36 447F43 609F36 609F36 705F92
2" Door	Single Cylinder	Sectional N escutcheon P escutcheon M escutcheon R escutcheon T escutcheon L escutcheon V escutcheon	253F97 use longer cyl. none none none use longer cyl. none not available	253F97 253F97 use longer cyl. use longer cyl. none use longer cyl. none none	253F97 253F97 253F97 253F97 none none none none	605F43 253F97 447F42 253F97 447F41 none 447F41 none	605F43 605F43 610F01 605F43 447F42 447F41 447F42 700F53
	Double Cylinder	Sectional N escutcheon P escutcheon M escutcheon R escutcheon T escutcheon L escutcheon V escutcheon	447F41 447F41 447F41 x none 253F97 x none none use longer cyl. none not available	253F97 253F97 447F41 x none 253F97 x none 197F34 x none none 197F34 x none not available	605F43 253F97 447F42 253F97 447F42 447F41 447F42 none	447F43 605F43 610F02 605F43 610F02 447F42 610F02 not available	609F36 447F43 447F43 447F43 447F43 610F02 447F43 700F53
2-1/4" Door	Single Cylinder	Sectional N escutcheon P escutcheon M escutcheon R escutcheon T escutcheon L escutcheon V escutcheon	use longer cyl. use longer cyl. use longer cyl. use longer cyl. use longer cyl. use longer cyl. none	253F97 253F97 use longer cyl. use longer cyl. use longer cyl. use longer cyl. none	253F97 253F97 use longer cyl. use longer cyl. none use longer cyl. none none	253F97 253F97 253F97 253F97 253F97 none none none	605F43 253F97 253F98 253F97 447F41 none 447F41 none
	Double Cylinder	Sectional N escutcheon P escutcheon M escutcheon R escutcheon T escutcheon L escutcheon V escutcheon	447F41 use longer cyl. use longer cyl. use longer cyl. use longer cyl. use longer cyl. none	447F41 447F41 447F41 x none 253F97 x none none none none 197F34 x none none	253F97 253F97 447F41 x none 253F97 x none 197F34 x none none 197F34 x none none	605F43 253F97 447F42 253F97 447F42 447F41 447F42 none	447F43 605F43 610F02 605F43 610F02 447F42 447F42 610F02 none

Master Ring Collars for Master Cylinders in ML2000 Series Locksets

APPLICATION			CYLINDER		
Door	Function	Trim	1-1/8" Standard	1-1/4"	1-3/8" 7-Pin
1-3/8"	Single Cylinder	Sectional N escutcheon M escutcheon	447F46 447F45* 447F45*	447F46 447F46 447F46	not avail. 447F46 not avail.
	Double Cylinder	Sectional N escutcheon M escutcheon	not avail. 447F46 447F46	use shorter cyl.	not avail.
1-3/4"	Single Cylinder	Sectional N escutcheon M escutcheon	447F45* 447F44* 447F44*	447F45* 447F44* 447F44*	447F46 447F45* 447F45*
	Double Cylinder	Sectional N escutcheon M escutcheon	447F46 447F45* 447F45*	use shorter cyl. 447F46 447F46	not avail. 447F46 not avail.
2"	Single Cylinder	Sectional N escutcheon M escutcheon	447F44 447F44 none	447F45* 447F44* 447F44*	447F45* 447F44* 447F44*
	Double Cylinder	Sectional N escutcheon M escutcheon	447F45* 447F44 447F44 x none	447F46 447F45* 447F45*	not avail. 447F46 447F46
2-1/4"	Single Cylinder	Sectional N escutcheon M escutcheon	447F44 use longer cyl. use longer cyl.	447F44 447F44 none	447F45* 447F44* 447F44*
	Double Cylinder	Sectional N escutcheon M escutcheon	447F44 447F44 447F44 x none	447F45* 447F44 447F44 x none	447F46 447F45* 447F45*

*ML2042 and ML2055 require 447F46

Flexible Head Spacers for ML2000 Series Locksets

CONVENTIONAL CYLINDER

APPLICATION		CYLINDER		
Door	Function	1" 6-pin std.	1-1/8" 7-pin std.	1-1/4"
1-3/8"	Single Cylinder	370F29	252F82	Use Shorter Cylinder
1-3/4"	Single Cylinder	None	370F29	370F31
	Double Cylinder	370F31	252F82	Use Shorter Cylinder
2"	Single Cylinder	None	None	370F29
	Double Cylinder	None	370F31	252F82
2-1/4"	Single Cylinder	Use Longer Cylinder	None	None
	Double Cylinder	None	None	370F31

MASTER RING

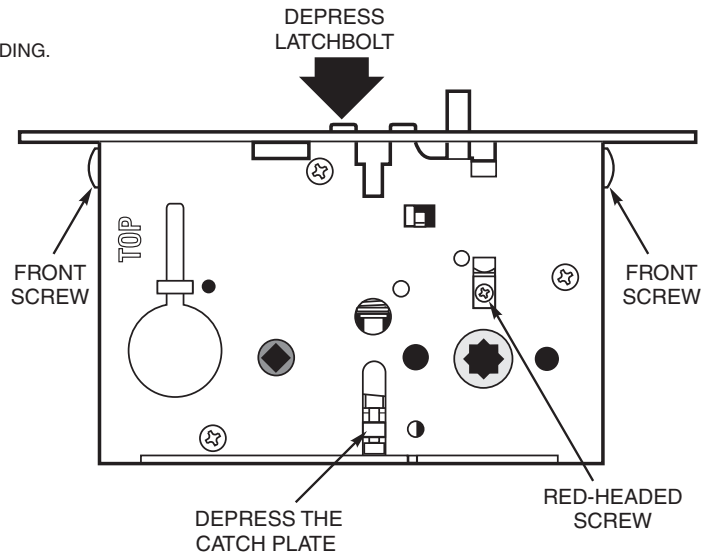
APPLICATION		CYLINDER		
Door	Function	1" 6-pin std.	1-1/8" 7-pin std.	1-1/4"
1-3/8"	Single Cylinder	370F35	370F35	Use Shorter Cylinder
1-3/4"	Single Cylinder	None	370F33	370F35
	Double Cylinder	370F35	370F35	Use Shorter Cylinder
2"	Single Cylinder	None	None	370F33
	Double Cylinder	370F33	370F35	370F35
2-1/4"	Single Cylinder	Use Longer Cylinder	None	None
	Double Cylinder	None	370F33	370F35

Please read completely before proceeding and review the drawing below.

NOTE

MINIMAL FORCE IS REQUIRED TO REVERSE THE HANDING.

1. Remove the armored front.
2. Remove the lockset from the door.
3. Fully depress the latchbolt and hold in the depressed position.
4. With minimal force, depress the catchplate, located at the end of the latchtail, through the oblong cutout in the lockcase cap. While depressing the catch plate, release the latchbolt and remove the latch from the lock.
5. Turn the latchbolt over and reinstall into the lock.
6. Depress the latchbolt until it re-engages the tail socket. If necessary, depress the catchplate to assist re-engagement. Pull latchbolt to ensure proper engagement.
7. Remove the red-headed screw from the stopworks and screw it into the stopworks on the opposite side of the case.
8. Loosen front screws to change the bevel. Tighten front screws.
9. Reinstall the lock and armored front into the door.
10. If changing bevel (door swing) only, i.e. RH to RHR or LHR to LH, do only steps 1 through 9, skipping step 7.





ASSA ABLOY

In U.S.

Corbin Russwin
Architectural Hardware
225 Episcopal Road
Berlin, CT 06037
Phone: 800-543-3658
Fax: 800-447-6714
corbinruswin.com

In Canada

ASSA ABLOY Door
Security Solutions Canada
160 Four Valley Drive
Vaughan, Ontario
Canada L4K 4T9
Phone: 800-461-3007
Fax: 905-738-2478
www.assaabloy.ca

For more information regarding Corbin Russwin Locksets, Exit Devices, Door Controls and Key Systems, contact your authorized Corbin Russwin Distributor or Sales Representative.

Corbin Russwin and Design® is a registered trademark of Corbin Russwin, Inc, an ASSA ABLOY Group company. Other products' brand names may be trademarks or registered trademarks of their respective owners and are mentioned for reference purposes only. These materials are protected under US copyright laws. All contents current at time of publication. Corbin Russwin, Inc., an ASSA ABLOY Group company reserves the right to change availability of any item in this catalog, its design, construction, and/or its materials. Copyright © 2000, 2009 Corbin Russwin, Inc., an ASSA ABLOY Group company. All rights reserved. Reproduction in whole or in part without the express written permission of Corbin Russwin, Inc. is prohibited.

ASSA ABLOY is the global leader in door opening solutions, dedicated to satisfying end-user needs for security, safety and convenience.