

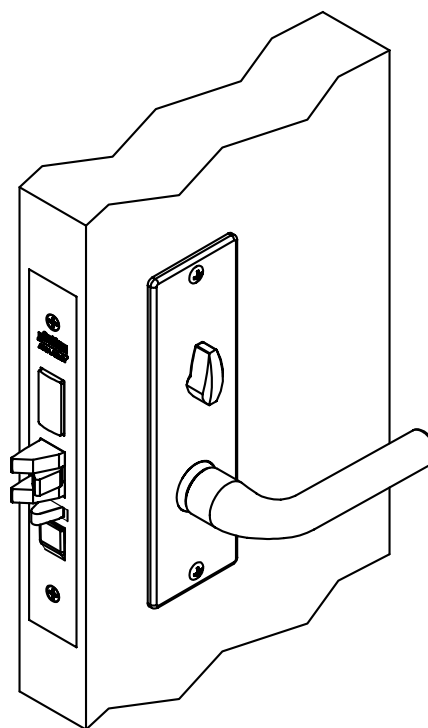
M, N and P Escutcheon Trim

ML2000 Series Mortise Locks

For Museo® Series Designer Trim,
refer to installation instructions FM601.

WARNING

This product can expose you to lead which is known to the state of California to cause cancer and birth defects or other reproductive harm. For more information go to www.P65warnings.ca.gov.



TOC

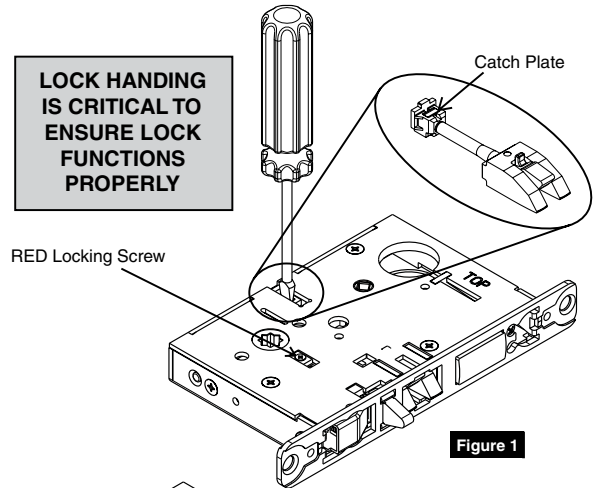
Table of Contents

| | | |
|---|---|---|
| 1 | Mortise Lock Handing Instructions | 2 |
| 2 | M, N and P Escutcheon Installation | 3 |
| 3 | Half Active M, N and P Escutcheon Installation | 5 |
| 4 | Full Dummy M, N and P Escutcheon Installation | 7 |
| 5 | Half Dummy M, N and P Escutcheon Installation | 8 |
| 6 | Installing Knobs Sold Before October 2017 ONLY: | 8 |

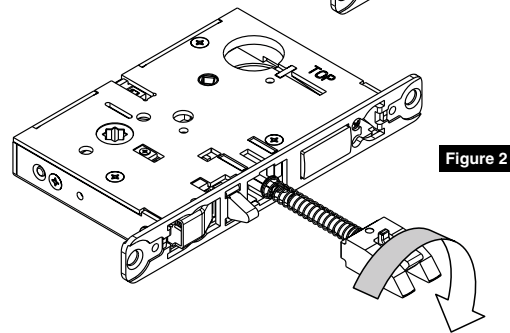
1

Mortise Lock Handing Instructions

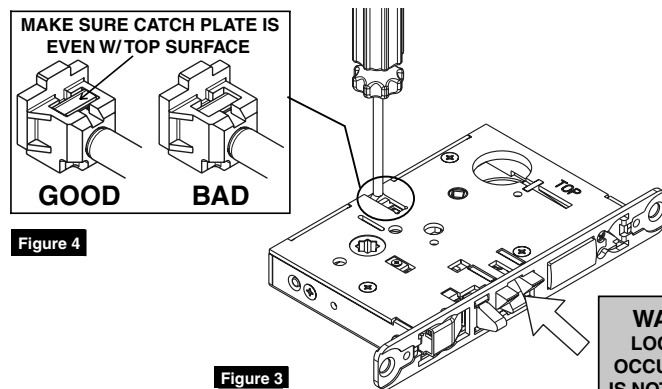
1. Move red locking screw to side of lockbody being locked.
2. Push in latch. Depress catch plate with screwdriver. (Figure 1)



3. Pull latch out of lock-body and turn latch over. (Figure 2)



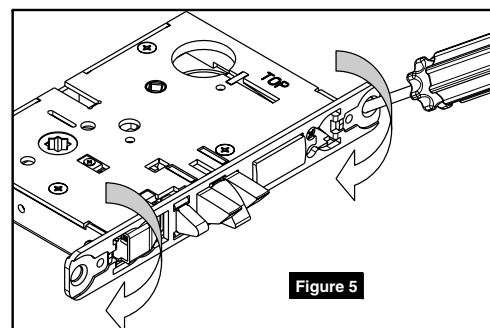
4. Push in latch while holding screwdriver behind latch tail. (Figure 8)



NOTE:

Push in latch until catch plate is no longer depressed. (Figure 4)

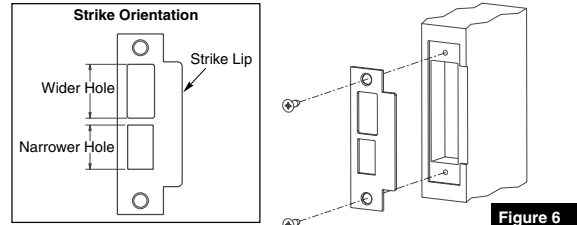
5. Rotate lock front to match bevel of door, as shown. (Figure 10)



2

M, N and P Escutcheon Installation

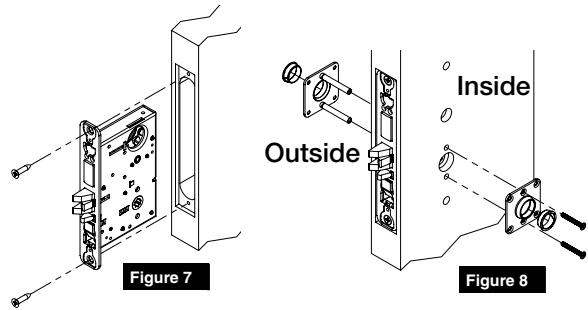
1. Install strike using shorter 3/4" strike mounting screws. If strike box is needed, insert between strike and door frame. (Figure 6)



2. Insert mortise lock into door and hand tighten longer 1" mounting screws. (Figure 7)

NOTE:

Make sure lock is unlocked. If lock has a toggle, push bottom of toggle inward to unlock during installation.

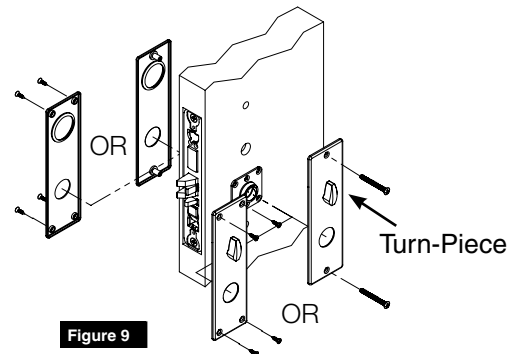


3. Install outside and inside adapter plates. (Figure 8)

4. Mount escutcheons. (Figure 9)

NOTE:

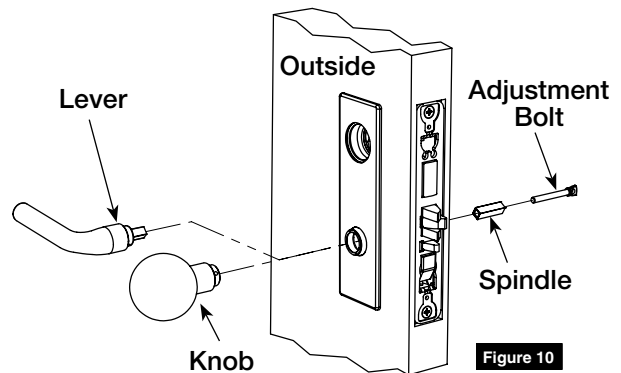
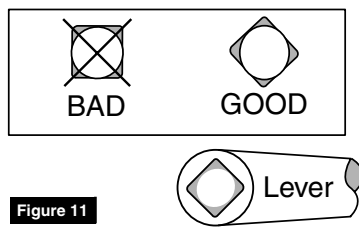
Make sure turn-piece is oriented vertically when installing escutcheon.



5. Install outside lever or knob by inserting adjustment bolt on opposite side of door. Tighten bolt finger-tight and then loosen a few turns. (Figure 10)

NOTE:

Use correct spindle orientation. (Figure 11)



2

M, N and P Escutcheon Installation, (cont.)

6. Install inside lever or knob by inserting dowel screw. (Figure 12)

NOTE:

Make sure adjustment bolt hole is aligned with lever or knob hole. (Figure 13)

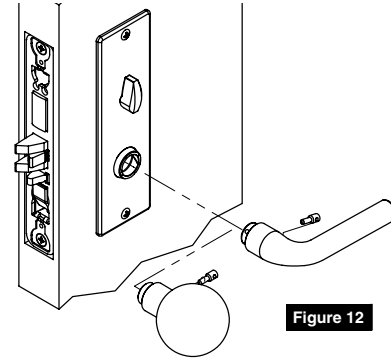


Figure 12

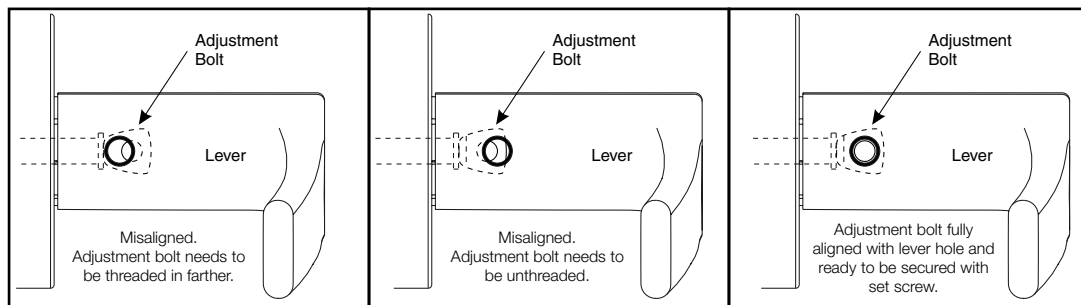


Figure 13

7. Install cylinder. Secure with cylinder set screw. (Figure 14)

NOTE:

- Pull key slightly out of cylinder to help thread into lockbody.
- Cylinder must be oriented correctly. (Figure 15)

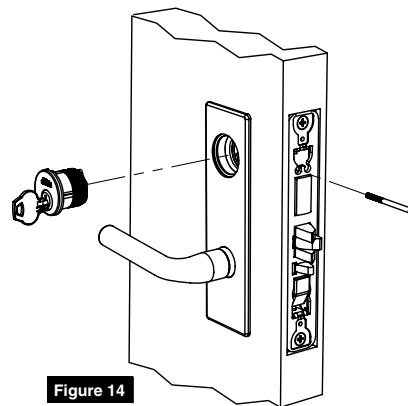


Figure 14

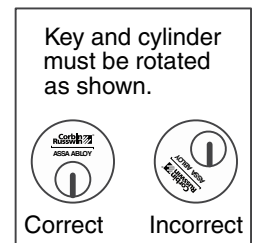


Figure 15

8. Tighten lock mounting screws.

9. Install armored front. (Figure 16)

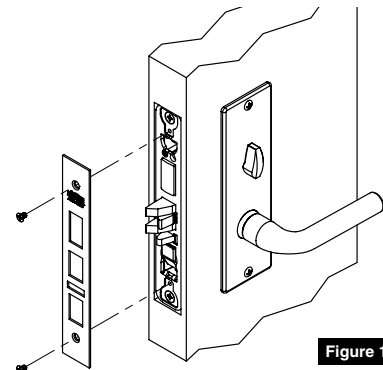


Figure 16

3

Half Active M, N and P Escutcheon Installation

1. Install strike using shorter 3/4" strike mounting screws. If strike box is needed, insert between strike and door frame. (Figure 17)

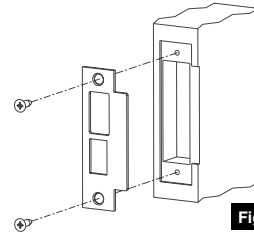


Figure 17

2. Insert mortise lock into door and hand tighten longer 1" mounting screws. (Figure 18)

NOTE:

Make sure lock is unlocked. If lock has a toggle, push bottom of toggle inward to unlock during installation.

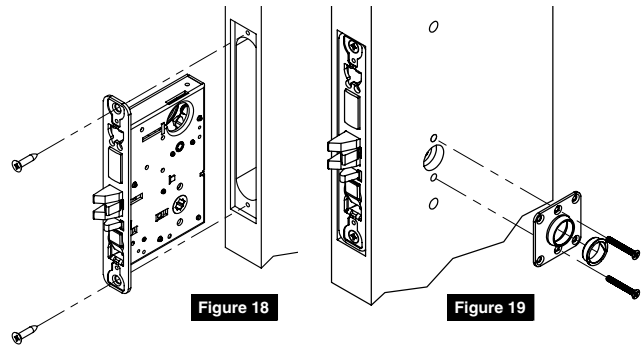


Figure 18

Figure 19

3. Install inside adapter plate. (Figure 19)

4. Mount escutcheon. (Figure 20)

5. Insert adjustment bolt and spindle. Tighten bolt finger-tight and then loosen a few turns. (Figure 21)

NOTE:

Use correct spindle orientation. (Figure 22)

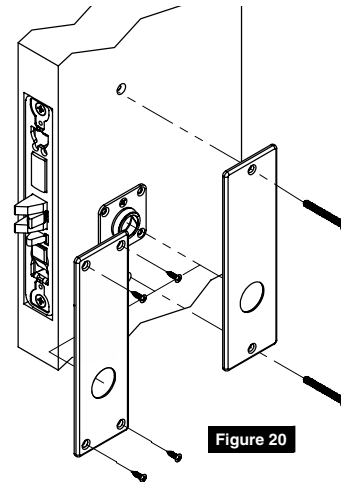


Figure 20

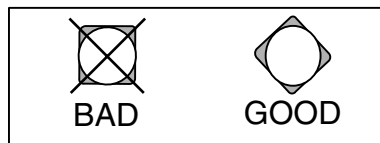


Figure 22

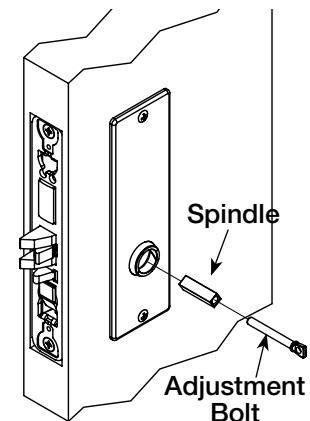


Figure 21

3

Half Active M, N and P Escutcheon Installation, (cont.)

7. Install inside lever or knob by inserting dowel screw. (Figure 23)

NOTE:

Make sure adjustment bolt hole is aligned with lever or knob hole. (Figure 24)

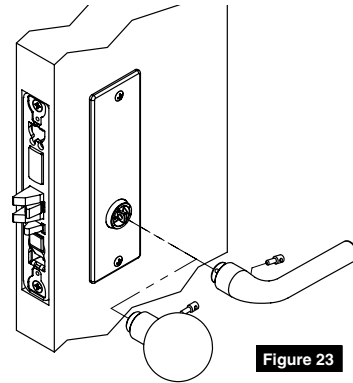


Figure 23

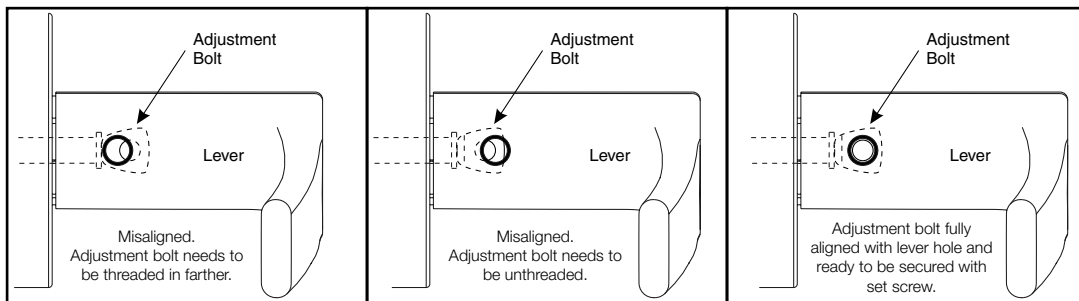


Figure 24

8. Tighten lock mounting screws.
9. Install armored front. (Figure 25)

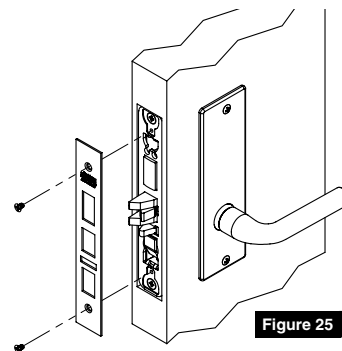


Figure 25

4

Full Dummy M, N and P Escutcheon Installation

1. Install outside and inside adapter plates.
(Figure 26)
2. Mount escutcheons onto adapter plates.
(Figure 27)
3. Install outside lever or knob by inserting adjustment bolt on opposite side of door. Tighten bolt finger-tight then loosen a few turns. (Figure 28)

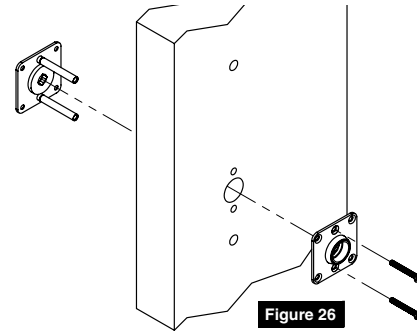


Figure 26

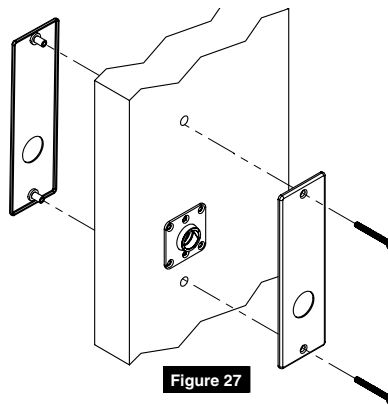


Figure 27

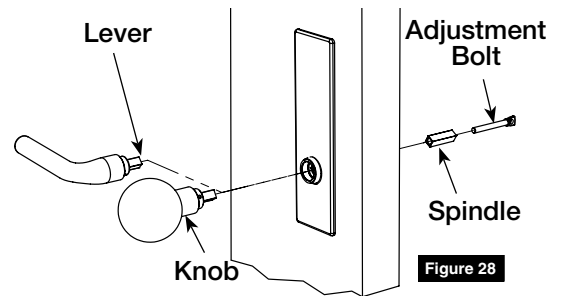


Figure 28

NOTE:

Use correct spindle orientation.
(Figure 29)

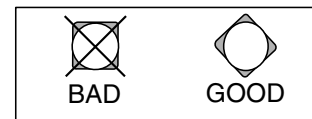


Figure 29



4. Install inside lever or knob by inserting dowel screw. (Figure 30)

NOTE:

Make sure adjustment bolt hole is aligned with lever or knob hole. (Figure 31)

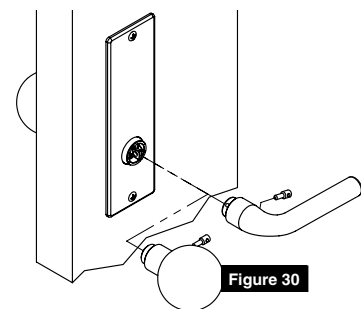


Figure 30

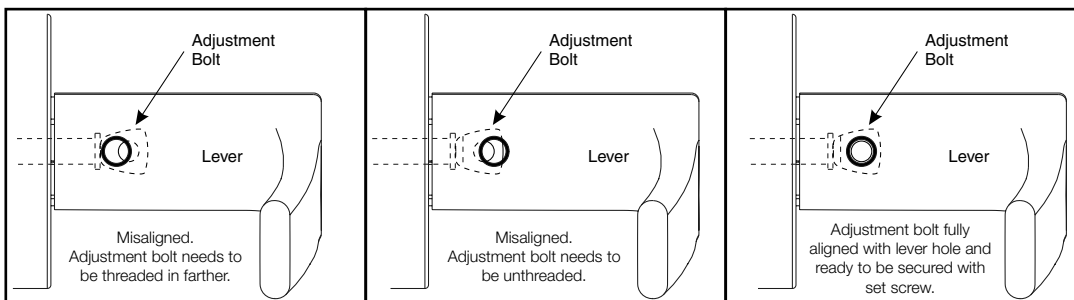


Figure 31

5

Half Dummy M, N and P Escutcheon Installation

1. Assemble and install outside dummy adapter plate. (Figure 32)
2. Install mounting screws and washers for the adapter plate. (Figure 33)
3. Mount escutcheon. (Figure 34)
4. Install mounting screws and washers for the escutcheon. (Figure 35)
5. Install inside lever or knob by inserting dowel screw. (Figure 36)

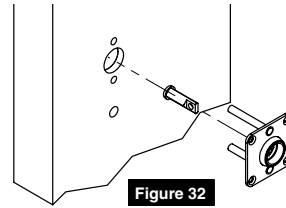


Figure 32

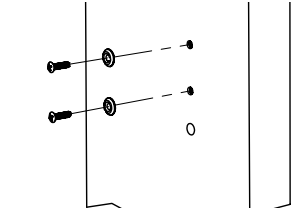


Figure 33

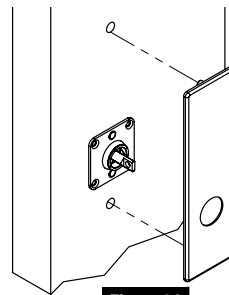


Figure 34

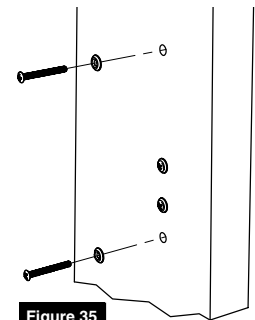


Figure 35

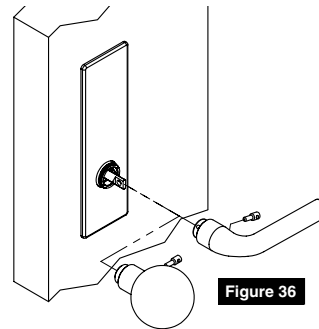


Figure 36

6

Installing Knobs Sold Before October 2017 ONLY:

Before inserting knob lockbody into door, push spacer out of lock using a screwdriver. (Figure 37)

NOTE:

Install spindles in square orientation. (Figure 38)

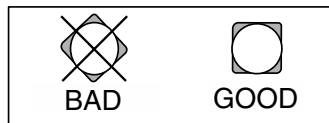


Figure 38

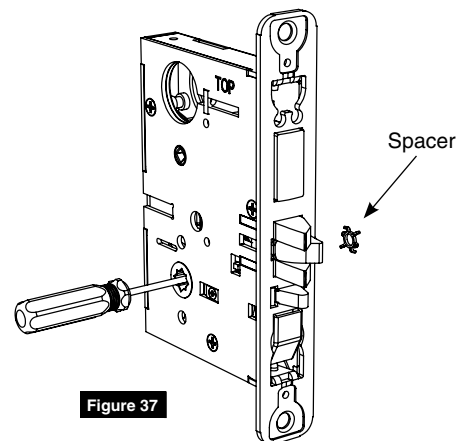


Figure 37

Corbin Russwin
225 Episcopal Road
Berlin, CT 06037
Phone: 800-543-3658
Fax: 800-447-6714
corbinrusswin.com

ASSA ABLOY is the global leader in door opening solutions, dedicated to satisfying end-user needs for security, safety and convenience

Corbin Russwin is a brand associated with ASSA ABLOY Access and Egress Hardware Group, Inc., an ASSA ABLOY Group company. Copyright © 2018, ASSA ABLOY Access and Egress Hardware Group, Inc. All rights reserved. Reproduction in whole or in part without the express written permission of ASSA ABLOY Access and Egress Hardware Group, Inc. is prohibited.

For installation assistance contact Corbin Russwin
1-800-543-3658 • techsupport.corbinrusswin@assaabloy.com