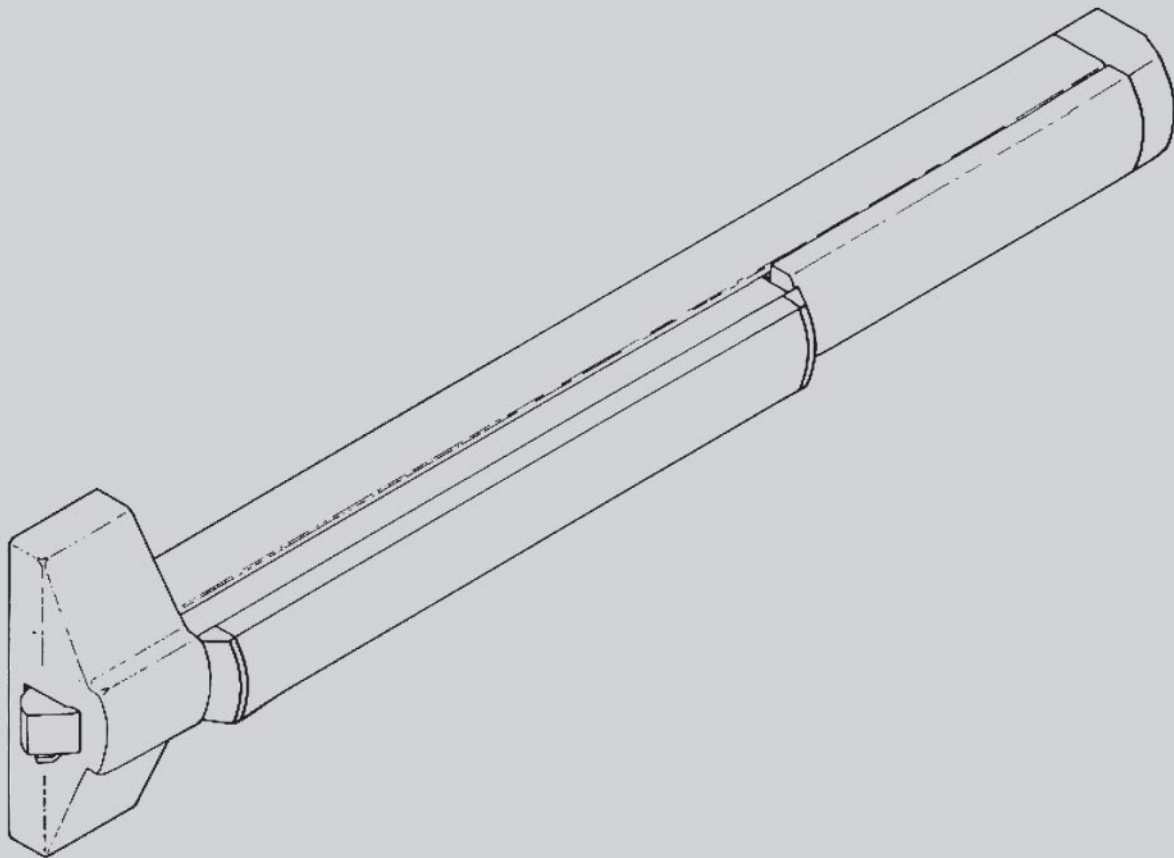


ED4000/ED5000 Series

Pushbar Exit Devices Parts Manual



- All fire rated components must be used only on fire rated exit devices. Doing otherwise would violate any type of product labeling or listing.
- Refer to the installation instructions for complete installation.
- Machine screws are provided for steel reinforced doors, wood screws are provided for wood door applications. In addition, sex nuts and bolts are provided for fire rated devices and are optional for non-rated devices. It is recommended that sex nuts and bolts be used for all exit device applications. This will improve the performance and extend the life of the product.
- In order to simplify the ordering procedure and maintain regulatory compliance, parts are only available as listed.
- For various special applications, optional parts are shaded on parts lists and diagrams.
- To order parts, use the appropriate Part Number and specify Finish (fin) as directed. For example, to order ten mullion stabilizer kits to match a Duranodic application, use the following configuration:

Quantity	Part Number	Finish	Hand
10	653F11-1	695	

For assistance, contact your authorized Corbin Russwin distributor or Corbin Russwin directly at the address on the back cover.

Device Series

- ED4200, ED5200, ED5200A - Rim Device 2
- ED4400, ED5400, ED5400A - Surface Vertical Rod Device 4
- ED5600, ED5600A - Mortise Device 6
- ED4800, ED5800A - Concealed Vertical Rod Device 8
- Main Bar Components 10
- Inactive Bar Components 12

Trim Parts

- x7 14
- x7M 16
- x8 18
- F2, F2M, F3, F3M, F4 20
- T13 22
- T13M 24
- T14, O14 26

Cross Reference Listing 28

Accessories 36

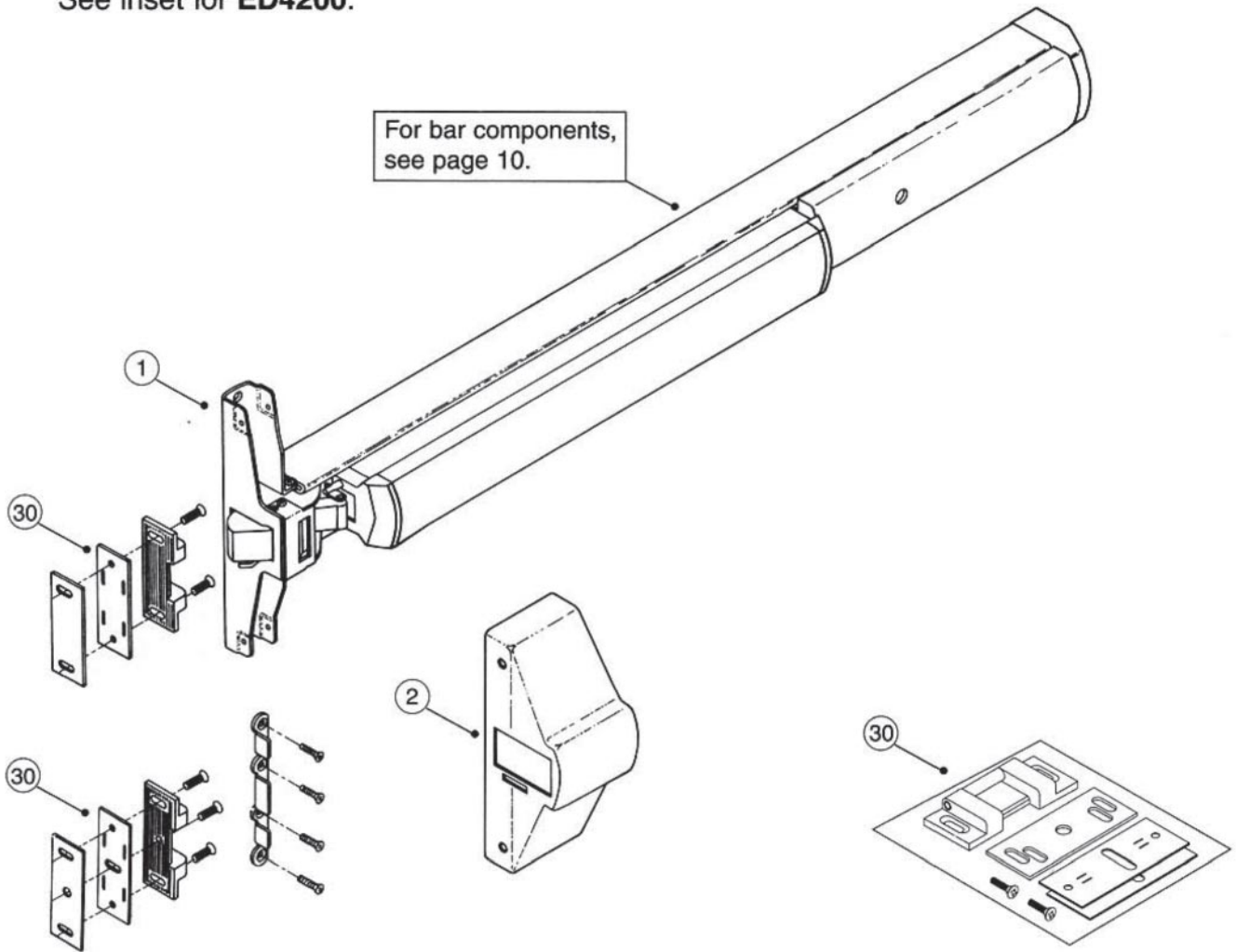
Mullions 38

Service

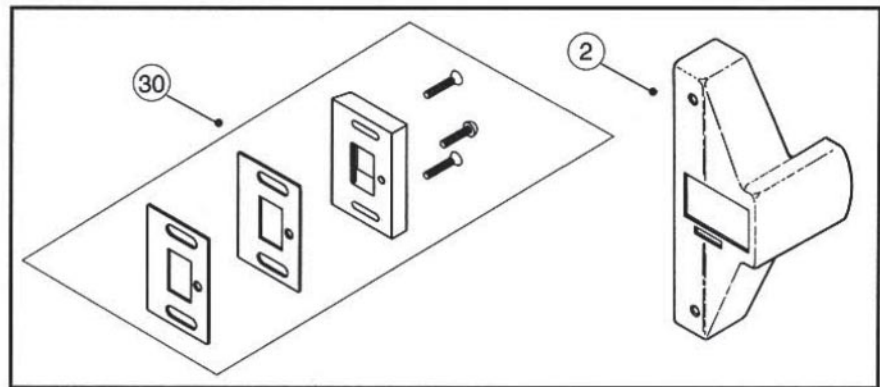
- General Troubleshooting 39
- Handing Instructions 40
- Surface Vertical Rod Adjustment 42
- Concealed Vertical Rod Adjustment 43

ITEM	PART NO.	SPECIFY	DESCRIPTION
①			Active Head
	650F37-8		ED4200
	650F35-8		ED5200
	650F36-8		ED5200A
②			Active Head Cover
	650F03	fin	ED4200
	650F00	fin	ED5200(A)
③			Strike Packet
	650F31-8	622	ED4200
	650F29-8	622	ED5200
	650F30-8	622	ED5200A

ED5200(A) fully illustrated.
See inset for **ED4200**.



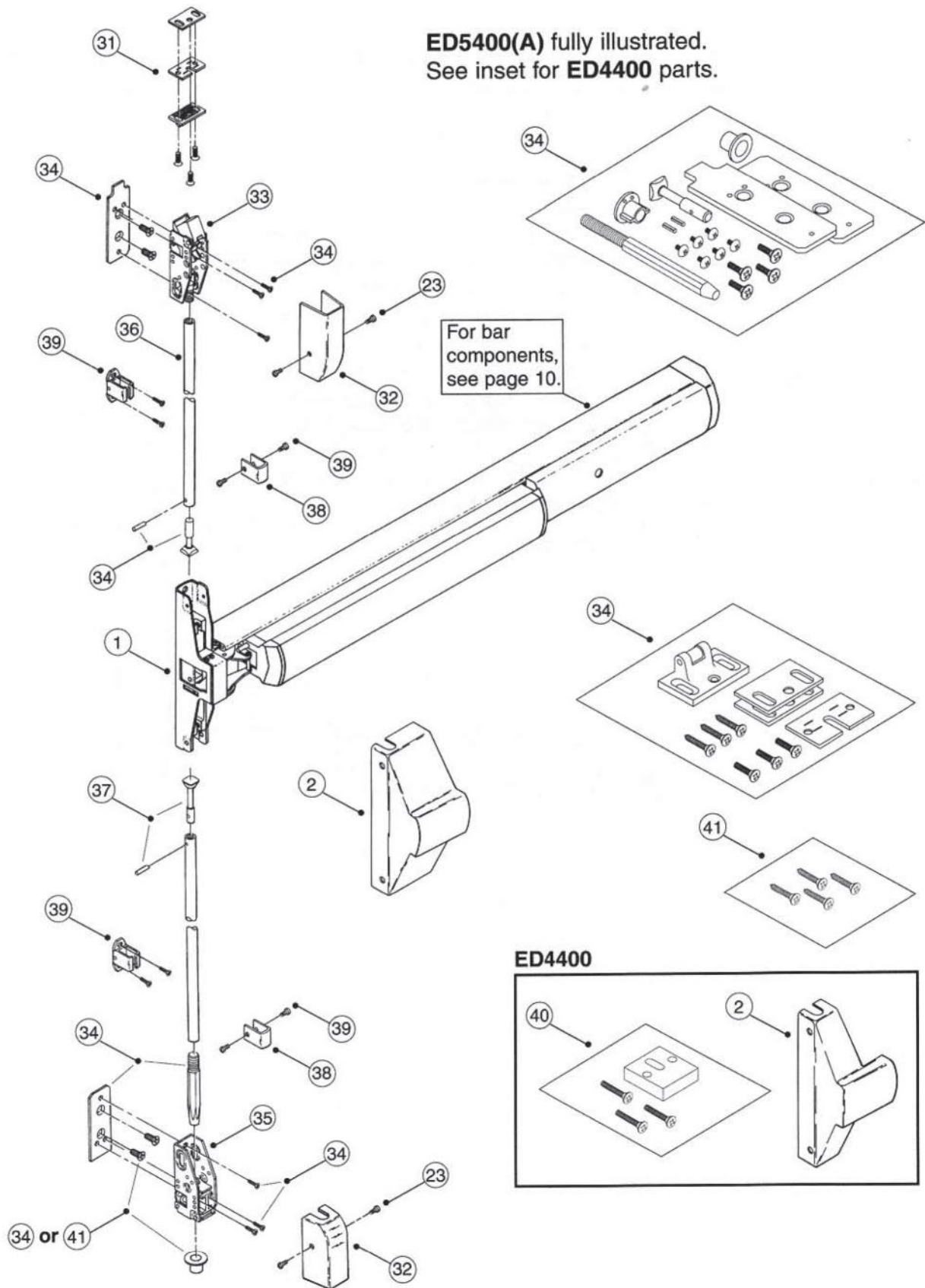
ED4200



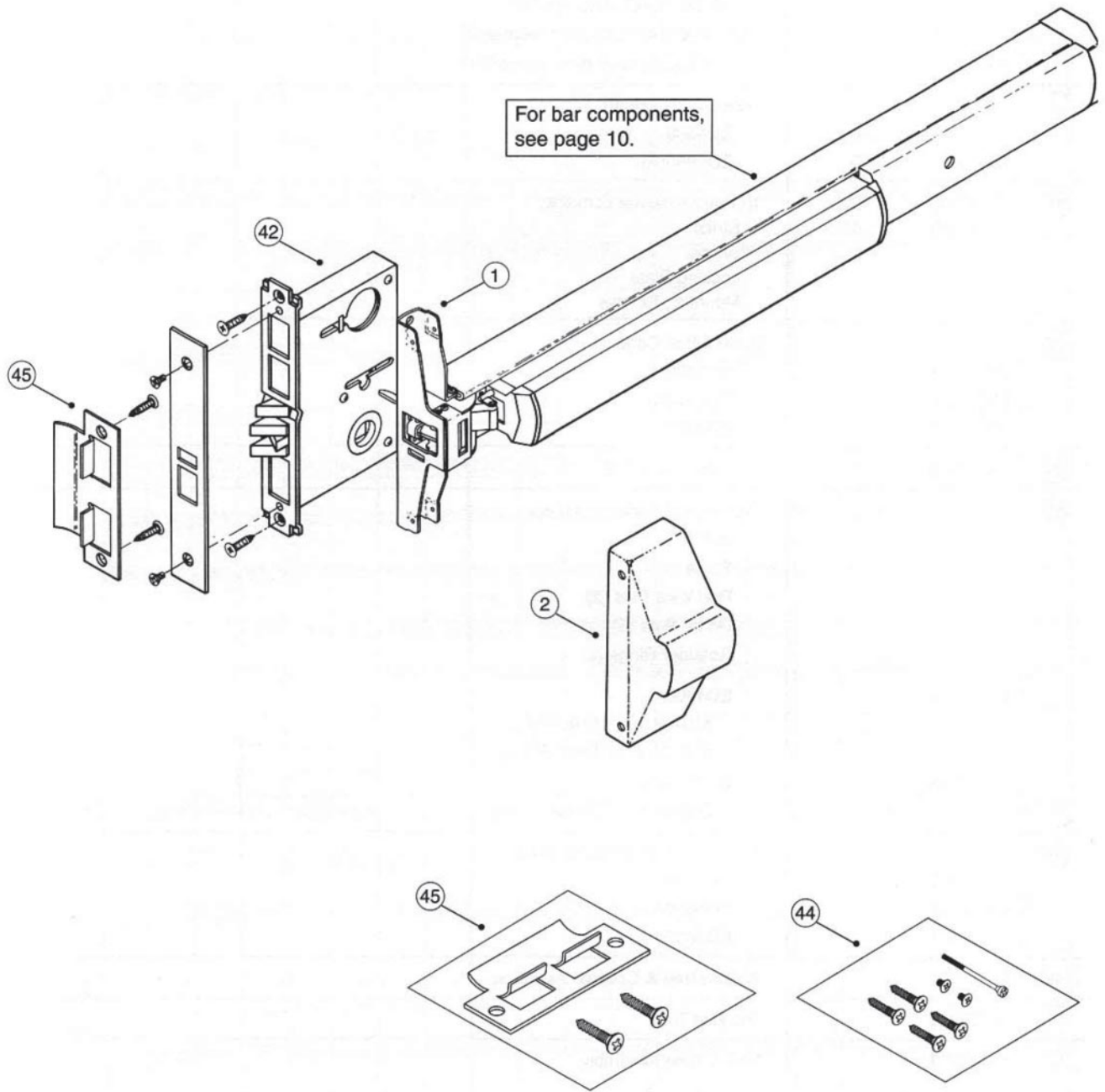
Rod Exit Device

ITEM	PART NO.	SPECIFY	DESCRIPTION	ITEM	PART NO.	SPECIFY	DESCRIPTION
①	650F40-8		Active Head ED4400 RHR (field reversible)	③⑤	650F58-8		Bottom Bolt Case ED4400, ED5400 ED5400(A)
	650F41-8		ED4400 LHR (field reversible)		650F59-8		
	650F38-8		ED5400(A) RHR (field reversible)	③⑥	650F60	fin	Top Rod
	650F39-8		ED5400(A) LHR (field reversible)	③⑦	649F99	fin	Bottom Rod & End Pin Assembly
②	650F04	fin	Cover, Active Head ED4400 ED5400(A)	③⑧	650F63	fin	Rod Guide Cover
	650F01	fin		③⑨	650F62	fin	Rod Guide Packet Includes: #8-32 x 1/4" FHM-PH (4)
②③	650F34	fin	Screw Packet, Cover #8-32 x 5/16" FHUM-PH (4)	④①	650F97-8		Pillow Block Packet (ED4400 only) contains #10-24 x 1 1/4" FHPM-PH Screws (3) Pillow Block (1)
③①	650F54-8	622	Top Strike Packet contains: Strike Shims Locking Plate Mounting Screws			④①	
③②	650F64	fin	Cover, Top & Bottom Latch				
③③	650F55-8		Top Latch ED4400, ED5400 ED5400A				
	650F56-8						
③④	650F57-8		Mounting Packet contains: Top and Bottom Latch Plates & Screws Top Rod End Pin Cotter Pin Bottom Bolt Bottom Strike Top and Bottom Latch Mounting Screws #10-24 x 1/4" PHM-PH (6) #1/4-20 x 3/4" FHM-PH (4) Drill Jig for Rod Pin				

Vertical Rod Exit Device



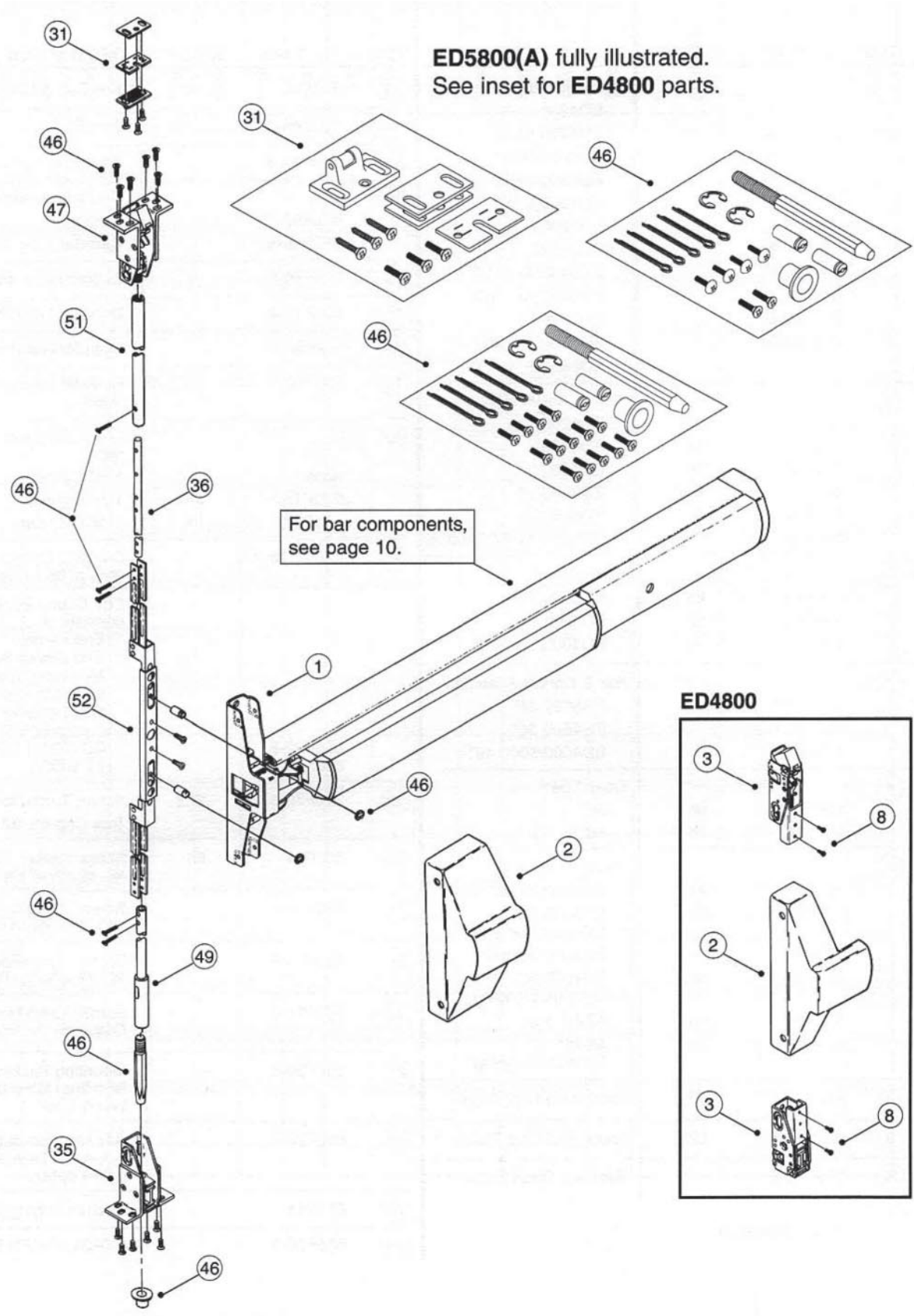
ITEM	PART NO.	SPECIFY	DESCRIPTION
①	650F42-8		Active Head
②	650F02	fin	Cover, Active Head
④②			Mortise Lock Body
	650F66-8 RR		ED5650K, ED5657K (knob RHR)
	650F66-8 LR		ED5650K, ED5657K (knob LHR)
	650F67-8 RR		ED5650L/T, ED5657L/T (lever/thumbpiece RHR)
	650F67-8 LR		ED5650L/T, ED5657L/T (lever/thumbpiece LHR)
	650F68-8 RR		ED5610K, ED5655K (knob RHR)
	650F68-8 LR		ED5610K, ED5655K (knob LHR)
	650F69-8 RR		ED5610L, ED5655L (lever RHR)
	650F69-8 LR		ED5610L, ED5655L (lever LHR)
	650F70-8 RR		ED5610T, ED5655T (thumbpiece RHR)
	650F70-8 LR		ED5610T, ED5655T (thumbpiece LHR)
④③	650F06	fin	Armored Front
④④	429F41	fin	Screw Packet for Armored Front
④⑤	650F65-8	622	Strike Packet



Vertical Rod Exit Device

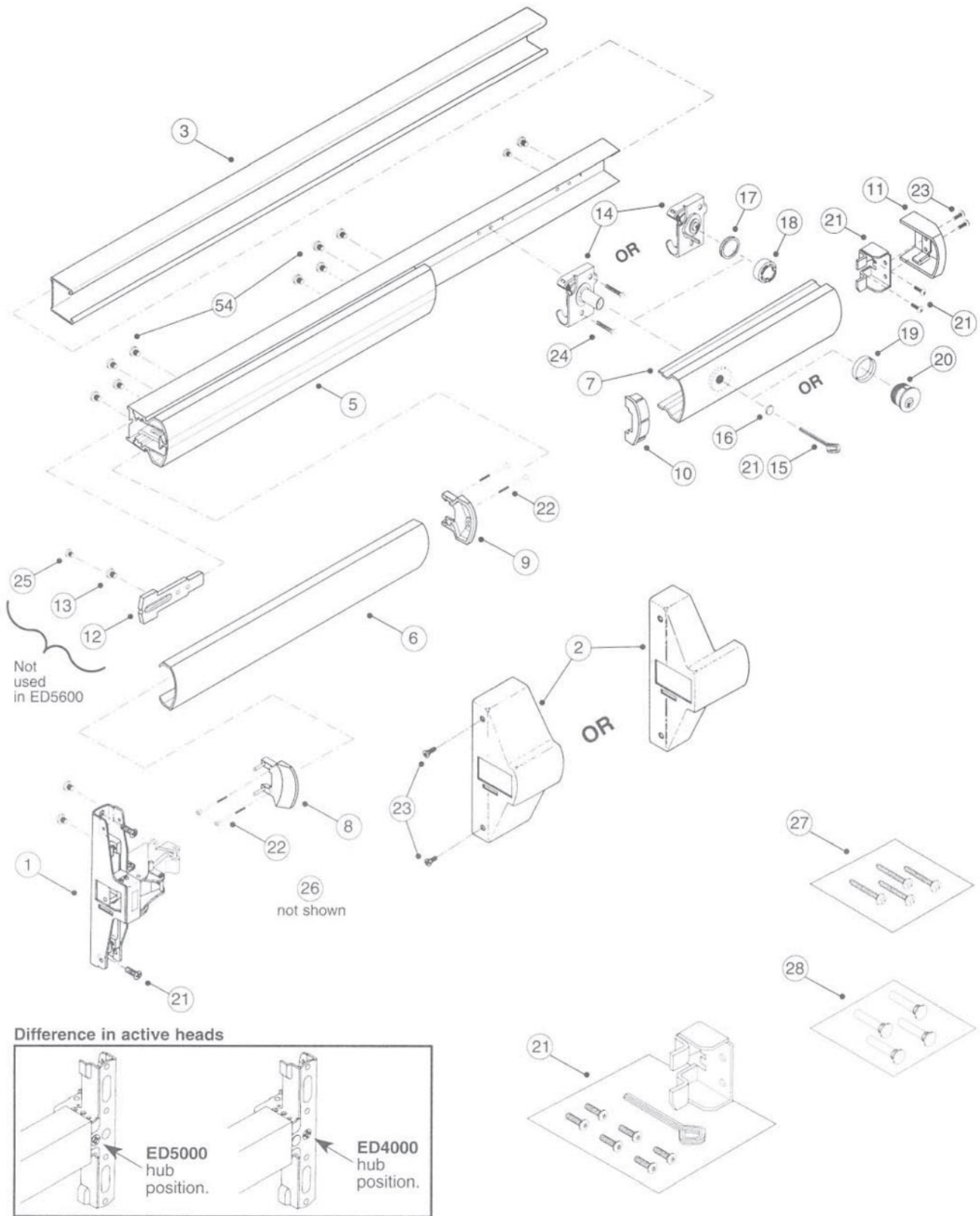
ITEM	PART NO.	SPECIFY	DESCRIPTION
①	650F45-8 650F46-8 650F43-8 650F44-8		Active Head ED4800 RHR (field reversible) ED4800 LHR (field reversible) ED5800(A) RHR (field reversible) ED5800(A) LHR (field reversible)
②	650F05 650F02	fin fin	Cover, Active Head ED4800 ED5800(A)
③1	650F54-8 650F55-8	622 622	Top Strike Packet contains: Strike Shims Locking Plate Mounting Screws
③5	650F74-8 650F75-8 650F76-8		Bottom Bolt Case ED5800 ED5800A ED4800
③6	650F80-8		Top Rod
④6	650F77-8 650F78-8		Bottom Bolt Packet contains: Bolt Strike Rod Yoke Pins (2) Cotter Pins (5) Retainer Rings (2) ED4800 #10-24 x 1/2" FHM-PH (2) #10-24 x 1/2" RHM-PH (4) ED5800(A) #10-24 x 1/2" FHM-PH (14)
④7	650F71-8 650F72-8 650F73-8		Top Latch & Bracket Assembly ED5800 ED5800A ED4800
④9	650F79-8		Bottom Rod & Coupler Assembly
⑤1	650F81-8		Top Rod Tube
⑤2	650F82-8		Rod & Yoke Assembly

Vertical Rod Exit Device

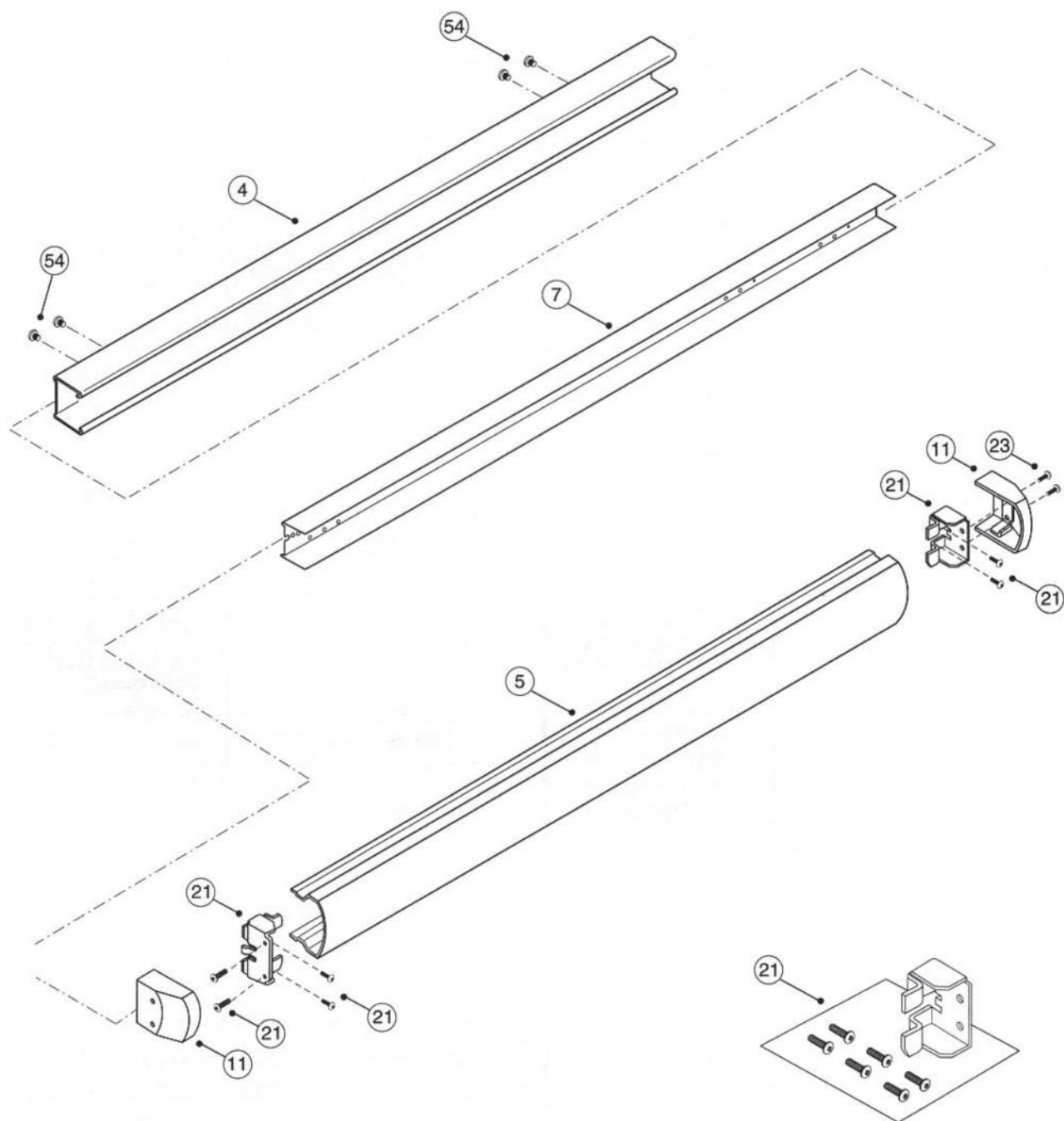


ITEM	PART NO.	SPECIFY	DESCRIPTION	ITEM	PART NO.	SPECIFY	DESCRIPTION
①	650F37-8		Active Head	①①	653F46	fin	End Cap & Liner Assembly
	650F40-8		ED4200	①②	650F48-9		Trim Slide
	650F41-8		ED4400 RHR*	①③	650F49-8		Trim Slide Retainer
	650F45-8		ED4400 LHR*	①④			Dogging Assembly
	650F46-8		ED4800 RHR*		650F52-8		Standard
	650F35-8		ED4800 LHR*		650F96-8		Cylinder Type (M52)
	650F36-8		ED5200	①⑤	656F40-8		Dogging Key (5/32" hex)
	650F38-8		ED5200A	①⑥	650F27-9		Dogging Hole Plug
	650F39-8		ED5400(A) RHR*	①⑦	650F94-2		Cylinder Nut (M52)
	650F42-8		ED5400(A) LHR*	①⑧	650F95-5		Cylinder Spacer Sleeve (M52)
	650F43-8		ED5600(A)	①⑨			Collar, Dogging Cylinder (M52)
	650F44-8		ED5800(A) RHR*		none		1 1/8" Cylinder
			ED5800(A) LHR*		270F15	fin	1 1/4" Cylinder
				654F07	fin	1 1/2" Cylinder	
②	650F03	fin	Cover, Active Head	②①	1000-118-A02		Dogging Cylinder (see p. 36 for options)
	650F04	fin	ED4200	②②			End Clamp Packet consists of: End Clamp End Clamp Screws (2) Mounting Screws (2) for Latch Head Hex Dogging Key (except ED5000A) ED4000, ED5000 ED5000A
	650F05	fin	ED4400				
	650F00	fin	ED4800				
	650F01	fin	ED5200(A)				
	650F02	fin	ED5400(A)				
			ED5600(A), ED5800(A)				
③	650F19	fin	Bottom Rail	②③	650F34	fin	Screw Packet, Cover #8-32 x 5/16" FHUM-PH (4)
	650F20	fin	ED5000 36"	②④	650F53-8		Screw, Dogging Assy., #10-24 x 5/8" PHT-T-PN (2)
	650F21	fin	ED4000 36"	②⑤	650F50-8		Screw, Trim Slide, #8-32 x 1/2" FHT-PH
		ED4000/5000 48"	②⑥	650F51-8		Screw, Latch Head to Carrier, #8-32 x 1/4" PHT-C-PH	
⑤	650F22-8		Bar & Carrier Assembly	②⑦	654F20-8		Mounting Packet for Non-fire Rated Devices, Wood Door
	650F23-8		ED5000 36"	②⑧	652F29-8		Sex Nut Packet (4) Fire-rated Devices incl. (M54) option
	650F24-8		ED4000 36"	⑤③	656F41		Touch Pad Spring (not shown)
			ED4000/5000 48"	⑤④	656F66-8		#10-24 x 1/4" PH Screw (8)
⑥	650F07	fin	Cover, Bar				
	650F08	fin	36" 48"				
⑦	650F11	fin	Cover, End				
	650F12	fin	ED5000(A) 36" std.				
	650F13	fin	ED5000 36" Cylinder Dogging				
	650F14	fin	ED4000 36" std.				
	650F15	fin	ED4000 36" Cylinder Dogging				
	650F16	fin	All 48" std.				
			All 48" Cylinder Dogging				
⑧	650F10-5	622	Touch Pad Cap, Front				
⑨	650F09-5	622	Touch Pad Cap, Rear				
⑩	650F18-9		Bar Cap, Black Nylon				

* Field reversible



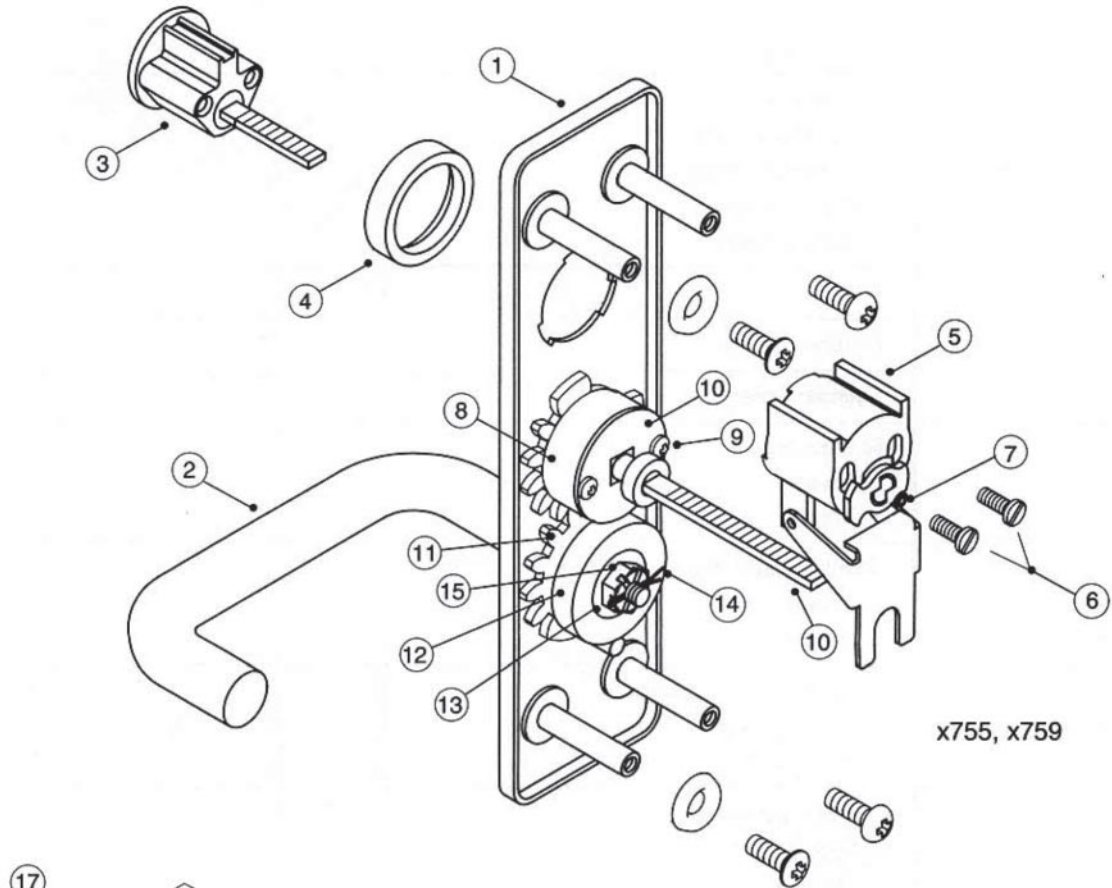
ITEM	PART NO.	SPECIFY	DESCRIPTION
③	650F21	fin	Bottom Rail, 48"
④	650F99-8		Carrier Bar
⑦	650F93	fin	Cover, End
⑪	653F46		End Cap & Liner Assembly (2)
⑳	650F33-8		End Clamp Packet consists of: End Clamp End Clamp Screws (2) Mounting Screws for Latch Head (2)
㉓	650F34	fin	Screw Packet, Cover



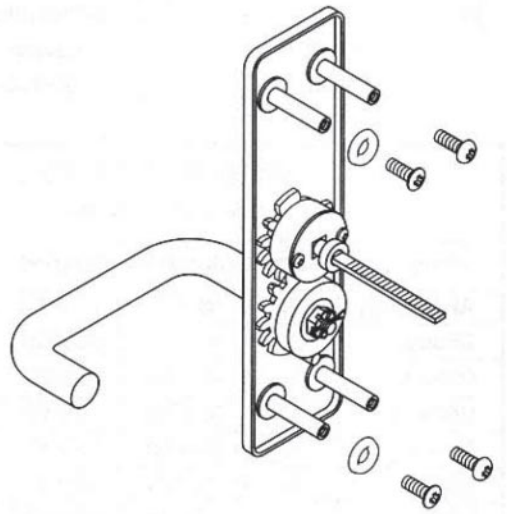
ITEM	PART NO.	SPECIFY	DESCRIPTION
①	651F13	fin	Escutcheon x710, x750 x755, x759
	651F14	fin	
②	see chart		Grip
③	see page 36		Rim Cylinder
④	270F15	fin	Cylinder Collar 1 1/8" Cylinder 1 1/4" Cylinder 1 1/2" Cylinder
	654F07	fin	
	654F08	fin	
⑤	651F67-5		Housing & Cam Assy. 55/59 Function only
⑥	655F02-8		Screw, Cylinder Mounting (2)
⑦	656F65-8		Screw, 55/59 Function
⑧	651F63-8		Gear and Black Housing Assembly (all but x750)
⑨	651F50-8		Screw, Tailpiece Plate, #6 x 3/8" PHT-T-PH (2)
⑩	651F71-8		Tailpiece Assembly 1 3/4" Door Without Shim Kit 2" - 2 1/4" Door or Std. Door with Shim Kit
	655F70-8		
⑪	651F64-8		Gear Levers G Knob Dummy Lever Dummy Knob
	651F77-8		
	655F54-8		
	655F55-8		
⑫	651F65-5		Hub Levers G Knob
	656F64		
⑬	651F72-8		Hub Bushing, Levers
⑭	651F66-8		Cotter Pin
⑮	651F73-8		Nut, Spindle

ITEM	PART NO.	SPECIFY	DESCRIPTION
⑯	118F29-9		Thimble Insert, Nylon (not shown) Levers G Knob
	651F38-9		
⑰	652F12-8		Screw Packet, Mounting 1 3/4" - 2" Door 2 1/4" Door
	652F13-8		
⑱	651F62-8		Spring, Grip Return (not shown) Levers, RHR (blue) Levers, LHR (red) Knob
	651F61-8		
	651F75-8		
⑲	651F40-8		Spring (not shown) Under Tailpiece
⑳	651F39-8		Hex Nut / Bushing for Spring (not shown)
㉑	651F70-8		Washer Under Tailpiece (not shown)
㉒	651F79-8		Nut, Spindle Gear (not shown) 3/8 - 16 for x750 Levers 1/4 - 20 for G Knob
	651F78-8		
④⑨	652F19	fin	Thimble (not shown) Levers G Knob
	651F28	fin	

Grip (Specify Finish)				
Part numbers are for pinned assemblies with spindle.				
Name	Letter	Standard	Knurled	Abrasive
Armstrong	A	652F78	652F79	652F80
Citation	C	652F66	652F67	652F68
Dirke RHR	D	652F69	652F70	652F71
Dirke LHR	D	652F72	652F73	652F74
Essex	E	652F57	652F58	652F59
Global	G	656F45	656F48	656F51
Lustra	L	652F60	652F61	652F62
Newport	N	652F75	652F76	652F77
Princeton	PR	652F81	652F82	652F83
Regis	R	652F63	652F64	652F65



x755, x759



x710 shown
x750 dummy

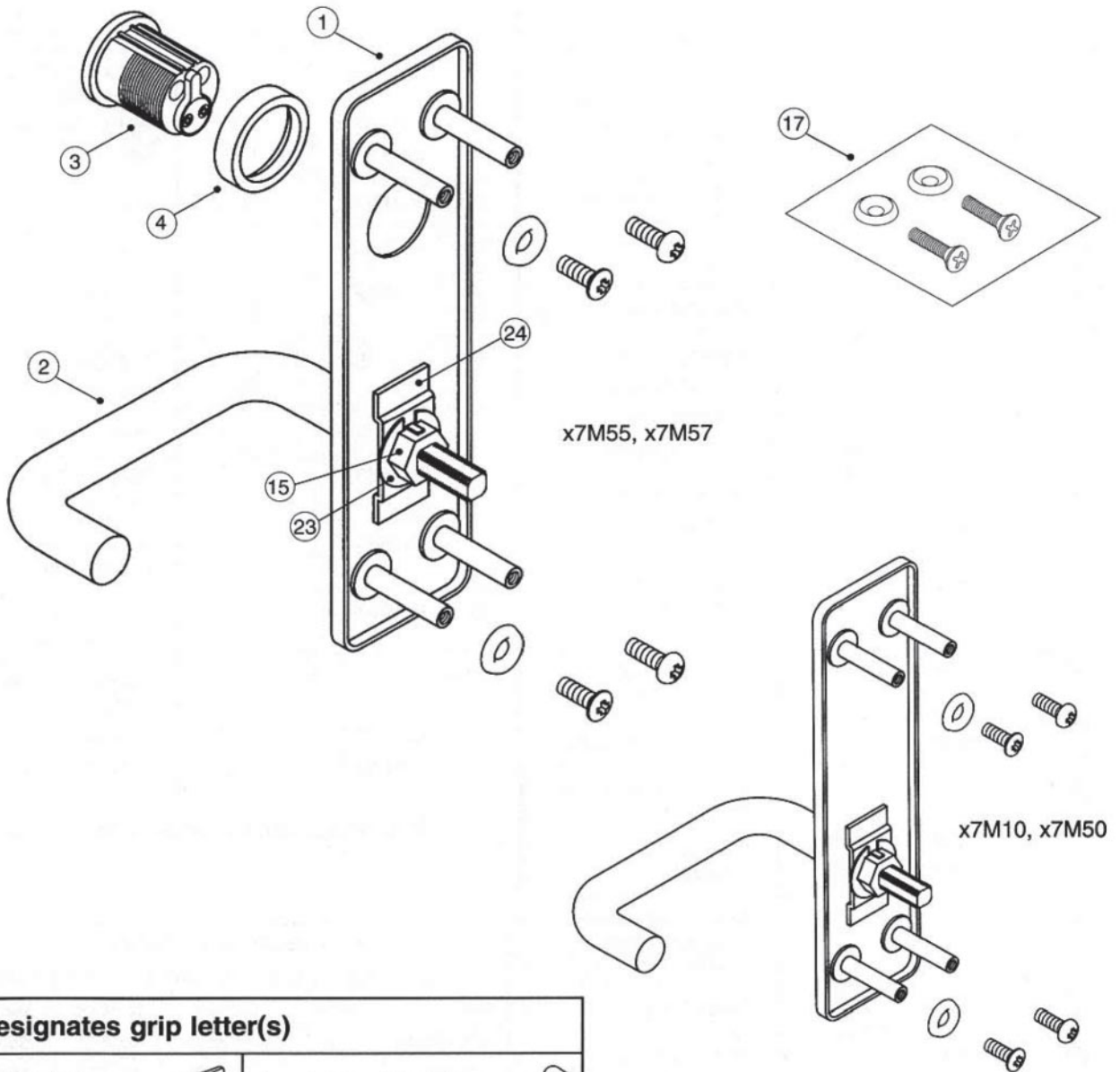
x designates grip letter(s)			
A = Armstrong		L = Lustra (shown)	
C = Citation		N = Newport	
D = Dirke		O = Thumbturn operator	
E = Essex		PR = Princeton	
G = Global		R = Regis	








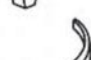

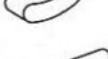
ITEM	PART NO.	SPECIFY	DESCRIPTION
①	656F57	fin	Escutcheon Cylinder x Lever
	656F56	fin	Cylinder x Knob
	656F55	fin	Blank x Lever
	656F54	fin	Blank x Knob
②	see chart		Grip
③	see page 36		Mortise Cylinder
④	see chart		Cylinder Collar
⑮	652F09-8		Nut, Spindle Lever
	652F08-8		Knob
⑯	118F29-8		Thimble Insert, Nylon (not shown) Levers
	651F38-9		G Knob
⑰	652F12-8		Screw Packet, Mounting 1 ³ / ₄ " - 2" Door
	652F13-8		2 ¹ / ₄ " Door
⑳	652F05-8		Spindle Washer Levers
	652F06-8		G Knob
㉔	652F04-8		Spindle Bracket Levers
	652F07-8		G Knob

Door Thickness		Cylinder Length
1 ³ / ₄ " to 2"	2 ¹ / ₄ "	
447F42	447F41	1 ¹ / ₈ " mortise
610F02	447F42	1 ¹ / ₄ " mortise
609F36	610F02	1 ¹ / ₂ " mortise

Name	Letter	Standard	Knurled	Abrasive
Armstrong	A	653F71	653F72	653F73
Citation	C	653F59	653F60	653F61
Dirke RHR	D	653F62	653F63	653F64
Dirke LHR	D	653F65	653F66	653F67
Essex	E	653F50	653F51	653F52
Global	G	656F44	656F47	656F50
Lustra	L	653F53	653F54	653F55
Newport	N	653F68	653F69	653F70
Princeton	PR	653F74	653F75	653F76
Regis	R	653F56	653F57	653F58

Note: Numbers are pinned assemblies with spindle.



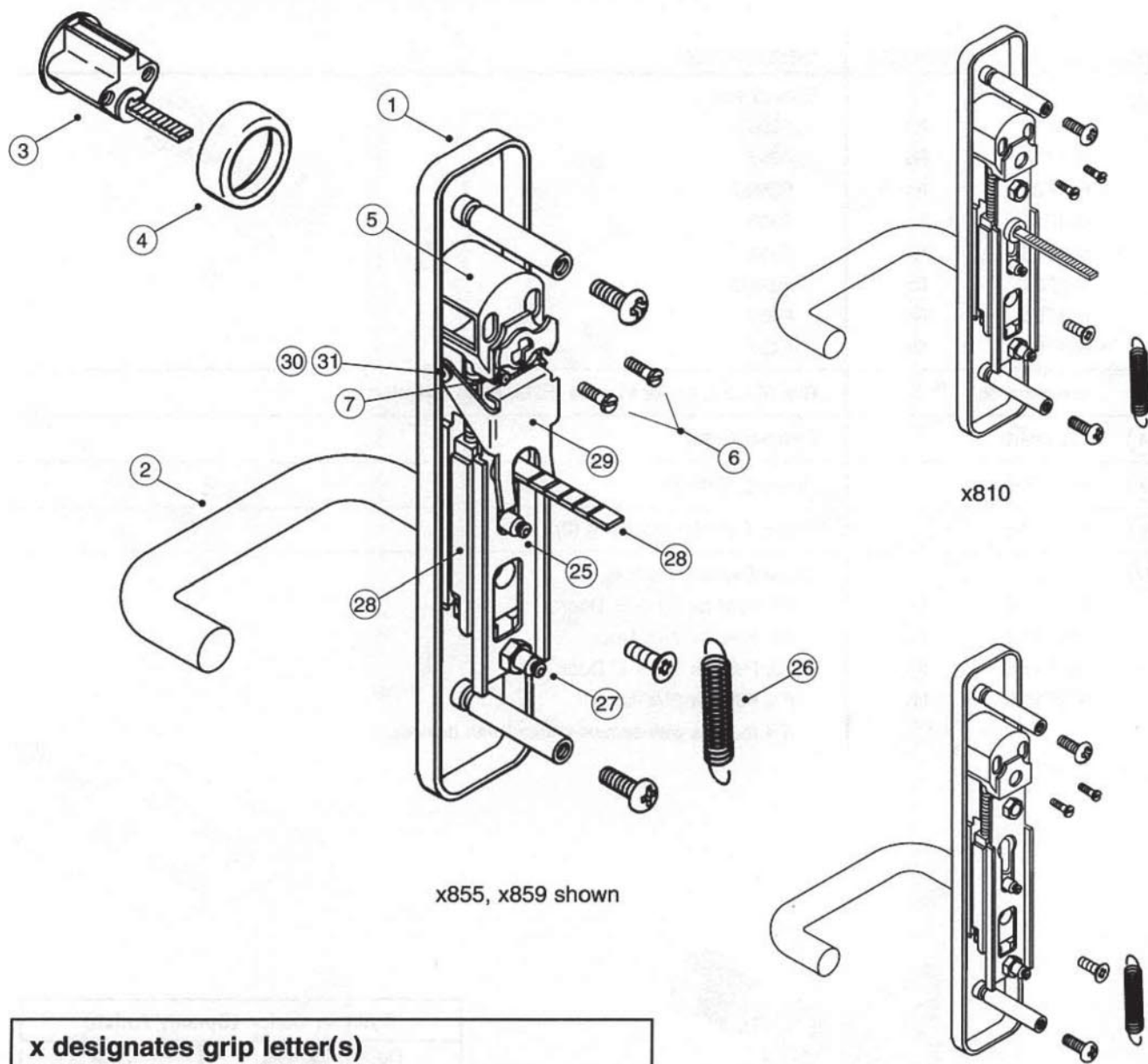
x designates grip letter(s)	
A = Armstrong 	L = Lustra (shown) 
C = Citation 	N = Newport 
D = Dirke 	O = Thumbturn operator 
E = Essex 	PR = Princeton 
G = Global 	R = Regis 

ITEM	PART NO.	SPECIFY	DESCRIPTION
①	656F59	fin	Escutcheon Cylinder x Lever
	656F58	fin	Cylinder x Knob
	656F61	fin	Plain x Lever
	656F60	fin	Plain x Knob or Thumbturn
②	see chart		Grip
③	see page 36		Rim Cylinder
④	270F15	fin	Cylinder Collar 1 1/8" Cylinder
	654F07	fin	1 1/4" Cylinder
	654F08	fin	1 1/2" Cylinder
⑤	651F96-5		Housing & Cam Assy. Keyed Functions x855, x859
	655F66-5		Non-Keyed Functions x810, x850
⑥	655F02-8		Screw, Cylinder Mounting (2)
⑦	656F65-8		Screw, 55/59 Function
⑬	651F38-9		Thimble Insert, Nylon (not shown) G8, O8
	118F29-9		Lever
⑲	651F40-8		Spring (not shown) Under Tailpiece x810, x855, x859
⑳	651F85-8		Cover Plate
㉔	651F94-8		Spring, Extension Levers only
㉕	651F92-8		Nut, Spring Post Levers only

ITEM	PART NO.	SPECIFY	DESCRIPTION
㉘	651F82-8		Rack & Tailpiece Assembly x810, x855, x859
	652F21-8		x850
㉙	651F53-8		Clutch Lever
㉚	651F83-8		Pin, Clutch Lever
㉛	651F89-8		Retainer, Clutch Lever Pin
㉜	651F88-8		Nut, Cover Plate (not shown)
㉝	652F22-8		Hub (not shown)
㉞	652F23-9		Bushing, Nylon (not shown)
㉟	651F84-8		Washer, Grip (not shown)
㊱	651F87-8		Screw, Spindle #8-32 x 7/16" FHM-PH
㊲	651F93-8		Spring, Rack, (2) (not shown) Lever
	651F86-8		Knob, Thumbturn

Note: All mounting screws packed with device.











Grips (Specify Finish)				
Part numbers are pinned assemblies with spindle.				
Name	Letter	Standard	Knurled	Abrasive
Armstrong	A	653F05	653F06	653F07
Citation	C	652F93	652F94	652F95
Dirke RHR	D	652F96	652F97	652F98
Dirke LHR	D	652F99	653F00	653F01
Essex	E	652F84	652F85	652F86
Global	G	656F46	656F49	656F52
Lustra	L	652F87	652F88	652F89
Newport	N	653F02	653F03	653F04
Princeton	PR	653F08	653F09	653F10
Regis	R	652F90	652F91	652F92
Thumbturn	O	656F53	N/A	N/A



x855, x859 shown

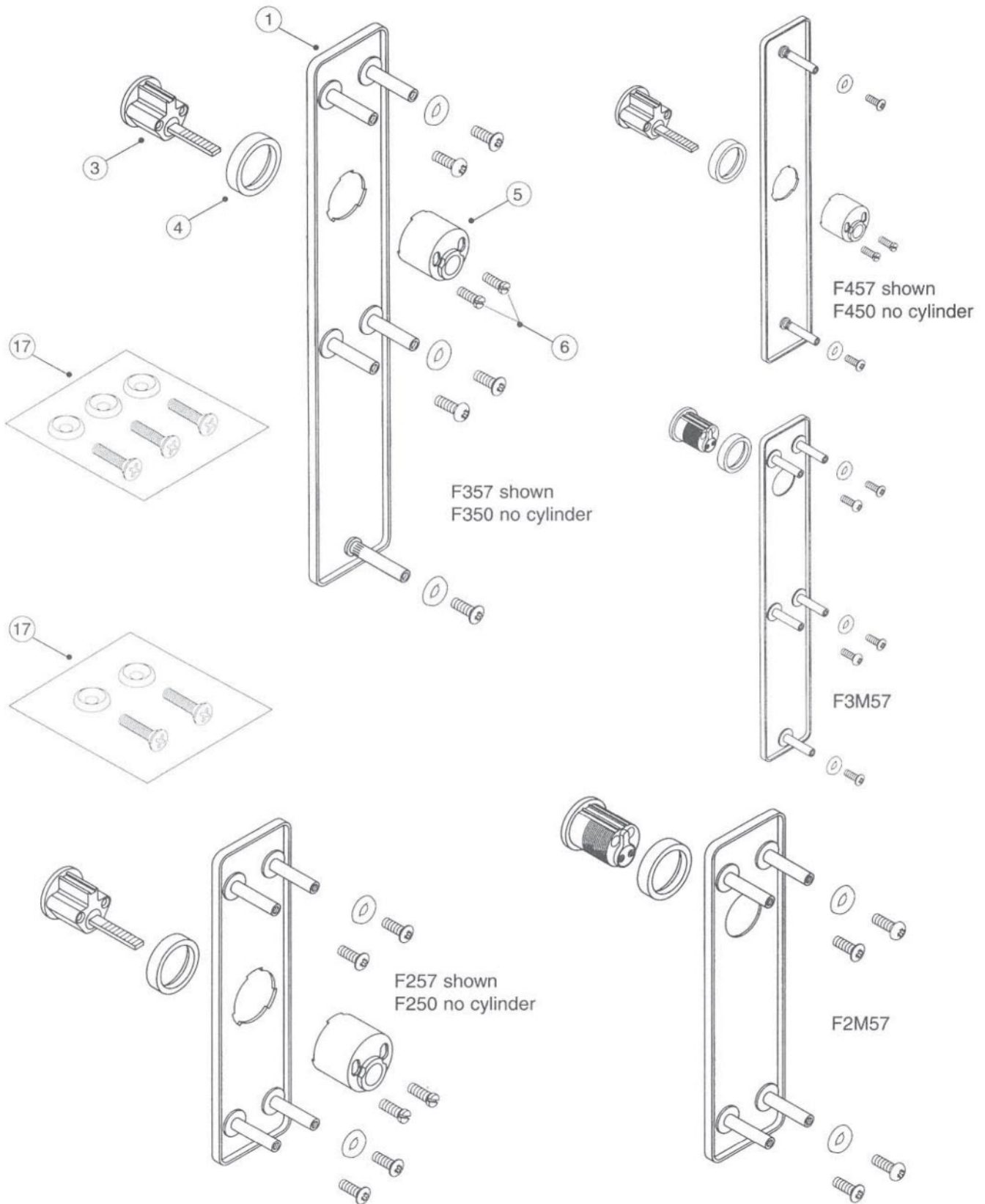
x810

x850 no cylinder

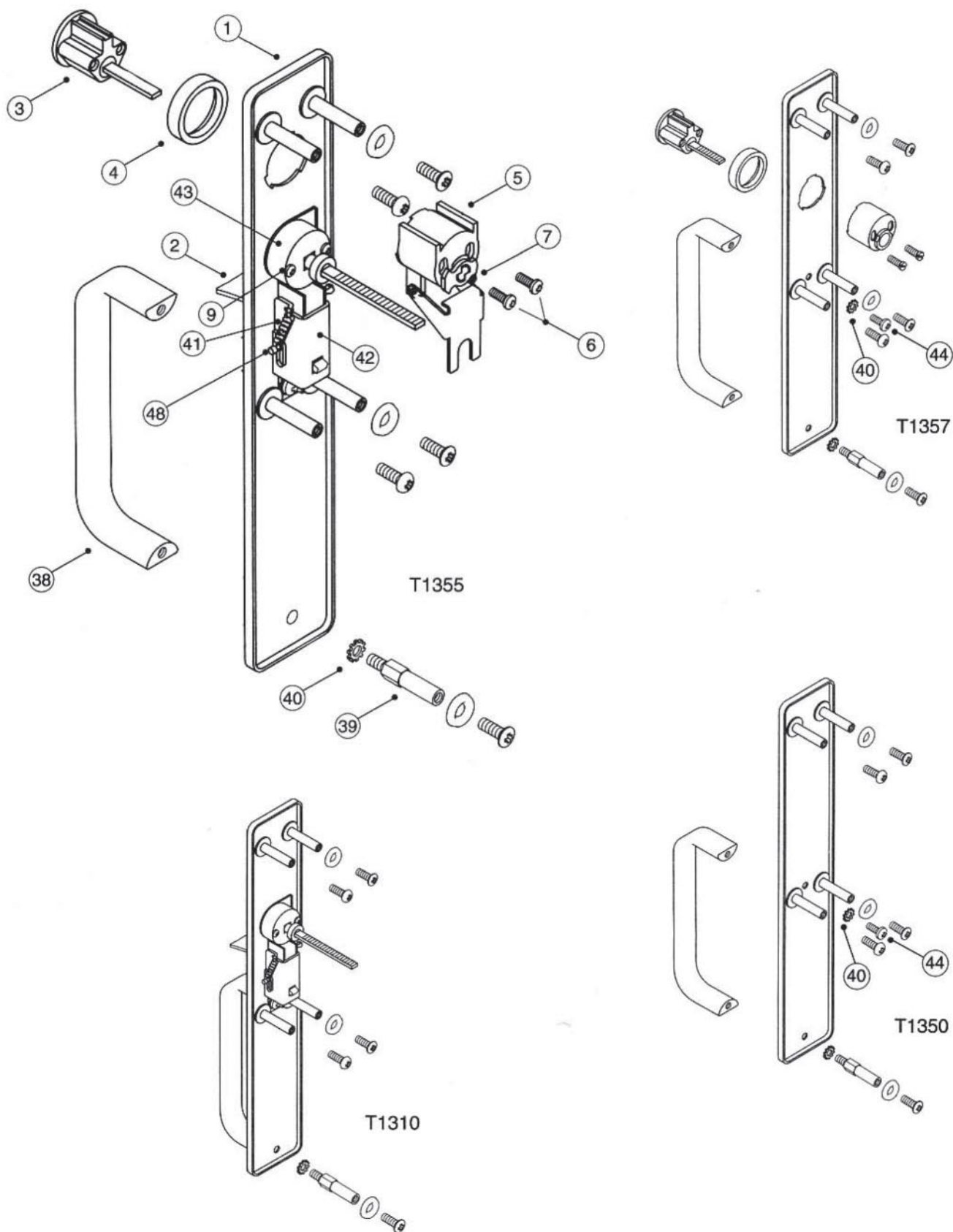
x designates grip letter(s)	
A = Armstrong 	L = Lustra (shown) 
C = Citation 	N = Newport 
D = Dirke 	O = Thumbturn operator 
E = Essex 	PR = Princeton 
G = Global 	R = Regis 

ITEM	PART NO.	SPECIFY	DESCRIPTION
①			Escutcheon
	651F11	fin	F250
	651F12	fin	F257
	651F21	fin	F2M57
	651F15	fin	F350
	651F16	fin	F357
	651F24	fin	F3M57
	651F00	fin	F450
	651F01	fin	F457
③	see page 36		Rim (F2, F3, F4) or Mortise (F2M, F3M) Cylinder
④	see chart		Cylinder Collar
⑤	651F42-5		Housing, Cylinder
⑥	655F02-8		Screw, Cylinder Mounting (2)
⑰			Screw Packet, Mounting
	652F12-8	fin	F2, F2M for 1 ³ / ₄ " - 2" Door
	652F13-8	fin	F2, F2M for 2 ¹ / ₄ " Door
	652F14-8	fin	F3, F3M for 1 ³ / ₄ " - 2" Door
	652F15-8	fin	F3, F3M for 2 ¹ / ₄ " Door (F4 mounts with screws packed with device).

Door Thickness		Cylinder Length
1 ³ / ₄ " to 2"	2 ¹ / ₄ "	
447F42	447F41	1 ¹ / ₈ " mortise
610F02	447F42	1 ¹ / ₄ " mortise
609F36	610F02	1 ¹ / ₂ " mortise
	270F15	1 ¹ / ₈ " rim
	654F07	1 ¹ / ₄ " rim
	654F08	1 ¹ / ₂ " rim

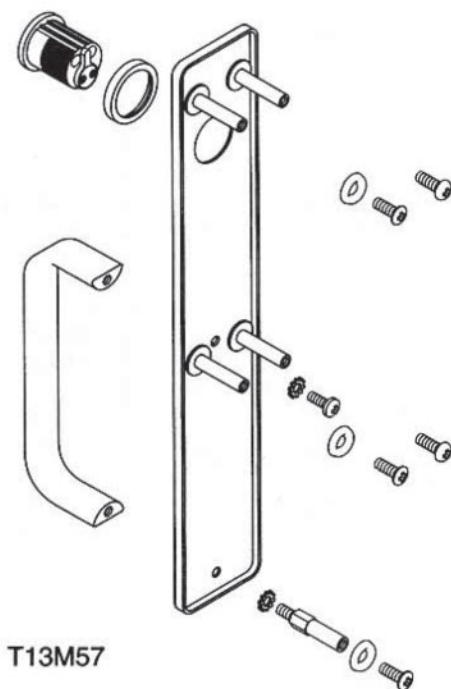
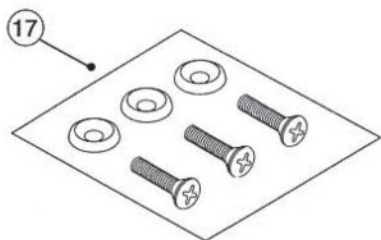
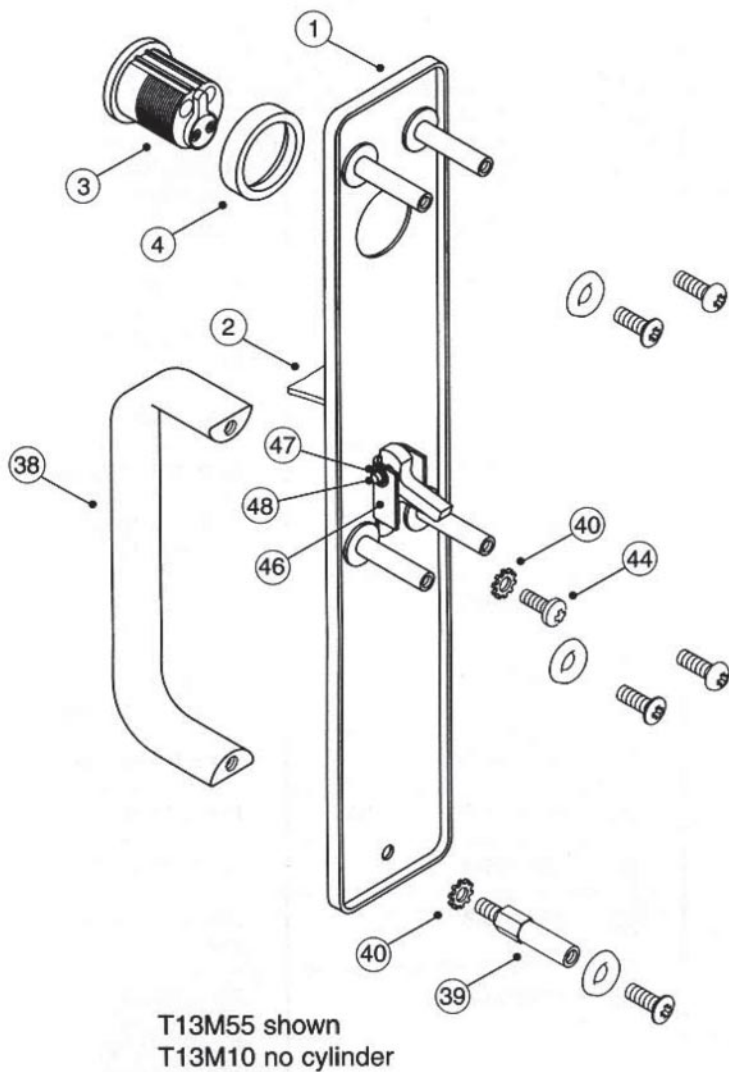


ITEM	PART NO.	SPECIFY	DESCRIPTION
①	651F19	fin	Escutcheon T1310
	651F17	fin	T1350
	651F20	fin	T1355
	651F18	fin	T1357
②	651F35	fin	Thumbpiece
③	see page 36		Rim Cylinder
④	270F15	fin	Cylinder Collar 1 ¹ / ₈ " Cylinder
	654F07	fin	1 ¹ / ₄ " Cylinder
	654F08	fin	1 ¹ / ₂ " Cylinder
⑤	651F67-5		Housing, Cylinder T1355
	651F42-5		T1357
⑥	655F02-8		Screw, Cylinder Mounting (2)
⑦	656F65-8		Screw, 55/59 Function
⑨	651F50-8		Screw, Tailpiece Plate, #6 x ³ / ₈ " PHT-T-PH (2)
⑩	651F55-8		Tailpiece Assembly 1 ³ / ₄ " Door without Shim Kit
	655F69-8		2" - 2 ¹ / ₄ " Door or 1 ³ / ₄ " Door with Shim Kit
⑰	652F14-8		Screw Packet, Mounting 1 ³ / ₄ " - 2" Doors
	652F15-8		2 ¹ / ₄ " Doors
⑲	651F40-8		Spring (not shown) Under Tailpiece
⑳	651F39-8		Hex Nut / Bushing for Spring (not shown) T1310, T1355
③⑧	651F36-2	fin	Pull, Straight
③⑨	651F43-8		Screw Post
④①	651F44-8		Lock Washer, Screw Post
④②	651F47-8		Spring, Thumbpiece
④③	651F49-8		Slider, Thumbpiece
④④	651F54-5		Housing, Tailpiece Assembly
④⑤	651F41-8		Screw, #1/4 -20 x ⁵ / ₈ " RHM-PH
④⑧	651F48-8		Pin, Thumbpiece

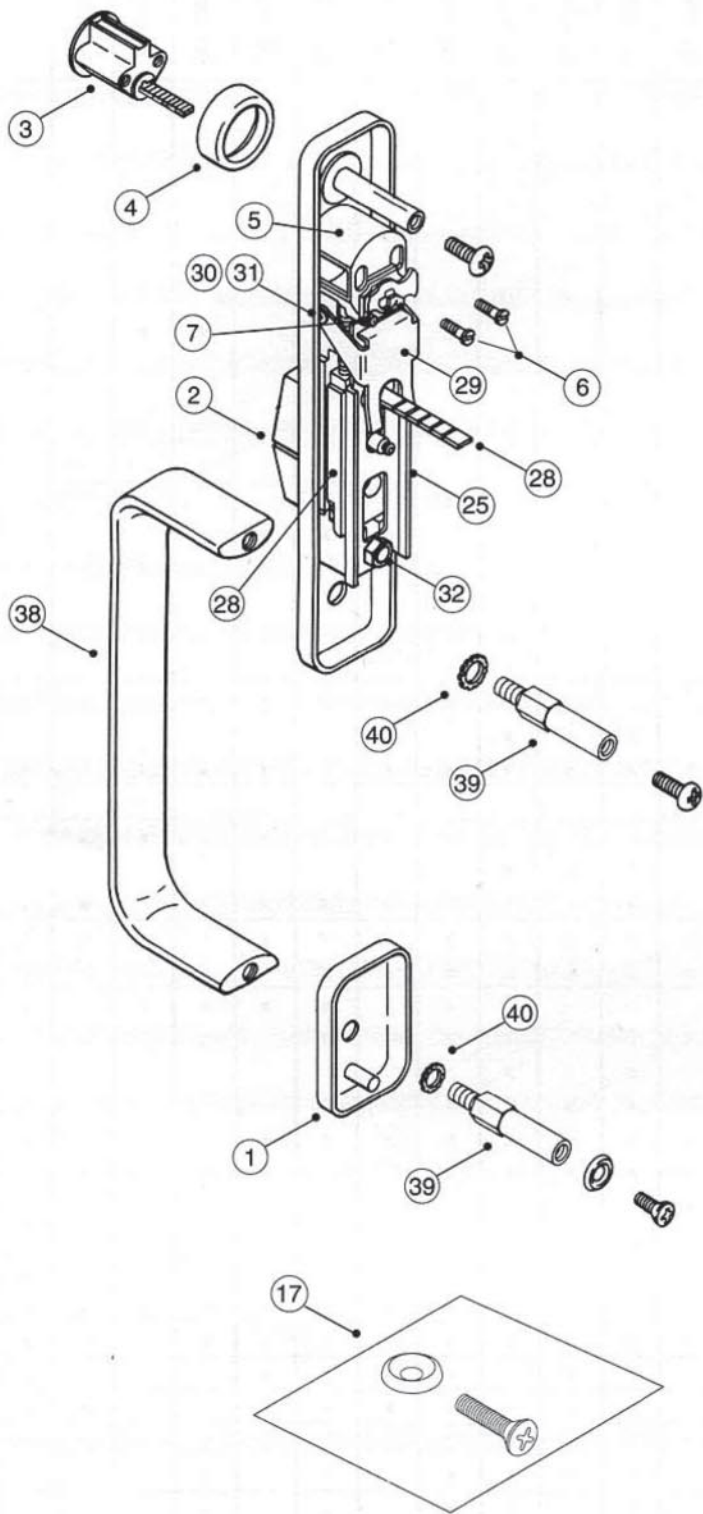


ITEM	PART NO.	SPECIFY	DESCRIPTION
①	651F27	fin	Escutcheon T13M10
	651F26	fin	T13M55
	651F25	fin	T13M57
②	651F34	fin	Thumbpiece
③	See page 36		Mortise Cylinder
④	see chart		Cylinder Collar
①7	652F14-8		Screw Packet, Mounting 1 ³ / ₄ " - 2" Door
	652F15-8		2 ¹ / ₄ " Door
③8	651F36-2	fin	Pull, Straight
③9	651F43-8		Screw Post
④0	651F44-8		Lock Washer, Screw Post (2)
④1	651F59-8		Spring, Thumbpiece
④4	651F41-8		Screw, #1/4-20 x 5/8" RHM-PH
④5	651F56-8		Thumbpiece Tab (not shown)
④6	651F57-8		Thumbpiece Bracket
④7	651F60-8		Retaining Ring (2)
④8	651F58-7		Pin, Thumbpiece

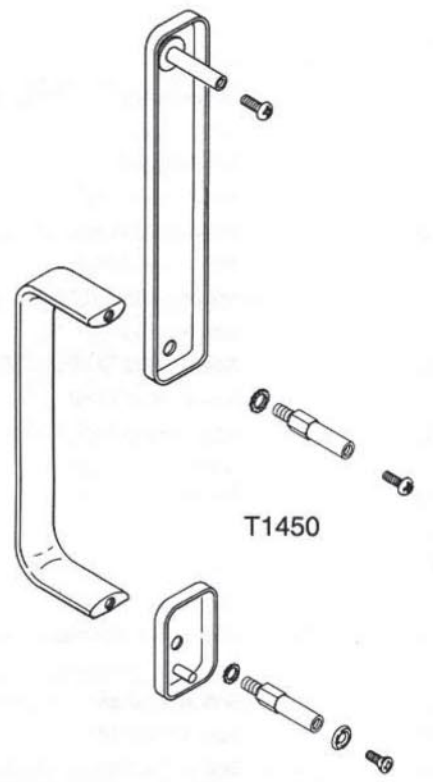
Cylinder Collar (Specify Finish)		
Door Thickness		Cylinder Length
1 ³ / ₄ " to 2"	2 ¹ / ₄ "	
447F42	447F41	1 ¹ / ₈ " mortise
610F02	447F42	1 ¹ / ₄ " mortise
609F36	610F02	1 ¹ / ₂ " mortise



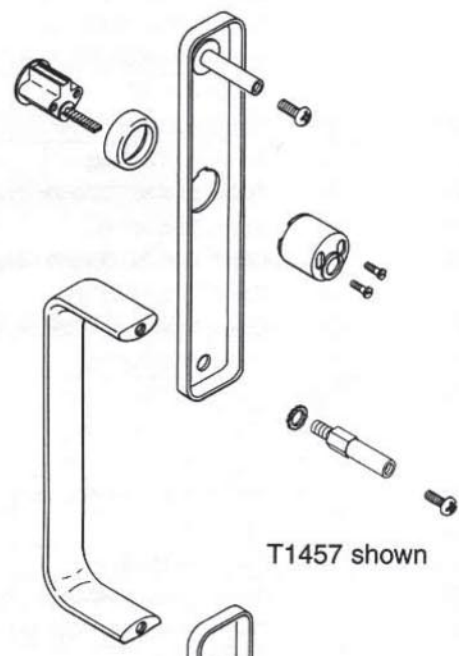
ITEM	PART NO.	SPECIFY	DESCRIPTION	ITEM	PART NO.	SPECIFY	DESCRIPTION
①	656F62	fin	Escutcheon O1410 Top	②5	651F85-8		Cover Plate
	656F63	fin	O1455, O1459 Top	②8	651F82-8		Rack & Tailpiece Assembly
	651F09	fin	T1410 Top	②9	651F53-8		Clutch Lever
	651F06	fin	T1450 Top	③0	651F83-8		Pin, Clutch Lever
	651F08	fin	T1455, T1459 Top	③1	651F89-8		Retainer, Clutch Lever Pin (2)
	651F04	fin	T1457 Top	③2	651F88-8		Nut, Cover Plate (2)
	651F10	fin	Bottom	③3	652F22-8		Hub (not shown)
				③4	652F23-9		Bushing, Nylon (not shown)
②	651F35	fin	Operator Thumbpiece (T14)	③5	651F84-8		Washer, Grip (not shown)
	656F53	fin	Thumbturn / Spindle Assy. (O14)	③6	651F87-8		Screw, Spindle #8-32 x 7/16", O14
③	see page 36		Rim Cylinder	③7	651F86-8		Rack Spring (2)
④	270F15	fin	Cylinder Collar 1 1/8" Cylinder	③8	651F37-2	fin	Pull, Offset
	654F07	fin	1 1/4" Cylinder	③9	651F43-8		Screw Post (2)
	654F08	fin	1 1/2" Cylinder	④0	651F44-8		Lock Washer, Screw Post (2)
				⑤0	651F98-8		Pin, Groove, (not shown) 5/32" x 1 1/8" for T1410, T1455, T1459
⑤	651F97-5		Housing 10 Function				
	651F42-5		57 Function				
	651F96-5		55/59 Function				
⑥	655F02-8		Screw, Cylinder Mounting (2)				
⑦	656F65-8		Screw, 55/59 Function				
⑬	651F38-9		Thimble Insert, Nylon (not shown) O14 only				
⑰			Screw Packet, Mounting				
	652F10-8	fin	1 3/4"- 2" Door				
	652F11-8	fin	2 1/4" Door				
⑲	651F40-8		Spring (not shown) Under Tailpiece for 10, 55, 57 Functions				



O1455/59 shown
 O1410 no cylinder
 T1410, T1455/59 have thumbpiece



T1450



T1457 shown

Part Number	Specify	Description	ED 5000DB	ED 4200	ED 4400	ED 4800	ED 5200	ED 5200A	ED 5400	ED 5400A	ED 5600	ED 5600A	ED 5800	ED 5800A
① 650F35-8		Active Head					X							
650F36-8		Active Head						X						
650F37-8		Active Head		X										
650F38-8		Active Head RHR*							X	X				
650F39-8		Active Head LHR*							X	X				
650F40-8		Active Head RHR*			X									
650F41-8		Active Head LHR*			X									
650F42-8		Active Head									X	X		
650F43-8		Active Head RHR*											X	X
650F44-8		Active Head LHR*											X	X
650F45-8		Active Head RHR*				X								
650F46-8		Active Head LHR*				X								
② 650F00	fin	Cover, Active Head					X	X						
650F01	fin	Cover, Active Head							X	X				
650F02	fin	Cover, Active Head									X	X	X	X
650F03	fin	Cover, Active Head		X										
650F04	fin	Cover, Active Head			X									
650F05	fin	Cover, Active Head				X								
③ 650F19	fin	Bottom Rail 36"					X	X	X	X	X	X	X	X
650F20	fin	Bottom Rail 36"		X	X	X								
650F21	fin	Bottom Rail 48"	X	X	X	X	X	X	X	X	X	X	X	X
④ 650F99-8	fin	Carrier Bar	X											
⑤ 650F22-8		Bar & Carrier Assembly 36"					X	X	X	X	X	X	X	X
650F23-8		Bar & Carrier Assembly 36"		X	X	X								
650F24-8		Bar & Carrier Assembly 48"		X	X	X	X	X	X	X	X	X	X	X
⑥ 650F07	fin	Cover, Bar 36"	X	X	X	X	X	X	X	X	X	X	X	X
650F08	fin	Cover, Bar 48"	X	X	X	X	X	X	X	X	X	X	X	X
⑦ 650F11	fin	Cover, End 36" std.					X	X	X	X	X	X	X	X
650F12	fin	Cover, End 36" Cylinder Dogging		X			X		X		X		X	
650F13	fin	Cover, End 36" std.		X	X	X								
650F14	fin	Cover, End 36" Cylinder Dogging		X	X	X	X							
650F15	fin	Cover, End All 48" std.	X	X	X	X	X	X	X	X	X	X	X	X
650F16	fin	Cover, End All 48" Cylinder Dogging		X	X	X	X		X		X		X	
650F93	fin	Cover, End Dummy	X											
⑧ 650F10-5	622	Touch Pad Cap, Front		X										
⑨ 650F09-5	622	Touch Pad Cap, Rear		X	X	X	X	X	X	X	X	X	X	X
⑩ 650F18-9		Bar Cap, Black Nylon		X	X	X	X	X	X	X	X	X	X	X
⑪ 653F46	fin	End Cap & Liner Assembly	X	X	X	X	X	X	X	X	X	X	X	X
⑫ 650F48-9		Trim Slide		X	X	X	X	X	X				X	X
⑬ 650F49-8		Trim Slide Retainer		X	X	X	X	X	X				X	X
⑭ 650F52-8		Dogging Assembly Std.		X	X	X	X		X		X		X	
650F96-8		Dogging Assembly Cyl. Typ. (M52)		X	X	X	X		X		X		X	
⑮ 656F40-8		Dogging Key		X	X	X	X		X		X		X	
⑯ 650F27-9		Dogging Hole Plug (M51)		X	X	X	X	X	X	X	X	X	X	X
⑰ 650F94-2		Cylinder Nut (M52)		X	X	X	X		X		X		X	
⑱ 650F95-5		Cylinder Spacer Sleeve (M52)		X	X	X	X		X		X		X	

* Field Reversible

Part Number	Specify	Description	ED 5000DB	ED 4200	ED 4400	ED 4800	ED 5200	ED 5200A	ED 5400	ED 5400A	ED 5600	ED 5600A	ED 5800	ED 5800A
21		650F32-8 End Clamp Packet		x	x	x	x		x		x		x	
		650F33-8 End Clamp Packet	x					x		x		x		x
22	622	650F28-8 Screw, Touch Bar Caps		x	x	x	x	x	x	x	x	x	x	x
23	fin	650F34 Screw Packet, Cover	x	x	x	x	x	x	x	x	x	x	x	x
24		650F53-8 Screw, Dogging Assembly		x	x	x	x		x		x		x	
25		220F70-8 Screw, Trim Slide		x	x	x	x	x	x	x			x	x
26		650F51-8 Screw, Latch Head to Carrier		x	x	x	x	x	x	x	x	x	x	x
27		654F20-8 Mounting Packet		x	x	x	x		x		x		x	
28		652F29 Sex Nut Packet		x	x	x	x	x	x	x	x	x	x	x
30		650F29-8 Strike Packet					x							
		650F30-8 Strike Packet						x						
		650F31-8 Strike Packet		x										
31	622	650F54-8 Top Strike Packet			x	x			x	x			x	x
32		650F64 Cover, Top & Bottom Latch			x				x	x				
33		650F55-8 Top Latch			x				x					
		650F56-8 Top Latch								x				
34		650F57-8 Mounting Pack			x				x	x				
35		650F58-8 Bottom Bolt Case			x				x					
		650F59-8 Bottom Bolt Case								x				
		650F74-8 Bottom Bolt Case											x	
		650F75-8 Bottom Bolt Case												x
		650F76-8 Bottom Bolt Case				x								
36	fin	650F60 Top Rod			x				x	x				
	fin	650F80 Top Rod				x							x	x
37	fin	649F99 Bottom Rod & Pin Assembly			x				x	x				
38	fin	650F63 Rod Guide Cover			x				x	x				
39	fin	650F62 Rod Guide Packet			x				x	x				
40		650F97-8 Pillow Block Packet			x									
41		654F21-8 Latch Packet			x				x	x				
42		650F66 thru 70 Mortise Lock Body									x	x		
43	fin	650F06 Armored Front									x	x		
44	fin	429F41 Screw Packet for Armored Front									x	x		
45	622	650F65-8 Strike Packet									x	x		
46		650F77-8 Bottom Bolt Pack				x								
		650F78-8 Bottom Bolt Pack											x	x
47		650F71-8 Top Latch & Bracket Assembly											x	
		650F72-8 Top Latch & Bracket Assembly												x
		650F73-8 Top Latch & Bracket Assembly				x								
49		650F79-8 Bottom Rod & Coupler Assembly				x							x	x
51		650F81-8 Top Rod Tube				x							x	x
52		650F82-8 Rod & Yoke Assembly				x							x	x
53		656F41 Touch Pad Spring		x	x	x	x	x	x	x	x	x	x	x
54		656F66-8 Screw		x	x	x	x	x	x	x	x	x	x	x

Part Number	Specify	Description	x710		x750		x755 x759		x7M10		x7M50		x7M55 x7M57		x810		x850		x855 x859		
			Levers	Knobs	Levers	Knobs	Levers	Knobs	Levers	Knobs	Levers	Knobs	Levers	Knobs	Levers	Knobs	Levers	Knobs	Levers	Knobs	
① 651F00	fin	Escutcheon																			
651F01	fin	Escutcheon																			
651F04	fin	Escutcheon																			
651F06	fin	Escutcheon																			
651F08	fin	Escutcheon																			
651F09	fin	Escutcheon																			
651F10	fin	Escutcheon																			
651F11	fin	Escutcheon																			
651F12	fin	Escutcheon																			
651F13	fin	Escutcheon	x	x	x	x															
651F14	fin	Escutcheon					x	x													
651F15	fin	Escutcheon																			
651F16	fin	Escutcheon																			
651F17	fin	Escutcheon																			
651F18	fin	Escutcheon																			
651F19	fin	Escutcheon																			
651F20	fin	Escutcheon																			
651F21	fin	Escutcheon																			
651F24	fin	Escutcheon																			
651F25	fin	Escutcheon																			
651F26	fin	Escutcheon																			
651F27	fin	Escutcheon																			
656F54	fin	Escutcheon							x		x										
656F55	fin	Escutcheon							x		x										
656F56	fin	Escutcheon											x								
656F57	fin	Escutcheon											x								
656F58	fin	Escutcheon																		x	
656F59	fin	Escutcheon																	x		
656F60	fin	Escutcheon															x		x		
656F61	fin	Escutcheon													x		x				
656F62	fin	Escutcheon																			
656F63	fin	Escutcheon																			
② 651F34	fin	Operator Thumbpiece																			
651F35	fin	Operator Thumbpiece																			
656F53	fin	Operator Thumbturn																			
⑤ 651F42-5		Housing																			
651F66-5		Housing/Cam Assembly														x	x	x	x		
651F67-5		Housing/Cam Assembly					x	x													
651F96-5		Housing/Cam Assembly																		x	x
651F97-5		Housing																			
⑥ 655F02-8		Screw, Cylinder Mounting					x	x												x	x
⑦ 656F65-8		Screw, Function					x	x												x	x

	F250	F257	F2M57	F350	F357	F3M57	F450	F457	T1310	T1350	T1355	T1357	T13M10	T13M55	T13M57	O1410	O1455/59	T1410	T1450	T1455/59	T1457
①	x							x								x	x	x	x	x	x
				x						x									x		
			x																		
									x												
②									x		x										
⑤		x			x			x				x									x
⑥		x			x			x				x						x			x
⑦																					

Part Number	Specify	Description	x710		x750		x755 x759		x7M10		x7M50		x7M55 x7M57		x810		x850		x855 x859	
			Lever	Knob	Lever	Knob	Lever	Knob	Lever	Knob	Lever	Knob	Lever	Knob	Lever	Knob	Lever	Knob	Lever	Knob
8	651F63-8	Gear/Black Housing Assembly	x	x			x	x												
9	651F50-8	Screw, Tailpiece Plate	x	x			x	x												
10	651F55-8	Tailpiece Assembly																		
	651F71-8	Tailpiece Assembly	x	x			x	x												
	655F69-8	Tailpiece Assembly																		
	655F70-8	Tailpiece Assembly	x	x			x	x												
11	651F64-8	Gear	x				x													
	651F77-8	Gear		x				x												
	655F54-8	Gear			x															
	655F55-8	Gear				x														
12	651F65-5	Hub	x				x													
	656F64	Hub & Pin Assembly		x				x												
13	651F72-8	Hub Bushing	x				x													
14	651F66-8	Cotter Pin	x	x			x	x												
15	651F73-8	Nut, Spindle	x				x													
	652F08-8	Nut, Spindle							x		x		x							
	652F09-8	Nut, Spindle							x		x		x							
16	118F29-9	Thimble Insert, Nylon	x		x		x		x		x		x		x		x		x	
	651F38-9	Thimble Insert, Nylon		x		x		x		x		x		x		x		x		x
17	652F10-8	fin Screw Packet, Mounting																		
	652F11-8	fin Screw Packet, Mounting																		
	652F12-8	fin Screw Packet, Mounting	x	x	x	x	x	x	x	x	x	x	x	x						
	652F13-8	fin Screw Packet, Mounting	x	x	x	x	x	x	x	x	x	x	x	x						
	652F14-8	fin Screw Packet, Mounting																		
	652F15-8	fin Screw Packet, Mounting																		
18	651F61-8	Spring, Return LHR	x				x													
	651F62-8	Spring, Return RHR	x				x													
	651F75-5	Spring, Return		x				x												
19	651F40-8	Spring	x	x			x	x							x	x			x	x
20	651F39-8	Hex Nut	x	x			x	x												
21	651F70-8	Washer under Tailpiece	x	x			x	x												
22	651F78-8	Nut, Spindle Gear		x		x		x												
	651F79-8	Nut, Spindle Gear			x															
23	652F05-8	Spindle Washer							x		x		x							
	652F06-8	Spindle Washer								x		x		x						
24	652F04-8	Spindle Bracket							x		x		x							
	652F07-8	Spindle Bracket -								x		x		x						
25	651F85-8	Cover Plate													x	x	x	x	x	x
26	651F94-8	Spring, Extension													x		x		x	
27	651F92-8	Nut, Spring Post													x		x		x	
28	651F82-8	Rack/Tailpiece Assembly													x	x			x	x
	652F21-8	Rack/Tailpiece Assembly															x	x		


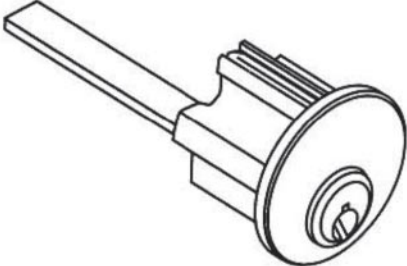
	F250	F257	F2M57	F350	F357	F3M57	F450	F457	T1310	T1350	T1355	T1357	T13M10	T13M55	T13M57	O1410	O1455/59	T1410	T1450	T1455/59	T1457
8																					
9									x		x										
10									x		x										
									x		x										
11																					
12																					
13																					
14																					
15																					
16																	x	x			
17																x	x	x	x	x	x
																x	x	x	x	x	x
	x	x	x																		
	x	x	x																		
				x	x	x			x	x	x	x	x	x	x						
				x	x	x			x	x	x	x	x	x	x						
18																					
19									x		x					x	x	x			x
20									x		x										
21																					
22																					
23																					
24																					
25																x	x	x			x
26																					
27																					
28																x	x	x			x

Part Number	Specify	Description	x710		x750		x755 x759		x7M10		x7M50		x7M55 x7M57		x810		x850		x855 x859			
			Levers	Knobs	Levers	Knobs	Levers	Knobs	Levers	Knobs	Levers	Knobs	Levers	Knobs	Levers	Knobs	Levers	Knobs	Levers	Knobs		
29	651F53-8	Clutch Lever																		x	x	
30	651F83-8	Pin, Clutch Lever																			x	x
31	651F89-8	Retainer, Clutch Lever Pin																			x	x
32	651F88-8	Nut, Cover Plate													x	x	x	x	x	x	x	x
33	652F22-8	Hub													x	x	x	x	x	x	x	x
34	652F23-9	Bushing, Nylon													x	x	x	x	x	x	x	x
35	651F84-8	Washer Grip													x	x	x	x	x	x	x	x
36	651F87-8	Screw, Spindle													x	x	x	x	x	x	x	x
37	651F86-8	Spring, Rack														x		x				x
	651F93-8	Spring, Rack													x		x					x
38	651F36-2	fin Pull, Straight																				
	651F37-2	fin Pull, Offset																				
39	651F43-8	Screw Post																				
40	651F44-8	Lock Washer, Screw Post																				
41	651F47-8	Spring, Thumbpiece																				
	651F59-8	Spring, Thumbpiece																				
42	651F49-8	Slider, Thumbpiece																				
43	651F54-5	Housing, Tailpiece Assembly																				
44	651F41-8	Screw																				
45	651F56-8	Thumbpiece Tab																				
46	651F57-8	Thumbpiece Bracket																				
47	651F60-8	Retaining Ring																				
48	651F48-8	Pin, Thumbpiece																				
	651F58-7	Pin, Thumbpiece																				
49	651F28	Thimble		x		x		x														
	652F19	Thimble	x			x		x														
50	651F98-8	Pin, Groove																				

	F250	F257	F2M57	F350	F357	F3M57	F450	F457	T1310	T1350	T1355	T1357	T13M10	T13M55	T13M57	O1410	O1455/59	T1410	T1450	T1455/59	T1457
29																	x				x
30																	x				x
31																	x				x
32																	x	x	x		x
33																	x	x	x		x
34																	x	x	x		x
35																	x	x			
36																	x	x			
37																	x	x	x		x
38									x	x	x	x	x	x	x						
39									x	x	x	x	x	x	x	x	x	x	x	x	x
40									x	x	x	x	x	x	x	x	x	x	x	x	x
41									x		x										
42									x		x			x	x						
43									x		x										
44									x	x	x	x	x	x	x						
45													x	x							
46													x	x							
47													x	x							
48									x		x			x							
49													x	x							
50																		x			x

Cylinders

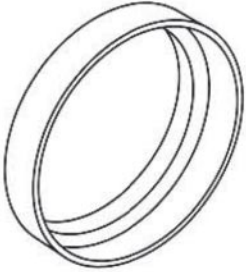
Specify Part Number x Keyway x Finish (e.g., 1000-118-A02 x L4 x 626).

Cylinder Type	Part Number	Description
 <p>Mortise (ED5600, ED5600A and cylinder dogging only)</p>	1000-118-A02	6 - pin, 1 1/8" straight cam
	1000-114-A02-7	7 - pin, 1 1/8" straight cam
	1010-118-A02	6 - pin, 1 1/8" high security, straight cam
	1080-114-A02	6 - pin, 1 1/8" interchangeable core (IC) straight cam
	1070-114-A02	6 - pin, 1 1/4" IC less core
	1090-114-A02	6 - pin, 1 1/4" IC high security straight cam
	1012-114-A02	6 - pin, 1 1/4" high security with blackout
 <p>Rim (non-mortise trim only)</p>	3000-138*	6 - pin, horizontal tailpiece
	3000-138-7*	7 - pin, horizontal tailpiece
	3010-138*	6 - pin, horizontal tailpiece high security
	3012-114*	6 - pin, blackout function high security
	3080-114*	6 - pin, 1 1/8" interchangeable core (IC)
	3070-114*	6 - pin, IC less core
	3070-114-7*	7 - pin, IC less core
	3080-114-7*	7 - pin, IC
	3090-114*	6 - pin, high security IC

*For 57 function trim, change "-138" to "-200" and change "-114" to "-178".

Cylinder Collars

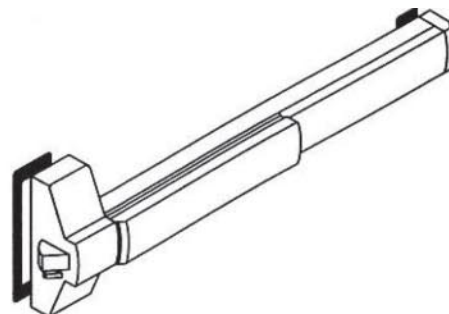
To order separately, specify Part Number x Finish

	Cylinder Length	Cylinder Mechanism	Application	Collar
	1 1/8"	6 - pin conventional High security	Rim and vertical rod trim	270F15
Mortise 1 3/4" - 2" door			447F42	
Mortise 2 1/4" door			447F41	
Dogging cylinder			None	
1 1/4"	7 - pin conventional 6 - pin IC High security IC Blockout	Rim and vertical rod trim	654F07	
		Mortise 1 3/4" - 2" door	610F02	
		Mortise 2 1/4" door	447F42	
		Dogging cylinder	270F15	
1 1/2"	7 - pin IC	Rim and vertical rod trim	654F08	
		Mortise 1 3/4" - 2" door	609F36	
		Mortise 2 1/4" door	610F02	
		Dogging cylinder	654F07	

Shim Kits

Designed for mounting an exit device over raised vision light molding. Each kit contains the parts required to shim a device 1/4". Black finish.

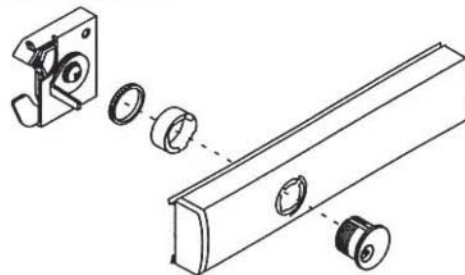
Exit Device Type	Shim Kit Part No.
ED5200(A)	697F33-8
ED5600(A)	
ED5800(A)	
ED5400(A)	697F34-8
ED4200	697F35-8
ED4800	
ED4400	697F36-8



Cylinder Dogging Kits

Designed to convert a panic device from hex key dogging to cylinder dogging. Not permitted on fire-rated devices.

Bar Length	Cylinder Dogging Kit Part No.
36"	653F12
48"	653F14



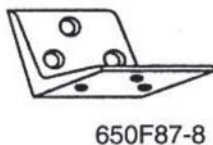
Surface and Concealed Vertical Rod Extension Kits

Used to extend the height of standard length rods supplied with ED4400, ED4800, ED5400(A), and ED5800(A) Series exit devices.

Rod Extension	Kit Part Number (Specify Finish)
2"	655F15
6"	655F16
12"	655F17

Flush Transom Top Strike Bracket

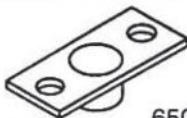
Optional for use with ED4400 and ED5400(A) devices. Used to mount top strike on openings with flush transom. 2 1/2" x 1 5/8". Black finish only.



650F87-8

Bottom Strike for 1/2" Thresholds

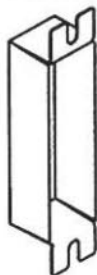
Optional for use with ED4400, ED4800, ED5400(A) and ED5800(A) devices. Required in fire-rated openings with 1/2" threshold or for flush mount. 2 5/8" x 1 1/16". Black finish only.



650F88-8

ANSI Wrought Strike Box

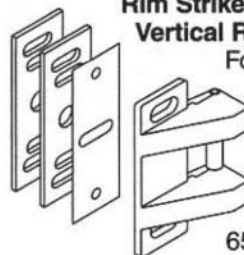
Optional for use with ED5600(A) devices.



120F76-8

Rim Strike for Pairs of Doors with Vertical Rod Device

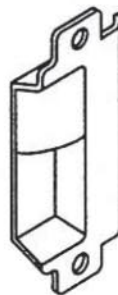
For ED5200A. Black finish.



655F71-8

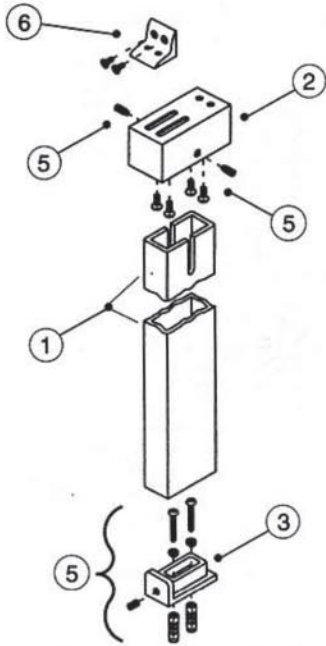
Open Back Strike

Optional for use with ED5600 x ED5400 devices on a pair of doors. Non-handed, 4 7/8" x 1 1/4". Black finish only.

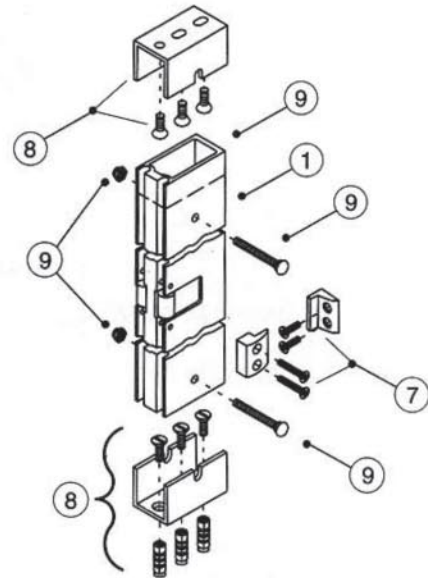


Door Thickness	Type	Part No.
1 3/4"	Curved lip	653L18-3016
	Straight lip	653L16-3016
2 1/4"	Curved lip	653L18-3020
	Straight lip	653L16-3020

707A, 708A, 710 for ED5000 Series Devices



808 for ED4000 Series Devices

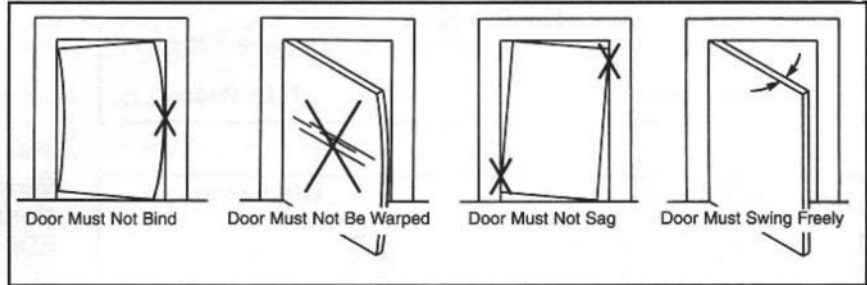


ITEM	PART NO.	DESCRIPTION
①	655F50-8 655F51-8 655F52-8	Mullion only 7' for 707A 8' for 708A 10' for 710
②	655F60-8	Upper Mounting Bracket
③	655F61-8	Lower Mounting Bracket
④	655F62-8	Anchor Pad
⑤	655F65-8	Screw Packet contains: Screw #12-24 x 3/4" FHM-PH (4) Set Screw 5/16-18 x 3/8" (1) Set Screw, Half Dog (2) 5/16-18 x 5/8" Screw 1/4-20 x 3/4" RHM-PH (2) Lock Washer 1/4" (2) Masonry Anchor 1/4-20 (2)
⑥	655F63-8	Angle Bracket Packet (optional) contains: Angle Bracket (1) Screw #12-24 x 7/16" OHM-PH (2)
⑦	653F11-1 655F18-8	Stabilizer Kit (optional) contains: Stabilizer Brackets (2) Stabilizers (2) Stabilizer Spacers (4) Screw #10-24 x 3/4" FHM-PH (4) Screw #10-24 x 1" FHM-PH (4) Parts Packet contains: Items 2, 3, 4, and 5

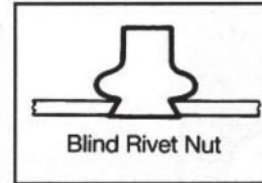
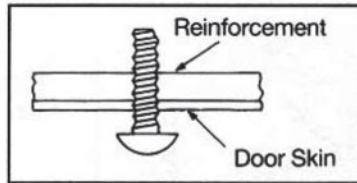
ITEM	PART NO.	DESCRIPTION
①	655F53-1*	Mullion only, 8'
⑦	653F11-1*	Stabilizer Kit contains: Stabilizer Brackets (2) Stabilizers (2) Stabilizer Spacers (4) Screw #10-24 x 3/4" FHM-PH (4) Screw #10-24 x 1" FHM-PH (4)
⑧	655F56-8*	Mounting Bracket Packet contains: Mullion Mounting Plate (2) 1/4-20 x 1/2" FHUM-PH (6) 1/4-20 Masonry Anchor (3)
⑨	655F59-8*	Carriage Bolt Packet contains: 1/4-20 x 1 3/4" Carriage Bolt (2) 1/4-20 Acorn Nut (2)
	Not Shown: 655F19-8*	Parts Packet contains: Items 7, 8, and 9

* Specify 628 or 695 finish

Many problems with the operation of exit devices are caused by factors other than the device itself. Among the most common is a misalignment or an improper fit of the door within the frame.



Another common source of problems is improper installation. Even if all cutouts and screw holes are properly located, exit devices must be securely fastened to properly reinforced doors. Hollow doors and frames with a structural thickness (metal skin plus reinforcement, or solid hardwood) must have at least three full screw threads to be considered reinforced.



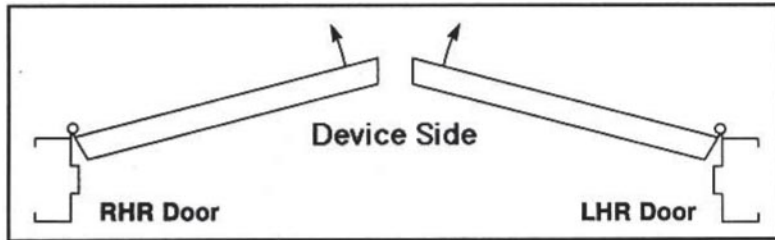
Thinner doors and frames require the following fasteners for secure and proper operation:

Doors:

Use sex nuts and bolts

Frames:

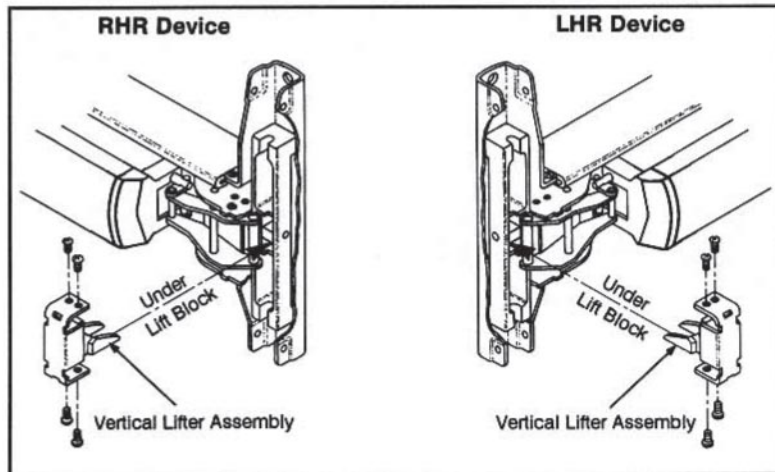
Use blind rivet nuts (not furnished by Corbin Russwin).



Rim Devices

ED4200, ED5200(A) series

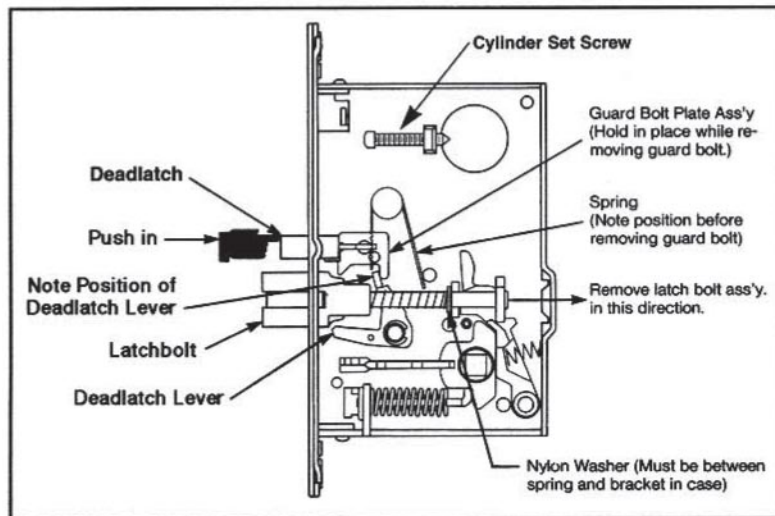
These devices are non-handed.



Vertical Rod Devices, Surface and Concealed

ED4400, ED4800, ED5400(A), ED5800(A) series

Remove four screws and vertical lifter assembly. Turn device to opposite orientation, insert lifter assembly and reinstall screws.



**Mortise Devices
5600(A) Series**

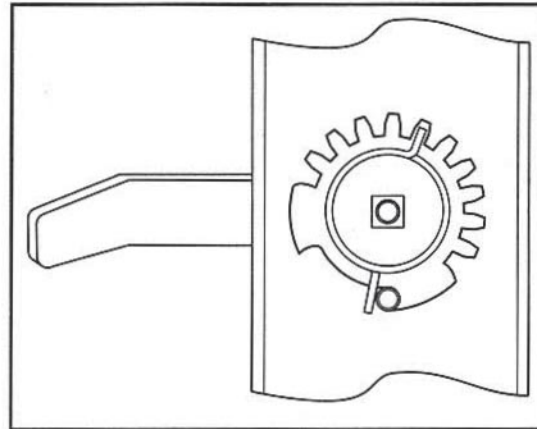
To reverse, remove latchbolt and deadlatch, flip both over and reinstall. Also flip cylinder set screw and clamp assembly.

Illustration depicts typical lockbody with cover removed. Only components relevant to lock handing are shown. Other components vary according to lock function.

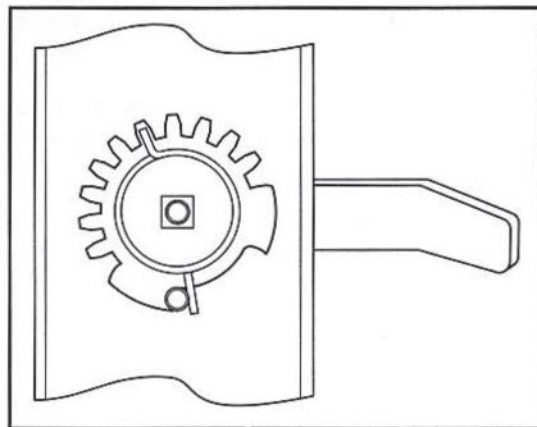
x7 Lever Handle Trim

1. Remove cotter pin.
2. Remove castle nut.
3. Observe spring orientation:
LHR: Red spring (part # 651F61-8)
 Short lead is at 11 o'clock and long lead is to lever side of stump at 6 o'clock.
RHR: Blue spring (part # 651F62-8)
 Short lead is at 11 o'clock and long lead is to lever side of stump at 6 o'clock.
4. Remove round housing, spring and spacer.
5. Note orientation of "gap" which governs rotation in gear and remove gear.
6. Rotate lever 180°.
7. Flip gear over and reinstall, observing proper gap orientation for new direction of rotation:
LHR 6 - 8 o'clock
RHR 4 - 6 o'clock
8. Install spring of opposite hand (color). Place spring around spindle with long lead against gear and to lever side of post. Place housing (gap side toward lever) over spring and spindle until square in housing begins to slide down on spindle. While applying downward pressure on housing, wind short lead of spring toward lever until housing snaps into place.
9. Replace spacer in housing. Spring, housing and spacer should now be oriented as indicated in step 3 above.

 Note: Housing gap will always be to the lever side and spring will be slightly preloaded when properly installed.
10. Be sure lever thimble is seated properly in escutcheon. Reinstall nut but do not over tighten. Lever should rotate freely.
11. Replace cotter pin.

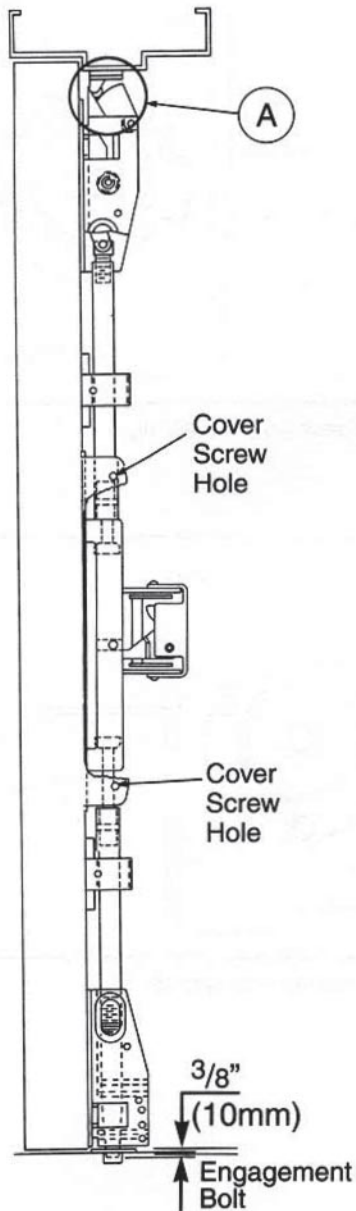


Right-hand reverse (blue spring)



Left-hand reverse (red spring)

Vertical Rod Devices



If top latch does not engage properly, check alignment. When locked, roller on strike should be between tripping lever and bolt (area A). Shim or reposition strike if necessary.

Bolts extend automatically when door closes and top strike hits tripping lever. Top bolt should retract flat. Bottom bolt should travel $1/2$ " and engage $3/8$ " into strike in down position, without dragging on floor surface in up position.

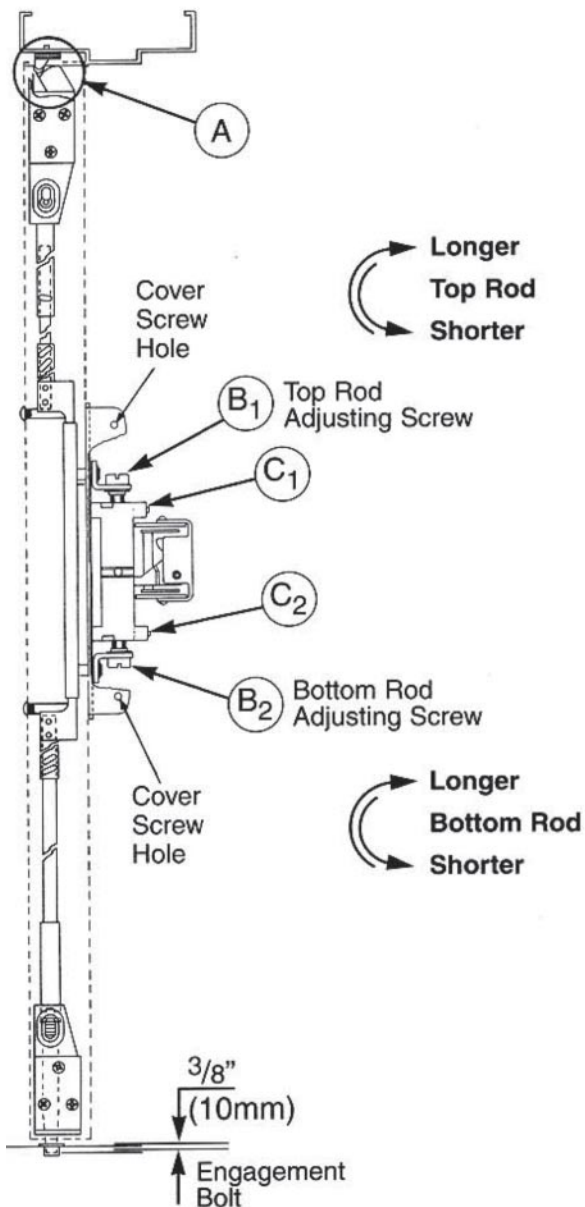
Rod Adjustment for Bolt Throw

1. Remove active case cover screws and cover.
2. For each rod to be adjusted, remove rod guide cover screws and rod guide cover. Tilt rod out of engagement in active case. Allow it to snap out of rod guide. Twist rod clockwise (inward) to shorten bolt throw or counter-clockwise (outward) to lengthen throw.
3. Snap rod(s) back into position and test operation by opening and closing door. Repeat step 2 if necessary.
4. When adjustment is complete, reinstall rod guide cover and active case cover.

Maintenance

1. Periodically remove covers and coat mechanisms with a silicone base lubricant. This is regularly required in corrosive environments for proper product operation.
2. Check mounting fasteners periodically. Retighten if found loose. Apply screw locking compound or change part fasteners if screws continue to back out.
3. Periodic checks and adjustments of rods may be required to compensate for door or frame sag.

Concealed Vertical Rod Devices



Rods should move freely inside door. Bolts extend automatically when door closes and top strike hits tripping lever. Top bolt should retract flat. Bottom bolt should travel $1/2"$ and engage $3/8"$ into strike in down position, without dragging on floor surface in up position.

If top latch does not engage properly, check alignment. When locked, roller on strike should be between tripping lever and bolt (Area A). Shim or reposition strike if necessary.

Rod Adjustment for Bolt Throw

1. Remove active head cover screws and cover.
2. Use $3/32"$ Allen wrench to loosen set screws C1 and C2.
3. Adjusting screws B1 and B2 only provide fine rod adjustment. If screws bottom out before proper device operation, door and device must be removed. Larger adjustments may then be made either by threading rod in or out, or by moving cotter pin to different hole in rod.
4. When finished, lock adjusting screws in place with Allen set screws. Caution: To avoid thread damage and provide positive locking, be sure Allen set screws engage flats on adjusting screws.

Maintenance

1. Periodically remove covers and coat exposed mechanisms with a silicone base lubricant. This is regularly required in corrosive environments for proper product operation.
2. Check mounting fasteners periodically. Retighten if found loose. Apply screw locking compound or change part fasteners if screws continue to back out.
3. Periodic checks and adjustments of rods may be required to compensate for door or frame sag.



ASSA ABLOY

In U.S.

Corbin Russwin
Architectural Hardware
225 Episcopal Road
Berlin, CT 06037
Phone: 800-543-3658
Fax: 800-447-6714
corbinrusswin.com

In Canada

ASSA ABLOY Door
Security Solutions Canada
160 Four Valley Drive
Vaughan, Ontario
Canada L4K 4T9
Phone: 800-461-3007
Fax: 905-738-2478
www.assaabloy.ca

For more information regarding Corbin Russwin Locksets, Exit Devices, Door Controls and Key Systems, contact your authorized Corbin Russwin Distributor or Sales Representative.

Corbin Russwin and Design® is a registered trademark of Corbin Russwin, Inc, an ASSA ABLOY Group company. Other products' brand names may be trademarks or registered trademarks of their respective owners and are mentioned for reference purposes only. These materials are protected under US copyright laws. All contents current at time of publication. Corbin Russwin, Inc., an ASSA ABLOY Group company reserves the right to change availability of any item in this catalog, its design, construction, and/or its materials. Copyright © 2000, 2009 Corbin Russwin, Inc., an ASSA ABLOY Group company. All rights reserved. Reproduction in whole or in part without the express written permission of Corbin Russwin, Inc. is prohibited.

ASSA ABLOY is the global leader in door opening solutions, dedicated to satisfying end-user needs for security, safety and convenience.