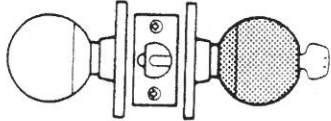
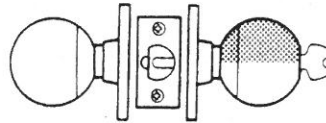


8G04



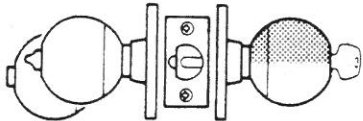
STOREROOM
OR SERVICE
PAGE 8.1

8G37, 8G87, 8G70, 8G71



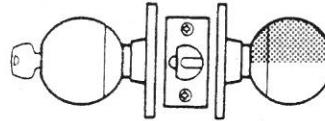
CLASSROOM
OR HOSPITAL
PAGE 8.8

8G05, 8G24, 8G44, 8G54



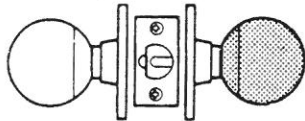
ENTRANCE, OFFICE
SERVICE STATION
AND DORMITORY
PAGE 8.2

8G47



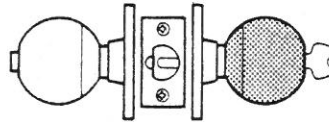
EXIT OR UTILITY
PAGE 8.9

8G13



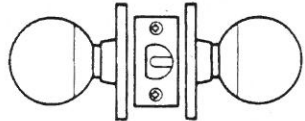
EXIT
PAGE 8.3

8G50



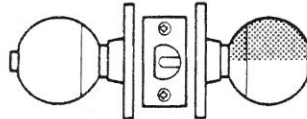
HOTEL OR MOTEL
PAGE 8.10

8U15



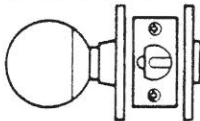
PASSAGE
PAGE 8.4

8U65



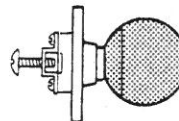
PRIVACY, BEDROOM
OR BATHROOM
PAGE 8.11

8G15-3



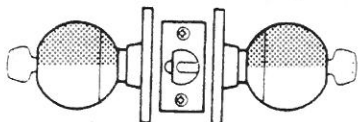
EXIT OR TWIN
COMMUNICATING
PAGE 8.5

8U93



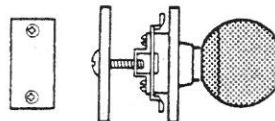
SINGLE KNOB PULL
PAGE 8.12

8G16, 8G26, 8G30



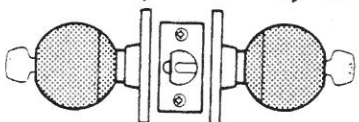
PUBLIC ENTRANCE,
STOREROOM, STORE
OR COMMUNICATING
PAGE 8.6

8U93-2



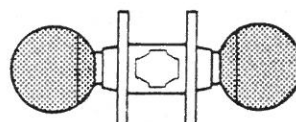
SINGLE KNOB PULL
PAGE 8.13

8G17, 8G74, 8G75



ASYLUM
PAGE 8.7

8U94



DOUBLE KNOB PULL
PAGE 8.14

Standard Knob Assemblies _____ Page 8.15

Electro-Mechanical Knob Assemblies _____ Page 8.16

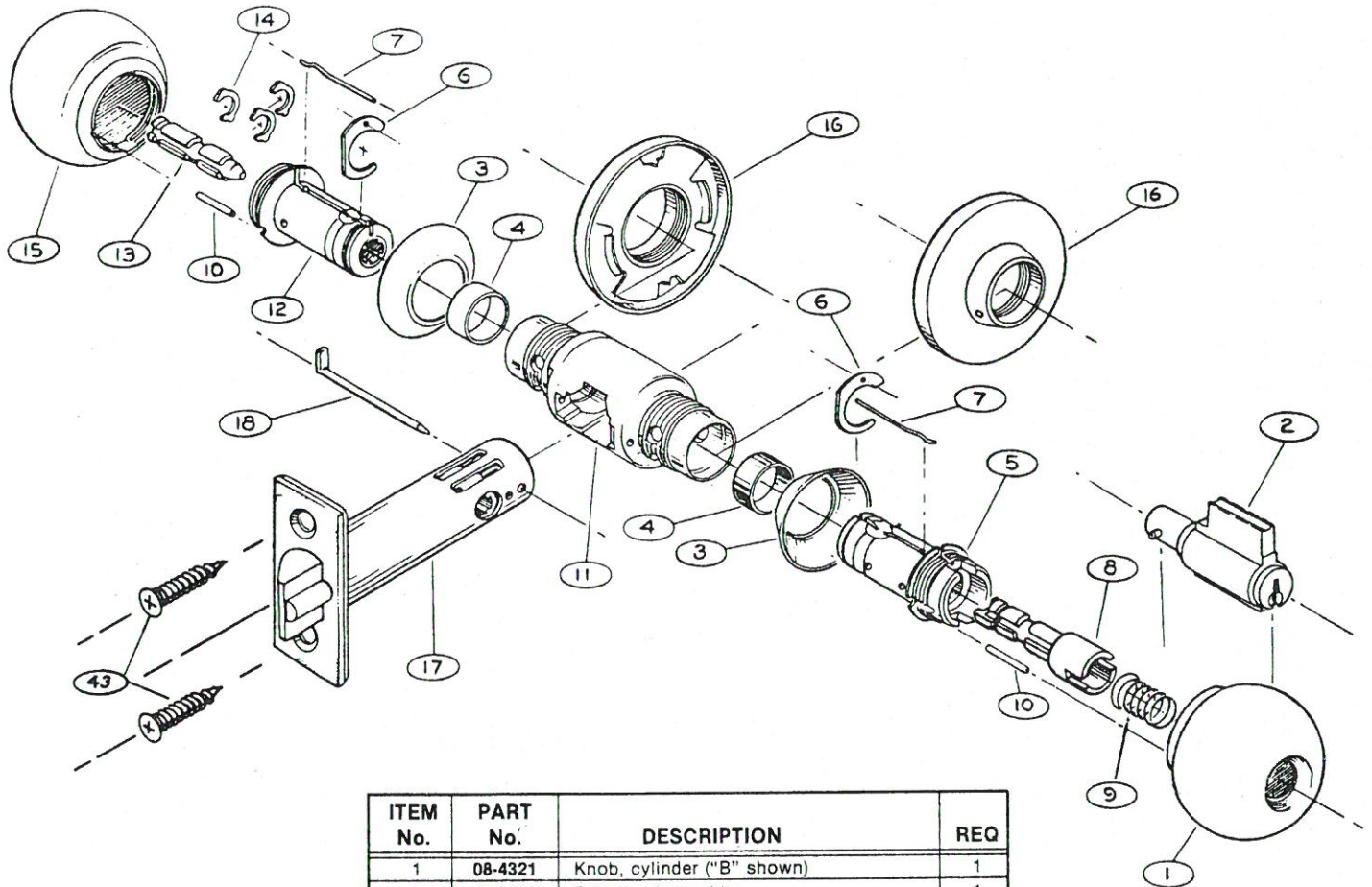
Screw Pack Information _____ Page 8.17

8-Line Parts List _____ Pages 8.18, 8.19, 8.20, 8.21
8.22, and 8.23

41 Prefix included in Parts List

Parts List

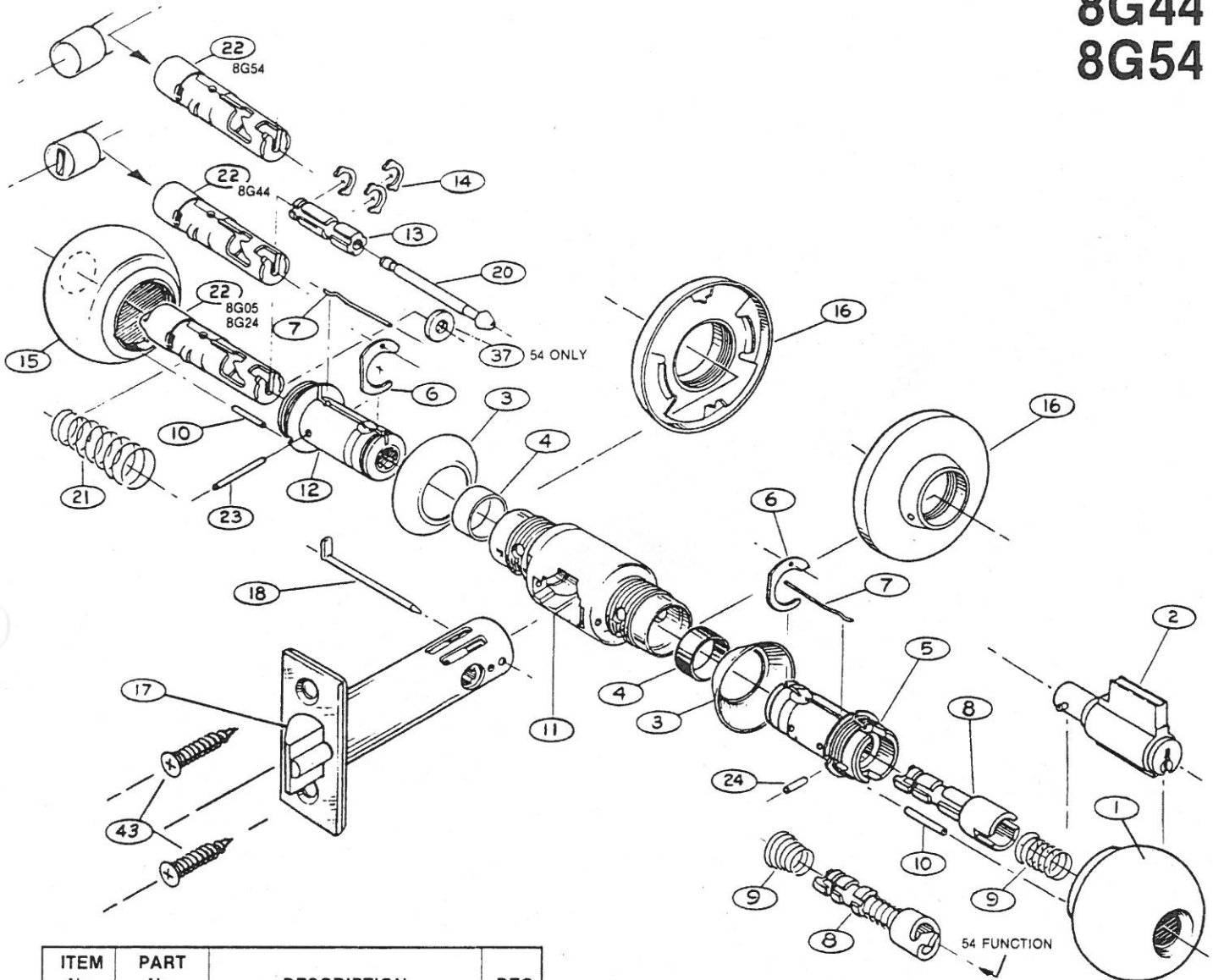
| Page No. | Rev. |
|----------|------|
| 8.0 | B |



| ITEM No. | PART No. | DESCRIPTION | REQ |
|----------|----------|--|-----|
| 1 | 08-4321 | Knob, cylinder ("B" shown) | 1 |
| 2 | 13-2194 | Cylinder Assembly | 1 |
| 3 | 76-0027 | Knob Collar | 2 |
| 4 | 08-0365 | Nylon Ring, outside (black) | 1 |
| 4 | 08-0102 | Nylon Ring, inside (white) | 1 |
| 5 | 08-0100 | Shank, outside | 1 |
| 6 | 09-0019 | Knob Retainer | 2 |
| 7 | 06-0185 | Knob Retainer Spring | 2 |
| 8 | 08-2777 | Driver Assy., outside | 1 |
| 9 | 08-0407 | Cylinder Spring | 1 |
| 10 | 76-0563 | Knob Pin | 2 |
| 11 | 08-2670 | Aligning Tube Assy. | 1 |
| 12 | 08-0101 | Shank, inside | 1 |
| 13 | 08-0139 | Solid Driver, inside | 1 |
| 14 | 08-0166 | Retainer Ring | 3 |
| 15 | 08-4320 | Knob, plain ("B" shown) | 1 |
| 16 | 08-3312 | Rose ("O" shown) | 2 |
| 17 | 08-2510 | Guarded Latch Assy. | 1 |
| 17 | 08-2517 | Latchbolt Assy.— $\frac{3}{4}$ " throw (41 prefix) | 1 |
| 18 | 06-0176 | Aligning Pin | 1 |
| 43 | 01-5000 | # 8-32 x $\frac{3}{4}$ " Mach. Screw | 2 |

Parts List

Page No. Rev.
8.1 B

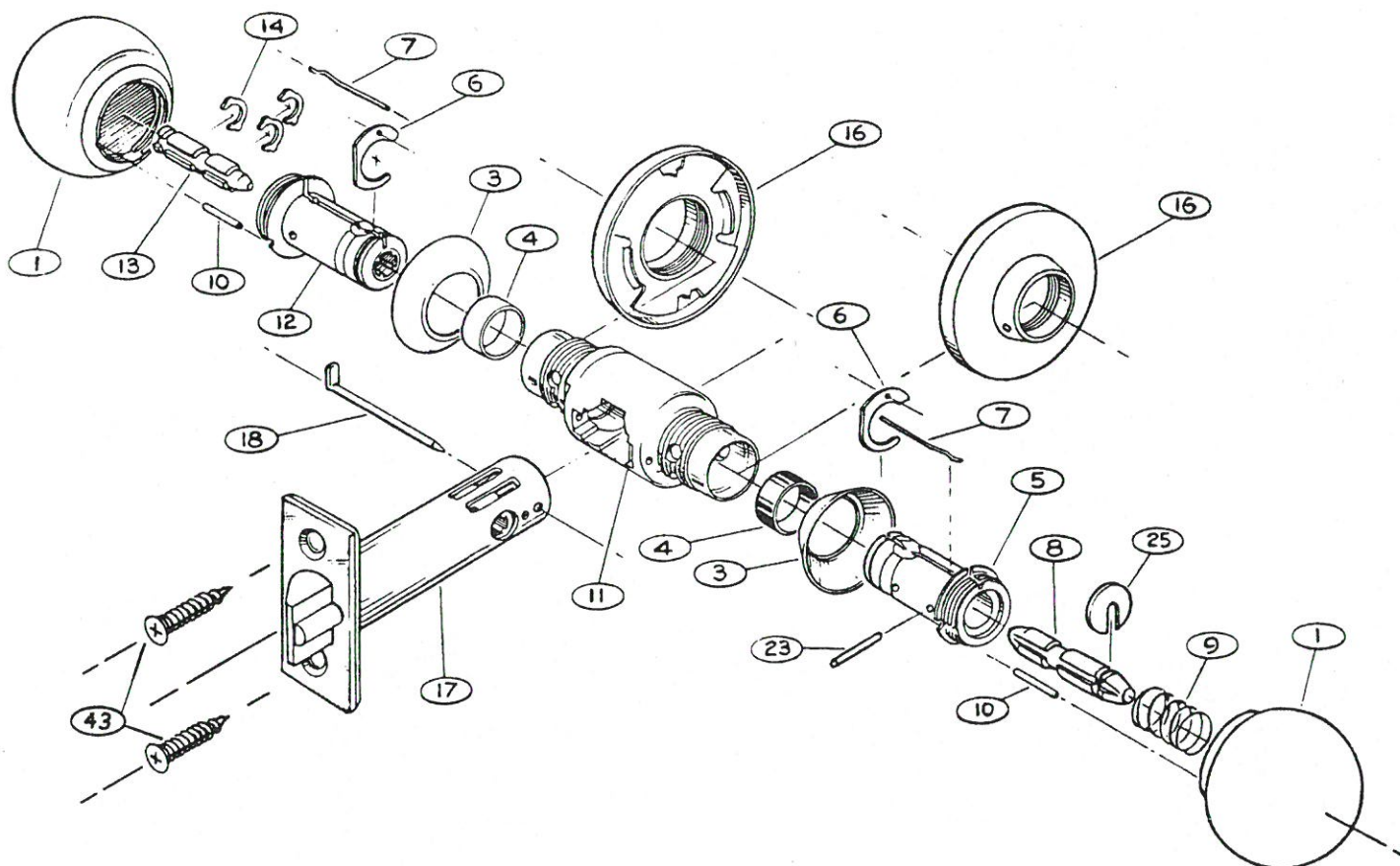


| ITEM No. | PART No. | DESCRIPTION | REQ |
|----------|----------|------------------------------------|-----|
| 1 | 08-4321 | Knob, cylinder ("B" shown) | 1 |
| 2 | 13-2194 | Cylinder Assembly | 1 |
| 3 | 76-0027 | Knob Collar | 2 |
| 4 | 08-0365 | Nylon Ring, outside (black) | 1 |
| 4 | 08-0102 | Nylon Ring, inside (white) | 1 |
| 5 | 08-0100 | Shank, outside (05, 24, 44) | 1 |
| 5 | 08-0327 | Shank, outside (54) | 1 |
| 6 | 09-0019 | Knob Retainer | 2 |
| 7 | 06-0185 | Knob Retainer Spring | 2 |
| 8 | 08-2777 | Driver Assy., outside (05, 24, 44) | 1 |
| 8 | 08-2782 | Driver Assy., outside (54) | 1 |
| 9 | 08-0407 | Cylinder Spring (05, 24, 44) | 1 |
| 9 | 08-0214 | Spiral Cam Spring (54) | 1 |
| 10 | 76-0563 | Knob Pin | 2 |
| 11 | 08-2670 | Aligning Tube Assy. | 1 |
| 12 | 08-0101 | Shank, inside | 1 |
| 13 | 08-0137 | Hollow Driver, inside | 1 |
| 14 | 08-0166 | Retainer Ring | 3 |
| 15 | 08-4321 | Knob button ("B" shown) | 1 |
| 16 | 08-3312 | Rose ("O" shown) | 2 |

| | | | |
|----|---------|--|---|
| 17 | 08-2510 | Guarded Latch Assy. (05) | 1 |
| 17 | 08-3416 | Guarded Latch Assy. (24) | 1 |
| 17 | 08-3364 | Guarded Latch Assy. (44, 54) | 1 |
| 17 | 08-2517 | Latch Bolt Assy.— $\frac{1}{4}$ " throw (05) (41 prefix) | 1 |
| 18 | 06-0176 | Aligning Pin | 1 |
| 20 | 08-0158 | Push Rod | 1 |
| 21 | 06-0364 | Tail Spring | 1 |
| 22 | 08-4326 | Turn Button & Tail (05, 24) | 1 |
| 22 | 08-4328 | Universal Button & Tail (44) | 1 |
| 22 | 08-4327 | Push Button & Tail (54) | 1 |
| 23 | 06-0168 | Spirol Pin (05, 24, 44) | 1 |
| 24 | 01-0362 | Spirol Pin (54 only) | 1 |
| 37 | 06-0218 | Washer (54 only) | 1 |
| 43 | 01-5000 | # 8-32 x $\frac{1}{4}$ " Machine Screw | 2 |

Parts List

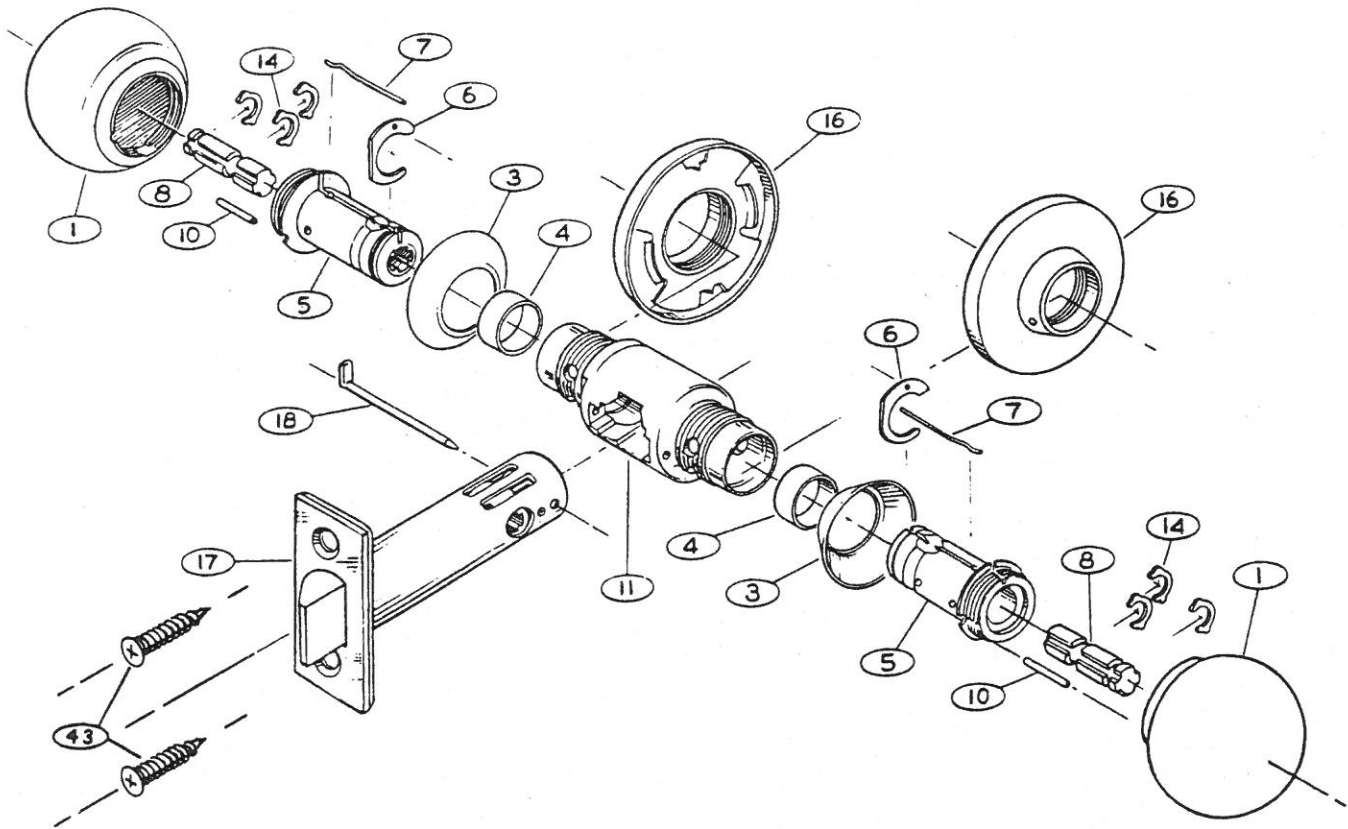
Page No. Rev.
8.2 B



| ITEM No. | PART No. | DESCRIPTION | REQ |
|----------|----------|-----------------------------|-----|
| 1 | 08-4320 | Knob, plain ("B" shown) | 2 |
| 3 | 76-0027 | Knob Collar | 2 |
| 4 | 08-0365 | Nylon Ring, outside (black) | 1 |
| 4 | 08-0102 | Nylon Ring, inside (white) | 1 |
| 5 | 08-0101 | Shank, outside | 1 |
| 6 | 09-0019 | Knob Retainer | 2 |
| 7 | 06-0185 | Knob Retainer Spring | 2 |
| 8 | 08-0143 | Driver, Retracting | 1 |
| 9 | 09-0277 | Retracting Driver Spring | 1 |
| 10 | 76-0563 | Knob Pin | 2 |
| 11 | 08-2670 | Aligning Tube Assy. | 1 |
| 12 | 08-0101 | Shank, inside | 1 |
| 13 | 08-0139 | Solid Driver, inside | 1 |
| 14 | 08-0166 | Retainer Ring | 3 |
| 16 | 08-3312 | Rose ("O" shown) | 2 |
| 17 | 08-2510 | Guarded Latch Assy. | 1 |
| 18 | 06-0176 | Aligning Pin | 1 |
| 23 | 06-0168 | Spiral Pin | 1 |
| 25 | 09-0003 | Retracting Driver Washer | 1 |
| 43 | 01-5000 | # 8-32 x 3/4" Machine Screw | 2 |

Parts List

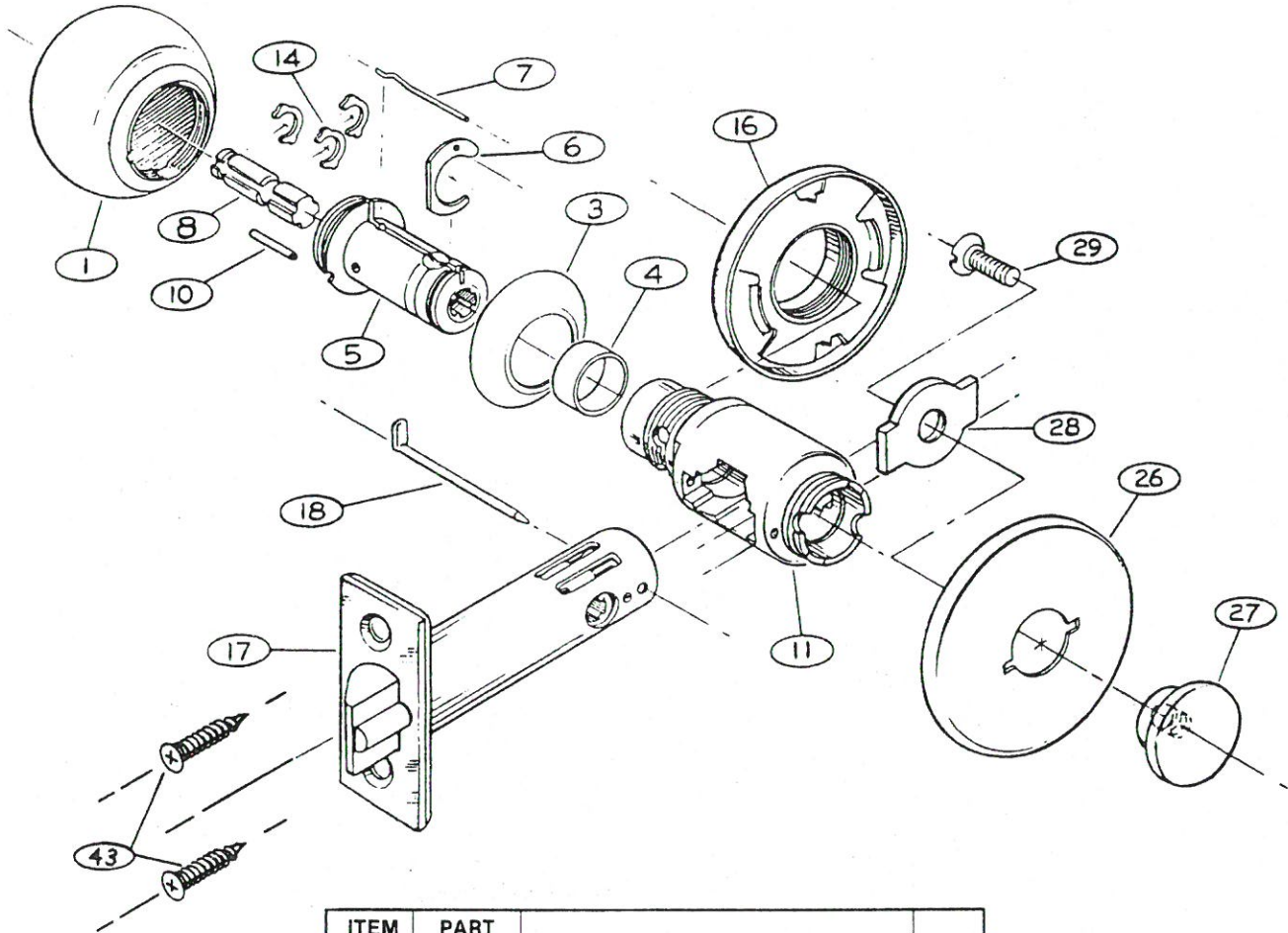
Page No. Rev.
8.3 B



| ITEM No. | PART No. | DESCRIPTION | REQ |
|----------|----------|---|-----|
| 1 | 08-4320 | Knob, plain ("B" shown) | 2 |
| 3 | 76-0027 | Knob Collar | 2 |
| 4 | 08-0102 | Nylon Ring (white) | 2 |
| 5 | 08-0101 | Shank | 2 |
| 6 | 09-0019 | Knob Retainer | 2 |
| 7 | 06-0185 | Knob Retainer Spring | 2 |
| 8 | 08-0138 | Solid Driver | 2 |
| 10 | 76-0563 | Knob Pin | 2 |
| 11 | 08-2671 | Aligning Tube Assy. | 1 |
| 14 | 08-0166 | Retainer Ring | 6 |
| 16 | 08-3312 | Rose ("O" shown) | 2 |
| 17 | 08-2500 | Unguarded Latch Assy. | 1 |
| 17 | 08-2517 | Latch Bolt Assy.— $\frac{3}{4}$ " throw (41 prefix) | 1 |
| 18 | 06-0176 | Aligning Pin | 1 |
| 43 | 01-5000 | # 8-32 x $\frac{3}{4}$ " Machine Screw | 2 |

Parts List

Page No. Rev.
8.4 B



| ITEM No. | PART No. | DESCRIPTION | REQ |
|----------|----------|-----------------------------------|-----|
| 1 | 08-4320 | Knob, plain ("B" shown) | 1 |
| 3 | 76-0027 | Knob Collar | 1 |
| 4 | 08-0102 | Nylon Ring (white) | 1 |
| 5 | 08-0101 | Shank | 1 |
| 6 | 09-0019 | Knob Retainer | 1 |
| 7 | 06-0185 | Knob Retainer Spring | 1 |
| 8 | 08-0138 | Solid Diver | 1 |
| 10 | 76-0563 | Knob Pin | 1 |
| 11 | 08-4324 | Aligning Tube Assy. (1 3/8" door) | 1 |
| 11 | 08-4455 | Aligning Tube Assy. (1 1/2" door) | 1 |
| 14 | 08-0166 | Retainer Ring | 3 |
| 16 | 08-3312 | Rose, inside ("O" shown) | 1 |
| 17 | 08-2510 | Guarded Latch Assy. | 1 |
| 18 | 06-0176 | Aligning Pin | 1 |
| 26 | 76-0110 | Rose, outside ("A" design only) | 1 |
| 27 | 06-0051 | Tap Plug | 1 |
| 28 | 06-0129 | Anchor Plate | 1 |
| 29 | 01-1027 | 10-24 x 3/8" scr. (1 3/8" door) | 1 |
| 29 | 01-1018 | 10-24 x 1/2" scr. (1 1/2" door) | 1 |
| 43 | 01-5000 | # 8-32 x 3/4" Machine Screw | 2 |

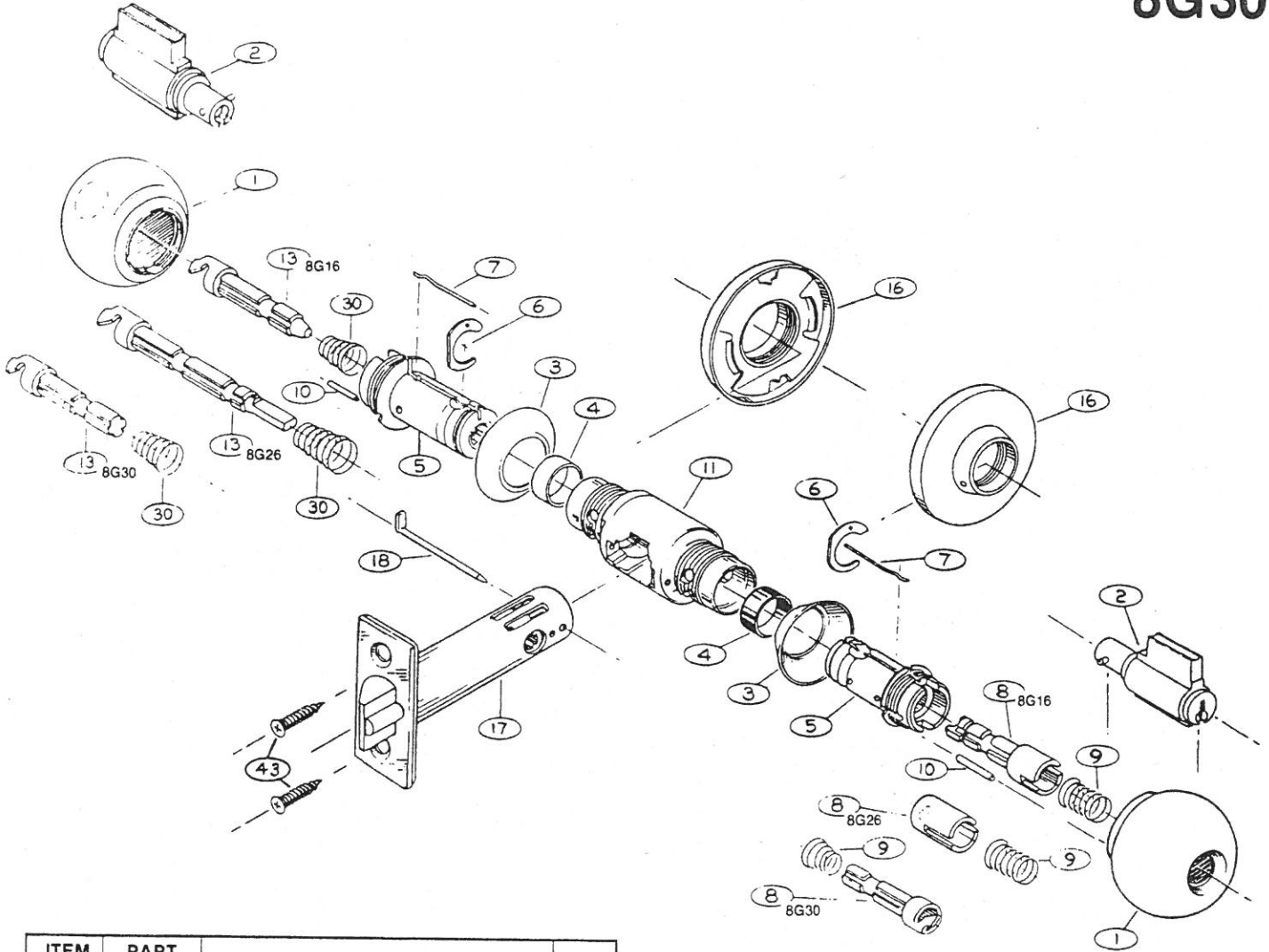
Parts List

Page No. Rev.

8.5 B

Slone

8G16
8G26
8G30



| ITEM No. | PART No. | DESCRIPTION | REQ |
|----------|----------|-------------------------------------|-----|
| 1 | 08-4321 | Knob, cylinder ("B shown") | 2 |
| 2 | 13-2194 | Cylinder Assembly | 2 |
| 3 | 76-0027 | Knob Collar | 2 |
| 4 | 08-0365 | Nylon Ring, outside (black) | 1 |
| 4 | 08-0102 | Nylon Ring, inside (white) | 1 |
| 5 | 08-0100 | Shank, inside & outside | 2 |
| 6 | 09-0019 | Knob Retainer | 2 |
| 7 | 06-0185 | Knob Retainer Spring | 2 |
| 8 | 08-2777 | Driver Assy., outside (16) | 1 |
| 8 | 08-0145 | Driver, outside (26) | 1 |
| 8 | 08-2831 | Locking Spindle Assy., outside (30) | 1 |
| 9 | 08-0407 | Cylinder Spring (16) | 1 |
| 9 | 08-0408 | Cylinder Spring (26) | 1 |
| 9 | 08-0214 | Spiral Cam Spring (30) | 1 |
| 10 | 76-0563 | Knob Pin | 2 |
| 11 | 08-2670 | Aligning Tube Assy. (16 funct.) | 1 |
| 11 | 08-2673 | Aligning Tube Assy. (26, 30 funct.) | 1 |
| 13 | 08-2832 | Locking Spindle Assy., inside (16) | 1 |
| 13 | 08-4082 | Locking Driver, inside (26) | 1 |
| 13 | 08-2831 | Locking Spindle Assy., inside (30) | 1 |
| 16 | 08-3312 | Rose ("O" shown) | 2 |

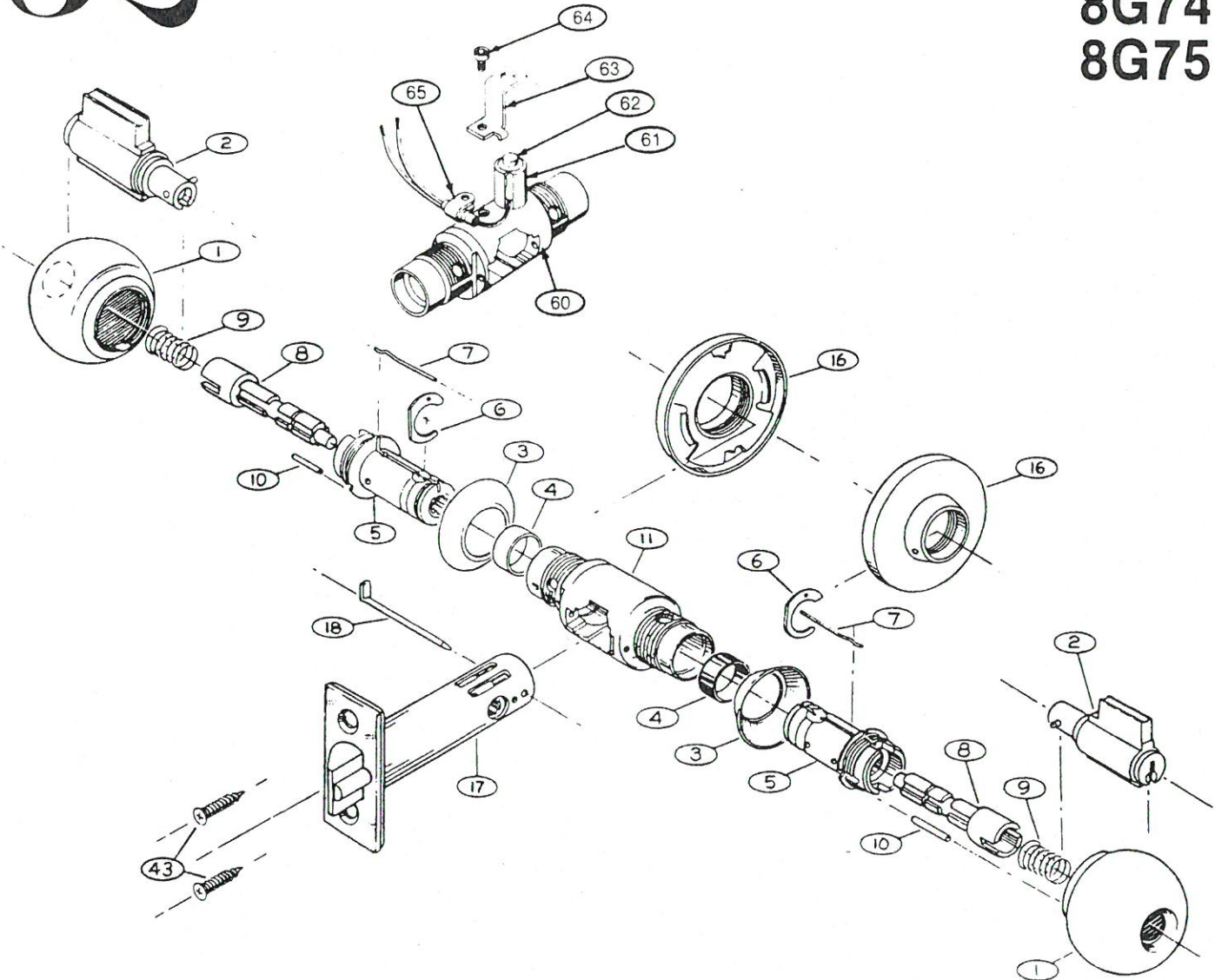
| ITEM No. | PART No. | DESCRIPTION | REQ |
|----------|----------|--|-----|
| 17 | 08-2510 | Guarded Latch Assy. | 1 |
| 17 | 08-2517 | Latch Bolt Assy.— $\frac{3}{4}$ " throw (16 & 26) (41 prefix) | 1 |
| 18 | 06-0176 | Aligning Pin | 1 |
| 30 | 08-0214 | Spiral Cam Spring, inside (16 & 30) | 1 |
| 30 | 09-0277 | Ret. Spindle Spring, inside (26) | 1 |
| 43 | 01-5000 | # 8-32 x $\frac{3}{4}$ " Machine Screw | 2 |

Parts List

Page No. Rev.
8.6 B

Slone

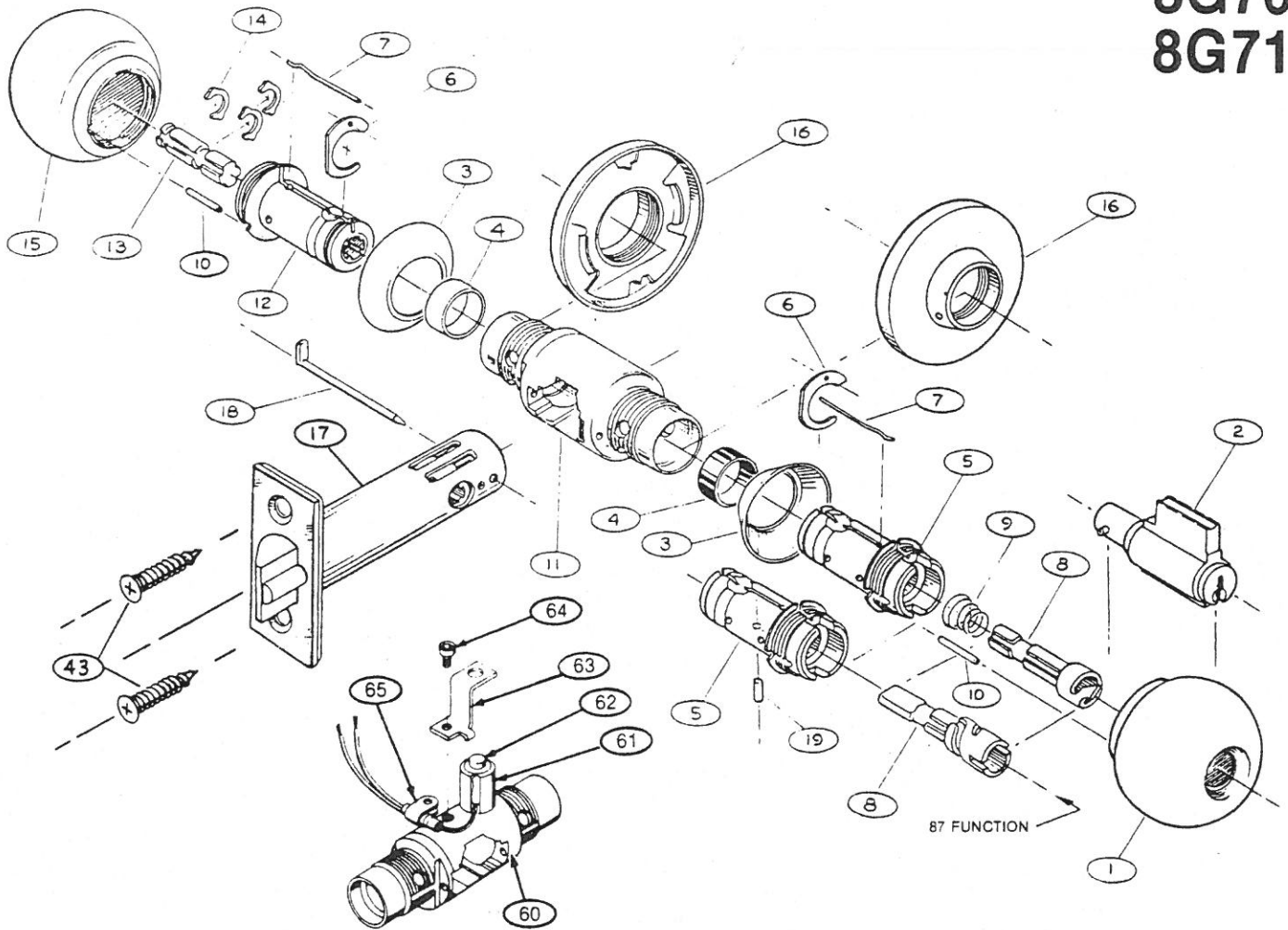
8G17
8G74
8G75



| ITEM No. | PART No. | DESCRIPTION | REQ |
|----------|----------|---|-----|
| 1 | 08-4321 | Knob, cylinder ("B" shown) | 2 |
| 2 | 13-2194 | Cylinder Assembly | 2 |
| 3 | 76-0027 | Knob Collar | 2 |
| 4 | 08-0365 | Nylon Ring, outside (black) | 1 |
| 4 | 08-0102 | Nylon Ring, inside (white) | 1 |
| 5 | 08-0100 | Shank, inside (17) & outside (17, 74, 75) | 2 |
| 5 | 08-0516 | Cylinder Shank, inside (74, 75) | 1 |
| 6 | 09-0019 | Knob Retainer | 2 |
| 7 | 06-0185 | Knob Retainer Spring | 2 |
| 8 | 08-2781 | Key Driver Assy., inside & outside (17) | 2 |
| 8 | 08-4697 | Key Driver Assy., inside (74, 75) | 1 |
| 8 | 08-4715 | Key Driver Assy., outside (74, 75) | 1 |
| 9 | 08-0407 | Cylinder Barrel Spring | 2 |
| 10 | 76-0563 | Knob Pin | 2 |
| 11 | 08-2679 | Aligning Tube Assembly (17) | 1 |
| 16 | 08-3312 | Rose ("O" shown) | 2 |
| 17 | 08-2510 | Guarded Latch Assembly (17) | 1 |
| 17 | 08-4838 | Guarded Latch Assembly (74, 75) | 1 |
| 18 | 06-0176 | Aligning Pin (17) | 1 |
| 18 | 08-0675 | Aligning Pin (74, 75) | 1 |

| ITEM No. | PART No. | DESCRIPTION | REQ |
|----------|----------|-------------------------------------|-----|
| 43 | 01-5000 | # 8-32 x 3/4" Machine Screw | 2 |
| 60 | 08-4732 | Scalp and Align Tube Assy. (74, 75) | 1 |
| 61 | 08-4687 | Solenoid Assy. (75) | 1 |
| 61 | 08-4688 | Solenoid Assy. (74) | 1 |
| 62 | 08-0508 | Solenoid Cap (74, 75) | 1 |
| 63 | 08-0509 | Solenoid Holder (74, 75) | 1 |
| 64 | 01-1178 | Clamp Screw (74, 75) | 1 |
| 65 | 01-0645 | Cable Clamp (74, 75) | 1 |

| Parts List | |
|------------|------|
| Page No. | Rev. |
| 8.7 | B |

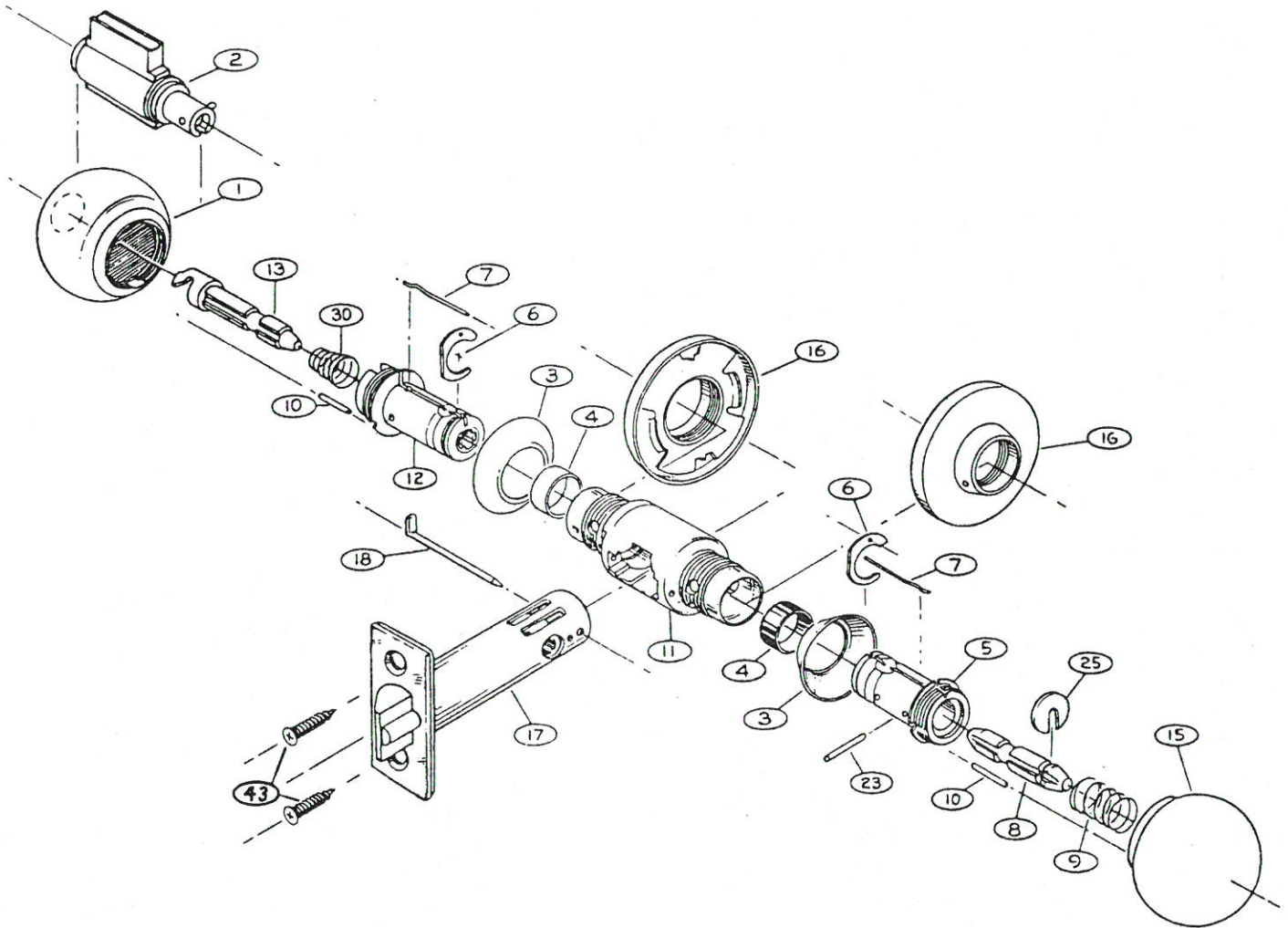


| ITEM No. | PART No. | DESCRIPTION | REQ |
|----------|----------|------------------------------------|-----|
| 1 | 08-4321 | Knob, cylinder ("B" shown) | 1 |
| 2 | 13-2194 | Cylinder Assembly | 1 |
| 3 | 76-0027 | Knob Collar | 2 |
| 4 | 08-0365 | Nylon Ring, outside (black) | 1 |
| 4 | 08-0102 | Nylon Ring, inside (white) | 1 |
| 5 | 08-0100 | Shank, outside | 1 |
| 5 | 08-0105 | Shank, outside (87) | 1 |
| 5 | 08-0516 | Cylinder Shank, outside (70, 71) | 1 |
| 6 | 09-0019 | Knob Retainer | 2 |
| 7 | 06-0185 | Knob Retainer Spring | 2 |
| 8 | 08-2831 | Locking Spindle Assy. | 1 |
| 8 | 08-2780 | Cam/Driver Assy. (87 Function) | 1 |
| 8 | 08-4697 | Key Driver Assy., outside (70, 71) | 1 |
| 9 | 08-0214 | Spiral Cam Spring (37) | 1 |
| 9 | 08-0407 | Cylinder Barrel Spring (70, 71) | 1 |
| 10 | 76-0563 | Knob Pin | 2 |
| 11 | 08-2670 | Aligning Tube Assy. (37, 87) | 1 |
| 12 | 08-0101 | Shank, inside | 1 |
| 13 | 08-0138 | Solid Driver, inside (37, 87) | 1 |
| 13 | 08-0515 | Solid Driver, inside (70, 71) | 1 |
| 14 | 08-0166 | Retainer Ring | 3 |
| 15 | 08-4320 | Knob, plain ("B" shown) | 1 |
| 16 | 08-3312 | Rose ("O" shown) | 2 |

| ITEM No. | PART No. | DESCRIPTION | REQ |
|----------|----------|--|-----|
| 17 | 08-2510 | Guarded Latch Assy. (37) | 1 |
| 17 | 08-2540 | Guarded Latch Assy. (87 Function) | 1 |
| 17 | 08-2517 | Latch Bolt Assy.— $\frac{3}{8}$ " throw (37) (41 prefix) | 1 |
| 17 | 08-4838 | Guarded Latch Assy. (70, 71) | 1 |
| 18 | 06-0176 | Aligning Pin (37, 87) | 1 |
| 18 | 08-0675 | Aligning Pin (70, 71) | 1 |
| 19 | 08-0200 | Hold Back Cam Pin (87) | 1 |
| 43 | 01-5000 | # 8-32 x $\frac{3}{8}$ " Machine Screw | 2 |
| 60 | 08-4733 | Scalp and Aligning Tube Assy. (70, 71) | 1 |
| 61 | 08-4687 | Solenoid Assy. (71) | 1 |
| 61 | 08-4688 | Solenoid Assy. (70) | 1 |
| 62 | 08-0508 | Solenoid Cap (70, 71) | 1 |
| 63 | 08-0509 | Solenoid Holder (70, 71) | 1 |
| 64 | 01-1178 | Clamp Screw # 8-32 x $\frac{3}{16}$ " (70, 71) | 1 |
| 65 | 01-0645 | Cable Clamp (70, 71) | 1 |

Parts List

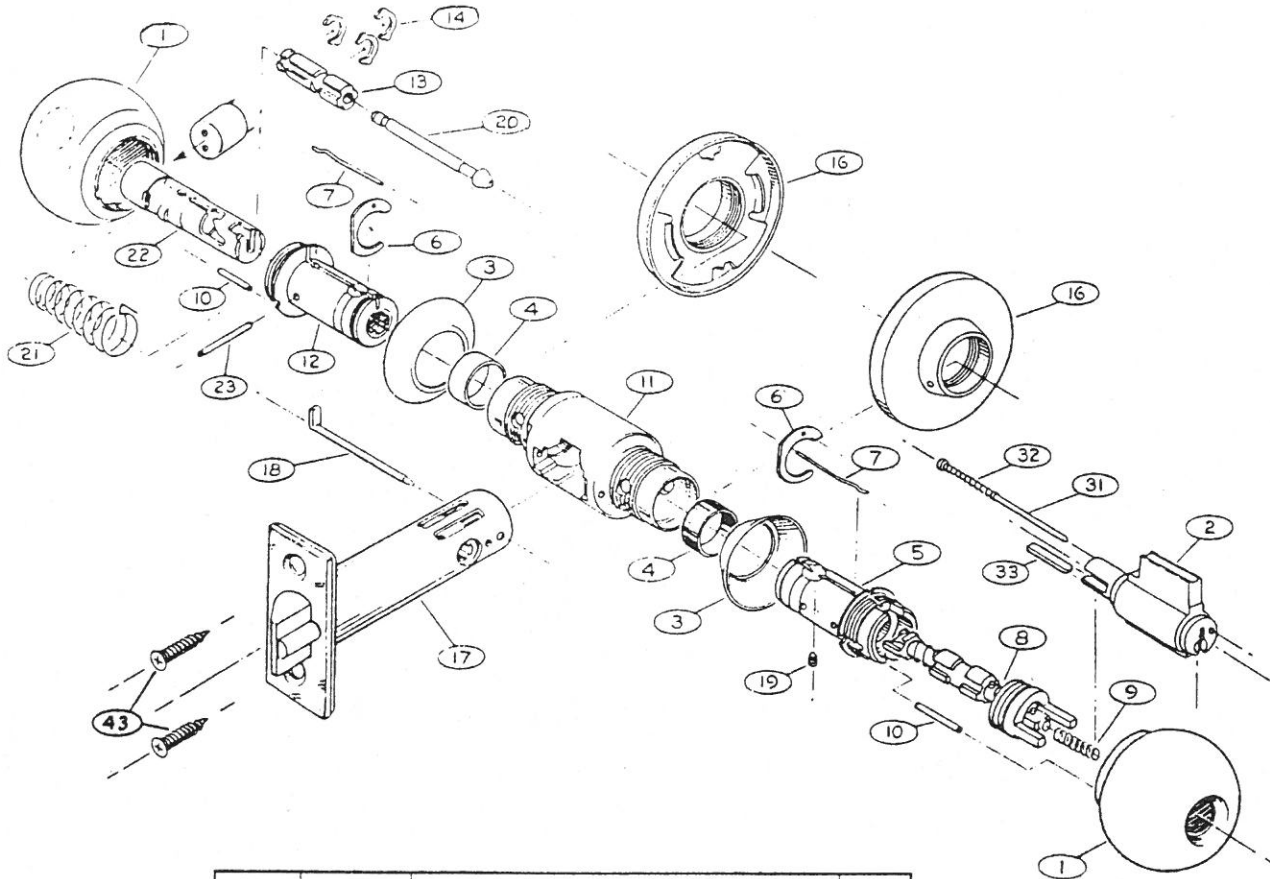
Page No. Rev.
8.8 B



| ITEM No. | PART No. | DESCRIPTION | REQ |
|----------|----------|-----------------------------|-----|
| 1 | 08-4321 | Knob, cylinder ("B" shown) | 1 |
| 2 | 13-2194 | Cylinder Assembly | 1 |
| 3 | 76-0027 | Knob Collar | 2 |
| 4 | 08-0365 | Nylon Ring, outside (black) | 1 |
| 4 | 08-0102 | Nylon Ring, inside (white) | 1 |
| 5 | 08-0101 | Shank, outside | 1 |
| 6 | 09-0019 | Knob Retainer | 2 |
| 7 | 06-0185 | Knob Retainer Spring | 2 |
| 8 | 08-0143 | Driver, Retracting | 1 |
| 9 | 09-0277 | Retracting Driver Spring | 1 |
| 10 | 76-0563 | Knob Pin | 2 |
| 11 | 08-2670 | Aligning Tube Assembly | 1 |
| 12 | 08-0100 | Shank, Inside | 1 |
| 13 | 08-2832 | Locking Spindle Assembly | 1 |
| 15 | 08-4320 | Knob, plain ("B" shown) | 1 |
| 16 | 08-3312 | Rose ("O" shown) | 2 |
| 17 | 08-2510 | Guarded Latch Assembly | 1 |
| 18 | 06-0176 | Aligning Pin | 1 |
| 23 | 06-0168 | Spirol Pin | 1 |
| 25 | 09-0003 | Retracting Driver Washer | 1 |
| 30 | 08-0214 | Spiral Cam Spring | 1 |
| 43 | 01-5000 | # 8-32 x 3/4" Machine Screw | 2 |

Parts List

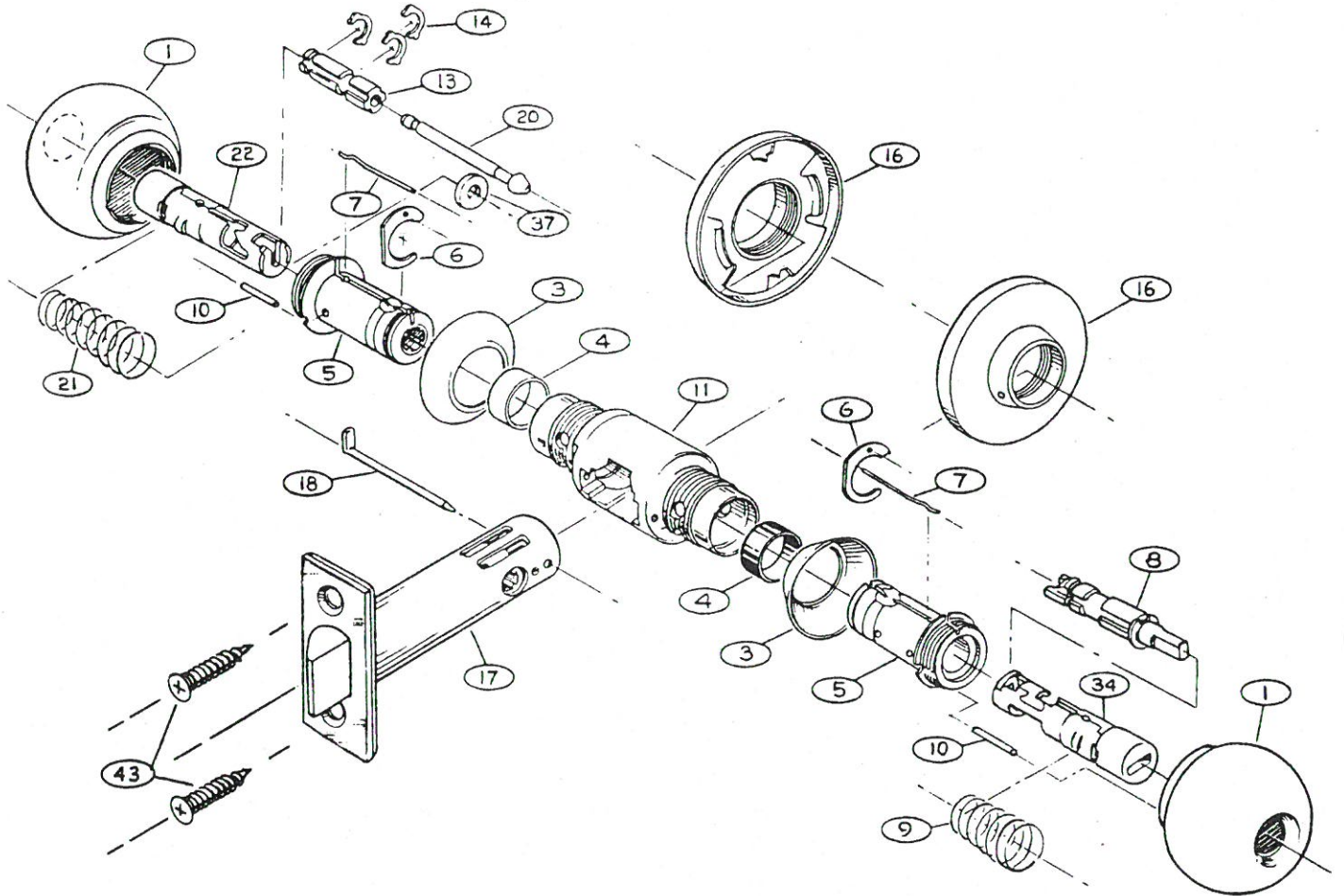
Page No. Rev.
8.9 B



| ITEM NO. | PART No. | DESCRIPTION | REQ |
|----------|----------|---|-----|
| 1 | 08-4321 | Knobs, cylinder & button knob ("B" shown) | 2 |
| 2 | 13-2195 | Cylinder Assembly | 1 |
| 3 | 76-0027 | Knob Collar | 2 |
| 4 | 08-0365 | Nylon Ring, outside (black) | 1 |
| 4 | 08-0102 | Nylon Ring, inside (white) | 1 |
| 5 | 08-0104 | Shank, outside | 1 |
| 6 | 09-0019 | Knob Retainer | 2 |
| 7 | 06-0185 | Knob Retainer Spring | 2 |
| 8 | 08-3366 | Driver Assembly | 1 |
| 9 | 08-0212 | Driver Spring | 1 |
| 10 | 76-0563 | Knob Pin | 2 |
| 11 | 08-2670 | Aligning Tube Assembly | 1 |
| 12 | 08-0101 | Shank, inside | 1 |
| 13 | 08-0137 | Hollow Driver, inside | 1 |
| 14 | 08-0166 | Retainer Ring | 3 |
| 16 | 08-3312 | Rose ("O" shown) | 2 |
| 17 | 08-2530 | Guarded Latch Assembly | 1 |
| 18 | 06-0176 | Aligning Pin | 1 |
| 19 | 01-1070 | Set Screw, # 4-40 x 1/8" | 1 |
| 20 | 08-0160 | Push Rod | 1 |
| 21 | 06-0363 | Button Tail Spring | 1 |
| 22 | 08-4329 | Motel Button and Tail Assy. | 1 |
| 23 | 06-0168 | Spirol Pin | 1 |
| 31 | 08-0183 | Visual Indicator | 1 |
| 32 | 08-0213 | Visual Indicator Spring | 1 |
| 33 | 08-0169 | Key Block-Out | 1 |
| 43 | 01-5000 | # 8-32 x 3/4" Machine Screw | 2 |

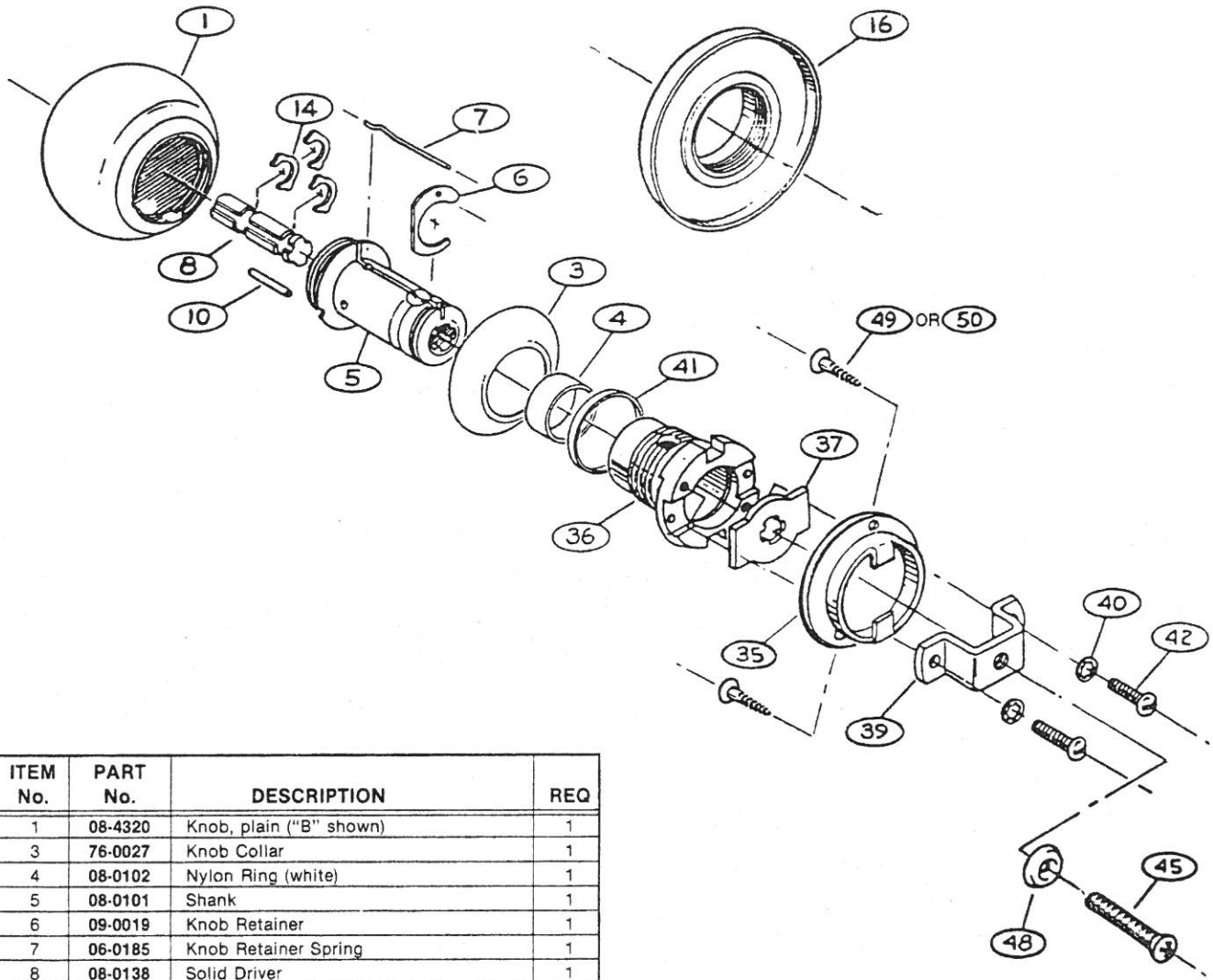
Parts List

Page No. Rev.
8.10 B

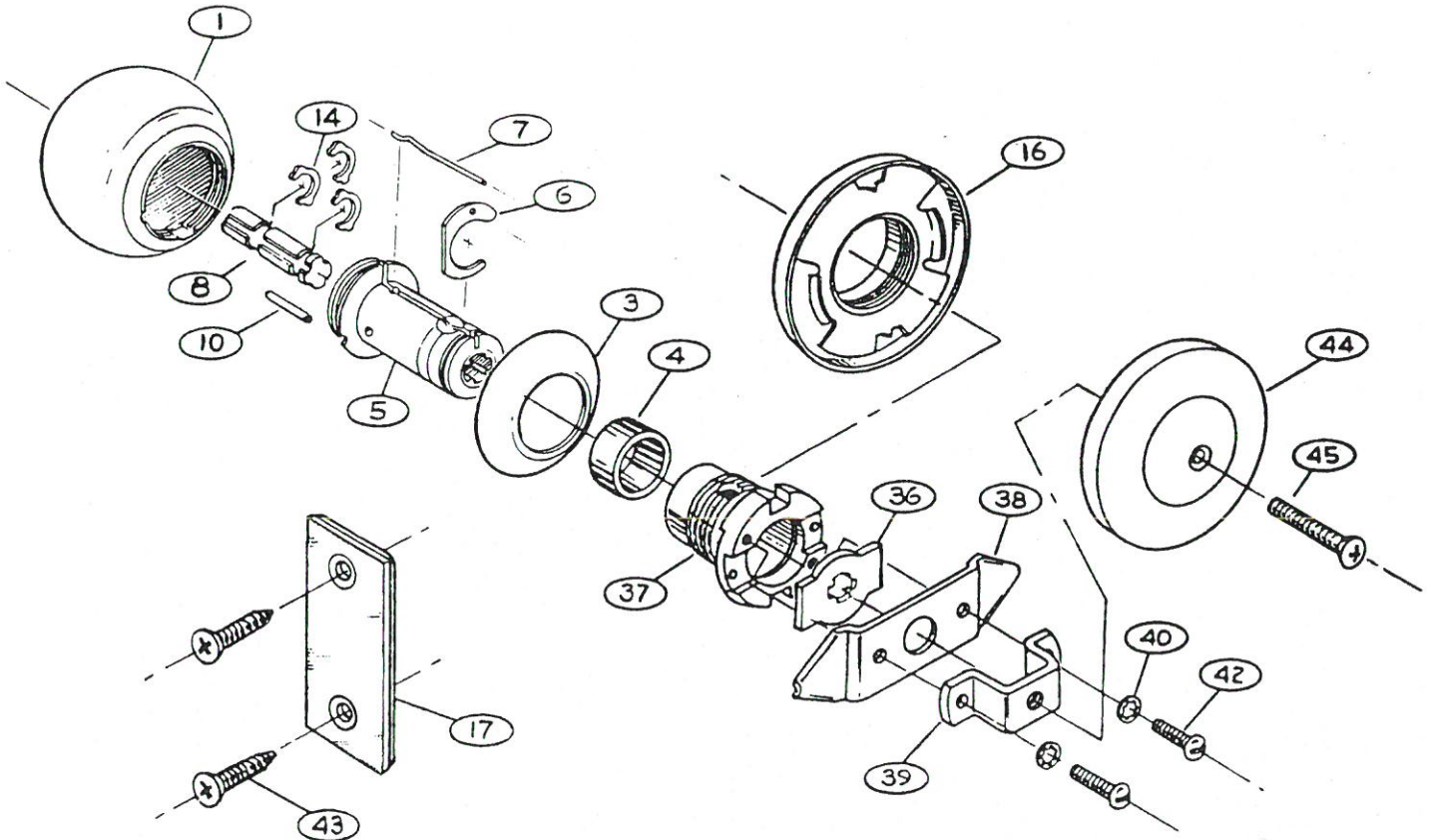


| ITEM No. | PART No. | DESCRIPTION | REQ |
|----------|----------|-------------------------------|-----|
| 1 | 08-4321 | Knob, button ("B" shown) | 2 |
| 3 | 76-0027 | Knob Collar | 2 |
| 4 | 08-0365 | Nylon Ring, outside (black) | 1 |
| 4 | 08-0102 | Nylon Ring, inside (white) | 1 |
| 5 | 08-0101 | Shank, inside & outside | 2 |
| 6 | 09-0019 | Knob Retainer | 2 |
| 7 | 06-0185 | Knob Retainer Spring | 2 |
| 8 | 08-4333 | Driver Assembly | 1 |
| 9 | 06-0364 | Emergency Tail Spring | 1 |
| 10 | 76-0563 | Knob Pin | 2 |
| 11 | 08-2670 | Aligning Tube Assembly | 1 |
| 13 | 08-0137 | Hollow Driver | 1 |
| 14 | 08-0166 | Retainer Ring | 3 |
| 16 | 08-3312 | Rose ("O" shown) | 2 |
| 17 | 08-2520 | Unguarded Latch Assy. | 1 |
| 18 | 06-0176 | Aligning Pin | 1 |
| 20 | 08-0158 | Push Rod | 1 |
| 21 | 06-0364 | Tail Spring | 1 |
| 22 | 08-4327 | Push Button & Tail Assembly | 1 |
| 34 | 08-4330 | Emergency Button & Tail Assy. | 1 |
| 37 | 06-0218 | Washer | 1 |
| 43 | 01-5000 | # 8-32 x 3/4" Machine Screw | 2 |

| Parts List | |
|------------|------|
| Page No. | Rev. |
| 8.11 | B |

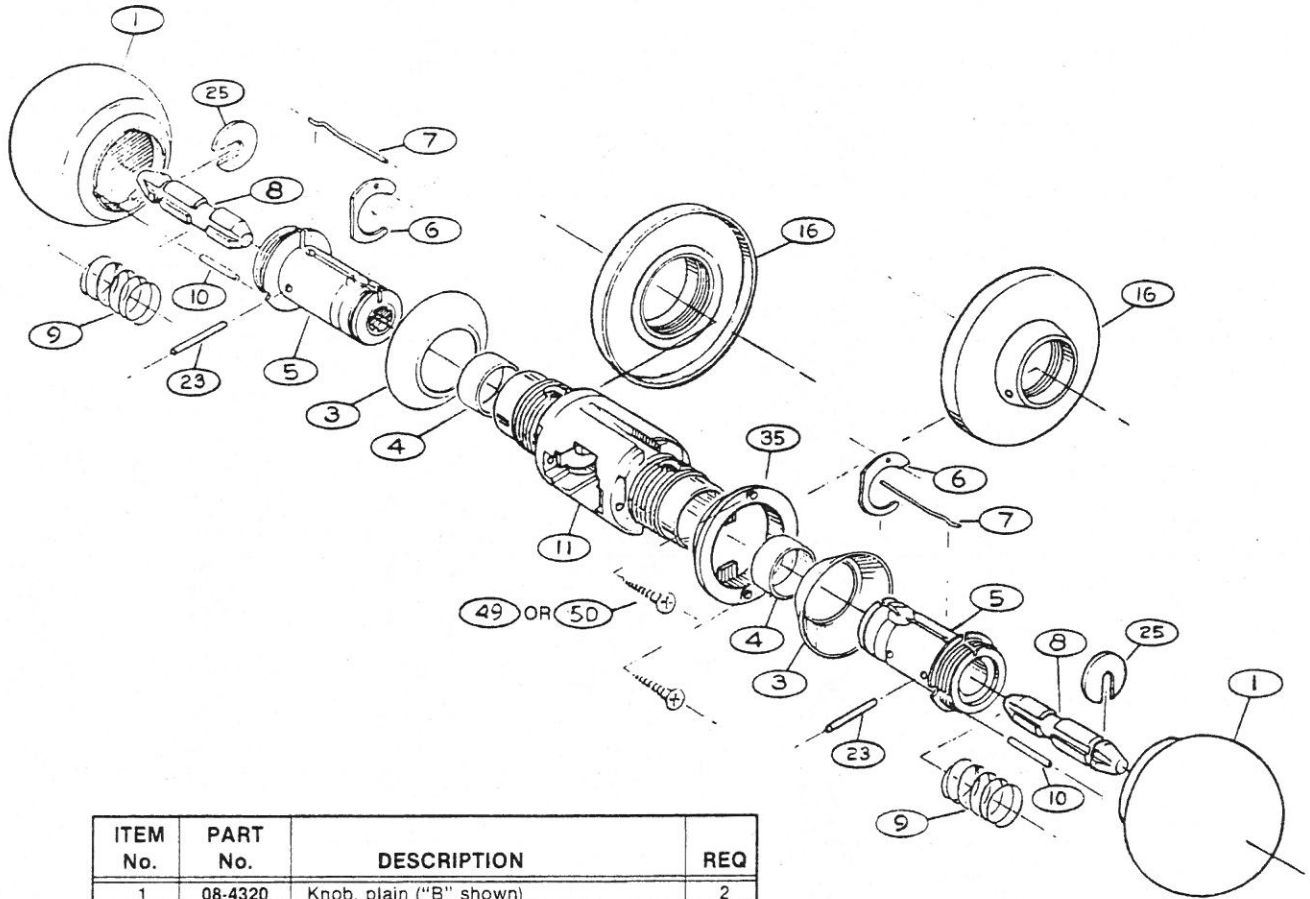


| ITEM No. | PART No. | DESCRIPTION | REQ |
|----------|----------|---|-----|
| 1 | 08-4320 | Knob, plain ("B" shown) | 1 |
| 3 | 76-0027 | Knob Collar | 1 |
| 4 | 08-0102 | Nylon Ring (white) | 1 |
| 5 | 08-0101 | Shank | 1 |
| 6 | 09-0019 | Knob Retainer | 1 |
| 7 | 06-0185 | Knob Retainer Spring | 1 |
| 8 | 08-0138 | Solid Driver | 1 |
| 10 | 76-0563 | Knob Pin | 1 |
| 14 | 08-0166 | Retainer Ring | 3 |
| 16 | 06-2426 | Rose & Support Assy. ("O" design) | 1 |
| 35 | 08-0134 | Retaining Flange | 1 |
| 36 | 08-2674 | Slotted Short Body Assembly | 1 |
| 37 | 08-0022 | Locking Plate | 1 |
| 39 | 08-0223 | Bracket | 1 |
| 40 | 08-0267 | Bracket Washer | 2 |
| 41 | 08-0121 | Sleeve | 1 |
| 42 | 01-3582 | Mach Screw # 6-32 x 3/8" Phil Hd | 2 |
| 45 | 01-2208 | Mach Screw 1/4-20 x 1 1/8" (for 1 3/4" doors) | 1 |
| 45 | 01-3237 | Mach Screw 1/4-20 x 1" (for 1 1/2" doors) | 1 |
| 48 | 01-0225 | Cup Washer | 1 |
| 49 | 01-2201 | Wood Screw # 4 x 1/2" | 2 |
| 50 | 01-3337 | Mach Screw # 4-40 x 1/2" | 2 |



| ITEM No. | PART No. | DESCRIPTION | REQ |
|----------|----------|---|-----|
| 1 | 08-4320 | Knob, plain ("B" shown) | 1 |
| 3 | 76-0027 | Knob Collar | 1 |
| 4 | 08-0365 | Nylon Ring (black) | 1 |
| 5 | 08-0101 | Shank | 1 |
| 6 | 09-0019 | Knob Retainer | 1 |
| 7 | 06-0185 | Knob Retainer Spring | 1 |
| 8 | 08-0138 | Solid Driver | 1 |
| 10 | 76-0563 | Knob Pin | 1 |
| 14 | 08-0166 | Retainer Ring | 3 |
| 16 | 08-3312 | Rose ("O" shown) | 1 |
| 17 | 08-2841 | Blank Front Assembly | 1 |
| 36 | 08-0022 | Locking Plate | 1 |
| 37 | 08-2674 | Slotted Short Body Assembly | 1 |
| 38 | 08-0174 | Fastening Bracket | 1 |
| 39 | 08-0223 | Bracket | 1 |
| 40 | 08-0267 | Bracket Washer | 2 |
| 42 | 01-3582 | Mach Screw # 6-32 x 3/8" Phil Hd | 2 |
| 43 | 01-5000 | # 8-32 x 3/4" Machine Screw | 2 |
| 44 | 08-3315 | Blank Rose Assy. ("O" shown) | 1 |
| 45 | 01-2208 | Mach Screw 1/4-20 x 1 3/8" (for 1 3/4" doors) | 1 |
| 45 | 01-3237 | Mach Screw 1/4-20 x 1" (for 1 3/8" doors) | 1 |

| Parts List | |
|------------|------|
| Page No. | Rev. |
| 8.13 | B |



| ITEM No. | PART No. | DESCRIPTION | REQ |
|----------|----------|----------------------------|-----|
| 1 | 08-4320 | Knob, plain ("B" shown) | 2 |
| 3 | 76-0027 | Knob Collar | 2 |
| 4 | 08-0102 | Nylon Ring (white) | 2 |
| 5 | 08-0101 | Shank, inside & outside | 2 |
| 6 | 09-0019 | Knob Retainer | 2 |
| 7 | 06-0185 | Knob Retainer Spring | 2 |
| 8 | 08-0143 | Retracting Driver | 2 |
| 9 | 09-0277 | Retracting Driver Spring | 2 |
| 10 | 76-0563 | Knob Pin | 2 |
| 11 | 08-2840 | Locking Body Assembly | 1 |
| 16 | 06-2426 | Rose & Support Assy. ("O") | 2 |
| 23 | 06-0168 | Spirol Pin | 2 |
| 25 | 09-0003 | Retracting Driver Washer | 2 |
| 35 | 08-0134 | Retaining Flange | 1 |
| 49 | 01-2201 | Wood Screw # 4 x 1/2" | 2 |
| 50 | 01-3337 | Mach Screw # 4-40 x 1/2" | 2 |

Parts List

Page No. Rev.
8.14 B



KNOB ASSEMBLIES

| | | KNOB DESIGN | | | | | |
|----------------------|-------------|-------------|-------------|-------------|-------------|-------------|---------|
| | | B | C | M | R | G | |
| LOCK FUNCTION | 04 | OS | 08-2023 | 08-2024 | 08-2026 | 08-2028 | 08-3891 |
| | | IS | 08-2273 | 08-2274 | 08-2276 | 08-2278 | 08-3977 |
| | 05 | OS | 08-2023 | 08-2024 | 08-2026 | 08-2028 | 08-3891 |
| | | IS | 08-2243 | 08-2244 | 08-2246 | 08-2248 | 08-3904 |
| | 13 | OS | 08-2003 | 08-2004 | 08-2006 | 08-2008 | 08-3973 |
| | | IS | 08-2273 | 08-2274 | 08-2276 | 08-2278 | 08-3977 |
| | 15 | OS | 08-2203 | 08-2204 | 08-2206 | 08-2208 | 08-3976 |
| | | IS | 08-2203 | 08-2204 | 08-2206 | 08-2208 | 08-3976 |
| | 15-3 | OS | — | — | — | — | — |
| | | IS | 08-2203 | 08-2204 | 08-2206 | 08-2208 | 08-3976 |
| | 16 | OS | 08-2023 | 08-2024 | 08-2026 | 08-2028 | 08-3891 |
| | | IS | 08-2213 | 08-2214 | 08-2216 | 08-2218 | 08-3902 |
| | 17 | OS | 08-2123 | 08-2124 | 08-2126 | 08-2128 | 08-3898 |
| | | IS | 08-2333 | 08-2334 | 08-2336 | 08-2338 | 08-3910 |
| | 24 | OS | 08-2023 | 08-2024 | 08-2026 | 08-2028 | 08-3891 |
| | | IS | 08-2243 | 08-2244 | 08-2246 | 08-2248 | 08-3904 |
| | 26 | OS | 08-2093 | 08-2094 | 08-2096 | 08-2098 | 08-4121 |
| | | IS | 08-2313 | 08-2314 | 08-2316 | 08-2318 | 08-4122 |
| | 30 | OS | 08-2033 | 08-2034 | 08-2036 | 08-2038 | 08-3892 |
| | | IS | 08-2223 | 08-2224 | 08-2226 | 08-2228 | 08-3903 |
| | 37 | OS | 08-2033 | 08-2034 | 08-2036 | 08-2038 | 08-3892 |
| | | IS | 08-2203 | 08-2204 | 08-2206 | 08-2208 | 08-3976 |
| | 44 | OS | 08-2023 | 08-2024 | 08-2026 | 08-2028 | 08-3891 |
| | | IS | 08-2263 | 08-2264 | 08-2266 | 08-2268 | 08-3906 |
| 47 | OS | 08-2003 | 08-2004 | 08-2006 | 08-2008 | 08-3973 | |
| | IS | 08-2213 | 08-2214 | 08-2216 | 08-2218 | 08-3902 | |
| 50 | OS | 08-3407 | 08-3408 | 08-3410 | 08-3412 | 08-4126 | |
| | IS | 08-2233 | 08-2234 | 08-2236 | 08-2238 | 08-3887 | |
| 54 | OS | 08-3374 | 08-3375 | 08-3377 | 08-3379 | 08-3936 | |
| | IS | 08-2253 | 08-2254 | 08-2256 | 08-2258 | 08-3905 | |
| 65 | OS | 08-2043 | 08-2044 | 08-2046 | 08-2048 | 08-3893 | |
| | IS | 08-2253 | 08-2254 | 08-2256 | 08-2258 | 08-3905 | |
| 87 | OS | 08-2113 | 08-2114 | 08-2116 | 08-2118 | 08-3897 | |
| | IS | 08-2203 | 08-2204 | 08-2206 | 08-2208 | 08-3976 | |
| 93 | | 08-2133 | 08-2134 | 08-2136 | 08-2138 | 08-3974 | |
| 93-2 | | 08-2133 | 08-2134 | 08-2136 | 08-2138 | 08-3974 | |
| 94 | | 08-2353 (2) | 08-2354 (2) | 08-2356 (2) | 08-2358 (2) | 08-3979 (2) | |

Parts List

Page No. Rev.
8.15 A



8 Line Electro-Mechanical Function Knob Assemblies

| | | B | C | M | R | G |
|-----------|----|----------|----------|----------|----------|----------|
| 70 | OS | 08-4700 | 08-4701 | 08-4703 | 08-4704 | 08-4702 |
| | IS | 08-4709 | 08-4710 | 08-4712 | 08-4713 | 08-4711 |
| 71 | OS | 08-4700 | 08-4701 | 08-4703 | 08-4704 | 08-4702 |
| | IS | 08-4709 | 08-4710 | 08-4712 | 08-4713 | 08-4711 |
| 74 | OS | 08-4718 | 08-4719 | 08-4721 | 08-4722 | 08-4720 |
| | IS | 08-4700 | 08-4701 | 08-4703 | 08-4704 | 08-4702 |
| 75 | OS | 08-4718 | 08-4719 | 08-4721 | 08-4722 | 08-4720 |
| | IS | 08-4700 | 08-4701 | 08-4703 | 08-4704 | 08-4702 |

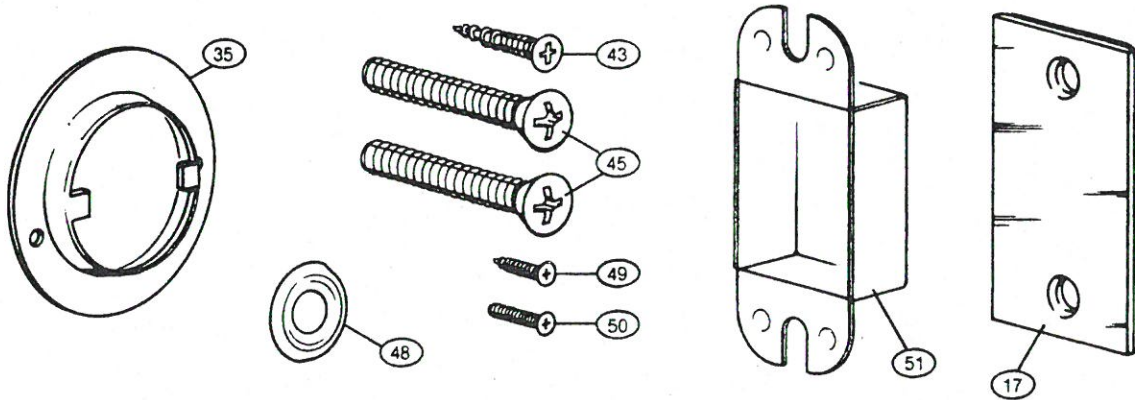
LOCK FUNCTION

| | |
|-------------------|------|
| Parts List | |
| Page No. | Rev. |
| 8.16 | A |

Function/Screw Pack Chart

Screw Pack Part No.

| | 8G04 | 8G05 | 8G13 | 8U15 | 8G15-3 | 8G16 | 8G17 | 8G24 | 8G26 | 8G30 | 8G37 | 8G44 | 8G47 | 8G50 | 8G54 | 8U65 | 8G87 | 8U93 | 8U93-2 | 8U94 |
|---------|------|------|------|------|--------|------|------|------|------|------|------|------|------|------|------|------|------|------|--------|------|
| 08-3788 | 1 | 1 | 1 | 1 | 1 | 1 | 1 | 1 | 1 | 1 | 1 | 1 | 1 | 1 | 1 | 1 | | | | |
| 08-2877 | | | | | | | | | | | | | | | | | | 1 | 1 | |
| 08-2879 | | | | | | | | | | | | | | | | | | | | 1 |
| 08-2842 | | | | | | | | | | | | | | | | | | | 1 | |



Screw Pack Items

Screw Pack Part No.

| ITEM No. | DESCRIPTION | 08-3788 | 08-2877 | 08-2879 | 08-2842 |
|----------|----------------------------------|---------|---------|---------|---------|
| 43 | #8-32 x 3/4" Machine Screw | 4 | | | 2 |
| 35 | Flange Retainer | | 1 | | |
| 48 | Thru Bolt Washer | | 1 | | |
| 49 | #4 x 1/2" Wood Screw | | 2 | 2 | |
| 50 | #4-40 x 1/2" Machine Screw | | 2 | 2 | |
| 51 | Strike Box | 1 | | | |
| 45 | 1/4" - 20 x 1 3/8" Machine Screw | | 1 | | |
| 45 | 1/4" - 20 x 1" Machine Screw | | 1 | | |
| 17 | Blank Front Assembly | | | | 1 |

Parts List

Page No. Rev.
8.17 B



PARTS LIST

FUNCTIONS

(Numbers in squares indicate quantity used per unit)

| PART No. | DESCRIPTION | 8G 04 | 8G 05 | 8G 13 | 8U 15 | 8G 15-3 | 8G 16 | 8G 17 | 8G 24 | 8G 26 | 8G 30 | 8G 37 | 8G 44 | 8G 47 | 8G 50 | 8G 54 | 8U 65 | 8G 87 | 8U 93 | 8U 93-2 | 8U 94 | 8G 70 | 8G 71 | 8G 74 | 8G 75 | |
|----------|--|---------|--------|-------|-------|---------|-------|-------|-------|-------|-------|-------|-------|-------|-------|-------|-------|-------|-------|---------|-------|-------|-------|-------|-------|---|
| | | 01-0225 | Washer | | | | | | | | | | | | | | | | | | | 1 | | | | |
| 01-0362 | Spirol Pin | | | | | | | | | | | | | | | 1 | | | | | | | | | | |
| 01-0645 | Cable Clamp | | | | | | | | | | | | | | | | | | | | | | 1 | 1 | 1 | 1 |
| 01-1018 | # 10-24 x 1/2" Ph. Hd. Mach. Screw | | | | | 1 | | | | | | | | | | | | | | | | | | | | |
| 01-1027 | # 10-24 x 3/8" Ph. Hd. Mach. Screw | | | | | 1 | | | | | | | | | | | | | | | | | | | | |
| 01-1070 | # 4-40 x 1/8" Set Screw | | | | | | | | | | | | | | 1 | | | | | | | | | | | |
| 01-1178 | # 8-32 x 3/16" Clamp Screw | | | | | | | | | | | | | | | | | | | | | | 1 | 1 | 1 | 1 |
| 01-2201 | # 4 x 1/2" Ph. Hd. Wood Screw | | | | | | | | | | | | | | | | | | 2 | | 2 | | | | | |
| 01-2208 | 1/4" - 20 x 1 3/8" Ph. Hd. Mach. Screw | | | | | | | | | | | | | | | | | | 1 | 1 | | | | | | |
| 01-3237 | 1/4" - 20 x 1" Ph. Hd. Mach. Screw | | | | | | | | | | | | | | | | | | 1 | 1 | | | | | | |
| 01-3337 | # 4-40 x 1/2" Ph. Hd. Mach. Screw | | | | | | | | | | | | | | | | | | 2 | | 2 | | | | | |
| 01-3582 | # 6-32 x 3/8" Ph. Hd. Mach. Screw | | | | | | | | | | | | | | | | | | | 2 | 2 | | | | | |
| 01-5000 | # 8-32 x 3/4" Ph. Hd. Comb. Screw | 4 | 4 | 4 | 4 | 4 | 4 | 4 | 4 | 4 | 4 | 4 | 4 | 4 | 4 | 4 | 4 | 4 | 4 | | 2 | | | | | |
| 06-0051 | Tap Plug | | | | | 1 | | | | | | | | | | | | | | | | | | | | |
| 06-0129 | Anchor Plate | | | | | 1 | | | | | | | | | | | | | | | | | | | | |
| 06-0168 | Spirol Pin | | 1 | 1 | | | | 1 | | | | | 1 | 1 | 1 | | | | | | | 2 | | | | |
| 06-0176 | Aligning Pin | 1 | 1 | 1 | 1 | 1 | 1 | 1 | 1 | 1 | 1 | 1 | 1 | 1 | 1 | 1 | 1 | 1 | 1 | | | | | | | |
| 06-0185 | Retainer Spring | 2 | 2 | 2 | 2 | 1 | 2 | 2 | 2 | 2 | 2 | 2 | 2 | 2 | 2 | 2 | 2 | 2 | 2 | 1 | 1 | 2 | 2 | 2 | 2 | 2 |
| 06-0218 | Washer | | | | | | | | | | | | | | | | 1 | 1 | | | | | | | | |
| 06-0363 | Tail Spring | | | | | | | | | | | | | | 1 | | | | | | | | | | | |
| 06-0364 | Tail Spring | 1 | | | | | | 1 | | | | | 1 | | | 1 | 2 | | | | | | | | | |
| 06-2426 | Rose & Support (O) | | | | | | | | | | | | | | | | | | | 1 | | 2 | | | | |
| 08-0022 | Locking Plate | | | | | | | | | | | | | | | | | | | 1 | 1 | | | | | |
| 08-0055 | Strike Box | 1 | 1 | 1 | 1 | 1 | 1 | 1 | 1 | 1 | 1 | 1 | 1 | 1 | 1 | 1 | 1 | 1 | 1 | | | | | | | |
| 08-0100 | Shank, outside | 1 | 1 | | | 2 | 2 | 1 | 2 | 2 | 1 | 1 | 1 | | | | | | | | | | | 1 | 1 | |
| 08-0101 | Shank | 1 | 1 | 2 | 2 | 1 | | 1 | | | 1 | 1 | 1 | 1 | 1 | 2 | 1 | 1 | 1 | 1 | 2 | 1 | 1 | | | |
| 08-0102 | Nylon Ring, white | 1 | 1 | 1 | 2 | 1 | 1 | 1 | 1 | 1 | 1 | 1 | 1 | 1 | 1 | 1 | 1 | 1 | 1 | | 2 | 1 | 1 | 1 | 1 | |
| 08-0104 | Shank | | | | | | | | | | | | | | 1 | | | | | | | | | | | |
| 08-0105 | Shank | | | | | | | | | | | | | | | | | | 1 | | | | | | | |
| 08-0121 | Sleeve | | | | | | | | | | | | | | | | | | | 1 | | | | | | |
| 08-0134 | Retaining Flange | | | | | | | | | | | | | | | | | | | | | 1 | | | | |
| 08-0137 | Hollow Driver | 1 | | | | | | 1 | | | | 1 | | 1 | 1 | 1 | | | | | | | | | | |
| 08-0138 | Solid Driver | | | 2 | 1 | | | | | | 1 | | | | | | | | 1 | 1 | 1 | | | | | |
| 08-0139 | Solid Driver | 1 | 1 | | | | | | | | | | | | | | | | | | | | | | | |
| 08-0143 | Retract. Driver | | | 1 | | | | | | | | | | 1 | | | | | | | | 2 | | | | |
| 08-0145 | Driver | | | | | | | | 1 | | | | | | | | | | | | | | | | | |
| 08-0158 | Push Rod | 1 | | | | | | 1 | | | | 1 | | | | 1 | 1 | | | | | | | | | |
| 08-0160 | Push Rod | | | | | | | | | | | | | | | 1 | | | | | | | | | | |
| 08-0166 | Retainer Ring | 3 | 3 | 3 | 6 | 3 | | 3 | | | 3 | 3 | | | 3 | 3 | 3 | 3 | 3 | 3 | 3 | 3 | 3 | | | |
| 08-0169 | Key Block-out | | | | | | | | | | | | | | 1 | | | | | | | | | | | |
| 08-0174 | Fastening Bracket | | | | | | | | | | | | | | | | | | | | 1 | | | | | |
| 08-0183 | Visual Indicator | | | | | | | | | | | | | | 1 | | | | | | | | | | | |
| 08-0200 | Cam Pin | | | | | | | | | | | | | | | | | | | 1 | | | | | | |
| 08-0212 | Driver Spring | | | | | | | | | | | | | | 1 | | | | | | | | | | | |
| 08-0213 | Visual Ind. Spring | | | | | | | | | | | | | | 1 | | | | | | | | | | | |



PARTS LIST

FUNCTIONS

(Numbers in squares indicate quantity used per unit)

| PART No. | DESCRIPTION | FUNCTIONS | | | | | | | | | | | | | | | | | | | | | | | | |
|----------|---------------------------------|-----------|-------|-------|-------|---------|-------|-------|-------|-------|-------|-------|-------|-------|-------|-------|-------|-------|-------|---------|-------|-------|-------|-------|-------|---|
| | | 8G 04 | 8G 05 | 8G 13 | 8U 15 | 8G 15-3 | 8G 16 | 8G 17 | 8G 24 | 8G 26 | 8G 30 | 8G 37 | 8G 44 | 8G 47 | 8G 50 | 8G 54 | 8U 65 | 8G 87 | 8U 93 | 8U 93-2 | 8U 94 | 8G 70 | 8G 71 | 8G 74 | 8G 75 | |
| 08-0214 | Spiral Cam Spring | | | | | 1 | | | | 2 | 1 | 1 | 1 | 1 | 1 | | | | | | | | | | | |
| 08-0223 | Bracket | | | | | | | | | | | | | | | | | | | 1 | 1 | | | | | |
| 08-0267 | Bracket Washer | | | | | | | | | | | | | | | | | | 2 | 2 | | | | | | |
| 08-0327 | Shank | | | | | | | | | | | | | | | 1 | | | | | | | | | | |
| 08-0365 | Nylon Ring, black | 1 | 1 | 1 | | | 1 | 1 | 1 | 1 | 1 | 1 | 1 | 1 | 1 | 1 | 1 | 1 | | | | | 1 | 1 | 1 | 1 |
| 08-0407 | Cylinder Spring | 1 | 1 | | | | 1 | 2 | 1 | | | | 1 | | | | | | | | | | 1 | 1 | 2 | 2 |
| 08-0408 | Cylinder Spring | | | | | | | | | 1 | | | | | | | | | | | | | | | | |
| 08-0508 | Solenoid Cap | | | | | | | | | | | | | | | | | | | | | | 1 | 1 | 1 | 1 |
| 08-0509 | Solenoid Holder | | | | | | | | | | | | | | | | | | | | | | 1 | 1 | 1 | 1 |
| 08-0515 | Solid Driver, inside | | | | | | | | | | | | | | | | | | | | | | 1 | 1 | | |
| 08-0516 | Cylinder Shank | | | | | | | | | | | | | | | | | | | | | | 1 | 1 | 1 | 1 |
| 08-0675 | Aligning Pin | | | | | | | | | | | | | | | | | | | | | | 1 | 1 | 1 | 1 |
| 08-2003 | Plain Knob Assy., out., (B) | | | 1 | | | | | | | | | | 1 | | | | | | | | | | | | |
| 08-2004 | Plain Knob Assy., out., (C) | | | 1 | | | | | | | | | | 1 | | | | | | | | | | | | |
| 08-2006 | Plain Knob Assy., out., (M) | | | 1 | | | | | | | | | | 1 | | | | | | | | | | | | |
| 08-2008 | Plain Knob Assy., out., (R) | | | 1 | | | | | | | | | | 1 | | | | | | | | | | | | |
| 08-2023 | Cylinder Knob Assy., out., (B) | 1 | 1 | | | | 1 | 1 | | | | | 1 | | | | | | | | | | | | | |
| 08-2024 | Cylinder Knob Assy., out., (C) | 1 | 1 | | | | 1 | 1 | | | | | 1 | | | | | | | | | | | | | |
| 08-2026 | Cylinder Knob Assy., out., (M) | 1 | 1 | | | | 1 | 1 | | | | | 1 | | | | | | | | | | | | | |
| 08-2028 | Cylinder Knob Assy., out., (R) | 1 | 1 | | | | 1 | 1 | | | | | 1 | | | | | | | | | | | | | |
| 08-2033 | Cylinder Knob Assy., out., (B) | | | | | | | | | | | 1 | 1 | | | | | | | | | | | | | |
| 08-2034 | Cylinder Knob Assy., out., (C) | | | | | | | | | | | 1 | 1 | | | | | | | | | | | | | |
| 08-2036 | Cylinder Knob Assy., out., (M) | | | | | | | | | | | 1 | 1 | | | | | | | | | | | | | |
| 08-2038 | Cylinder Knob Assy., out., (R) | | | | | | | | | | | 1 | 1 | | | | | | | | | | | | | |
| 08-2043 | Emergency Knob Assy., out., (B) | | | | | | | | | | | | | | | | | | | | | | | | | |
| 08-2044 | Emergency Knob Assy., out., (C) | | | | | | | | | | | | | | | | | | | | | | | | | |
| 08-2046 | Emergency Knob Assy., out., (M) | | | | | | | | | | | | | | | | | | | | | | | | | |
| 08-2048 | Emergency Knob Assy., out., (R) | | | | | | | | | | | | | | | | | | | | | | | | | |
| 08-2093 | Cylinder Knob Assy., out., (B) | | | | | | | | | | | | | | | | | | | | | | | | | |
| 08-2094 | Cylinder Knob Assy., out., (C) | | | | | | | | | | | | | | | | | | | | | | | | | |
| 08-2096 | Cylinder Knob Assy., out., (M) | | | | | | | | | | | | | | | | | | | | | | | | | |
| 08-2098 | Cylinder Knob Assy., out., (R) | | | | | | | | | | | | | | | | | | | | | | | | | |
| 08-2113 | Cylinder Knob Assy., out., (B) | | | | | | | | | | | | | | | | | | | | | | | | | |
| 08-2114 | Cylinder Knob Assy., out., (C) | | | | | | | | | | | | | | | | | | | | | | | | | |
| 08-2116 | Cylinder Knob Assy., out., (M) | | | | | | | | | | | | | | | | | | | | | | | | | |
| 08-2118 | Cylinder Knob Assy., out., (R) | | | | | | | | | | | | | | | | | | | | | | | | | |
| 08-2123 | Cylinder Knob Assy., out., (B) | | | | | | | | | | | | | | | | | | | | | | | | | |
| 08-2124 | Cylinder Knob Assy., out., (C) | | | | | | | | | | | | | | | | | | | | | | | | | |
| 08-2126 | Cylinder Knob Assy., out., (M) | | | | | | | | | | | | | | | | | | | | | | | | | |
| 08-2128 | Cylinder Knob Assy., out., (R) | | | | | | | | | | | | | | | | | | | | | | | | | |
| 08-2133 | Plain Knob Assy., out., (B) | | | | | | | | | | | | | | | | | | | | | | | | | |
| 08-2134 | Plain Knob Assy., out., (C) | | | | | | | | | | | | | | | | | | | | | | | | | |
| 08-2136 | Plain Knob Assy., out., (M) | | | | | | | | | | | | | | | | | | | | | | | | | |
| 08-2138 | Plain Knob Assy., out., (R) | | | | | | | | | | | | | | | | | | | | | | | | | |
| 08-2203 | Plain Knob Assy., in/out., (B) | | | | | 2 | 1 | | | | | | 1 | | | | | | | | | | | | | |



PARTS LIST

FUNCTIONS

(Numbers in squares indicate quantity used per unit)

| PARTS NO. | DESCRIPTION | 8G 04 | 8G 05 | 8G 13 | 8U 15 | 8G 15-3 | 8G 16 | 8G 17 | 8G 24 | 8G 26 | 8G 30 | 8G 37 | 8G 44 | 8G 47 | 8G 50 | 8G 54 | 8U 65 | 8G 87 | 8U 93 | 8U 93-2 | 8U 94 | 8G 70 | 8G 71 | 8G 74 | 8G 75 | |
|-----------|---------------------------------------|---------|--------------------------------|-------|-------|---------|-------|-------|-------|-------|-------|-------|-------|-------|-------|-------|-------|-------|-------|---------|-------|-------|-------|-------|-------|--|
| | | 08-2204 | Plain Knob Assy., in/out., (C) | | | 2 | 1 | | | | | | | 1 | | | | | | 1 | | | | | | |
| 08-2206 | Plain Knob Assy., in/out., (M) | | | 2 | 1 | | | | | | | 1 | | | | | | 1 | | | | | | | | |
| 08-2208 | Plain Knob Assy., in., (R) | | | 1 | 1 | | | | | | | 1 | | | | | | 1 | | | | | | | | |
| 08-2208 | Plain Knob Assy., out., (R) | | | 1 | | | | | | | | | | | | | | | | | | | | | | |
| 08-2213 | Cylinder Knob Assy., in., (B) | | | | | 1 | | | | | | | 1 | | | | | | | | | | | | | |
| 08-2214 | Cylinder Knob Assy., in., (C) | | | | | 1 | | | | | | | 1 | | | | | | | | | | | | | |
| 08-2216 | Cylinder Knob Assy., in., (M) | | | | | 1 | | | | | | | 1 | | | | | | | | | | | | | |
| 08-2218 | Cylinder Knob Assy., in., (R) | | | | | 1 | | | | | | | 1 | | | | | | | | | | | | | |
| 08-2223 | Cylinder Knob Assy., in., (B) | | | | | | | | | | 1 | | | | | | | | | | | | | | | |
| 08-2224 | Cylinder Knob Assy., in., (C) | | | | | | | | | | 1 | | | | | | | | | | | | | | | |
| 08-2226 | Cylinder Knob Assy., in., (M) | | | | | | | | | | 1 | | | | | | | | | | | | | | | |
| 08-2228 | Cylinder Knob Assy., in., (R) | | | | | | | | | | 1 | | | | | | | | | | | | | | | |
| 08-2233 | Push Button Knob Assy., in., (B) | | | | | | | | | | | | | | 1 | | | | | | | | | | | |
| 08-2234 | Push Button Knob Assy., in., (C) | | | | | | | | | | | | | | 1 | | | | | | | | | | | |
| 08-2236 | Push Button Knob Assy., in., (M) | | | | | | | | | | | | | | 1 | | | | | | | | | | | |
| 08-2238 | Push Button Knob Assy., in., (R) | | | | | | | | | | | | | | 1 | | | | | | | | | | | |
| 08-2243 | Turn Button Knob Assy., in., (B) | 1 | | | | | | | 1 | | | | | | | | | | | | | | | | | |
| 08-2244 | Turn Button Knob Assy., in., (C) | 1 | | | | | | | 1 | | | | | | | | | | | | | | | | | |
| 08-2246 | Turn Button Knob Assy., in., (M) | 1 | | | | | | | 1 | | | | | | | | | | | | | | | | | |
| 08-2248 | Turn Button Knob Assy., in., (R) | 1 | | | | | | | 1 | | | | | | | | | | | | | | | | | |
| 08-2253 | Push Button Knob Assy., in., (B) | | | | | | | | | | | | | | | 1 | 1 | | | | | | | | | |
| 08-2254 | Push Button Knob Assy., in., (C) | | | | | | | | | | | | | | | 1 | 1 | | | | | | | | | |
| 08-2256 | Push Button Knob Assy., in., (M) | | | | | | | | | | | | | | | 1 | 1 | | | | | | | | | |
| 08-2258 | Push Button Knob Assy., in., (R) | | | | | | | | | | | | | | | 1 | 1 | | | | | | | | | |
| 08-2263 | Universal Button Knob Assy., in., (B) | | | | | | | | | | | | 1 | | | | | | | | | | | | | |
| 08-2264 | Universal Button Knob Assy., in., (C) | | | | | | | | | | | | 1 | | | | | | | | | | | | | |
| 08-2266 | Universal Button Knob Assy., in., (M) | | | | | | | | | | | | 1 | | | | | | | | | | | | | |
| 08-2268 | Universal Button Knob Assy., in., (R) | | | | | | | | | | | | 1 | | | | | | | | | | | | | |
| 08-2273 | Plain Knob Assy., in., (B) | 1 | 1 | | | | | | | | | | | | | | | | | | | | | | | |
| 08-2274 | Plain Knob Assy., in., (C) | 1 | 1 | | | | | | | | | | | | | | | | | | | | | | | |
| 08-2276 | Plain Knob Assy., in., (M) | 1 | 1 | | | | | | | | | | | | | | | | | | | | | | | |
| 08-2278 | Plain Knob Assy., in., (R) | 1 | 1 | | | | | | | | | | | | | | | | | | | | | | | |
| 08-2313 | Cylinder Knob Assy., in., (B) | | | | | | | | | | 1 | | | | | | | | | | | | | | | |
| 08-2314 | Cylinder Knob Assy., in., (C) | | | | | | | | | | 1 | | | | | | | | | | | | | | | |
| 08-2316 | Cylinder Knob Assy., in., (M) | | | | | | | | | | 1 | | | | | | | | | | | | | | | |
| 08-2318 | Cylinder Knob Assy., in., (R) | | | | | | | | | | 1 | | | | | | | | | | | | | | | |
| 08-2333 | Cylinder Knob Assy., in., (B) | | | | | | 1 | | | | | | | | | | | | | | | | | | | |
| 08-2334 | Cylinder Knob Assy., in., (C) | | | | | | 1 | | | | | | | | | | | | | | | | | | | |
| 08-2336 | Cylinder Knob Assy., in., (M) | | | | | | 1 | | | | | | | | | | | | | | | | | | | |
| 08-2338 | Cylinder Knob Assy., in., (R) | | | | | | 1 | | | | | | | | | | | | | | | | | | | |
| 08-2353 | Plain Knob Assy., in./out., (B) | | | | | | | | | | | | | | | | | | | | | 2 | | | | |
| 08-2354 | Plain Knob Assy., in./out., (C) | | | | | | | | | | | | | | | | | | | | | 2 | | | | |
| 08-2356 | Plain Knob Assy., in./out., (M) | | | | | | | | | | | | | | | | | | | | | 2 | | | | |
| 08-2358 | Plain Knob Assy., in./out., (R) | | | | | | | | | | | | | | | | | | | | | 2 | | | | |
| 08-2500 | Unguarded Latch | | | 1 | | | | | | | | | | | | | | | | | | | | | | |



PARTS LIST

FUNCTIONS

(Numbers in squares indicate quantity used per unit)

| PART No. | DESCRIPTION | 8G 04 | 8G 05 | 8G 13 | 8U 15 | 8G 15-3 | 8G 16 | 8G 17 | 8G 24 | 8G 26 | 8G 30 | 8G 37 | 8G 44 | 8G 47 | 8G 50 | 8G 54 | 8U 65 | 8G 87 | 8U 93 | 8U 93-2 | 8U 94 | 8G 70 | 8G 71 | 8G 74 | 8G 75 |
|----------|----------------------------------|---------|---------------|-------|-------|---------|-------|-------|-------|-------|-------|-------|-------|-------|-------|-------|-------|-------|-------|---------|-------|-------|-------|-------|-------|
| | | 08-2510 | Guarded Latch | 1 | 1 | 1 | | 1 | 1 | 1 | | 1 | 1 | 1 | | 1 | | | | | | | | | |
| 08-2517 | Latchbolt 3/4" throw | 1 | 1 | | 1 | | 1 | | | 1 | | 1 | | | | | | | | | | | | | |
| 08-2520 | Unguarded Latch | | | | | | | | | | | | | | | | 1 | | | | | | | | |
| 08-2530 | Guarded Latch | | | | | | | | | | | | | | 1 | | | | | | | | | | |
| 08-2540 | Guarded Latch | | | | | | | | | | | | | | | | | 1 | | | | | | | |
| 08-2670 | Aligning Tube Assy. | 1 | 1 | 1 | | | 1 | | 1 | | | 1 | 1 | 1 | 1 | 1 | 1 | 1 | | | | | | | |
| 08-2671 | Aligning Tube Assy. | | | | 1 | | | | | | | | | | | | | | | | | | | | |
| 08-2673 | Aligning Tube Assy. | | | | | | | | | 1 | 1 | | | | | | | | | | | | | | |
| 08-2674 | Short Body Assy. | | | | | | | | | | | | | | | | | | 1 | 1 | | | | | |
| 08-2679 | Aligning Tube Assy. | | | | | | | 1 | | | | | | | | | | | | | | | | | |
| 08-2777 | Driver Assy. | 1 | 1 | | | | 1 | | 1 | | | | 1 | | | | | | | | | | | | |
| 08-2780 | Cam Driver Assy. | | | | | | | | | | | | | | | | | 1 | | | | | | | |
| 08-2781 | Key Driver | | | | | | | 2 | | | | | | | | | | | | | | | | | |
| 08-2782 | Driver Assy. | | | | | | | | | | | | | | | 1 | | | | | | | | | |
| 08-2831 | Locking Spindle | | | | | | | | | 2 | 1 | | | | | | | | | | | | | | |
| 08-2832 | Locking Spindle | | | | | | 1 | | | | | | | 1 | | | | | | | | | | | |
| 08-2840 | Locking Body | | | | | | | | | | | | | | | | | | | | | | 1 | | |
| 08-2841 | Blank Front | | | | | | | | | | | | | | | | | | | | | 1 | | | |
| 08-2877 | Screw Pack | | | | | | | | | | | | | | | | | | 1 | | | | | | |
| 08-2879 | Screw Pack | | | | | | | | | | | | | | | | | | | | | | 1 | | |
| 08-3312 | Rose "O" Design | 2 | 2 | 2 | 2 | 2 | 2 | 2 | 2 | 2 | 2 | 2 | 2 | 2 | 2 | 2 | 2 | 2 | 2 | 1 | | 2 | 2 | 2 | 2 |
| 08-3315 | Blank Rose "O" | | | | | | | | | | | | | | | | | | | | 1 | | | | |
| 08-3364 | Guarded Latch | | | | | | | | | | | | 1 | | | 1 | | | | | | | | | |
| 08-3366 | Driver Assy. | | | | | | | | | | | | | | 1 | | | | | | | | | | |
| 08-3374 | Cylinder Knob Assy., out., (B) | | | | | | | | | | | | | | | 1 | | | | | | | | | |
| 08-3375 | Cylinder Knob Assy., out., (C) | | | | | | | | | | | | | | | 1 | | | | | | | | | |
| 08-3377 | Cylinder Knob Assy., out., (M) | | | | | | | | | | | | | | | 1 | | | | | | | | | |
| 08-3379 | Cylinder Knob Assy., out., (R) | | | | | | | | | | | | | | | 1 | | | | | | | | | |
| 08-3407 | Cylinder Knob Assy., out., (B) | | | | | | | | | | | | | | | 1 | | | | | | | | | |
| 08-3408 | Cylinder Knob Assy., out., (C) | | | | | | | | | | | | | | | 1 | | | | | | | | | |
| 08-3410 | Cylinder Knob Assy., out., (M) | | | | | | | | | | | | | | | 1 | | | | | | | | | |
| 08-3412 | Cylinder Knob Assy., out., (R) | | | | | | | | | | | | | | | 1 | | | | | | | | | |
| 08-3416 | Guarded Latch | | | | | | | 1 | | | | | | | | | | | | | | | | | |
| 08-3788 | Screw Pack | 1 | 1 | 1 | 1 | 1 | 1 | 1 | 1 | 1 | 1 | 1 | 1 | 1 | 1 | 1 | 1 | 1 | | | | | | | |
| 08-3887 | Push Button Knob Assy., in., (R) | | | | | | | | | | | | | | | 1 | | | | | | | | | |
| 08-3891 | Cylinder Knob Assy., out., (G) | 1 | 1 | | | | 1 | | 1 | | | | | 1 | | | | | | | | | | | |
| 08-3892 | Cylinder Knob Assy., out., (G) | | | | | | | | | | 1 | 1 | | | | | | | | | | | | | |
| 08-3893 | Emergency Knob Assy., out., (G) | | | | | | | | | | | | | | | | | 1 | | | | | | | |
| 08-3897 | Cylinder Knob Assy., out., (G) | | | | | | | | | | | | | | | | | | 1 | | | | | | |
| 08-3898 | Cylinder Knob Assy., out., (G) | | | | | | | 1 | | | | | | | | | | | | | | | | | |
| 08-3902 | Cylinder Knob Assy., in., (G) | | | | | | | 1 | | | | | | | 1 | | | | | | | | | | |
| 08-3903 | Cylinder Knob Assy., in., (G) | | | | | | | | | | 1 | | | | | | | | | | | | | | |
| 08-3904 | Turn Button Knob Assy., in., (G) | | 1 | | | | | | | 1 | | | | | | | | | | | | | | | |
| 08-3905 | Push Button Knob Assy., in., (G) | | | | | | | | | | | | | | | | 1 | 1 | | | | | | | |
| 08-3906 | Universal Knob Assy., in., (G) | | | | | | | | | | | | | 1 | | | | | | | | | | | |



PARTS LIST

FUNCTIONS

(Numbers in squares indicate quantity used per unit)

| PART No. | DESCRIPTION | FUNCTIONS | | | | | | | | | | | | | | | | | | | | | | | | |
|----------|------------------------------------|-----------|-------|-------|-------|---------|-------|-------|-------|-------|-------|-------|-------|-------|-------|-------|-------|-------|-------|---------|-------|-------|-------|-------|-------|---|
| | | 8G 04 | 8G 05 | 8G 13 | 8U 15 | 8G 15-3 | 8G 16 | 8G 17 | 8G 24 | 8G 26 | 8G 30 | 8G 37 | 8G 44 | 8G 47 | 8G 50 | 8G 54 | 8U 65 | 8G 87 | 8U 93 | 8U 93-2 | 8U 94 | 8G 70 | 8G 71 | 8G 74 | 8G 75 | |
| 08-3910 | Cylinder Knob Assy., in., (G) | | | | | | 1 | | | | | | | | | | | | | | | | | | | |
| 08-3936 | Cylinder Knob Assy., out., (G) | | | | | | | | | | | | | | 1 | | | | | | | | | | | |
| 08-3973 | Plain Knob Assy., out., (G) | | | 1 | | | | | | | | 1 | | | | | | | | | | | | | | |
| 08-3974 | Plain Knob Assy., out., (G) | | | | | | | | | | | | | | | | | | 1 | 1 | | | | | | |
| 08-3976 | Plain Knob Assy., in., (G) | | | | 1 | 1 | | | | | 1 | | | | | | | 1 | | | | | | | | |
| 08-3976 | Plain Knob Assy., out., (G) | | | | 1 | | | | | | | | | | | | | | | | | | | | | |
| 08-3977 | Plain Knob Assy., in., (G) | 1 | | 1 | | | | | | | | | | | | | | | | | | | | | | |
| 08-3979 | Plain Knob Assy., in./out., (G) | | | | | | | | | | | | | | | | | | | | | | | | | |
| 08-4082 | Locking Driver | | | | | | | | | | | | | | | | | | | | | | 2 | | | |
| 08-4121 | Cylinder Knob Assy., out., (G) | | | | | | | | | 1 | | | | | | | | | | | | | | | | |
| 08-4122 | Cylinder Knob Assy., in., (G) | | | | | | | | | 1 | | | | | | | | | | | | | | | | |
| 08-4126 | Cylinder Knob Assy., out., (G) | | | | | | | | | 1 | | | | | | | | | | | | | | | | |
| 08-4320 | Plain Knob "B" | 1 | | 2 | 2 | 1 | | | | | | 1 | 1 | | | | | 1 | 1 | 1 | 2 | 1 | 1 | | | |
| 08-4321 | Cylinder Knob "B" | 1 | 2 | | | | 2 | 2 | 2 | 2 | 2 | 1 | 2 | 1 | 2 | 2 | 2 | 1 | | | | | 1 | 1 | 2 | 2 |
| 08-4324 | Aligning Tube Assy. | | | | | 1 | | | | | | | | | | | | | | | | | | | | |
| 08-4326 | Turn Button & Tail | 1 | | | | | | | 1 | | | | | | | | | | | | | | | | | |
| 08-4327 | Push Button & Tail | | | | | | | | | | | | | | | 1 | 1 | | | | | | | | | |
| 08-4328 | Univ Button & Tail | | | | | | | | | | | 1 | | | | | | | | | | | | | | |
| 08-4329 | Hotel Button & Tail | | | | | | | | | | | | | | 1 | | | | | | | | | | | |
| 08-4330 | Emerg Button & Tail | | | | | | | | | | | | | | | | 1 | | | | | | | | | |
| 08-4333 | Driver Assy. | | | | | | | | | | | | | | | | 1 | | | | | | | | | |
| 08-4455 | Aligning Tube Assy. | | | | | 1 | | | | | | | | | | | | | | | | | | | | |
| 08-4687 | Solenoid Assy. | | | | | | | | | | | | | | | | | | | | | | 1 | 1 | 1 | 1 |
| 08-4688 | Solenoid Assy. | | | | | | | | | | | | | | | | | | | | | | 1 | 1 | | |
| 08-4697 | Key Driver Assy. | | | | | | | | | | | | | | | | | | | | | | 1 | 1 | 1 | 1 |
| 08-4700 | Cylinder Knob Assy., out./in., (B) | | | | | | | | | | | | | | | | | | | | | | 1 | 1 | 1 | 1 |
| 08-4701 | Cylinder Knob Assy., out./in., (C) | | | | | | | | | | | | | | | | | | | | | | 1 | 1 | 1 | 1 |
| 08-4702 | Cylinder Knob Assy., out., (G) | | | | | | | | | | | | | | | | | | | | | | 1 | 1 | | |
| 08-4702 | Cylinder Knob Assy., in., (G) | | | | | | | | | | | | | | | | | | | | | | | 1 | 1 | |
| 08-4703 | Cylinder Knob Assy., out./in., (M) | | | | | | | | | | | | | | | | | | | | | | 1 | 1 | 1 | 1 |
| 08-4704 | Cylinder Knob Assy., out., (R) | | | | | | | | | | | | | | | | | | | | | | 1 | 1 | | |
| 08-4704 | Cylinder Knob Assy., in., (R) | | | | | | | | | | | | | | | | | | | | | | | 1 | 1 | |
| 08-4709 | Plain Knob Assy., in., (B) | | | | | | | | | | | | | | | | | | | | | | 1 | 1 | | |
| 08-4710 | Plain Knob Assy., in., (C) | | | | | | | | | | | | | | | | | | | | | | 1 | 1 | | |
| 08-4711 | Plain Knob Assy., in., (G) | | | | | | | | | | | | | | | | | | | | | | 1 | 1 | | |
| 08-4712 | Plain Knob Assy., in., (M) | | | | | | | | | | | | | | | | | | | | | | 1 | 1 | | |
| 08-4713 | Plain Knob Assy., in., (R) | | | | | | | | | | | | | | | | | | | | | | 1 | 1 | | |
| 08-4715 | Key Driver Assy. | | | | | | | | | | | | | | | | | | | | | | | | 1 | 1 |
| 08-4718 | Cylinder Knob Assy., out., (B) | | | | | | | | | | | | | | | | | | | | | | | 1 | 1 | |
| 08-4719 | Cylinder Knob Assy., out., (C) | | | | | | | | | | | | | | | | | | | | | | | 1 | 1 | |
| 08-4720 | Cylinder Knob Assy., out., (G) | | | | | | | | | | | | | | | | | | | | | | | 1 | 1 | |
| 08-4721 | Cylinder Knob Assy., out., (M) | | | | | | | | | | | | | | | | | | | | | | | 1 | 1 | |
| 08-4722 | Cylinder Knob Assy., out., (R) | | | | | | | | | | | | | | | | | | | | | | | 1 | 1 | |
| 08-4732 | Scalp & Aligning Tube Assy. | | | | | | | | | | | | | | | | | | | | | | | | 1 | 1 |
| 08-4733 | Scalp & Aligning Tube Assy. | | | | | | | | | | | | | | | | | | | | | | | | 1 | 1 |



PARTS LIST

FUNCTIONS

(Numbers in squares indicate quantity used per unit)

| PART No. | DESCRIPTION | 8G 04 | 8G 05 | 8G 13 | 8U 15 | 8G 15-3 | 8G 16 | 8G 17 | 8G 24 | 8G 26 | 8G 30 | 8G 37 | 8G 44 | 8G 47 | 8G 50 | 8G 54 | 8U 65 | 8G 87 | 8U 93 | 8U 93-2 | 8U 94 | 8G 70 | 8G 71 | 8G 74 | 8G 75 | |
|----------|-------------------|---------|------------------------|-------|-------|---------|-------|-------|-------|-------|-------|-------|-------|-------|-------|-------|-------|-------|-------|---------|-------|-------|-------|-------|-------|---|
| | | 08-4838 | Guarded Latch Assembly | | | | | | | | | | | | | | | | | | | | | | 1 | 1 |
| 09-0003 | Ret Driver Washer | | | 1 | | | | | | | | | | 1 | | | | | | | | 2 | | | | |
| 09-0019 | Knob Retainer | 2 | 2 | 2 | 2 | 2 | 2 | 2 | 2 | 2 | 2 | 2 | 2 | 2 | 2 | 2 | 2 | 2 | 2 | 1 | 1 | | 2 | 2 | 2 | 2 |
| 09-0277 | Ret Driver Spring | | | 1 | | | | | 1 | | | | | | | | | | | | | 2 | | | | |
| 13-2194 | Cylinder Assy. | 1 | 1 | | | | 2 | 2 | 1 | 2 | 2 | 1 | 1 | 1 | | 1 | | 1 | | | | | 1 | 1 | 2 | 2 |
| 13-2195 | Cylinder Assy. | | | | | | | | | | | | | | 1 | | | | | | | | | | | |
| 76-0027 | Knob Collar | 2 | 2 | 2 | 2 | 1 | 2 | 2 | 2 | 2 | 2 | 2 | 2 | 2 | 2 | 2 | 2 | 2 | 2 | 1 | 1 | 2 | 2 | 2 | 2 | 2 |
| 76-0110 | Rose "A" Design | | | | | 1 | | | | | | | | | | | | | | | | | | | | |
| 76-0563 | Knob Pin | 2 | 2 | 2 | 2 | 1 | 2 | 2 | 2 | 2 | 2 | 2 | 2 | 2 | 2 | 2 | 2 | 2 | 2 | 1 | 1 | 2 | 2 | 2 | 2 | 2 |