

SARGENT®

ASSA ABLOY

10 Line Parts Manual



For assistance, contact SARGENT at
800-727-5477 or www.sargentlock.com

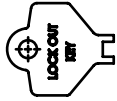
<p>⚠ WARNING This product can expose you to lead which is known to the state of California to cause cancer and birth defects or other reproductive harm. For more information go to www.P65warnings.ca.gov.</p>
08/2018

10 LINE CYLINDER LEVER LOCK

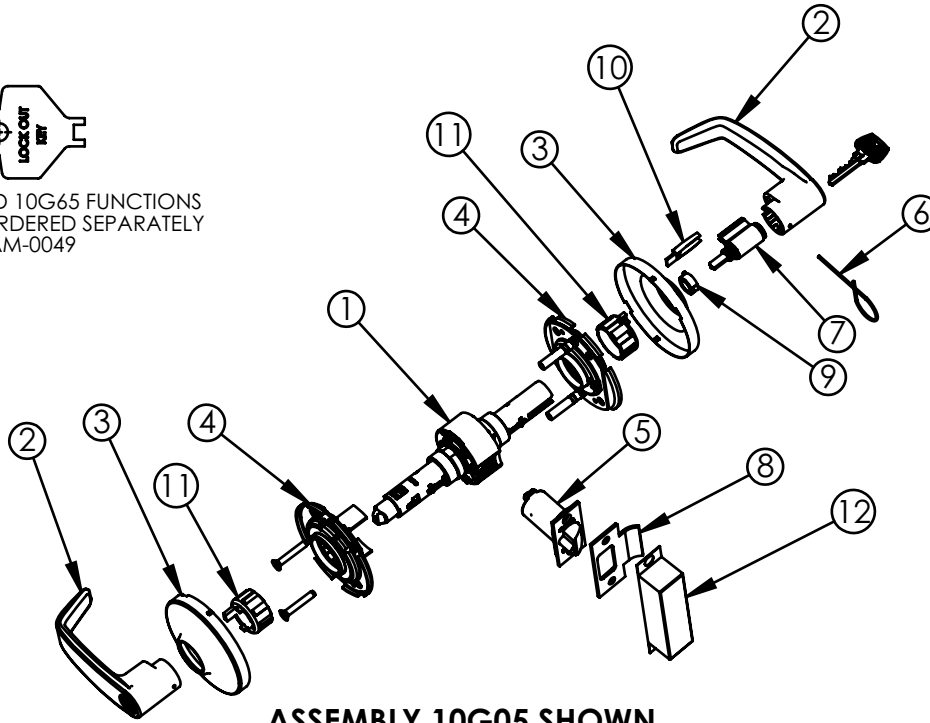
PARTS LIST

PAGE No. 10-1
REV. D

04/2010



10G50 AND 10G65 FUNCTIONS
MUST BE ORDERED SEPARATELY
PART No. AM-0049



ASSEMBLY 10G05 SHOWN

ITEM No.	PART NUMBER	DESCRIPTION	QTY.
1	SEE PAGE 10-2	LOCKBODY ASSEMBLY	1
2	SEE PAGE 10-3	LEVER HANDLE	2
3	SEE PAGE 10-4	ROSE SCALPS	2
4	SEE PAGE 10-4	ROSE ASSEMBLY	2
5	SEE PAGE 10-5	LATCH ASSEMBLY	1
6	SEE PAGE 10-7	SCREW PACK	1
7	13-3266	STD. CYL. ALL EXCEPT 50 FUNCTION*	1
	13-3492	STD. CYL. 50 FUNCTION (LIMITED KEYING)*	
8	08-0312	STRIKE No. 800* (STANDARD)	1
	08-0066	STRIKE No. 808 (28 PREFIX)*	
9	10-0019	CYLINDER SPACER	1
	10-0494	CYLINDER SPACER (KESO)	
10	10-0312	CYLINDER RETAINER	1
	10-0313	CYLINDER RETAINER FOR RC, IC AND KESO CYLINDERS	
11	10-0792	SPACER BUSHING	2
12	AM-0044	STRIKE BOX (STANDARD)	1
	77-1141	STRIKE BOX (28- PREFIX)	

NOTES:

- (*) INDICATES PART MUST BE ORDERED BY FINISH.
- FOR AVAILABLE FINISHES SEE CATALOG.

10 LINE CYLINDER LEVER LOCK

PARTS LIST

LOCKBODY ASSEMBLY

PAGE No. 10-2
REV. D

04/2010

PART No.	DESCRIPTION	PART No.	DESCRIPTION	PART No.	DESCRIPTION
STANDARD CYLINDER/NON-CYLINDER LOCKBODIES		INTERCHANGEABLE CORE CYLINDER LOCKBODIES (65-73-.65-73-7P-.70-.72-73-73-7P-PREFIX ONLY)		FW PREFIX INTERCHANGEABLE CORE CYLINDER LOCKBODIES (65-73-.65-73-7P-.70-.72-73-73-7P- ONLY)	
10-2538	04 FUNCTION	10-2540	04 FUNCTION	10-2688	04 FUNCTION
10-2543*	05 FUNCTION	10-2445*	05 FUNCTION	10-2693*	05 FUNCTION
10-2547	13 FUNCTION	10-2552	16 FUNCTION	10-3088	16 FUNCTION
10-2548	15 FUNCTION	10-2557	17 FUNCTION	10-3092	17 FUNCTION
10-3054	15-3 FUNCTION	10-2562*	24 FUNCTION	10-2709*	24 FUNCTION
10-2550	16 FUNCTION	10-3097	26 FUNCTION	10-3105	30 FUNCTION
10-2555	17 FUNCTION	10-2567	30 FUNCTION	10-2719	37 FUNCTION
10-2560*	24 FUNCTION	10-2572	37 FUNCTION	10-3114*	44 FUNCTION
10-3095	26 FUNCTION	10-3037	38 FUNCTION	10-3119*	54 FUNCTION
10-2565	30 FUNCTION	10-2577*	44 FUNCTION	FW-PREFIX REMOVABLE CORE CYLINDER LOCKBODIES (60-.63-.64-PREFIX ONLY)	
10-2570	37 FUNCTION	10-2583*	54 FUNCTION	10-2687	04 FUNCTION
10-3035	38 FUNCTION	10-2589	70 FUNCTION	10-2692*	05 FUNCTION
10-2575*	05 FUNCTION	KESO CYLINDER 82-PREFIX LOCKBODIES		10-3087	16 FUNCTION
10-2579*	50 FUNCTION	10-2541	04 FUNCTION	10-3091	17 FUNCTION
10-2581*	54 FUNCTION	10-2546*	05 FUNCTION	10-2708*	24 FUNCTION
10-3044*	65 FUNCTION	10-2553	16 FUNCTION	10-3104	30 FUNCTION
10-3004*	68 FUNCTION	10-2558	17 FUNCTION	10-2718	37 FUNCTION
10-2587	70 FUNCTION	10-2563*	24 FUNCTION	10-3113*	44 FUNCTION
10-2592	71 FUNCTION	10-3098	26 FUNCTION	10-3118*	54 FUNCTION
10-3122	93 FUNCTION	10-2568	30 FUNCTION	FW- PREFIX KESO CYLINDER 82-PREFIX LOCKBODIES	
10-3123	94 FUNCTION (OUTSIDE)	10-2573	37 FUNCTION	10-3083	04 FUNCTION
10-3124	94 FUNCTION (INSIDE)	10-3038	38 FUNCTION	10-3084*	05 FUNCTION
REMOVABLE CORE CYLINDER LOCKBODIES (60-.63-.64-PREFIX ONLY)		10-2578*	44 FUNCTION	10-3089	16 FUNCTION
10-2539	04 FUNCTION	10-2584*	54 FUNCTION	10-3093	17 FUNCTION
10-2544*	05 FUNCTION	10-2590	70 FUNCTION	10-3094*	24 FUNCTION
10-2551	16 FUNCTION	10-2595	71 FUNCTION	10-3106	30 FUNCTION
10-2556	17 FUNCTION	STANDARD FW-PREFIX LOCKBODIES		10-3107	37 FUNCTION
10-2561*	24 FUNCTION	10-2686	04 FUNCTION	10-3115*	44 FUNCTION
10-3096	26 FUNCTION	10-2691*	05 FUNCTION	10-3120*	54 FUNCTION
10-2566	30 FUNCTION	10-3085	13 FUNCTION		
10-2571	37 FUNCTION	10-3086	16 FUNCTION		
10-3036	38 FUNCTION	10-3090	17 FUNCTION		
10-2576*	44 FUNCTION	10-2707*	24 FUNCTION		
10-2582*	54 FUNCTION	10-3103	30 FUNCTION		
10-2588	70 FUNCTION	10-2717	37 FUNCTION		
10-2593	71 FUNCTION	10-3112*	44 FUNCTION		
		10-3116*	50 FUNCTION		
		10-3117*	54 FUNCTION		
		10-3121*	65 & 68 FUNCTIONS		

NOTES:

- (*) INDICATES LOCKBODY MUST BE ORDERED BY FINISH.
- FOR AVAILABLE FINISHES SEE CATALOG.

© SARGENT Manufacturing Company, an ASSA ABLOY Group Company. All Rights reserved.

SARGENT
ASSA ABLOY

10 LINE CYLINDER LEVER LOCK

PARTS LIST

INSIDE & OUTSIDE LEVER HANDLES

PAGE No. 10-3
REV. D

04/2010

PART No.	DESCRIPTION	QTY		PART No.	DESCRIPTION	QTY
"B" DESIGN				"L" DESIGN		
10-0523	PASSAGE	1		10-0501	PASSAGE	1
10-0524	CYLINDER	1		10-0502	CYLINDER	1
10-1525	PUSH BUTTON/EMERG. (30 PREFIX)	1		10-0503	PUSH BUTTON/EMERG. (30 PREFIX)	1
10-0526	REMOVABLE CORE	1		10-0504	REMOVABLE CORE	1
10-0527	INTERCHANGEABLE CORE	1		10-0505	INTERCHANGEABLE CORE	1
10-0528	KESO	1		10-0506	KESO	1
10-0534	PASSAGE - HANDICAP	1		10-0512	PASSAGE - HANDICAP	1
10-1535	CYLINDER- HANDICAP	1		10-0513	CYLINDER- HANDICAP	1
10-0536	PUSH BUTTON/EMERG. (30 PREFIX) - HANDICAP	1		10-0514	PUSH BUTTON/EMERG. (30 PREFIX) - HANDICAP	1
10-0537	REMOVABLE CORE - HANDICAP	1		10-0515	REMOVABLE CORE - HANDICAP	1
10-0538	INTERCHANGEABLE CORE-HANDICAP	1		10-0516	INTERCHANGEABLE CORE-HANDICAP	1
10-0539	KESO - HANDICAP	1		10-0517	KESO - HANDICAP	1
"G" DESIGN- DECORATIVE (COASTAL SERIES)				"Y" DESIGN- DECORATIVE (COASTAL SERIES)		
10-0567	PASSAGE (LEFT)	1		10-0611	PASSAGE (LEFT)	
10-0568	PASSAGE (RIGHT)	1		10-0612	PASSAGE (RIGHT)	
10-0569	CYLINDER (LEFT)	1		10-0613	CYLINDER (LEFT)	
10-0570	CYLINDER (RIGHT)	1		10-0614	CYLINDER (RIGHT)	
10-0571	PUSH BUTTON/EMERG. (30 PREFIX) (LEFT)	1		10-0615	PUSH BUTTON/EMERG. (30 PREFIX) (LEFT)	
10-0572	PUSH BUTTON/EMERG. (30 PREFIX) (RIGHT)	1		10-0616	PUSH BUTTON/EMERG. (30 PREFIX) (RIGHT)	
10-0573	REMOVABLE CORE (LEFT)	1		10-0617	REMOVABLE CORE (LEFT)	
10-0574	REMOVABLE CORE (RIGHT)	1		10-0618	REMOVABLE CORE (RIGHT)	
10-0575	INTERCHANGEABLE CORE (LEFT)	1		10-0619	INTERCHANGEABLE CORE (LEFT)	
10-0576	INTERCHANGEABLE CORE (RIGHT)	1		10-0620	INTERCHANGEABLE CORE (RIGHT)	
10-0577	KESO (LEFT)	1		10-0621	KESO (LEFT)	
10-0578	KESO (RIGHT)	1		10-0622	KESO (RIGHT)	
"J" DESIGN				"P" DESIGN		
10-2204	PASSAGE	1		10-0545	PASSAGE	1
10-2205	CYLINDER	1		10-0546	CYLINDER	1
10-2206	PUSH BUTTON/EMERG. (30 PREFIX)	1		10-0547	PUSH BUTTON/EMERG. (30 PREFIX)	1
10-2207	REMOVABLE CORE	1		10-0548	REMOVABLE CORE	1
10-2245	PASSAGE - HANDICAP	1		10-0549	INTERCHANGEABLE CORE	1
10-2246	CYLINDER- HANDICAP	1		10-0550	KESO	1
10-2247	PUSH BUTTON/EMERG. (30 PREFIX) - HANDICAP	1		10-0556	PASSAGE - HANDICAP	1
10-2248	REMOVABLE CORE - HANDICAP	1		10-0557	CYLINDER- HANDICAP	1
				10-0558	PUSH BUTTON/EMERG. (30 PREFIX) - HANDICAP	1
				10-0559	REMOVABLE CORE - HANDICAP	1
				10-0560	INTERCHANGEABLE CORE-HANDICAP	1
				10-0561	KESO - HANDICAP	1

NOTES:

1. LEVERS MUST BE ORDERED BY FINISH.
2. FOR AVAILABLE FINISHES SEE CATALOG.
3. LEVER DESIGNS G & Y ARE HANDED.

SARGENT
ASSA ABLOY

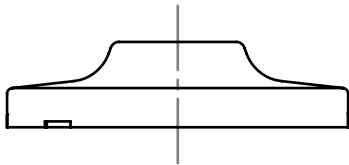
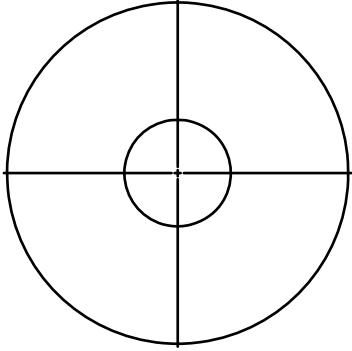
10 LINE CYLINDER LEVER LOCK

ROSE SCALPS & ROSE ASSEMBLIES

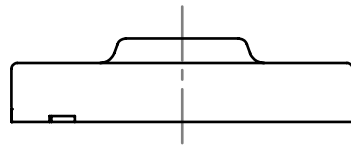
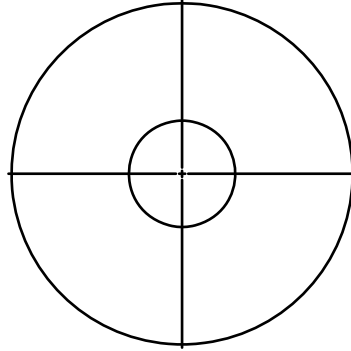
PARTS LIST

PAGE	REV.
No.	D
10-4	

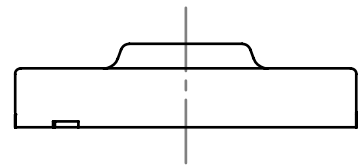
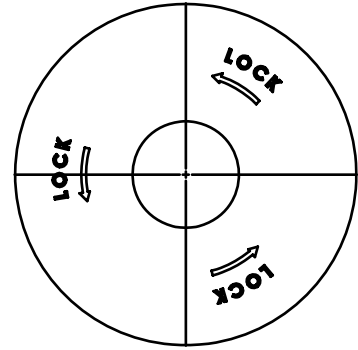
04/2010



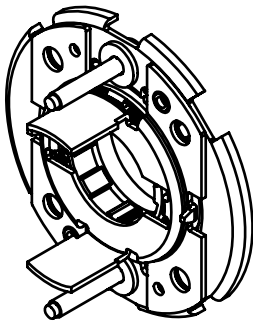
ROSE SCALP "G" DESIGN
PART No. 10-0790



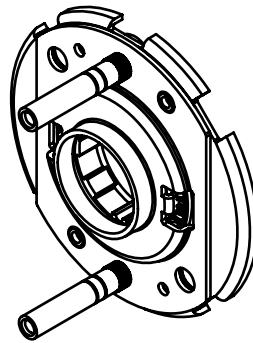
ROSE SCALP "L" DESIGN
PART No. 10-0798



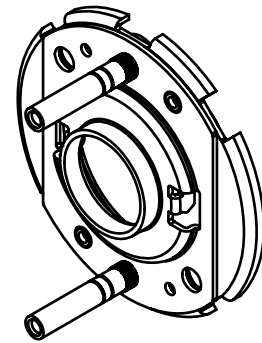
38 FUNCTION ROSE SCALP
PART No. 10-0804 "G" DESIGN
PART No. 10-0805 "L" DESIGN



INSIDE ROSE ASSEMBLY
10-3048
THRU BOLT SCREWS
01-9170



OUTSIDE ROSE ASSEMBLY
10-3049



15-3 FUNCTION
BLANK ROSE

NOTES:

1. SCALPS MUST BE ORDERED BY FINISH.
2. FOR AVAILABLE FINISHES SEE CATALOG.

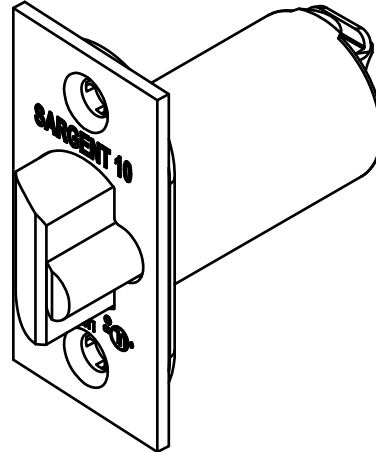
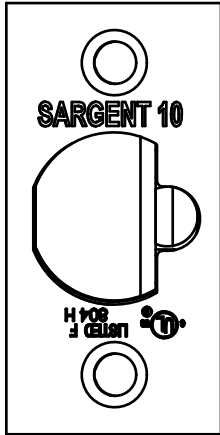
10 LINE CYLINDER LEVER LOCK

LATCH ASSEMBLY

PARTS LIST

PAGE No.	REV.
10-5	D

04/2010



2-3/4" LATCH (DEADLOCKING LATCH) SHOWN

PART No.	DESCRIPTION	QTY.
10-2000	2-3/4" LATCH (DEADLOCKING LATCH)	1
10-2022	2-3/4" LATCH (LATCH)	1
10-2053	3-3/4" LATCH (DEADLOCKING LATCH, 23 PREFIX)	1
10-2054	3-3/4" LATCH (LATCH, 23 PREFIX)	1
10-2058	5" LATCH (DEADLOCKING LATCH, 25 PREFIX)	1
10-2057	5" LATCH (LATCH, 25 PREFIX)	1
10-2634	3/4" LATCH THROW (DEADLOCKING LATCH, 41 PREFIX)	1

NOTES:

1. ALL LATCH ASSEMBLIES MUST BE ORDERED BY FINISH.
2. FOR AVAILABLE FINISHES SEE CATALOG.

© SARGENT Manufacturing Company, an ASSA ABLOY Group Company. All Rights reserved.

SARGENT
ASSA ABLOY

10 LINE CYLINDER LEVER LOCK

SCREW PACKS

PARTS LIST

PAGE	REV.
No.	
10-6	D

04/2010

PART No.	DESCRIPTION	QTY.
10-2052	SCREW PACK - STANDARD	1
10-2070	SCREW PACK - 28 PREFIX	1
10-3125	SCREW PACK 10U93 FUNCTION THRU-BOLT SCREW, SURFACE AND PUSH PIN	1
10-2743	SCREW PACK 10U94 FUNCTION THRU-BOLT SCREW, SURFACE AND PUSH PIN	1
10-2842	BLANK FRONT PACK (94-2 FUNCTION)	1

NOTES:

1. ALL SCREW PACKS MUST BE ORDERED BY FINISH.
2. FOR AVAILABLE FINISHES SEE CATALOG.