

## 10X Line

### Electrified Bored Lock

#### 1 Installation Notes

- Doors manufactured by ASSA ABLOY Group Companies are available pre-wired with ElectroLynx® connectors.
- Wire colors are consistent with all ASSA ABLOY products.
- Doors without ElectroLynx connectors will have to be hard wired.
- For Non ElectroLynx Connector System Door:
  - » Install available Retrofit Harness and use with ElectroLynx Hinge.
  - » Follow installation instructions for ElectroLynx Connector System.
- For Non ElectroLynx Connector System Door and Hinge:
  - » Remove connector on lock.
  - » Use proper crimp splices or wire nuts in accordance with local code for terminating connections.
  - » Lock is polarity sensitive.
- The system shall not be installed in fail secure mode unless permitted by the local authority having jurisdiction and shall not interfere with the operation of Listed panic hardware.
- Power shall be by UL294 and ULC-60839 Class 2 Power Limited power supplies or Listed Access Control units.
- ULC-60839-11-1 - Grade 1 and Environmental class: indoor only.
- UL294 access control performance levels (Endurance Level IV, Line Security Level I, Attack Level I, Power Stand-by Level I).
- Wiring methods shall be in accordance with the National Electrical Code (ANSI/NFPA70), CSA 22.1, Canadian Electrical Code (CEC), Part I, Safety Standard for Electrical Installations, local codes and the authorities having jurisdiction.

#### 2 Electrical Specifications

- Operating voltage range: 10.2VDC to 26.4VDC
- Current draw: 10mA continuous.
- Peak current draw: 500mA.

#### Wire Gauge Chart

Total One-Way Length of Wire Run (ft)	12VDC Load Current @ 12VDC		24 VDC Load Current @ 24VDC	
	1/2A	1A	1/2A	1A
100	18	14	20	18
150	16	12	18	16
200	14	12	18	14
250	14	10	16	14

Note: The minimum permissible wire size to be used shall not be less than 26 AWG. When calculating voltage drop, use 0.5A as the recommended current draw.

#### WARNING

This product can expose you to lead which is known to the state of California to cause cancer and birth defects or other reproductive harm. For more information go to [www.P65warnings.ca.gov](http://www.P65warnings.ca.gov).

#### WARNING

Attention Installer: Improper installation may result in damage to the product and void the factory warranty.

## 3 Door Preparation

Refer to Template 4756 (and also 4753 if BHW trim) for door preparation. Use door marker provided with lock to verify dimensions.

## 4 Verify / Configure Lock for Fail Safe or Fail Secure

Locks are configurable for Fail Safe or Fail Secure applications, locate dip switch as shown below. Dip switch can only be accessed prior to lock installation.

- Power cycling is required after changing switch position.

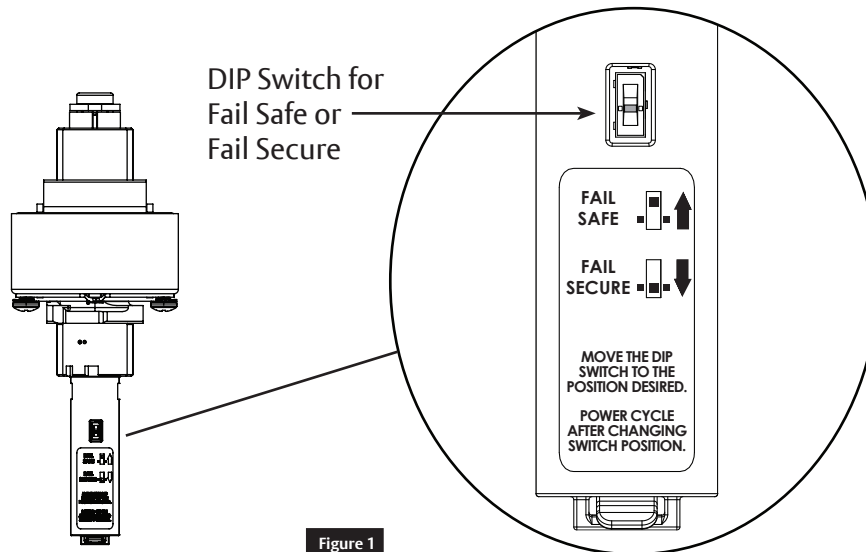


Figure 1

## 5 Installation

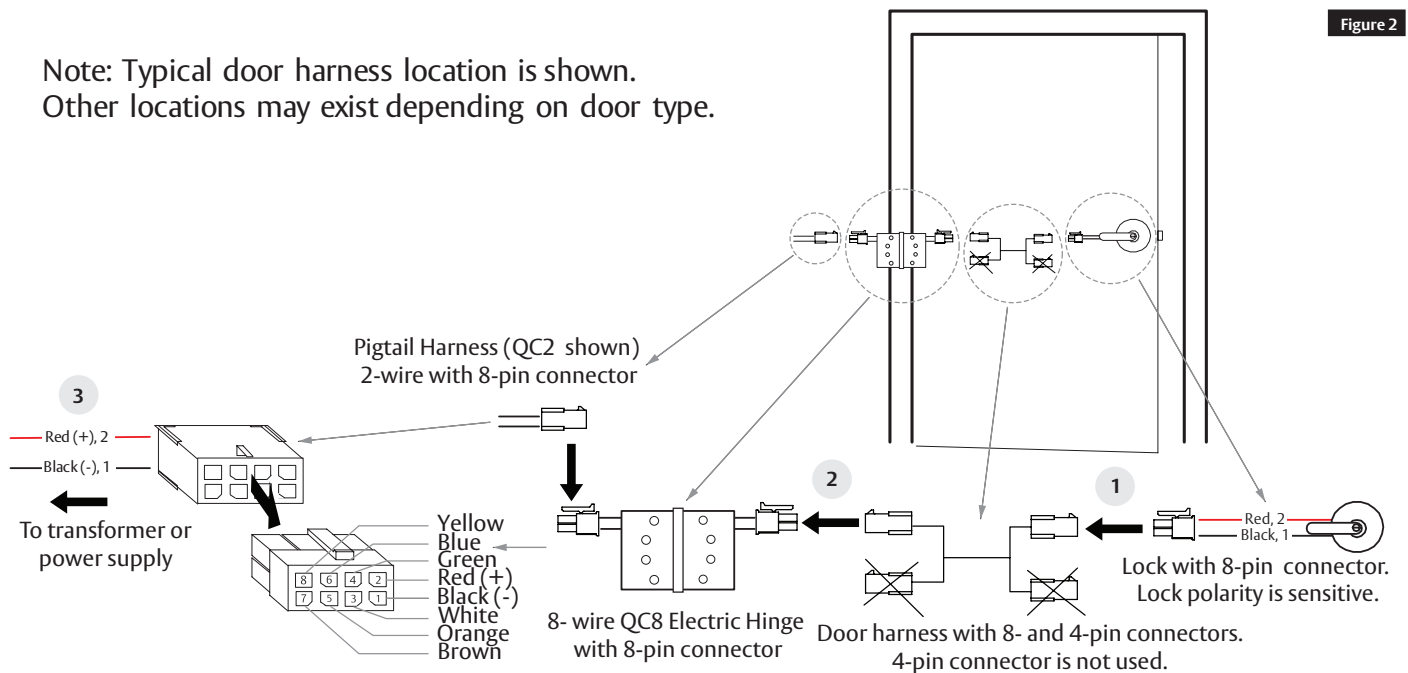
Install lock per instruction sheet A8286 (or A8334 if BHW trim), provided with lock.  
See Figure 2.

1. Plug the 8-pin connector from the lock into the 8-pin connector for the wiring harness thru the door.
2. Plug the 8-pin connector from the door harness into the 8-pin hinge connector.
3. Connect the hinge connector to the transformer or power supply.

**Caution:** Verify that the correct voltage and polarity is being used. The voltage must not exceed 30VDC. If voltage exceeds this value, the lock may be damaged. Lock is polarity sensitive.

4. Test lock
  - Fail Secure – applying power unlocks
  - Fail Safe – applying power locks

Note: Typical door harness location is shown.  
Other locations may exist depending on door type.



**6** Wiring Diagram

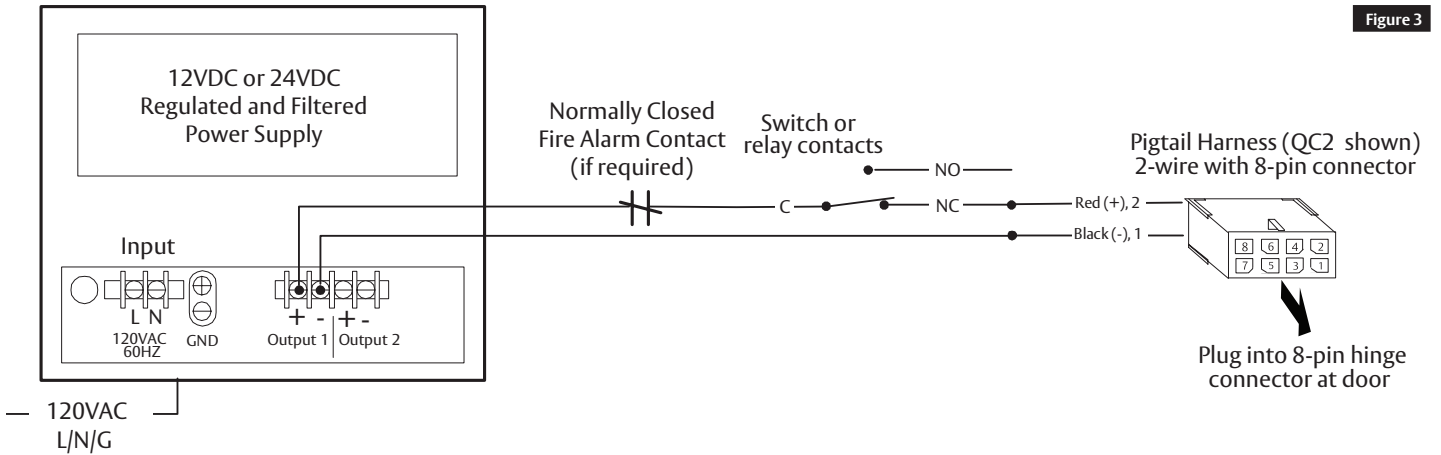


Figure 3

**7** Request to Exit Switch Wiring Diagram

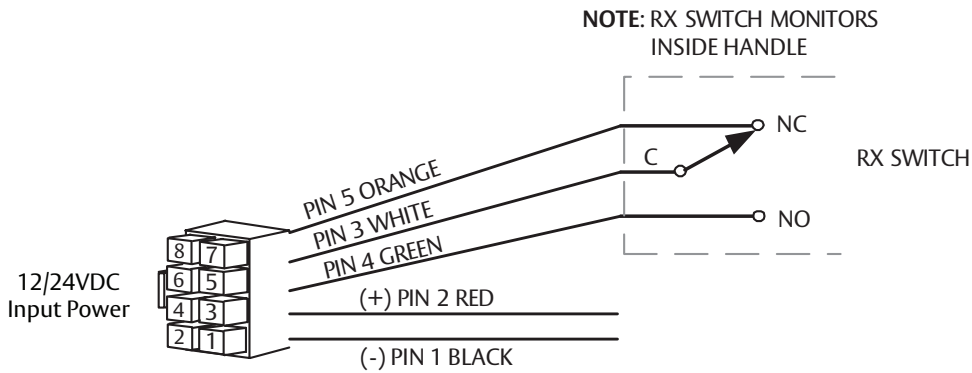


Figure 4