

# 20 Series-Parts (Manufactured After February 25, 2000)

20 Series

INDEX-Page 1  
8/1/04

## Rail Assemblies

Complete Rail Assemblies	20.1
Standard Dogging Rail Assembly	20.2A, 20.2B
Cylinder Dogging Rail Assembly	20.3A, 20.3B
Fire-Rated Rail Assembly	20.4

## Surface Vertical Rod Exit Devices

2727 & 12-2727 Center Case Assembly	27.1
12-2727 Bottom Case Assembly	27.2
12-2727 Top Case Assembly	27.3
2727 Bottom Case Assembly	27.4
2727 Top Case Assembly	27.5

## Rim Exit Devices

2828 Chassis Assembly	28.1
12-2828 Chassis Assembly	28.2

## Lever Trim

28-K-LL, For 2727, 2828, 5100 and 5800 Lever Trim	28.3
28-D-LL, For 2727, 2828, 5100 and 5800 Lever Trim	28.4
Lever Designs	28.5

## Misc. Trim

GTB For 5100, 5800, and 20 Series Shipped before April 17, 2000	28.8
HTB Shipped after April 17, 2000	28.8
28-K-OB	28.9

## 20 Series Manufactured before February 25, 2000

2828 Chassis Assembly before 2/25/00	28.6
12-2828 Chassis Assembly before 2/25/00	28.7

20 series  
Parts List

2727  
OR  
2828

Parts List

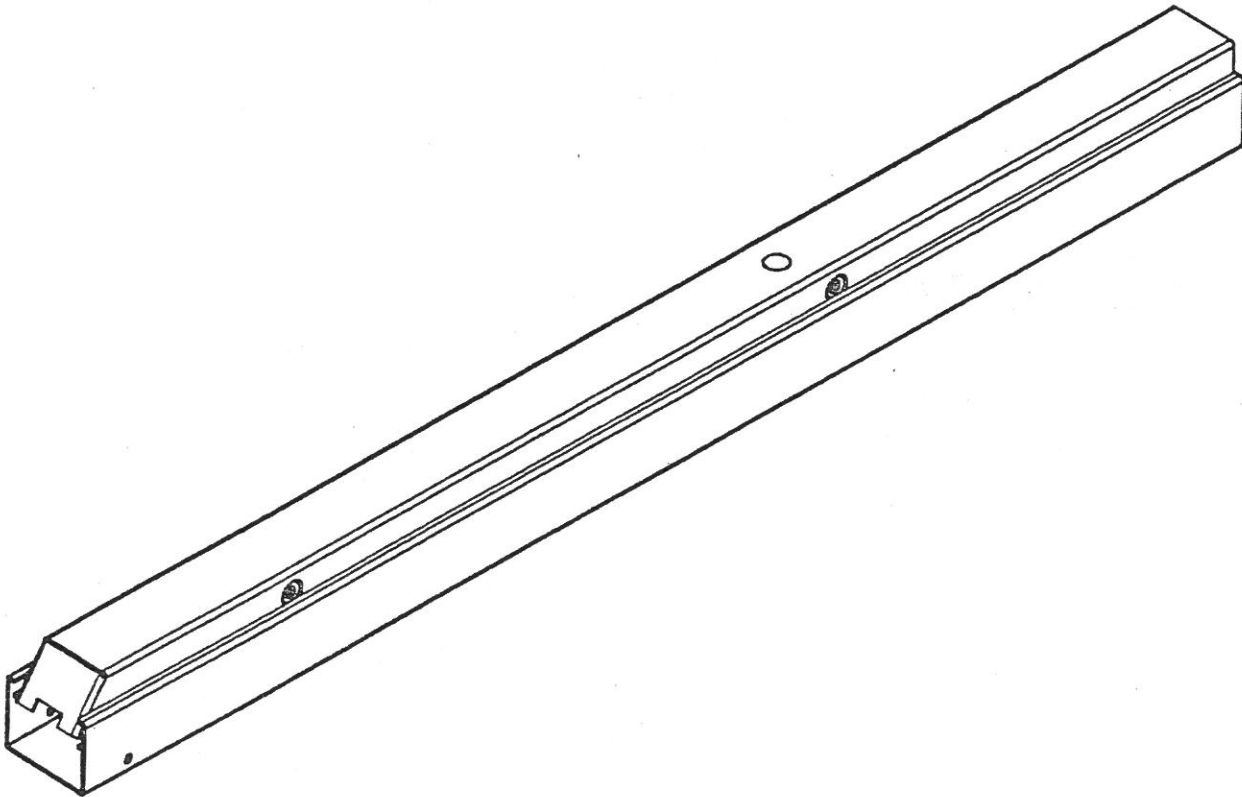
Page No. REV.

20.1 B

5/31/2002

RAIL ASSEMBLY LESS END CAP AND MOUNTING BRACKET

			CAM LOCKDOWN	CYLINDER LOCKDOWN (16- PREFIX)	FIRE EXIT HARDWARE (12- PREFIX)
2727	24" TO 32"	E	28-2011	28-2488	28-2066
AND	30" TO 36"	F	28-2012	28-2489	28-2067
2828	36" TO 48"	G	28-2014	28-2490	28-2069



20 series  
Parts List

2727  
AND  
2828

Parts List  
Page No. REV.  
20.2A B  
5/31/2002

RAIL ASSEMBLY  
LESS END CAP AND  
MOUNTING BRACKET

2727 AND 2828	STANDARD DOGGING RAIL	E F G	28-2011 28-2012 28-2014
---------------------	-----------------------------	-------------	-------------------------------

ITEM	ASSY NO.	PART NO.	DESCRIPTION	QTY
1	28-2011 (E) 28-2012 (F) 28-2014 (G)	68-0434	END CAP	1
2		28-0018	PUSH RAIL (E) *	1
		28-0019	PUSH RAIL (F) *	
		28-0021	PUSH RAIL (G) *	
3		01-0098	RETAINING RING	2
4		68-0229	PIVOT PIN PUSH RAIL W/ "D" *	2
		68-1442	PIVOT PIN PUSH RAIL W/O "D" *	
5		68-3609	CONNECTING ARM ASSEMBLY	2
6		68-0945	PIVOT PIN MOUNTING RAIL	2
7		68-0943	BRACKET CONNECTING ARM	2
8		01-1236	SCREW #8-32 X 3/8 *	4
9		68-0950	MOUNTING RAIL (E) *	1
		68-0951	MOUNTING RAIL (F) *	
	68-0949	MOUNTING RAIL (G) *		
10	68-0236	SPRING	2	
11	68-2596	LOCKDOWN BUTTON KIT	1	
12	01-1141	SCREW #8-32 X 3/8 *	4	
13	68-0233	MOUNTING PLATE	1	
		68-2141	MOUNTING PACK INC ITEM 13	1

\* SPECIFY FINISH

THIS PAGE MUST FACE 20.2B

20 series  
Parts List

2727  
AND  
2828

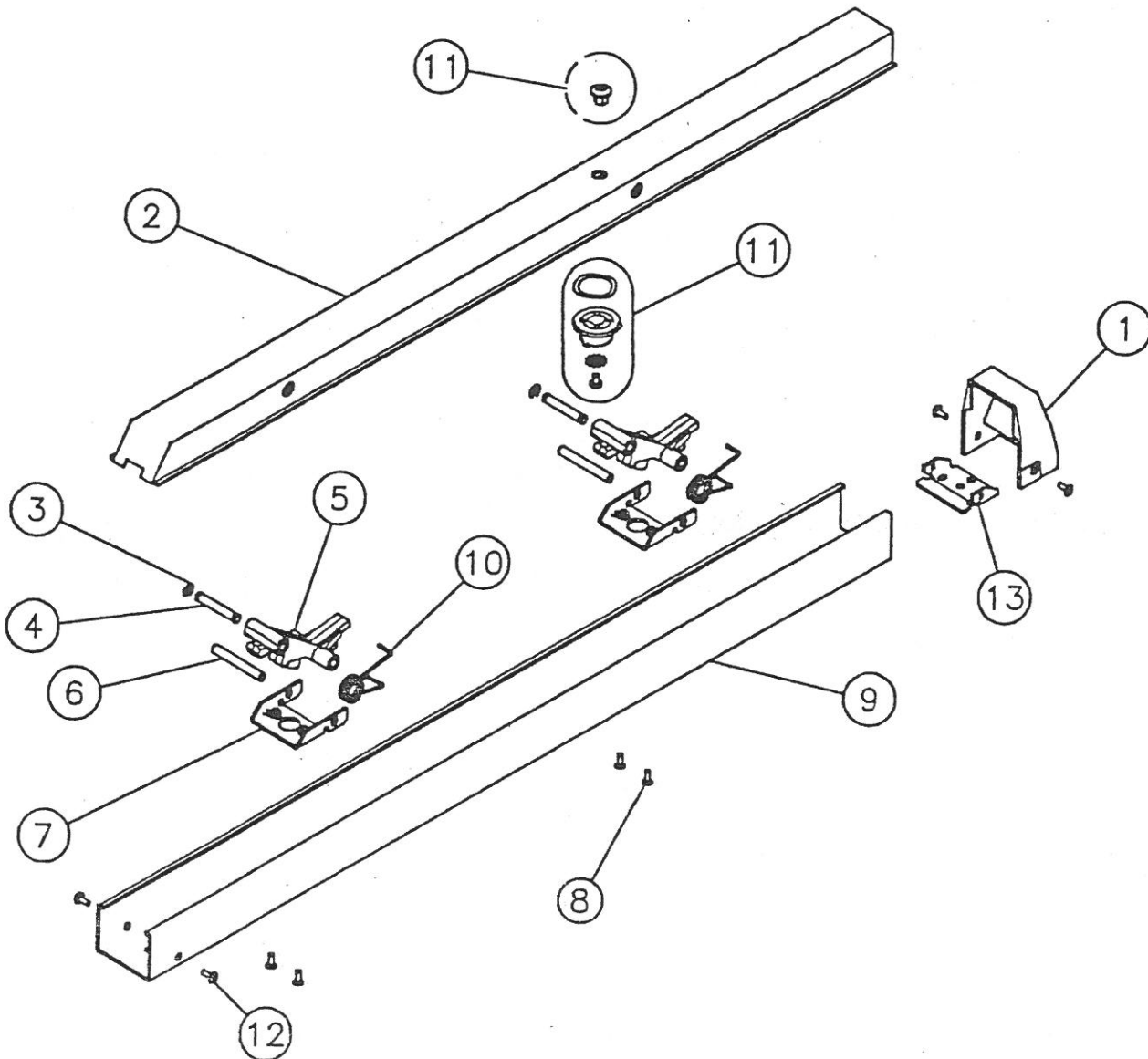
Parts List

Page No. REV.  
20.2B B

5/31/2002

RAIL ASSEMBLY  
LESS END CAP AND  
MOUNTING BRACKET

2727 AND 2828	STANDARD DOGGING RAIL	E F G	28-2011 28-2012 28-2014
---------------------	-----------------------------	-------------	-------------------------------



THIS PAGE MUST FACE 20.2A

20 series  
Parts List

16-2727  
AND  
16-2828

Parts List

Page No. REV.

20.3A B

5/31/2002

RAIL ASSEMBLY  
LESS END CAP AND  
MOUNTING BRACKET

16-2727 AND 16-2828	CYLINDER DOGGING RAIL	E F G	28-2488 28-2489 28-2490
---------------------------	-----------------------------	-------------	-------------------------------

ITEM	ASSY NO.	PART NO.	DESCRIPTION	QTY
1		68-0434	END CAP	1
2		68-2635	PUSH RAIL (F) *	1
		68-2639	PUSH RAIL (E) *	
		68-2637	PUSH RAIL (G) *	
3		01-0098	RETAINING RING	2
4		68-0229	PIVOT PIN PUSH RAIL W "D" *	2
		68-1442	PIVOT PIN PUSH RAIL W/O "D" *	
5		68-3609	CONNECTING ARM ASSEMBLY	2
6	28-2488 (E)	68-0945	PIVOT PIN MOUNTING RAIL	2
7	28-2489 (F)	68-0943	BRACKET CONNECTING ARM	2
8	28-2490 (G)	01-1236	SCREW #8-32 X 3/8 *	4
9		68-0950	MOUNTING RAIL (E) *	1
		68-0951	MOUNTING RAIL (F) *	
	68-0949	MOUNTING RAIL (G) *		
10		68-0236	SPRING	2
11		01-1141	SCREW #8-32 X 3/8 *	4
12		68-0233	MOUNTING PLATE	1
13		—————	CYLINDER * $\phi$	1
		68-2141	MOUNTING PACK INC ITEM 12	1

\* SPECIFY FINISH

$\phi$  SPECIFY #42 CYLINDER BY KEYING REQUIREMENTS

THIS PAGE MUST FACE 20.3B

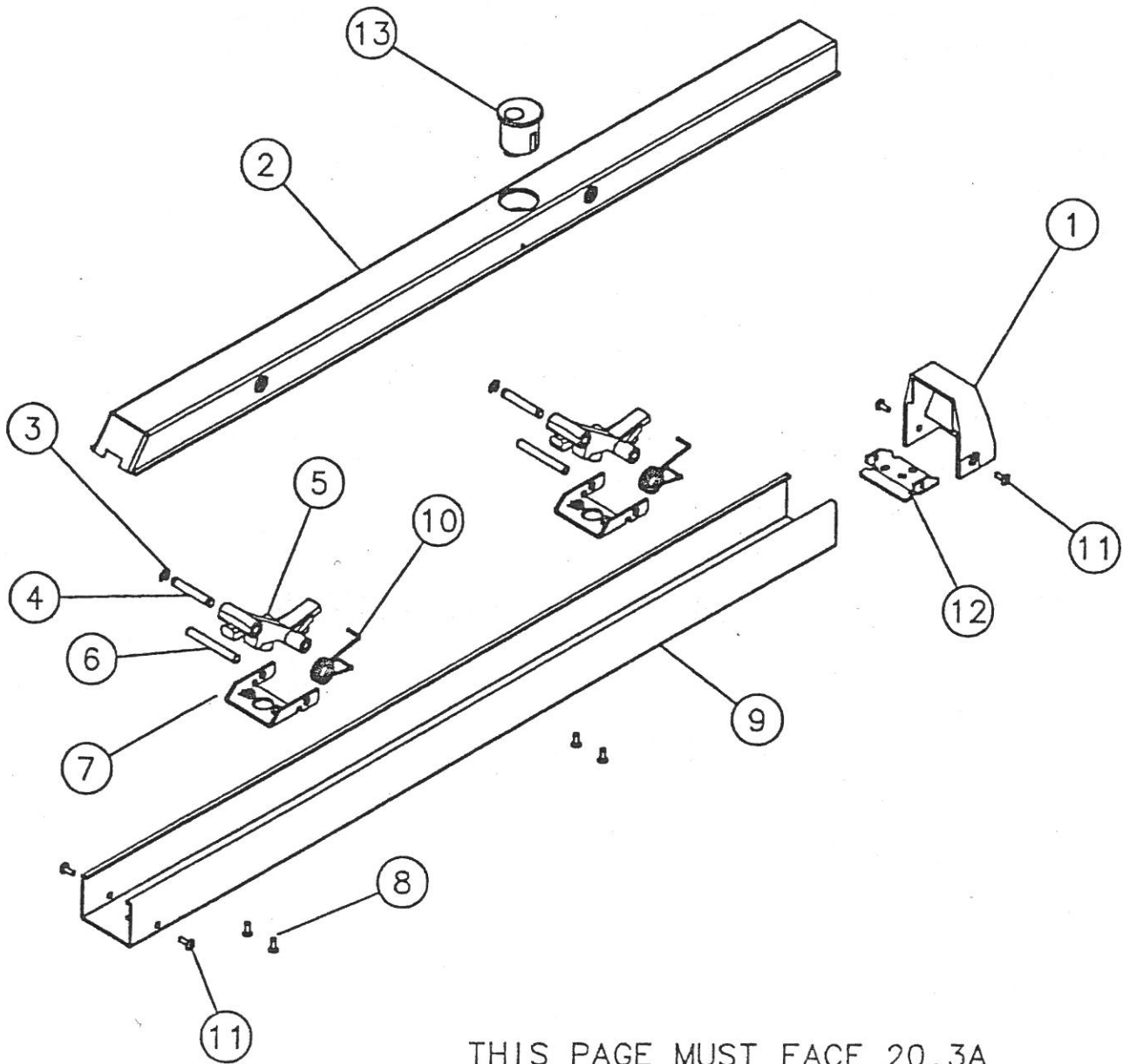
20 series  
Parts List

16-2727  
AND  
16-2828

Parts List  
Page No. REV.  
20.3B B  
5/31/2002

RAIL ASSEMBLY  
LESS END CAP AND  
MOUNTING BRACKET

16-2727 AND 16-2828	CYLINDER DOGGING RAIL	E F G	28-2488 28-2489 28-2490
---------------------------	-----------------------------	-------------	-------------------------------



THIS PAGE MUST FACE 20.3A

20 series  
Parts List

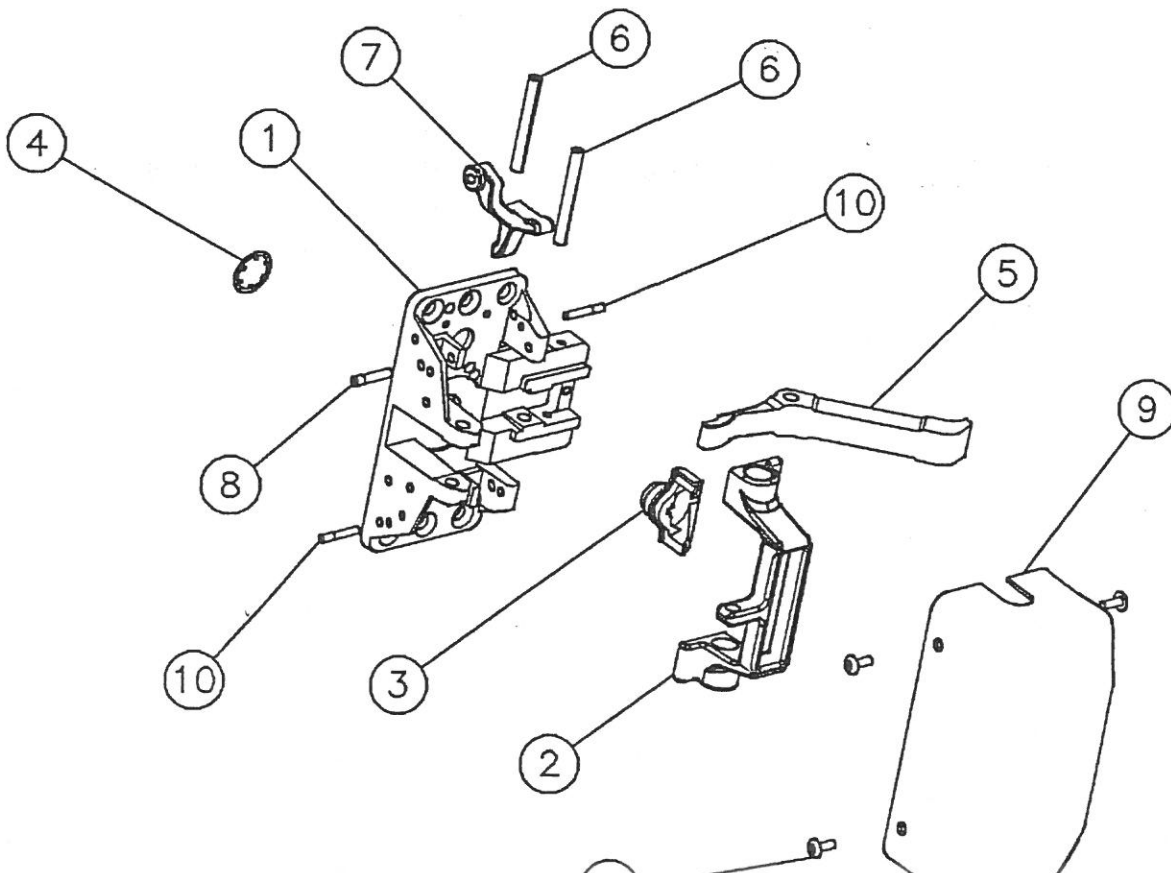
2727

Parts List  
Page No. REV.  
27.1 B  
05/06/04

			CHASSIS ASSEMBLY LESS COVER
2727	ALL FUNCTIONS	LHRB RHRB	28-2427 28-2428

ITEM	ASSY NO.	PART NO.	DESCRIPTION	QTY
1		28-0125	CHASSIS	1
2		28-0035	MAIN SLIDE	1
3		28-0109	CAM	1
4		01-9167	RETAINING RING	1
5		68-0241	LIFT ARM	1
6		01-4512	PIVOT PIN	2
7		28-0036	LIFT LEVER	1
8		28-0026	PIVOT PIN (LIFT LEVER)	1
9		28-0005	COVER *	1
10		28-0037	SLIDE GUIDE PIN	2
11		01-1141	COVER SCREW (6-32 x 3/8) *	4
		28-2049	SCREW PACK	1

\* SPECIFY FINISH



# 20 series Parts List

12-2727

## Parts List

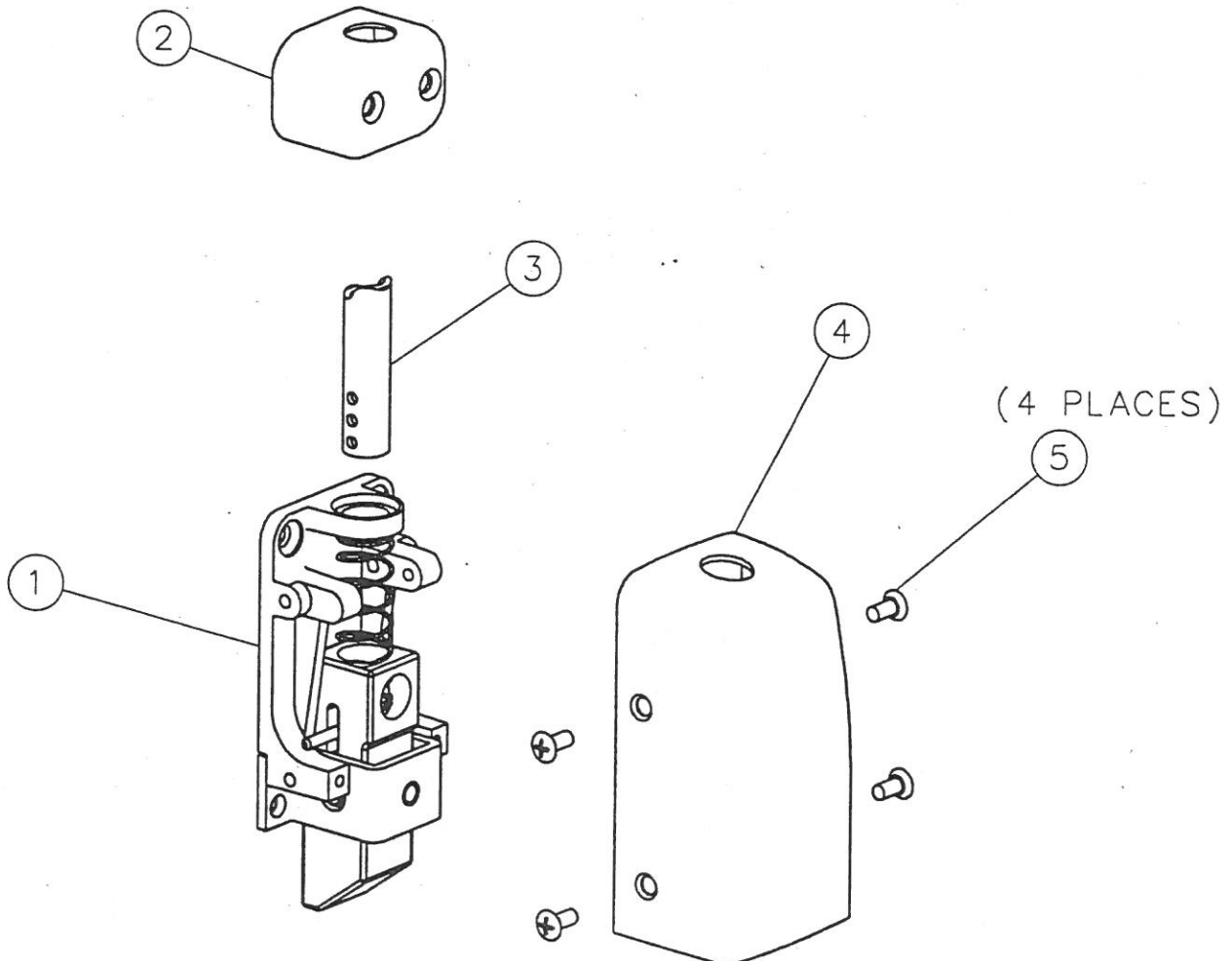
Page No. Rev.  
27.2 A  
01/18/00

BOTTOM CHASSIS  
LESS COVER

12-2727	ALL FUNCTIONS	LHRB RHRB	97-2002
---------	---------------	--------------	---------

ITEM	PART NO.	DESCRIPTION	QTY
1	97-2002	BOTTOM CHASSIS ASSEMBLY	1
2	97-0020	ROD GUIDE *	1
3	97-0034	BOTTOM ROD (SPECIFY W/WO THRESHOLD AND CROSSBAR HEIGHT.) *	1
4	97-0087	BOTTOM COVER *	1
5	97-0052	SCREW #8-32 X 5/16 *	4
	68-3028	12- SCREW PACK ALL CASES	1
	68-3924	HC SCREW PACK ALL CASES	
	646	ADJUSTABLE STRIKE PACK	1
	655	FLAT STRIKE PACK	

\* SPECIFY FINISH





# 20 series Parts List

12-2727

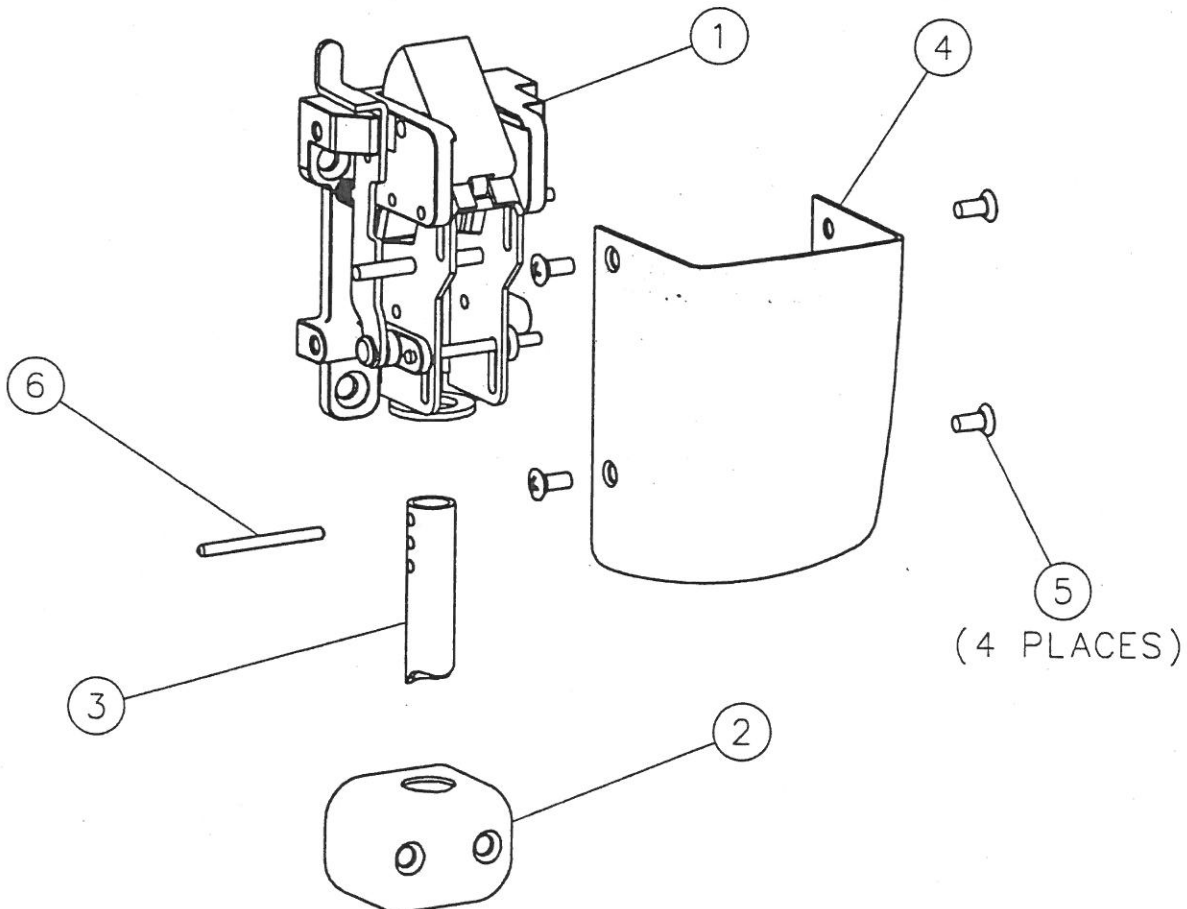
## Parts List

Page No. Rev.  
27.3 A  
01-18-00

			TOP CHASSIS LESS COVER
12-2727	ALL FUNCTIONS	LHRB RHRB	97-2963

ITEM	PART NO.	DESCRIPTION	QTY
1	97-2963	TOP CHASSIS ASSEMBLY	1
2	97-0020	ROD GUIDE *	1
3	97-0034	TOP ROD (SPECIFY W/WO THRESHOLD AND CROSSBAR HEIGHT.) *	1
4	97-0392	TOP COVER *	1
5	97-0052	SCREW #8-32 X 5/16 *	4
6	97-0049	TOP ROD ADJ. PIN	1
	68-3028	12- SCREW PACK ALL CASES	1
	646	ADJUSTABLE STRIKE PACK	1
	655	FLAT STRIKE PACK	

\* SPECIFY FINISH



20 series  
Parts List

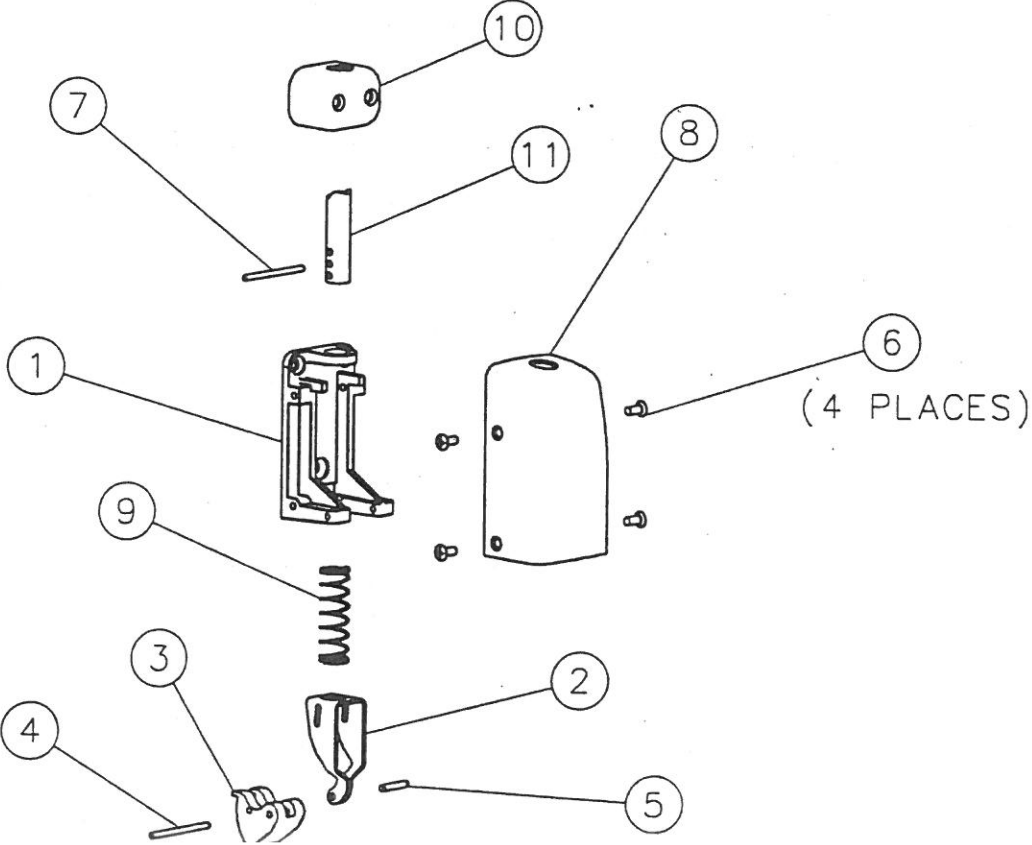
2727

Parts List  
Page No. 27.4 REV. A  
01/18/00

			BOTTOM CHASSIS WITHOUT COVER
2727	ALL FUNCTIONS	LHRB RHRB	97-2038

ITEM	ASSY NO.	PART NO.	DESCRIPTION	QTY
1	97-2038	97-0025	CHASSIS (BOTTOM)	1
2		97-0035	RETRACTOR	1
3		97-0053	LATCHBOLT	1
4		97-0048	PIVOT PIN (LATCHBOLT)	1
5		68-1094	SPIROL PIN	1
6		97-0052	MACHINE SCREW (#8-32 x 5/16")*	4
7		97-0048	BOTTOM ROD ADJ. PIN	1
8		97-0018	COVER *	1
9		97-0101	SPRING	1
10		97-0020	ROD GUIDE*	1
11		97-0034	BOTTOM ROD* SPECIFY W/WO THRESHOLD AND CROSS BAR HEIGHT	1
		68-2113	SCREW PACK BOTTOM AND TOP CASES	1
		624	STD. BOTTOM STRIKE PACK	1

\* SPECIFY FINISH



# 20 series Parts List

2727

Parts List

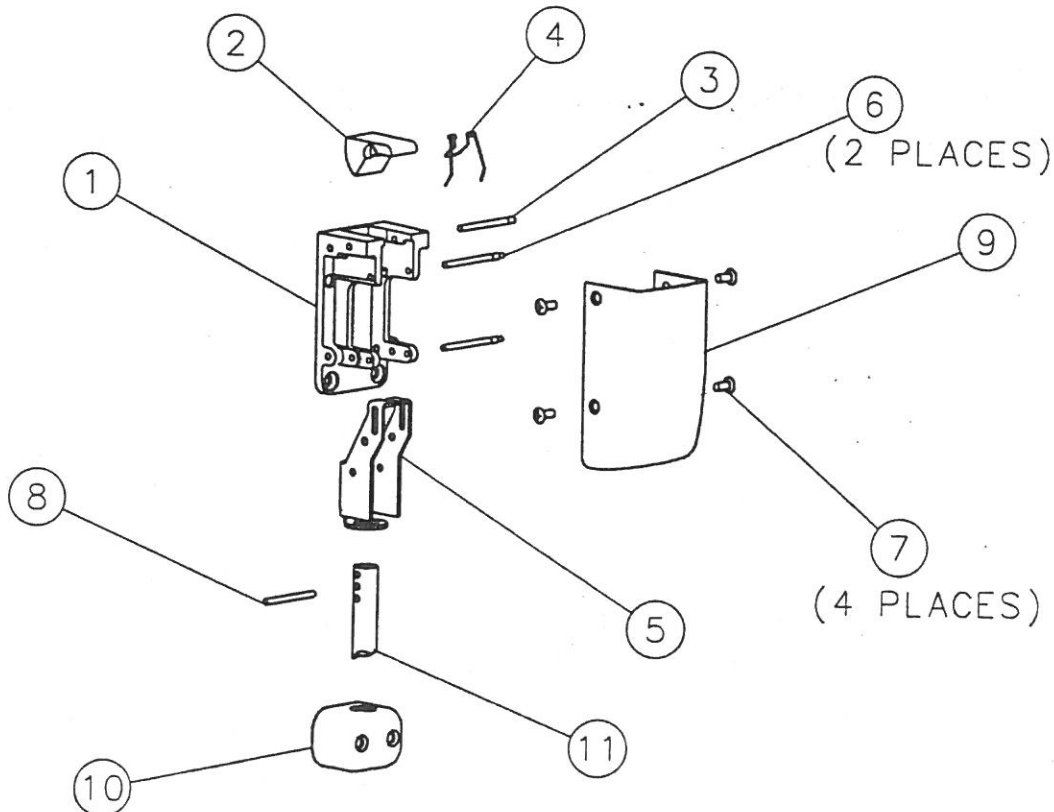
Page No. REV.  
27.5 A

01/18/00

			TOP CHASSIS WITHOUT COVER
2727	ALL FUNCTIONS	LHRB RHRB	97-2433

ITEM	ASSY NO.	PART NO.	DESCRIPTION	QTY
1	97-2433	97-0295	CHASSIS (TOP)	1
2		97-0296	LATCHBOLT	1
3		97-0294	LATCHBOLT PIVOT PIN	1
4		97-0300	SPRING	1
5		97-0298	TOP SLIDE	1
6		97-0046	TOP SLIDE PIN	2
7		97-0052	MACHINE SCREW (#8-32 x 5/16")*	4
8		97-0048	BOTTOM ROD ADJ. PIN	1
9		97-0018	COVER *	1
10		97-0020	ROD GUIDE*	1
11		97-0034	TOP ROD* SPECIFY W/WO THRESHOLD AND CROSS BAR HEIGHT	1
		68-2113	SCREW PACK BOTTOM AND TOP CASES	1
		629	TOP STRIKE PACK	1

\* SPECIFY FINISH



# 20 series Parts List

2828

## Parts List

Page No. REV.  
28.1 B

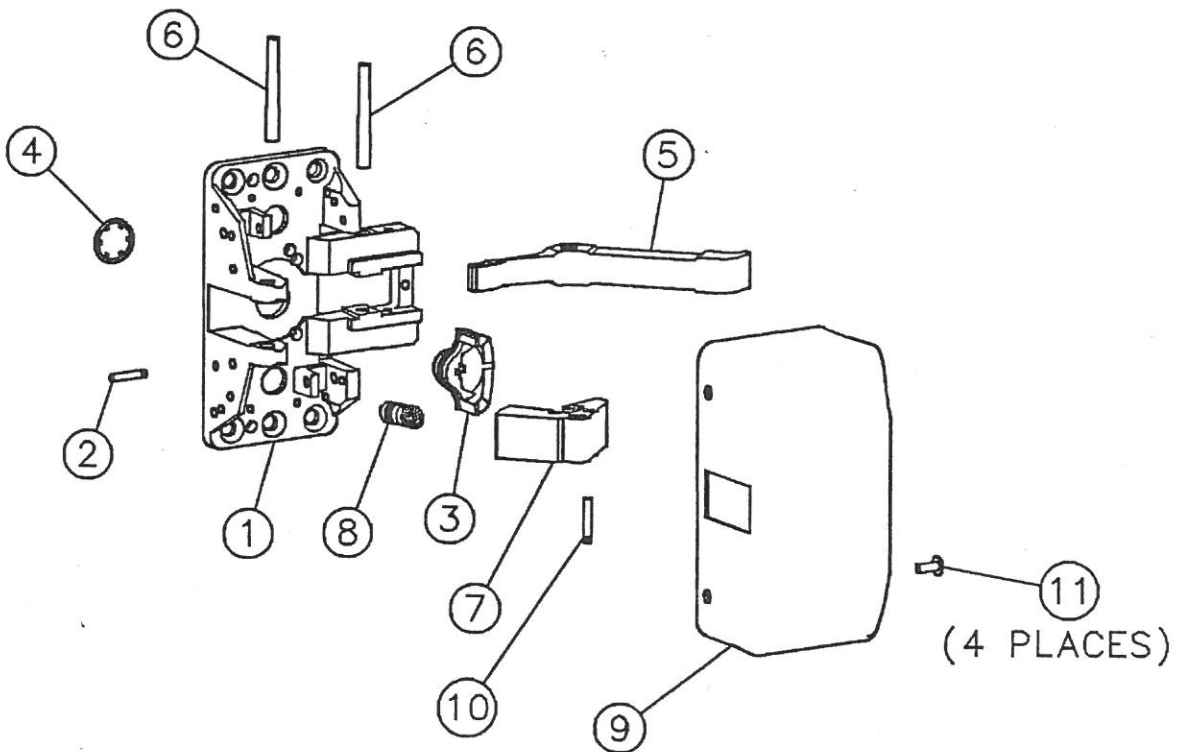
05/06/04

CHASSIS ASSEMBLY  
LESS COVER

2828	ALL FUNCTIONS	LHRB RHRB	28-2408
------	---------------	--------------	---------

ITEM	ASSY NO.	PART NO.	DESCRIPTION	QTY
1		28-0125	CHASSIS	1
2		01-0009	GROOV-PIN	1
3		28-0109	CAM	1
4		01-9167	RETAINING RING	1
5		68-0241	LIFT ARM	1
6		01-4512	PIVOT PIN	2
7		68-1362	LATCHBOLT	1
8		98-0028	LATCHBOLT SPRING	1
9		28-0006	COVER *	1
10		01-0009	GROOV-PIN	1
11		01-1141	COVER SCREW (6-32 X 3/8) *	4
		68-1320	SCREW PACK	1

\* SPECIFY FINISH



20 series  
Parts List

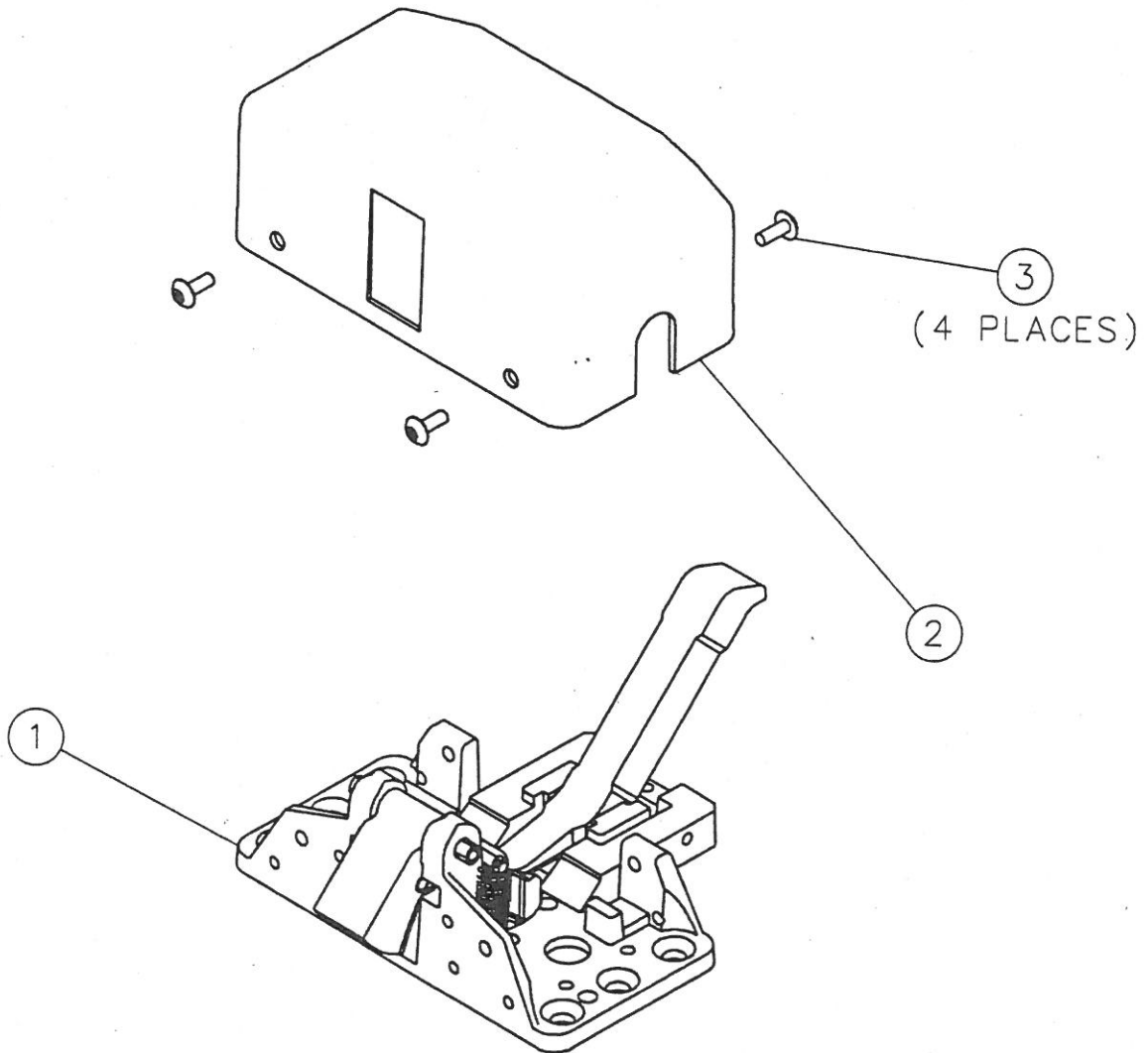
12-2828

Parts List  
Page No. REV.  
28.2 A  
01/20/00

			CHASSIS ASSEMBLY LESS COVER
12-2828	ALL FUNCTIONS	LHRB RHRB	28-2409

ITEM	ASSY NO.	PART NO.	DESCRIPTION	QTY
1		28-2409	CHASSIS ASSEMBLY	1
2		28-0006	COVER *	1
3		01-1141	MACHINE SCREW (TRUSS HEAD) *	4
		28-2064	SCREW PACK	1
		68-2347	STRIKE PACK	1

\* SPECIFY FINISH



# 20 series Parts List

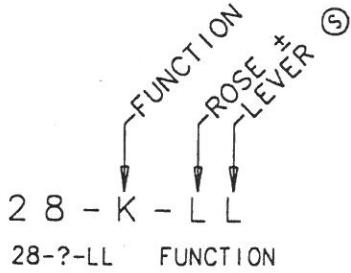
LEVER TRIM  
FOR 20 AND 30 SERIES  
AND ALARMED EXITS

"28-K-LL"

Parts List

Page No 28.3  
Rev A

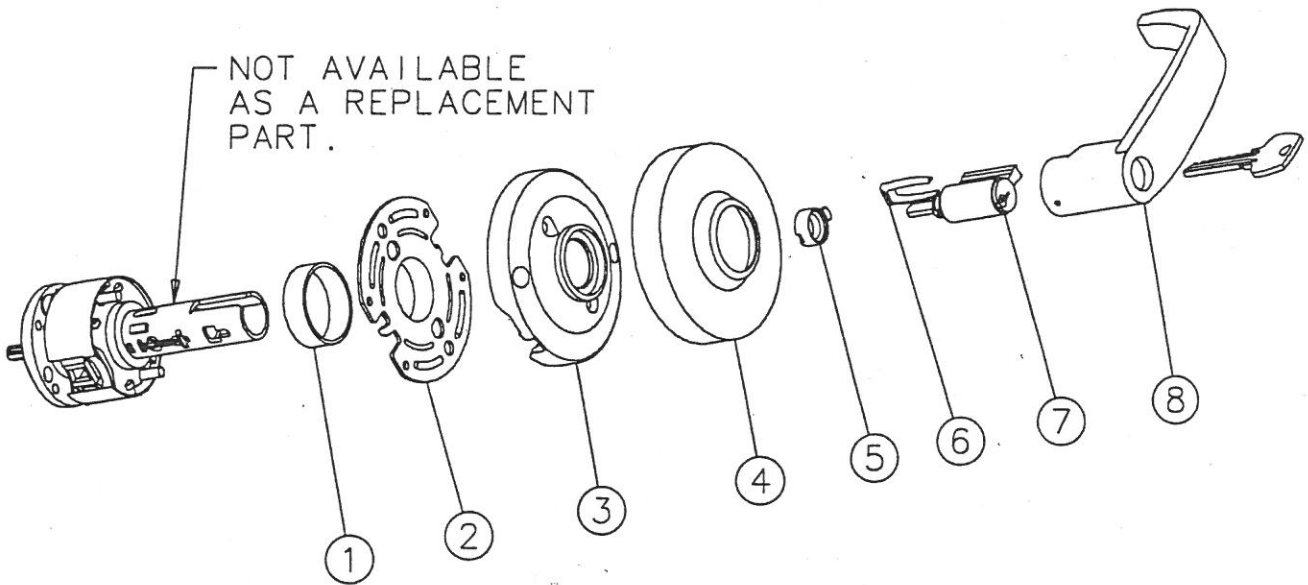
2/2/2000



FUNCTION	QTY
K	04
N	06
C	13
L	15
D	10 **

ITEM	PART NO.	DESCRIPTION	QTY
1	07-0100	SPACER	1
2	07-0105	SUPPORT PLATE	1
3	07-2426	OUTSIDE ROSE ASSEMBLY	1
4	10-0197	ROSE SCALP *	1
5	10-0364	CYLINDER SPACER	1
6	10-0032	CYLINDER RETAINER	1
7	—	CYLINDER * $\phi$	1
8	—	LEVER * ⑤	1
	07-2498	SCREW PACK	1
	07-2496	MOUNTING PLATE PACK	1

- \* SPECIFY FINISH
- $\phi$  SPECIFY 10 LINE CYLINDER BY KEYING REQUIREMENTS
- ⑤ FOR AVAILABLE LEVERS SEE 28.5
- ± "L" ROSE ONLY
- \*\* FOR "28-D-LL" SEE 28.4



# 20 series Parts List

LEVER TRIM  
20 AND 30 SERIES  
AND ALARMED EXITS  
"28-D-LL"

## Parts List

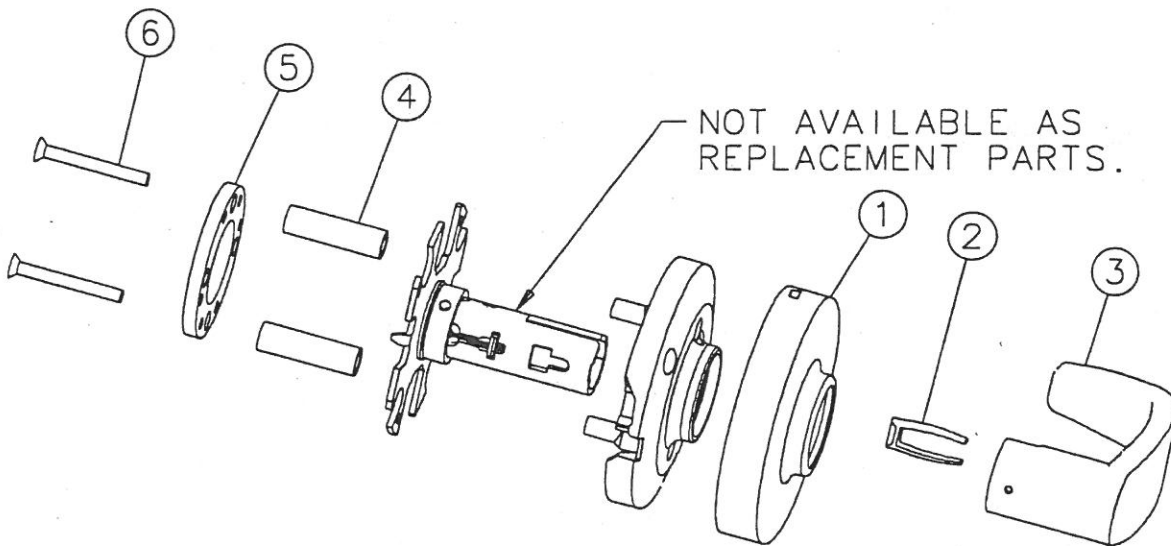
Page No    Rev  
28.4        A

2/2/2000

28-D-LL  
10 FUNCTION

ITEM	PART NO.	DESCRIPTION	QTY
1	10-0197	ROSE SCALP *	1
2	10-0032	CYLINDER RETAINER	1
3	—	LEVER HANDLE * (S)	1
4	07-0123	MOUNTING PLATE SPACER	2
5	07-0116	MOUNTING PLATE	1
6	01-1119	SCREW (#8-32 X 1 1/2)	2
	07-2498	SCREW PACK	1
	07-2499	MOUNTING PLATE PACK	1

\* SPECIFY FINISH  
(S) FOR AVAILABLE LEVERS SEE 28.5



# 20 series Parts List

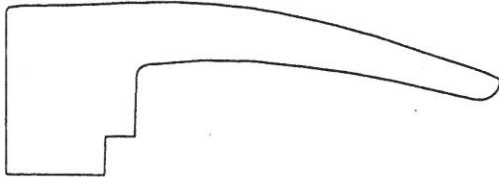
28 LEVER TRIM  
FOR 20 AND 30 SERIES  
AND ALARMED EXITS

## Parts List

Page No    Rev  
28.5        A

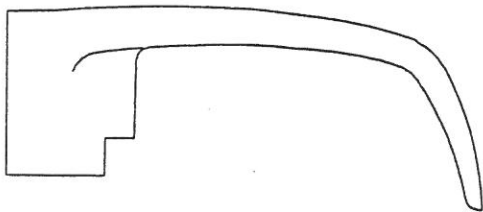
2/2/2000

PART No.	DESCRIPTION
10-2250	PASSAGE
10-2251	STANDARD CYLINDER
10-2305	INTERCHANGEABLE CORE
10-2257	REMOVABLE CORE



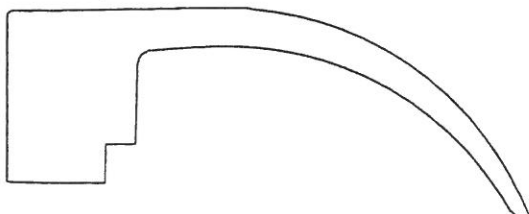
"B" LEVER

PART No.	DESCRIPTION
10-2045	PASSAGE
10-2046	STANDARD CYLINDER
10-2307	INTERCHANGEABLE CORE
10-2079	REMOVABLE CORE



"L" LEVER

PART No.	DESCRIPTION
10-2136	PASSAGE
10-2137	STANDARD CYLINDER
10-2303	INTERCHANGEABLE CORE
10-2143	REMOVABLE CORE



"P" LEVER



# 20 series Parts List

2828  
BEFORE  
02/25/2000

## Parts List

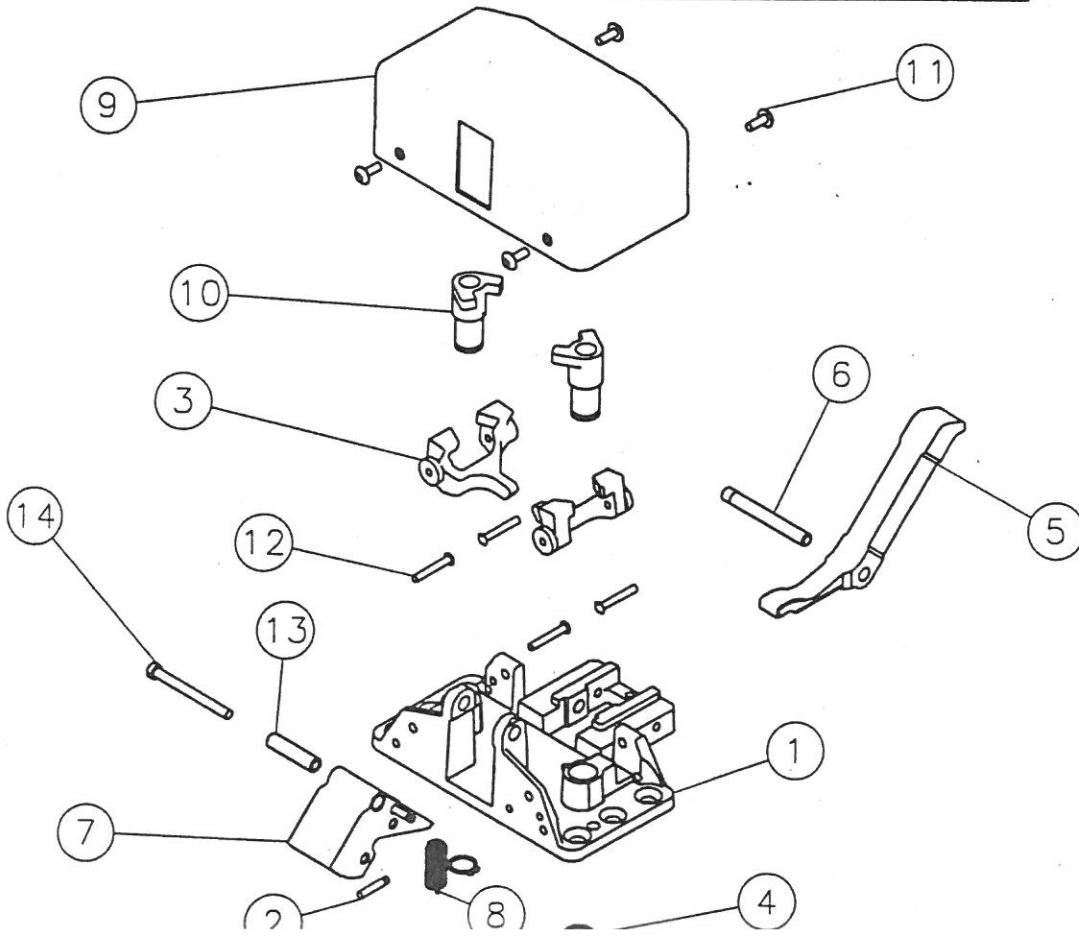
Page No. REV.  
28.6 A  
02/15/00

CHASSIS ASSEMBLY  
LESS COVER

2828	ALL FUNCTIONS	LHRB RHRB	28-2145
------	---------------	--------------	---------

ITEM	ASSY NO.	PART NO.	DESCRIPTION	QTY
1		28-0002	CHASSIS	1
2		01-0008	GROOV-PIN	1
3		28-0038	LATCHBOLT LEVER	2
4		01-0005	RETAINING RING	2
5		68-0241	LIFT ARM	1
6		68-0239	PIVOT PIN	1
7		98-2034	LATCHBOLT	1
8		98-0028	LATCHBOLT SPRING	1
9		28-0006	COVER *	1
10		98-0018	OUTSIDE HUB ASSEMBLY	2
11		01-1141	COVER SCREW (6-32 x 3/8) *	4
12		98-0011	LATCHBOLT LEVER PIVOT PIN	4
13		97-0040	BUSHING	1
14		01-0013	MACHINE SCREW 8-32 x 1 5/8"	1
		68-1320	SCREW PACK	1

\* SPECIFY FINISH



20 series  
Parts List

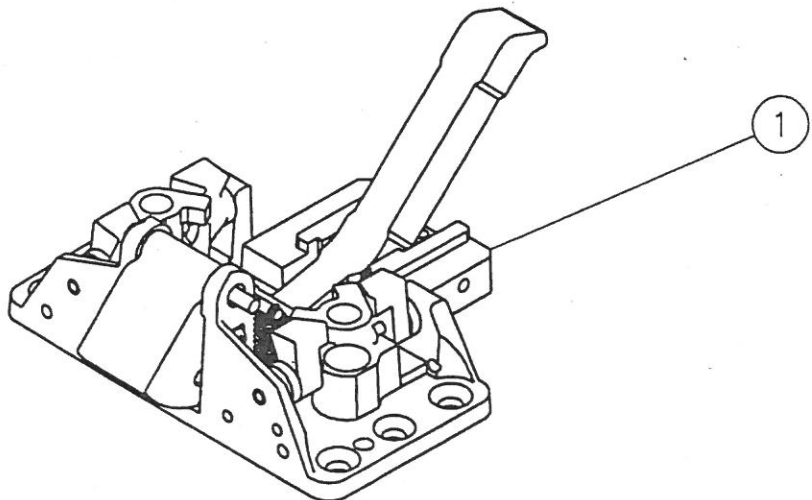
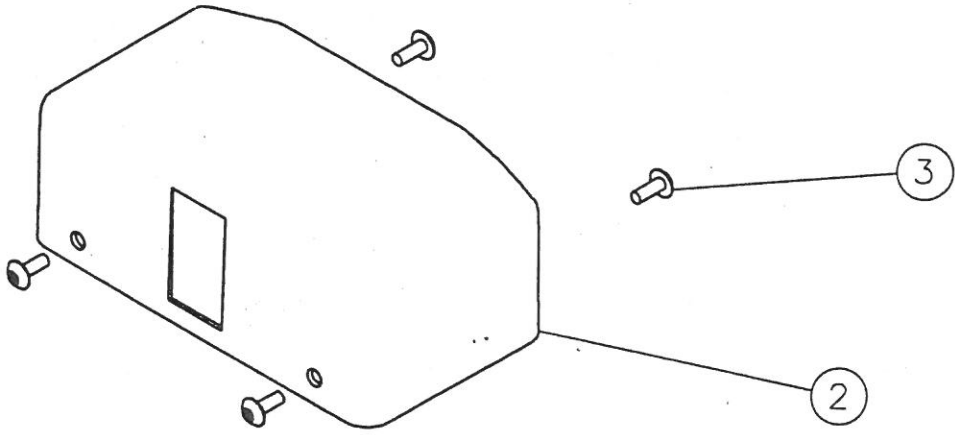
12-2828  
BEFORE  
02/25/2000

Parts List  
Page No. REV.  
28.7 A  
02/15/00

		CHASSIS ASSEMBLY LESS COVER	
12-2828	ALL FUNCTIONS	LHRB RHRB	28-2146

ITEM	ASSY NO.	PART NO.	DESCRIPTION	QTY
1		28-2146	CHASSIS ASSEMBLY	1
2		28-0006	COVER *	1
3		01-1141	COVER SCREW (6-32 x 3/8) *	1
		68-1320	SCREW PACK	1

\* SPECIFY FINISH



# 20 series Parts List

## PULL TRIM GTB & HTB

### Parts List

Page No. REV.  
28.8 A

2/2/2000

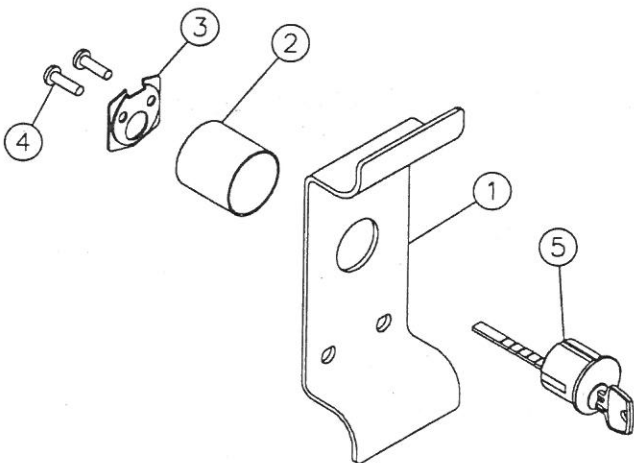
			TRIM ASSEMBLY LESS SCREW PACK
28-K-GTB	Ø4 FUNCTION	LHRB RHRB	28-2015
28-K-HTB	Ø4 FUNCTION	LHRB RHRB	28-2459

ITEM	ASSY NO.	PART NO.	DESCRIPTION	QTY
1		28-0031	GTB PULL *	1
		28-0101	HTB PULL *	
2		28-0025	CYLINDER SLEEVE	1
3		13-0086	CYLINDER BACK PLATE	1
4		01-1189	RETAINING SCREW	2
5		—	CYLINDER * Ø	1
		28-2017	SCREW PACK 1 3/4" DOORS * ▣	1
		28-2018	SCREW PACK 2 1/4" DOORS * ▣	

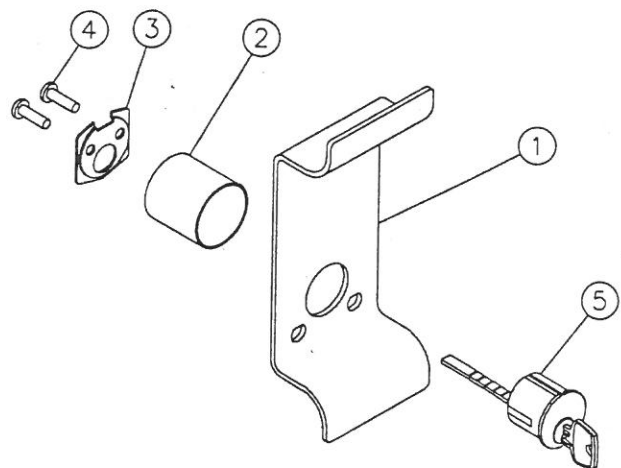
\* SPECIFY FINISH

Ø SPECIFY #34 RIM CYLINDER BY KEYING REQUIREMENTS

▣ SPECIFY STANDARD OR FIRE RATED



28-K-HTB



28-K-GTB

HTB USED WITH 20 AND 30 SERIES  
EXIT DEVICES MADE AFTER APRIL 07, 2000  
AND 2700 MADE BEFORE APRIL 07, 2000

GTB USED WITH 2800 EXIT DEVICES  
MADE BEFORE APRIL 07, 2000  
AND ALL 5100 AND 5800 ALARMED EXITS

# 20 series Parts List

KNOB TRIM  
2Ø AND 3Ø SERIES  
AND ALARMED EXITS  
"28-K-OB"

Parts List  
Page No. REV.  
28.9 A  
2/2/2000

ITEM	ASSY NO.	PART NO.	DESCRIPTION	QTY
1		06-5006	OUTSIDE ROSE ASSEMBLY *	1
2		06-0512	COLLAR *	1
3		—	CYLINDER * $\phi$	1
4		06-0500	KNOB (CYLINDER) *	1
		06-0502	KNOB (PLAIN) *	
5		07-0116	MOUNTING PLATE	1
6		01-1358	SCREW (PLATE TO HOUSING) (10-32 X 5/8)	2
7		01-1204	SCREW (EXIT CHASSIS TO PLATE) (10-32 X 3/4)	2

\* SPECIFY FINISH  
 $\phi$  SPECIFY 6 LINE CYLINDER BY KEYING  
REQUIREMENTS.  
NOTE: TRIM AVAILABLE IN THE FOLLOWING  
PREFIXES: 10-, 10-21-, AND 21-  
NOTE: TRIM IS ONLY AVAILABLE WITH  
"O" ROSE AND "B" KNOB

FUNCTION  
ROSE  
KNOB

28 - K - O B

28-?-OB    FUNCTION

K	04
C	13
L	15

