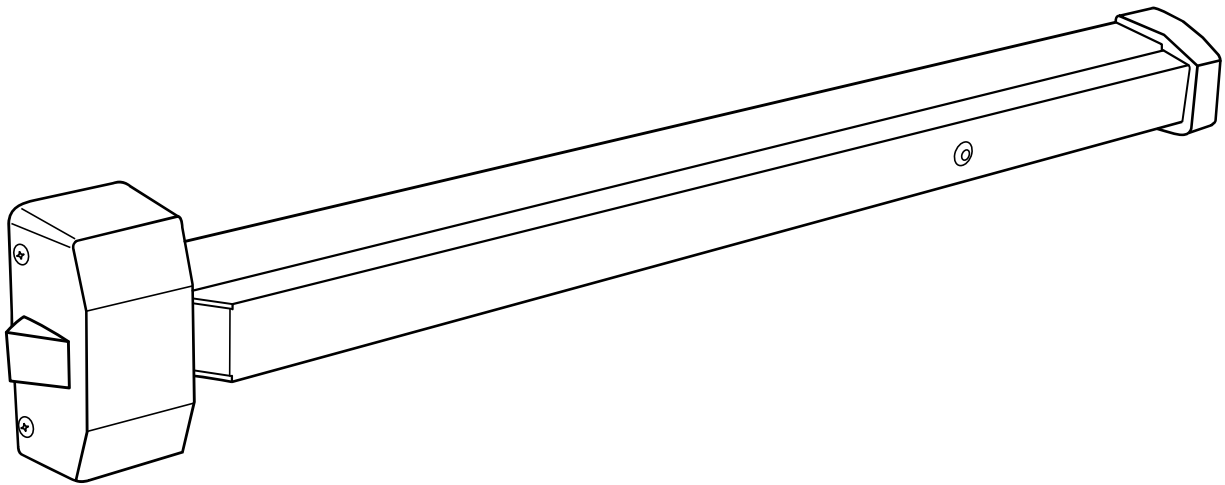


20 & 30 Series

Lever Trim

Exit Devices



WARNING

This product can expose you to lead which is known to the state of California to cause cancer and birth defects or other reproductive harm. For more information go to www.P65warnings.ca.gov.

TOC	Table of Contents
1	Lever Trim for 20 & 30 Series and Alarmed Exits 28-K-LL.....3
2	Lever Trim for 20 & 30 Series and Alarmed Exits 28-D-LL.....4
3	Lever Trim for 20 & 30 Series and Alarmed Exits 285
4	Pull Trim for 20 Series GTB and HTB6
5	Knob Trim for 20 & 30 Series and Alarmed Exits 28-K-OB7
6	3727 or 3828 for 30 Series8
7	16-3727 or 16-3828 for 30 Series 10
8	12-3727 or 12-3828 for 30 Series 12
9	3727 for 30 Series 13
10	3828 for 30 Series 19

1

Lever Trim for 20 & 30 Series and Alarmed Exits 28-K-LL

28 - K - L L	
28-7-LL	Function
K	04
N	06
C	13
L	15
D	10 **

Function
Rose ±
Lever §

Item Number	Part Number	Description	Qty.
1	07-0100	Spacer	1
2	07-0105	Support Plate	1
3	07-2426	Outside Rose Assembly	1
4	10-0197	Rose Scalp *	1
5	10-0364	Cylinder Spacer	1
6	10-0032	Cylinder Retainer	1
7	-	Cylinder * Ø	1
8	-	Lever * §	1
	07-2498	Screw Pack	1
	07-2496	Mounting Plate Pack	1

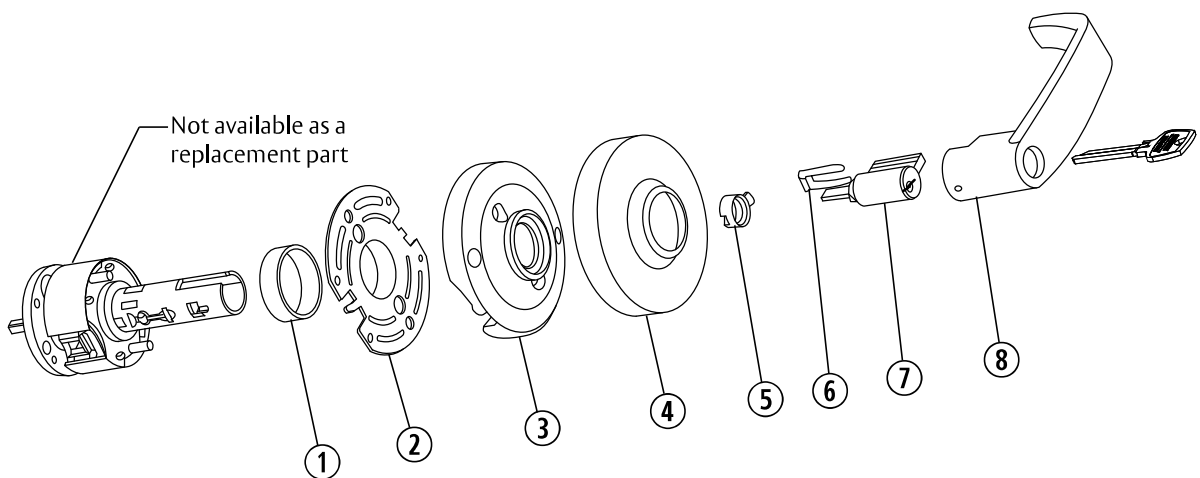
* Specify finish

Ø Specify 10 Line cylinder by keying requirements

§ For available levers see Section 3, page 5

± "L" rose only

** For "28-D-LL" see Section 2, page 4



2

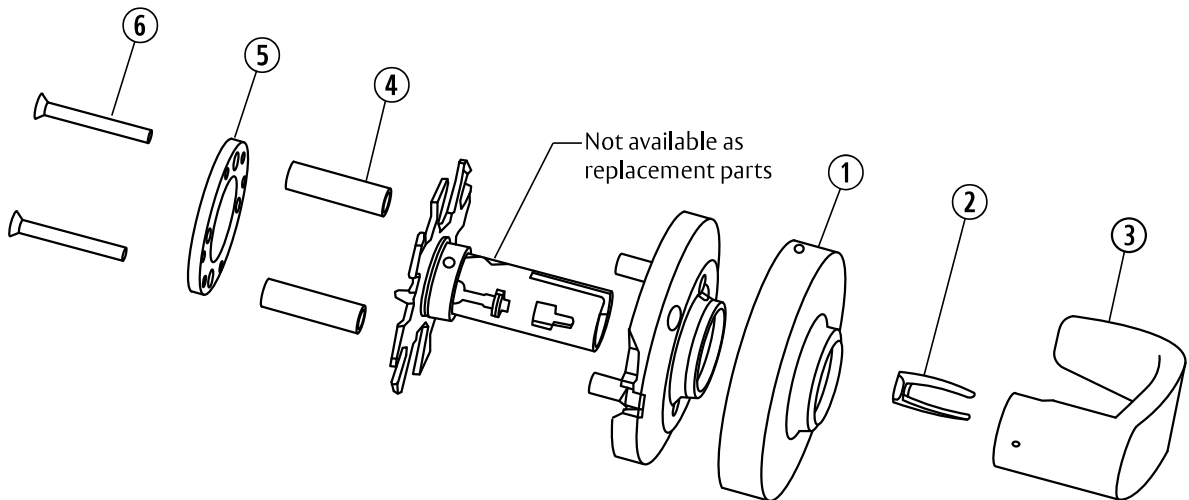
Lever Trim for 20 & 30 Series and Alarmed Exits 28-D-LL

28-D-LL
10 Function

Item Number	Part Number	Description	Qty.
1	10-0197	Rose Scalp *	1
2	10-0032	Cylinder Retainer	1
3	-	Lever Handle * §	1
4	07-0123	Mounting Plate Spacer	2
5	07-0116	Mounting Plate	1
6	01-1119	Screw (8-32 x 1-1/2)	2
	07-2498	Screw Pack	1
	07-2499	Mounting Plate Pack	1

* Specify finish

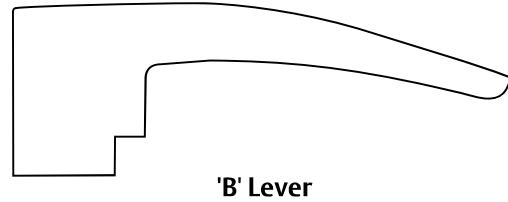
§ For available levers see Section 3, page 5



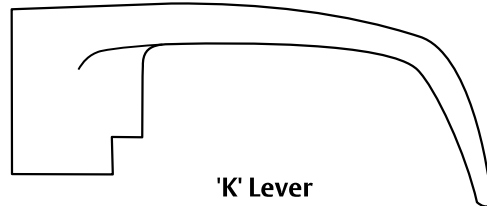
3

Lever Trim for 20 & 30 Series and Alarmed Exits 28

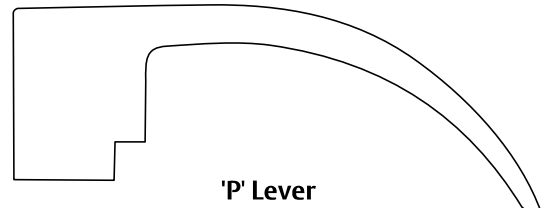
Part Number	'B' Lever Description
10-2250	Passage
10-2251	Standard Cylinder
10-2305	Interchangeable Core
10-2257	Removable Core



Part Number	'L' Lever Description
10-2045	Passage
10-2046	Standard Cylinder
10-2307	Interchangeable Core
10-2079	Removable Core



Part Number	'P' Lever Description
10-2136	Passage
10-2137	Standard Cylinder
10-2303	Interchangeable Core
10-2143	Removable Core



4

Pull Trim for 20 Series GTB and HTB

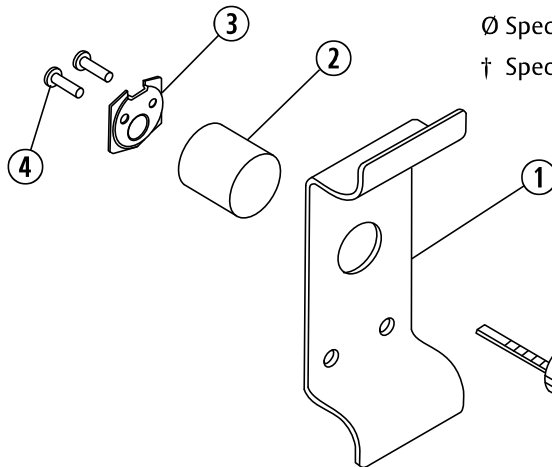
Trim Assembly Less Screw Pack			
28-K-GTB	04 Function	LHRB RHRB	28-2015
28-K-HTB	04 Function	LHRB RHRB	28-2459

Item Number	Part Number	Description	Qty.
1	28-0031	GTB Pull *	1
	28-0101	HTB Pull *	
2	28-0025	Cylinder Sleeve	1
3	13-0086	Cylinder Backplate	1
4	01-1189	Retaining Screw	2
5	-	Cylinder * Ø	1
	28-2017	Screw Pack for 1-3/4 Doors * †	1
	28-2018	Screw Pack for 2-1/4 Doors * †	

* Specify finish

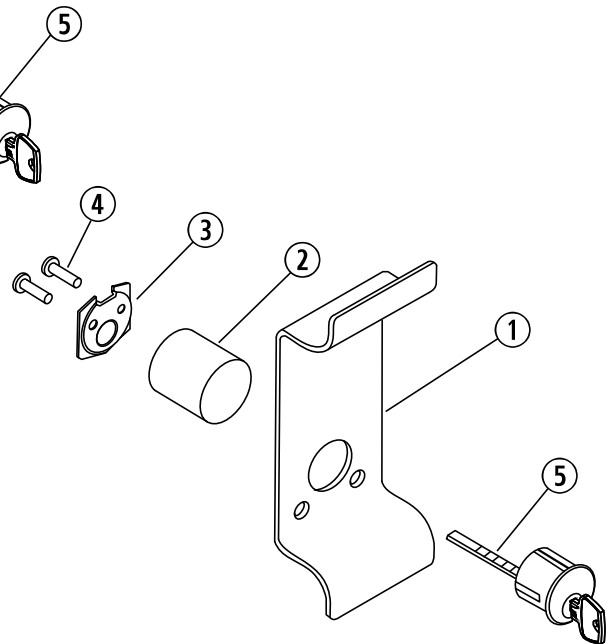
Ø Specify #34 rim cylinder by keying requirements

† Specify standard or fire rated



28-K-HTB

HTB used with 20 and 30 Series exit devices made after April 07, 2000 and 2700 made before April 07, 2000



28-K-GTB

GTB used with 2800 exit devices made before April 07, 2000 and all 5100 and 5800 alarmed exits

5

Knob Trim for 20 & 30 Series and Alarmed Exits 28-K-OB

↙ Function
 ↘ Rose
 ↘ Knob

28-K-OB	
28-?-OB	Function
K	04
C	13
L	15

Item Number	Part Number	Description	Qty.
1	06-5006	Outside Rose Assembly *	1
2	06-0512	Collar *	1
3	-	Cylinder * Ø	1
4	06-0500	Knob (Cylinder) *	1
	06-0502	Knob (Plain) *	
5	07-0116	Mounting Plate	1
6	01-1358	Screw (Plate to Housing) 10-32 x 5/8	2
7	01-1204	Screw (Exit Chassis to Plate) 10-32 x 3/4	2

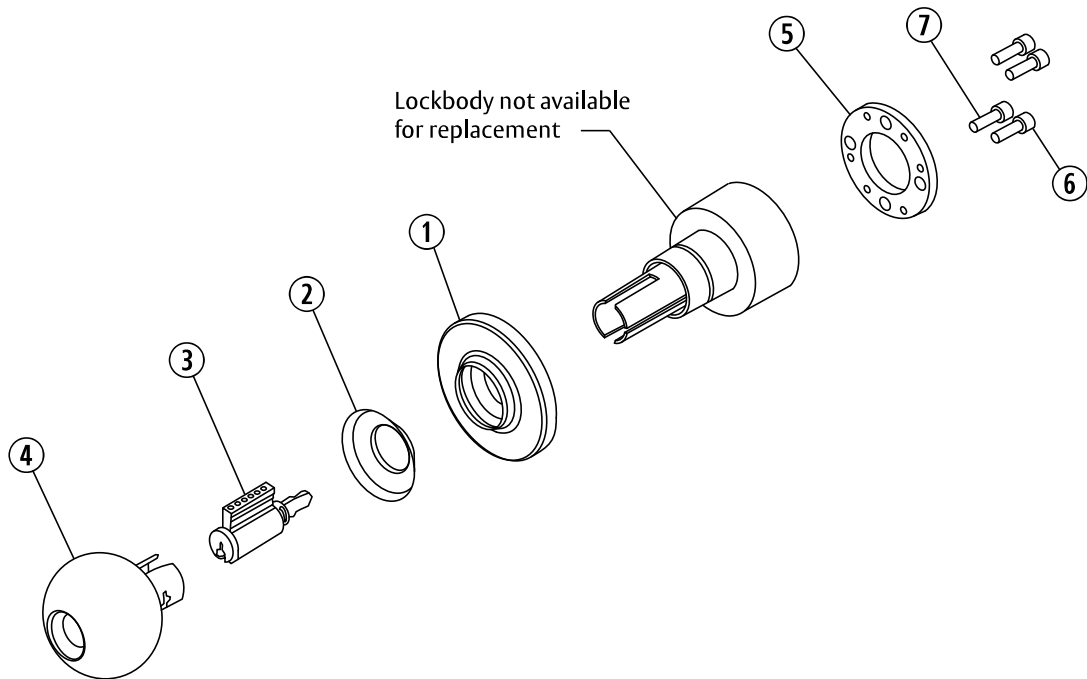
* Specify finish

Ø Specify 6 Line cylinder by keying requirements

Note:

Trim available in the following prefixes: 10-, 10-21-, and 21-

Trim is only available with "O" rose and "B" knob



6

3727 or 3828 for 30 Series

Rail Assembly Less End Cap and Mounting Bracket			
3727 and 3828	Standard Dogging Rail	E	28-2446
		F	28-2447
		G	28-2448

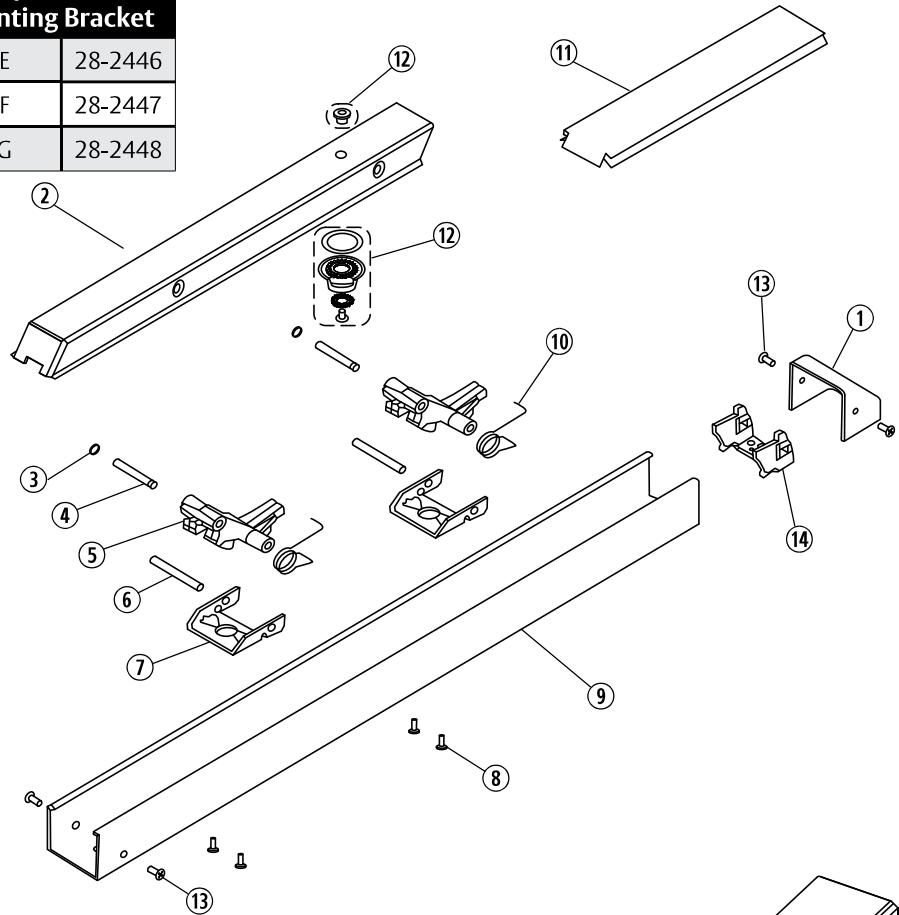
Item Number	Assembly Number	Part Number	Description	Qty.	
1		28-0110	End Cap *	1	
2	28-2446 (E)	68-0736	Push Rail (E) *	1	
		68-0737	Push Rail (F) *		
		68-0738	Push Rail (G) *		
3		01-0098	Retaining Ring	2	
4		68-0229	Pivot Pin (Push Rail w/ "D") *	2	
		68-1442	Pivot Pin (Push Rail w/o "D") *		
5		68-3609	Connecting Arm Assembly	2	
6		68-0945	Pivot Pin (Mounting Rail)	2	
7		28-2447 (F)	68-0943	Bracket (Connecting Arm)	2
8		01-1236	Screw (#6-32 x 3/8) *	4	
9	28-2448 (G)	68-0950	Mounting Rail (E) *	1	
		68-0951	Mounting Rail (F) *		
		68-0949	Mounting Rail (G) *		
10	68-0236	Spring	2		
11	68-0550	Mounting Rail Insert (E) *	1		
	68-0549	Mounting Rail Insert (F) *			
	68-0551	Mounting Rail Insert (G) *			
12	68-2596	Lockdown Button Kit	1		
13	01-1141	Screw (#8-32 x 3/8) *	4		
14	68-3367	Mounting Plate Pack	1		

* Specify finish

6

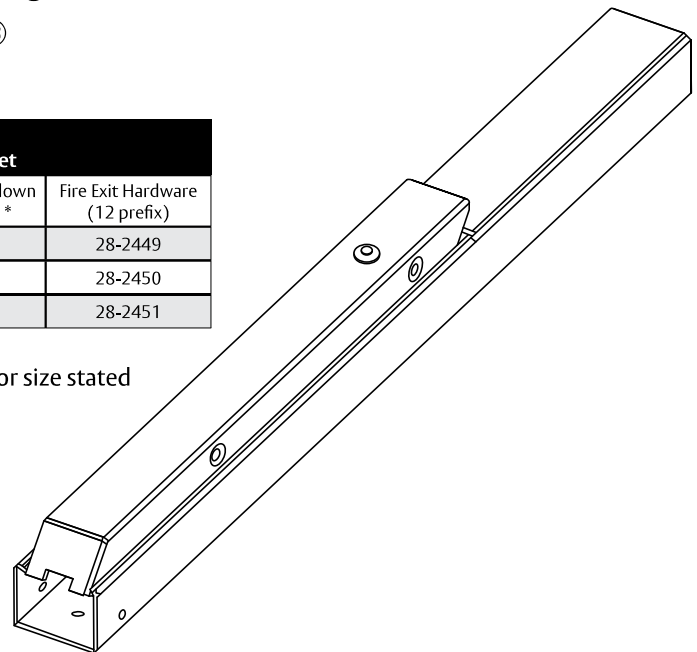
3727 or 3828 for 30 Series, continued

Rail Assembly Less End Cap and Mounting Bracket			
3727 and 3828	Standard Dogging Rail	E	28-2446
		F	28-2447
		G	28-2448



Rail Assembly Less End Cap and Mounting Bracket				
Size	Door Width	Cam Lockdown (No prefix)	Cylinder Lockdown (16 prefix) *	Fire Exit Hardware (12 prefix)
E	24" - 32"	28-2446	28-2452	28-2449
F	32" - 36"	28-2447	28-2453	28-2450
G	36" - 48"	28-2448	28-2454	28-2451

* For cylinder lockdown add 2" to minimum door size stated



Rail Assembly Less End Cap and Mounting Bracket			
16-3727 and 16-3828	Cylinder Dogging Rail	E	28-2452
		F	28-2453
		G	28-2454

Item Number	Assembly Number	Part Number	Description	Qty.
1		28-0110	End Cap *	1
2	28-2452 (E)	68-0736	Push Rail (E) *	1
		68-0737	Push Rail (F) *	
		68-0738	Push Rail (G) *	
3		01-0098	Retaining Ring	2
4	28-2452 (E)	68-0229	Pivot Pin (Push Rail w/ "D") *	2
		68-1442	Pivot Pin (Push Rail w/o "D") *	
5		68-3609	Connecting Arm Assembly	2
6	28-2452 (E)	68-0945	Pivot Pin (Mounting Rail)	2
7	28-2452 (E)	68-0943	Bracket (Connecting Arm)	2
8	28-2453 (F)	01-1236	Screw (#6-32 x 3/8) *	4
9	28-2454 (G)	68-0950	Mounting Rail (E) *	1
		68-0951	Mounting Rail (F) *	
		68-0949	Mounting Rail (G) *	
10		68-0236	Spring	2
11	28-2454 (G)	68-3001	Mounting Rail Insert (F) *	1
		68-3003	Mounting Rail Insert (E and G) *	
12		01-0798	Hole Plug *	1
13		68-0772	Filler	1
14		01-1220	Screw (#6-32 x 3/8)	1
15		68-3020	Lockdown Cam Assembly	1
16		01-1141	Screw (#8-32 x 3/8) *	4
17		68-3367	Mounting Pack (Includes Item #17)	1
18		68-0701	Cylinder Nut	1
19		97-0349	Cylinder Ring #41 Cylinder *	1
20		-	Cylinder * †	1

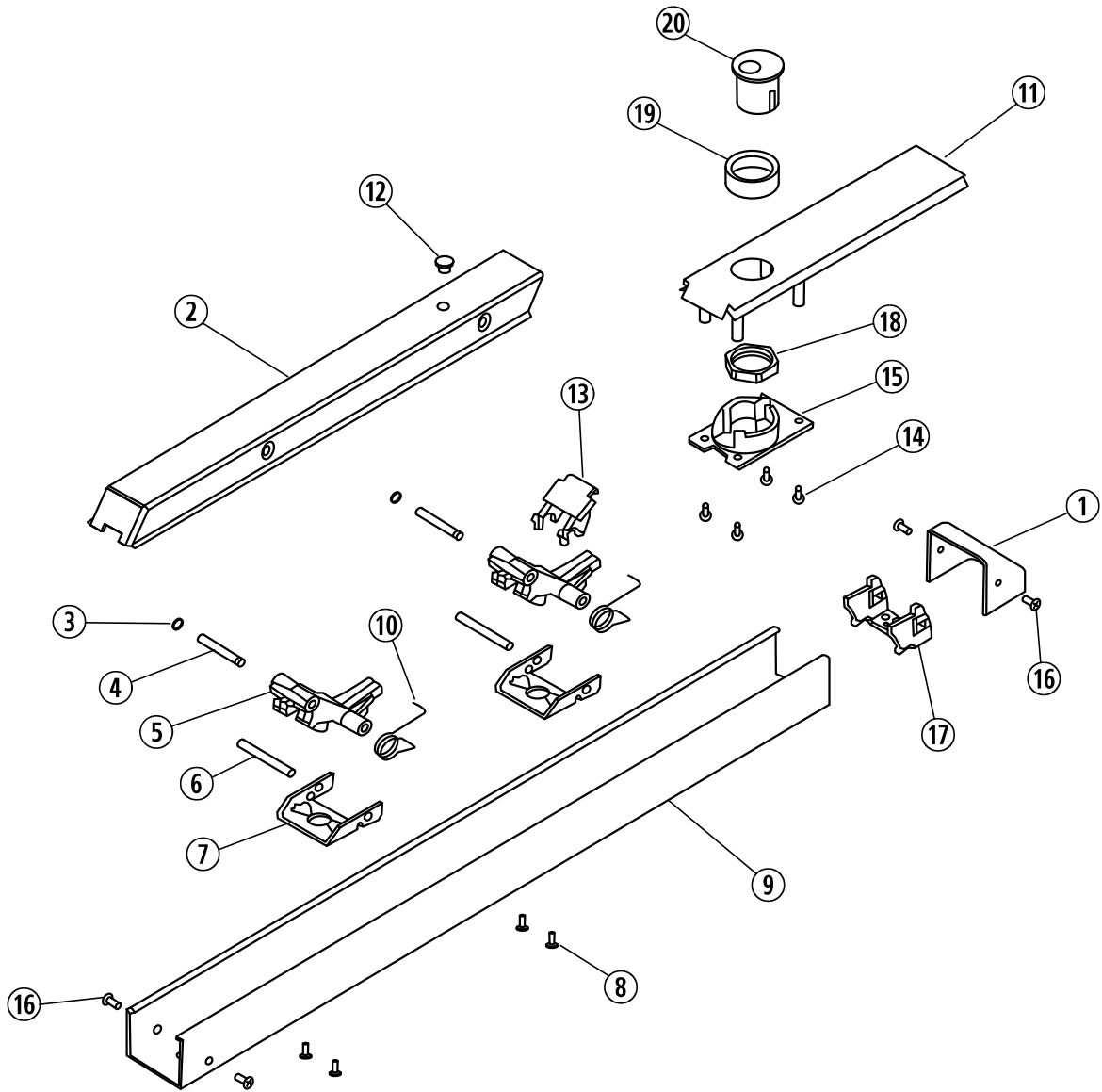
* Specify finish

† Specify #41 cylinder by keying requirements

7

16-3727 or 16-3828 for 30 Series, continued

Rail Assembly Less End Cap and Mounting Bracket			
16-3727 and 16-3828	Cylinder Dogging Rail	E	28-2452
		F	28-2453
		G	28-2454



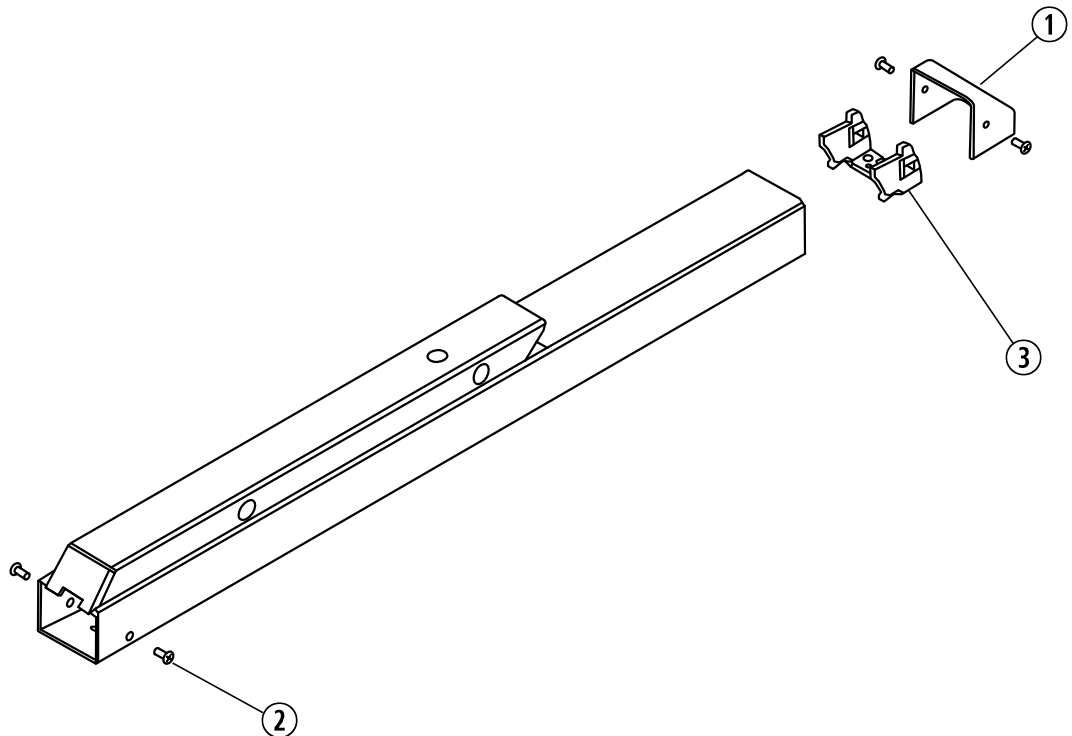
8

12-3727 or 12-3828 for 30 Series

Rail Assembly Less End Cap and Mounting Bracket			
12-3727 and 12-3828	Fire Rated No Dogging Rail	E	28-2449
		F	28-2450
		G	28-2451

Item Number	Part Number	Description	Qty.
1	28-0110	End Cap *	1
2	01-1141	Screw (#8-32 x 3/8) *	4
3	68-3367	Mounting Plate Pack	1

* Specify finish

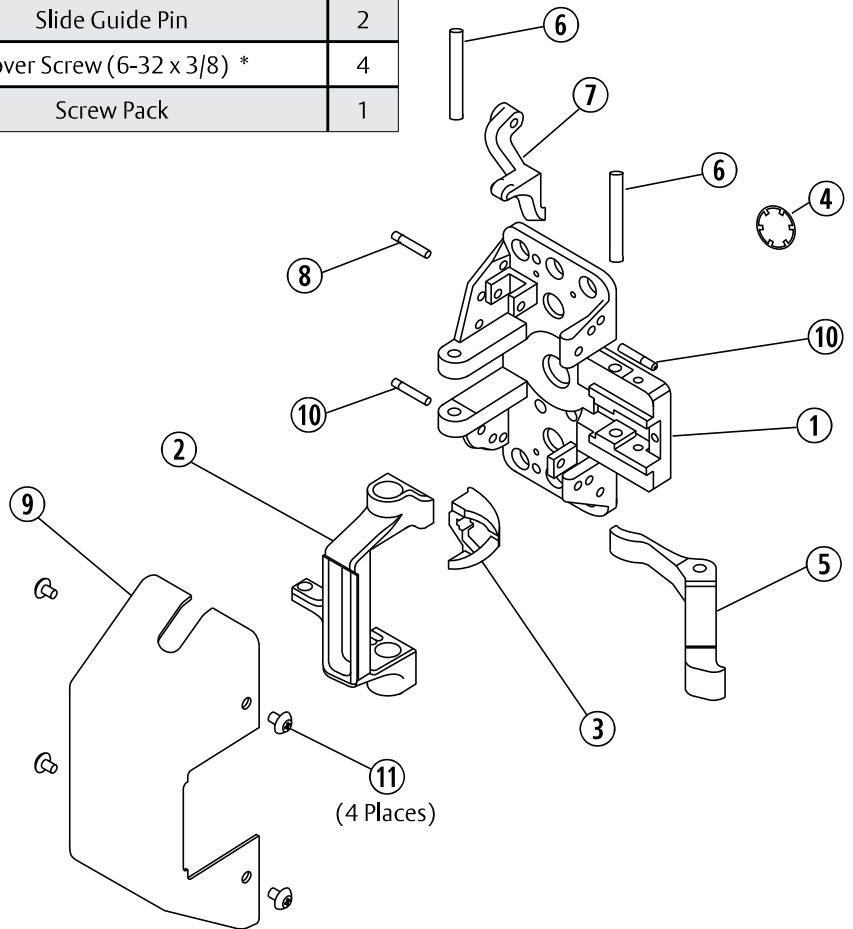


Chassis Assembly Less Cover

3727	All Functions	LHRB RHRB	28-2427 28-2428
------	---------------	--------------	--------------------

Item Number	Part Number	Description	Qty.
1	28-0125	Chassis	1
2	28-0035	Main Slide	1
3	28-0109	Cam	1
4	01-9167	Retaining Ring	1
5	68-0241	Lift Arm	1
6	01-4512	Pivot Pin	2
7	28-0036	Lift Lever	1
8	28-0026	Pivot Pin (Lift Lever)	1
9	28-0116	Cover *	1
10	28-0037	Slide Guide Pin	2
11	01-1141	Cover Screw (6-32 x 3/8) *	4
	68-1320	Screw Pack	1

* Specify finish



Chassis Assembly With Cover

3727	All Functions	LHRB RHRB	28-2491
------	---------------	--------------	---------

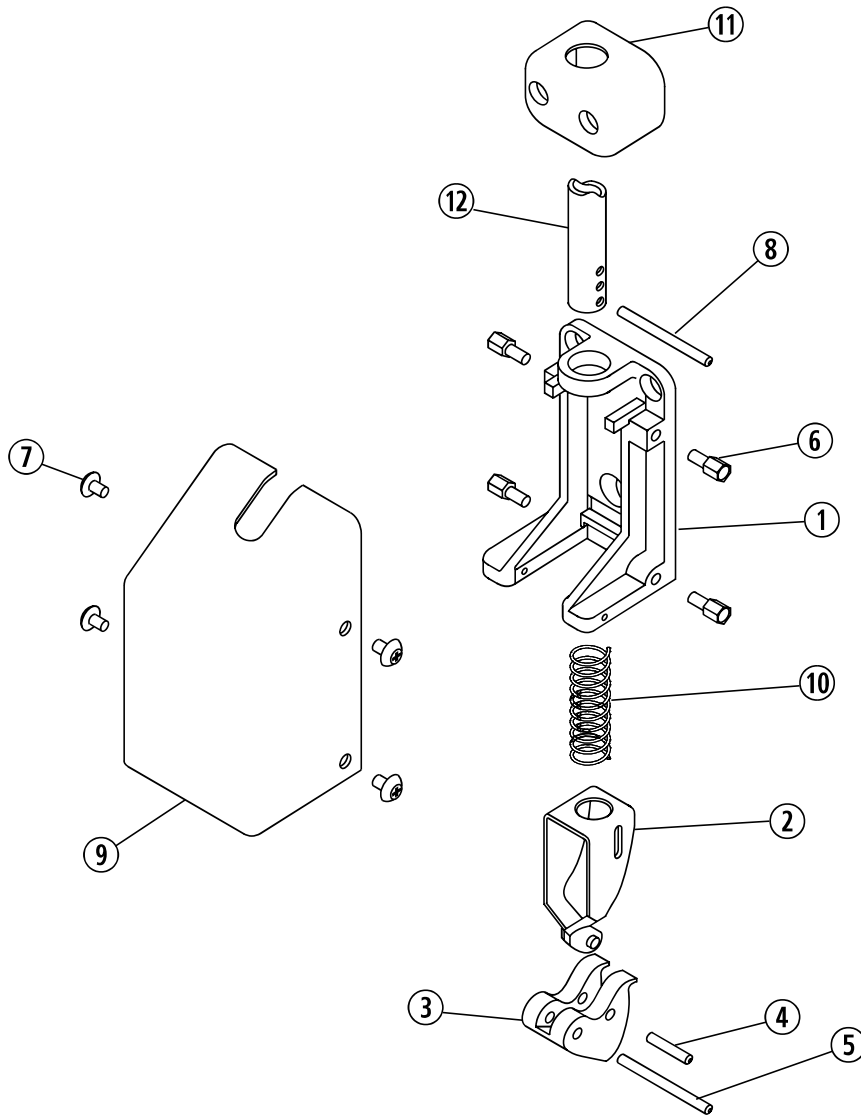
Item Number	Assy Number	Part Number	Description	Qty.
1	97-2038	97-0025	Chassis (Bottom)	1
2		97-0035	Retractor	1
3		97-0053	Latchbolt	1
4		97-0048	Pivot Pin (Latchbolt)	1
5		68-1094	Spirol Pin	1
6		01-4514	Standoff	4
7		01-4515	Machine Screw (Truss Head) *	4
8		97-0048	Bottom Rod Adj. Pin	1
9		28-0119	Cover *	1
10		97-0101	Spring	1
11		97-0020	Rod Guide *	1
12		97-0034	Bottom Rod * †	1
		68-2113	Screw Pack (Bottom and Top Cases)	1
		624	Standard Bottom Strike Pack	1

* Specify finish

† Specify with or without threshold and crossbar height

Chassis Assembly With Cover

3727	All Functions	LHRB RHRB	28-2491
------	---------------	--------------	---------



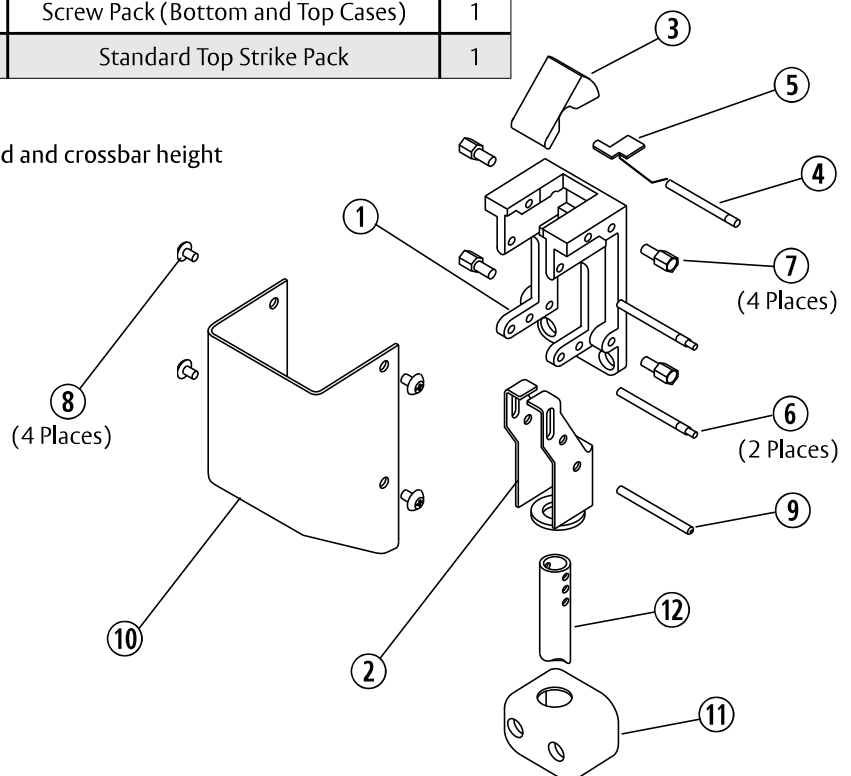
Chassis Assembly With Cover

3727	All Functions	LHRB RHRB	28-2494
------	---------------	--------------	---------

Item Number	Assy Number	Part Number	Description	Qty.
1	97-2433	97-0295	Chassis (Top)	1
2		97-0298	Top Slide	1
3		97-0296	Latchbolt	1
4		97-0294	Pivot Pin (Latchbolt)	1
5		97-0300	Spring	1
6		97-0046	Top Case Retaining Pin	2
7		01-4514	Standoff	4
8		01-4515	Machine Screw (Truss Head) *	4
9		97-0048	Bottom Rod Adj. Pin	1
10		28-0119	Cover *	1
11		97-0020	Rod Guide *	1
12		97-0034	Top Rod * †	1
		68-2113	Screw Pack (Bottom and Top Cases)	1
		629	Standard Top Strike Pack	1

* Specify finish

† Specify with or without threshold and crossbar height



9

3727 for 30 Series, continued

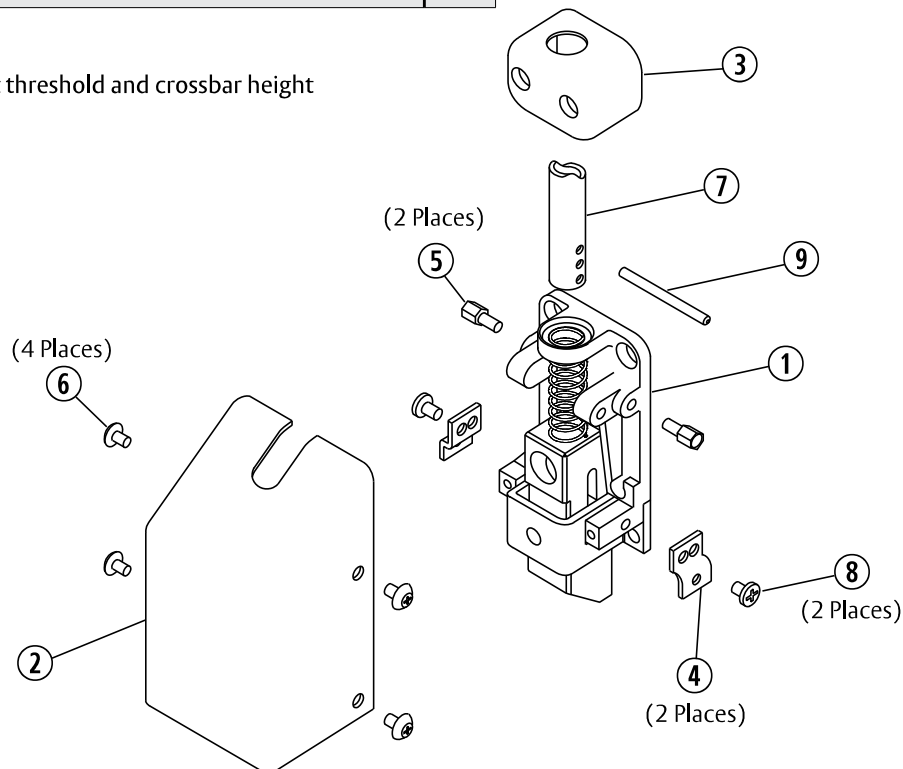
Chassis Assembly With Cover

12-3727	All Functions	LHRB RHRB	28-2492
---------	---------------	--------------	---------

Item Number	Part Number	Description	Qty.
1	97-2002	Chassis Assembly (Bottom)	1
2	28-0119	Cover *	1
3	97-0020	Rod Guide *	1
4	28-0127	Cover Bracket	2
5	01-4514	Standoff	4
6	01-4515	Machine Screw (Truss Head) *	4
7	97-0034	Bottom Rod * †	1
8	01-3595	Machine Screw (Round Head)	2
9	97-0048	Bottom Rod Adj. Pin	1
	68-2113	Screw Pack (Bottom and Top Cases)	1
	646	Adjustable Strike Pack	4
	655	Flat Strike Pack	1

* Specify finish

† Specify with or without threshold and crossbar height



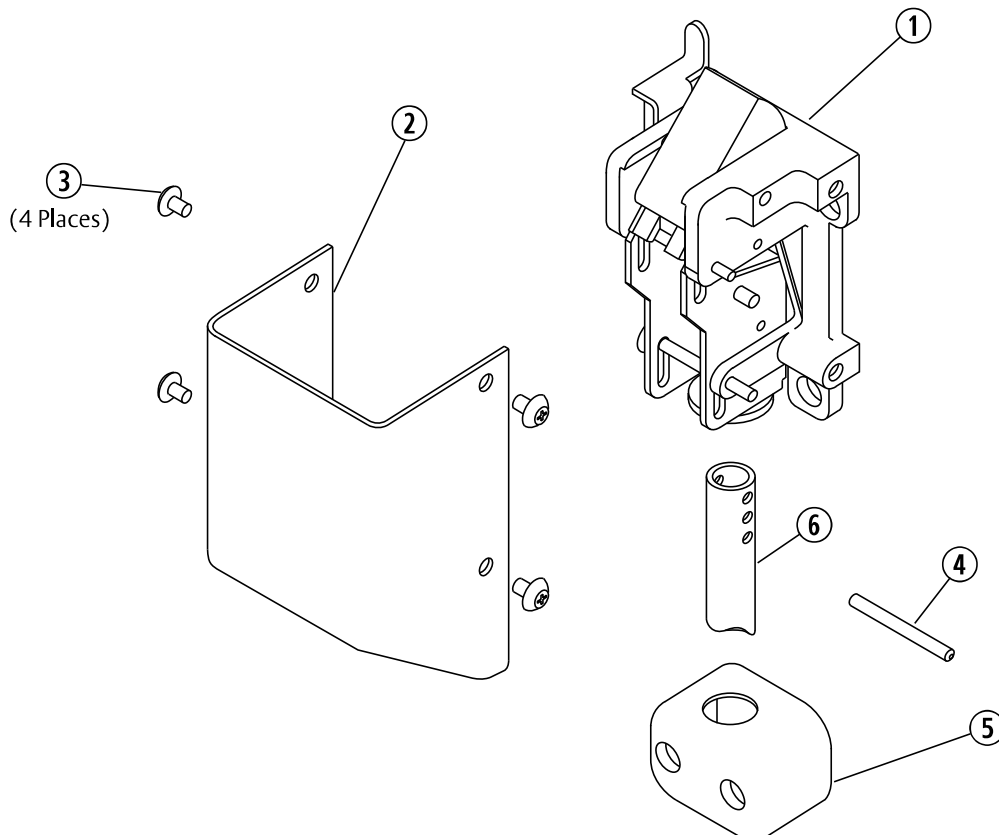
Chassis Assembly With Cover

12-3727	All Functions	LHRB RHRB	28-2493
---------	---------------	--------------	---------

Item Number	Part Number	Description	Qty.
1	97-2963	Chassis Assembly (Top)	1
2	28-0119	Cover *	1
3	01-4515	Machine Screw (Truss Head) *	4
4	97-0048	Bottom Rod Adj. Pin	1
5	97-0020	Rod Guide *	1
6	97-0034	Top Rod * †	1
	68-2113	Screw Pack (Bottom and Top Cases)	1
	646	Standard Top Strike Pack	1

* Specify finish

† Specify with or without threshold and crossbar height



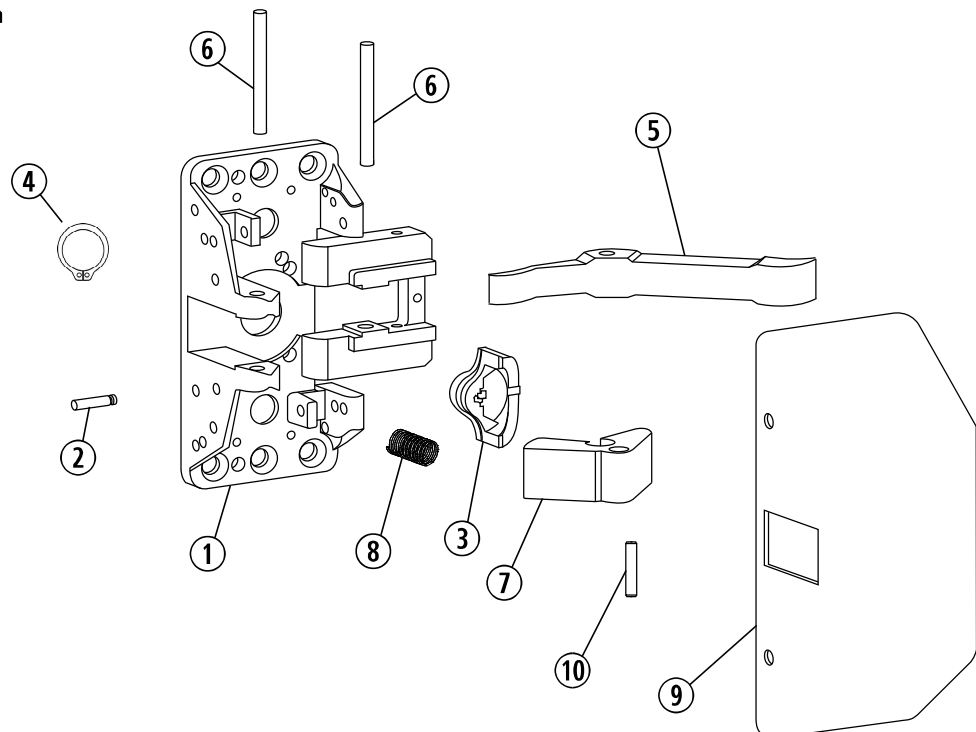
10

3728 for 30 Series

Rail Assembly Less End Cap and Mounting Bracket			
3728	All Functions	LHRB RHRB	28-2408

Item Number	Part Number	Description	Qty.
1	28-0125	Chassis	1
2	01-0009	Groov-Pin	1
3	28-0109	Cam	1
4	01-0005	Retaining Ring	1
5	68-0241	Lift Arm	1
6	01-4512	Pivot Pin	2
7	68-1362	Latchbolt	1
8	98-0028	Latchbolt Spring	1
9	28-0111	Cover *	1
10	01-0009	Groov-Pin	1
	01-1141	Cover Screw (6-32 x 3/8) *	4
	28-2026	Screw Pack	1

* Specify finish



10

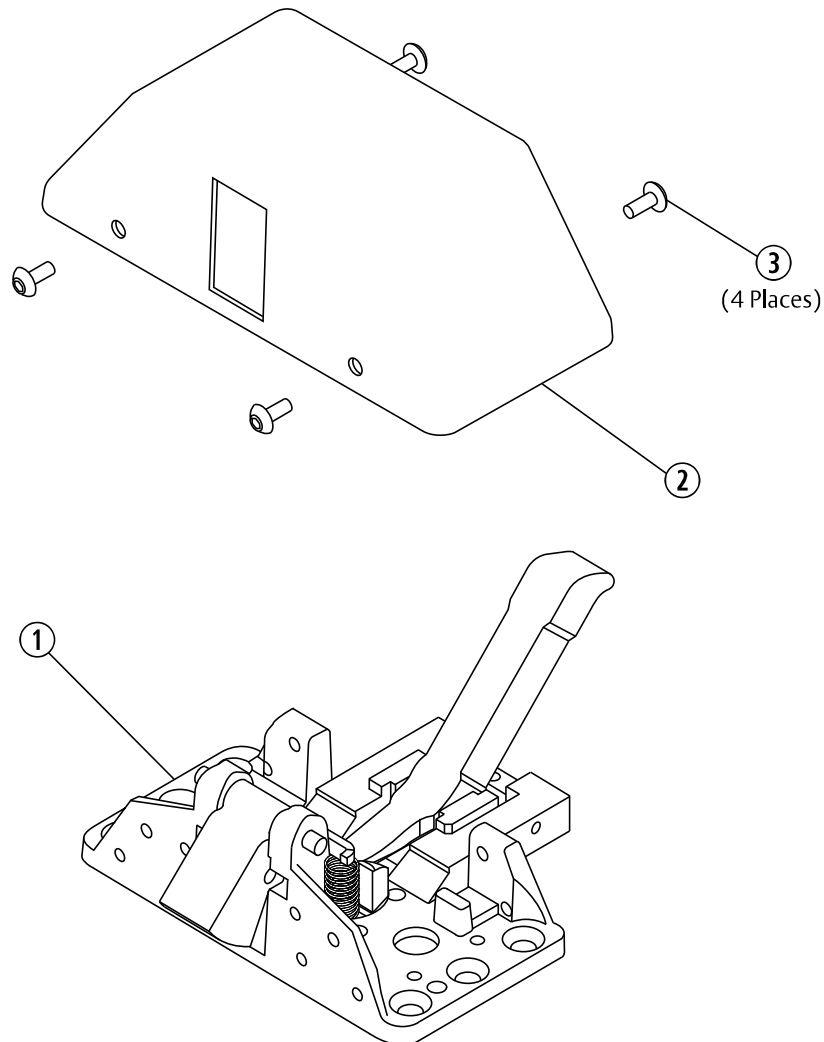
3728 for 30 Series

Chassis Assembly Less Cover

12-3828	All Functions	LHRB RHRB	28-2409
---------	---------------	--------------	---------

Item Number	Part Number	Description	Qty.
1	28-2409	Chassis Assembly	1
2	28-0111	Cover *	1
3	01-1141	Machine Screw (Truss Head) *	4
	28-2064	Screw Pack	1
	68-2347	Strike Pack	1

* Specify finish



20 & 30 Series

Exit Devices

Parts Manual

SARGENT

ASSA ABLOY

The ASSA ABLOY Group is the global leader in access solutions. Every day, we help billions of people experience a more open world.

ASSA ABLOY Opening Solutions leads the development within door openings and products for access solutions in homes, businesses and institutions. Our offering includes doors, frames, door and window hardware, locks, perimeter fencing, access control and service.

SARGENT®

ASSA ABLOY

SARGENT Manufacturing Company
100 Sargent Drive
New Haven, CT 06511 USA
800-727-5477
www.sargentlock.com

Founded in the early 1800s, SARGENT® is a market leader in locksets, cylinders, door closers, exit devices, electro-mechanical products and access control systems for new construction, renovation, and replacement applications. The company's customer base includes commercial construction, institutional, and industrial markets.

Copyright © 2000, 2019, 2022, SARGENT Manufacturing Company. All rights reserved. Reproduction in whole or in part without the express written permission of SARGENT Manufacturing Company is prohibited.

A8273B 04/22