

80 series
Parts List

8300
8400
8500

Parts List

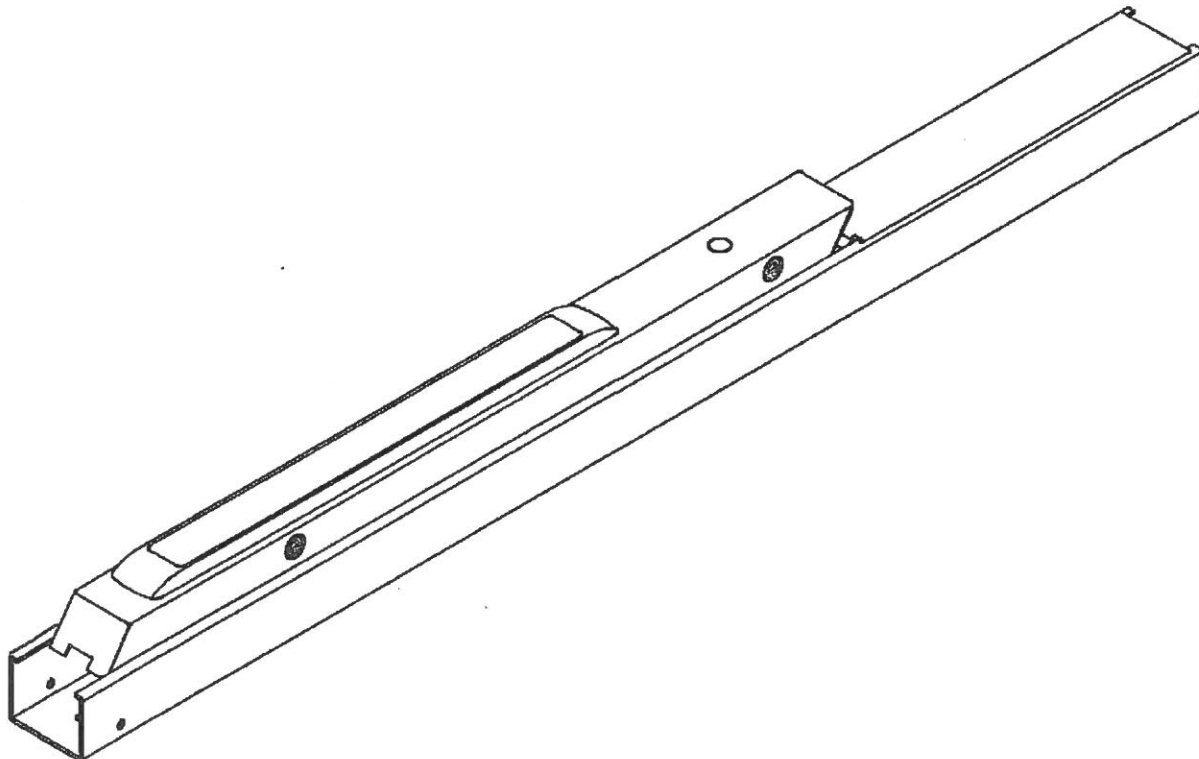
Page No 80.1
Rev C
8/18/2003

RAIL ASSEMBLY LESS END CAP AND MOUNTING BRACKET

SIZE	DOOR WIDTH	PIVOT DISTANCE	CAM LOCKDOWN (NO PREFIX)	CYLINDER LOCKDOWN (16 PREFIX) *	FIRE EXIT HARDWARE (12 PREFIX)
			STANDARD RAIL (WITH TOUCH PAD)		
E	24" TO 32"	8.5"	68-2716	68-2720	68-2724
F	33" TO 36"	11.25"	68-2717	68-2721	68-2725
J	37" TO 42"	14"	68-2719	68-2723	68-2727
G	43" TO 48"	20.5"	68-2718	68-2722	68-2726
19- RAIL (NO TOUCH PAD)					
E	24" TO 32"	8.5"	68-2905	68-2909	68-2913
F	33" TO 36"	11.25"	68-2906	68-2910	68-2914
J	37" TO 42"	14"	68-2908	68-2912	68-2916
G	43" TO 48"	20.5"	68-2907	68-2911	68-2915

*FOR CYLINDER LOCKDOWN ADD 2" TO MIN DOOR SIZE STATED ON E SIZE .

NOTE: TO DETERMINE RAIL SIZE MEASURE DISTANCE BETWEEN PIVOT CENTERS.



80 series
Parts List

MD/WD8600
PP/PR/SP8600
PP/PR/SP/NB8700
8700 8800 8900

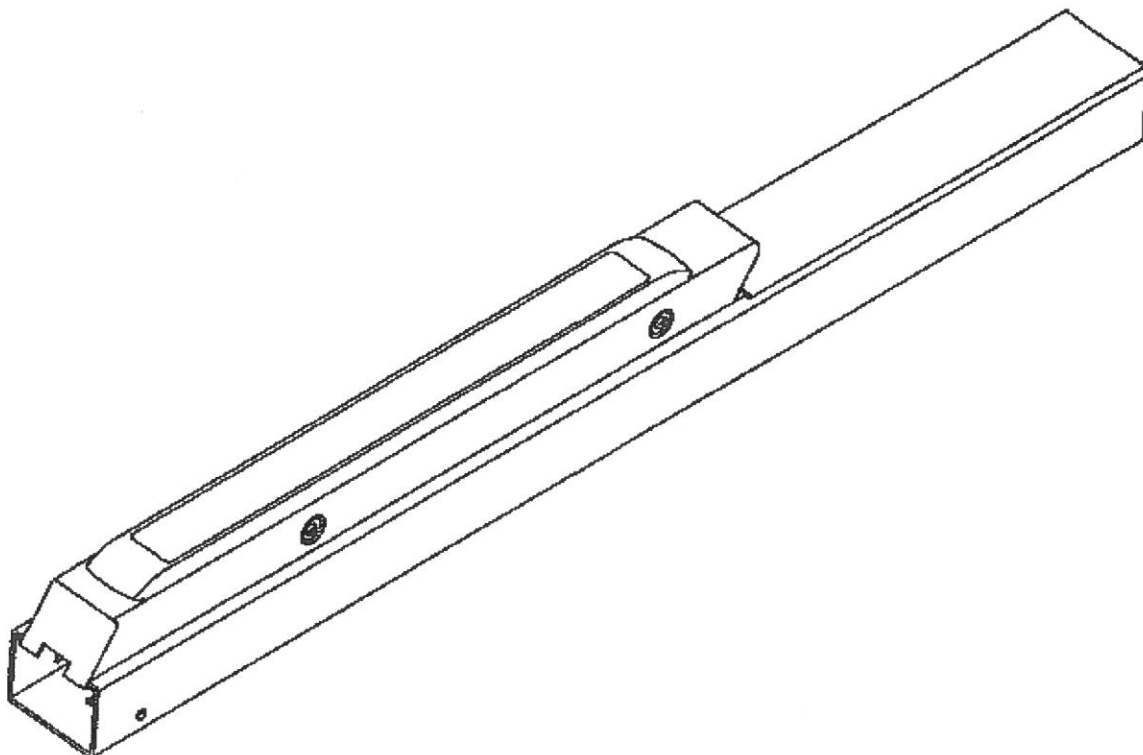
Parts List

Page No Rev
80.2 C
8/18/2003

RAIL ASSEMBLY LESS END CAP AND MOUNTING BRACKET

SIZE	DOOR WIDTH	PIVOT DISTANCE	CAM LOCKDOWN (NO PREFIX)	CYLINDER LOCKDOWN (16 PREFIX) *	FIRE EXIT HARDWARE (12 PREFIX)
			STANDARD RAILS (WITH TOUCH PAD)		
E	24" TO 32"	8.5"	68-2694	68-2698	68-2702
F	33" TO 36"	11.25"	68-2695	68-2699	68-2703
J	37" TO 42"	14"	68-2697	68-2701	68-2705
G	43" TO 48"	20.5"	68-2696	68-2700	68-2704
19- (NO TOUCH PAD) RAILS					
E	24" TO 32"	8.5"	68-2918	68-2922	68-2926
F	33" TO 36"	11.25"	68-2919	68-2923	68-2927
J	37" TO 42"	14"	68-2921	68-2925	68-2929
G	43" TO 48"	20.5"	68-2920	68-2924	68-2928

*FOR CYLINDER LOCKDOWN ADD 2" TO MIN DOOR SIZE STATED ON E SIZE .
NOTE: TO DETERMINE RAIL SIZE MEASURE DISTANCE BETWEEN PIVOT CENTERS.



80 series
Parts List

RAIL ASSEMBLY
STANDARD
COMPONENTS

Parts List

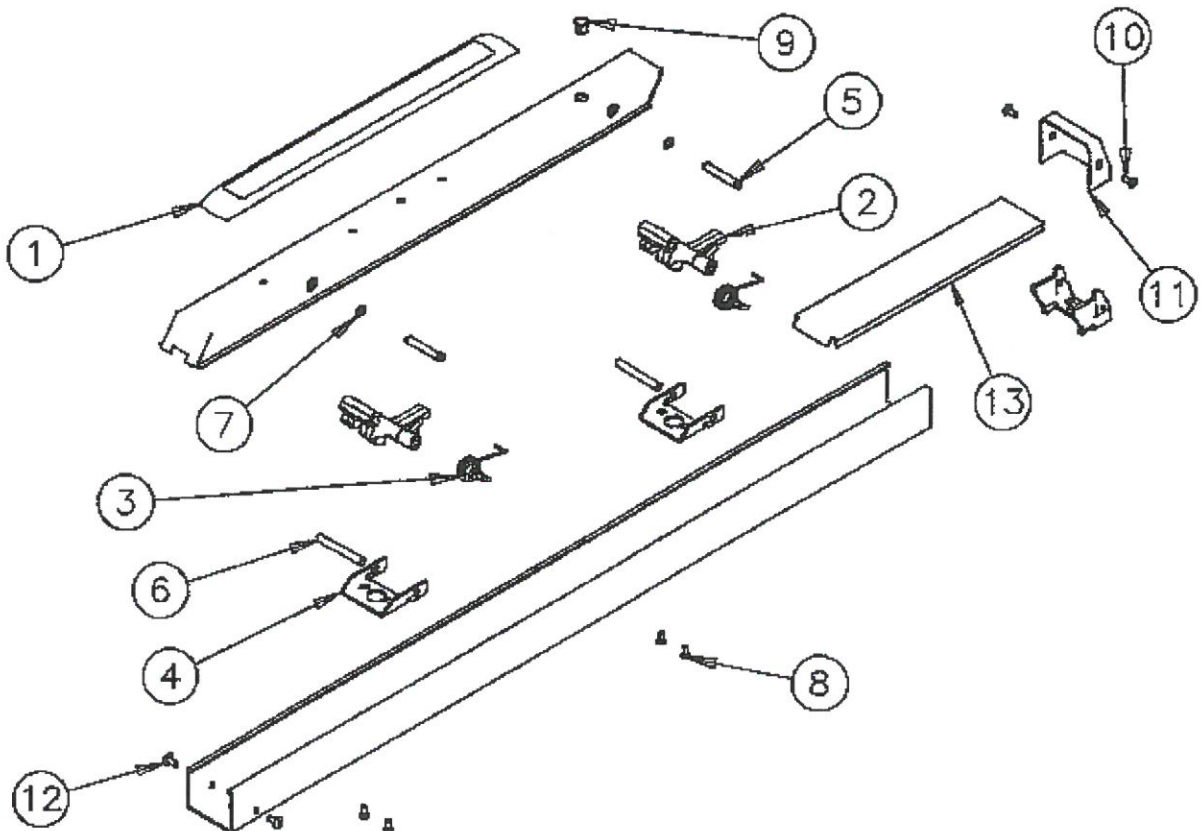
Page No Rev
80.3 D
01/01/2003

ITEM	ASSY NO.	PART NO.	DESCRIPTION	QTY
1		809 KIT **	TOUCH BAR REPLACEMENT KIT	1
2		68-3609	CONNECTING ARM	2
3		68-0236	SPRING	2
4		68-0943	BRACKET CONNECTING ARM	2
5		68-0229	PIVOT PIN PUSH	2
6		68-0945	PIVOT PIN MOUNT	2
7		01-0098	RETAINING RING	2
8		01-1236	SCREW #8-32 X 3/8	4
9		01-4537	HOLE PLUG	1
10		97-0052	SCREW #8-32 X 5/16 *	2
11		565 KIT ϕ	END CAP KIT STANDARD *	1
		665 KIT ϕ	END CAP KIT FLUSH *	
12		01-1141	SCREW #8-32 X 3/8 *	2
13	SEE 80.4 FOR DETAILS		RAIL INSERT	1
—		68-2596	CAM DOGGING KIT	1

* SPECIFY FINISH

** 809 KIT INCLUDES TOUCH BAR AND ASSOCIATED HARDWARE (REPLACES 561 KIT)

ϕ WHEN REPLACING ANY END CAP WITH NEW STANDARD END CAP ORDER 565 KIT BY FINISH
WHEN REPLACING ANY END CAP WITH NEW FLUSH END CAP ORDER 665 KIT BY FINISH
END CAP KITS INCLUDE MOUNTING BRACKET, END CAP, AND REQUIRED SCREWS.



80 series
Parts List

MOUNTING RAIL
INSERTS

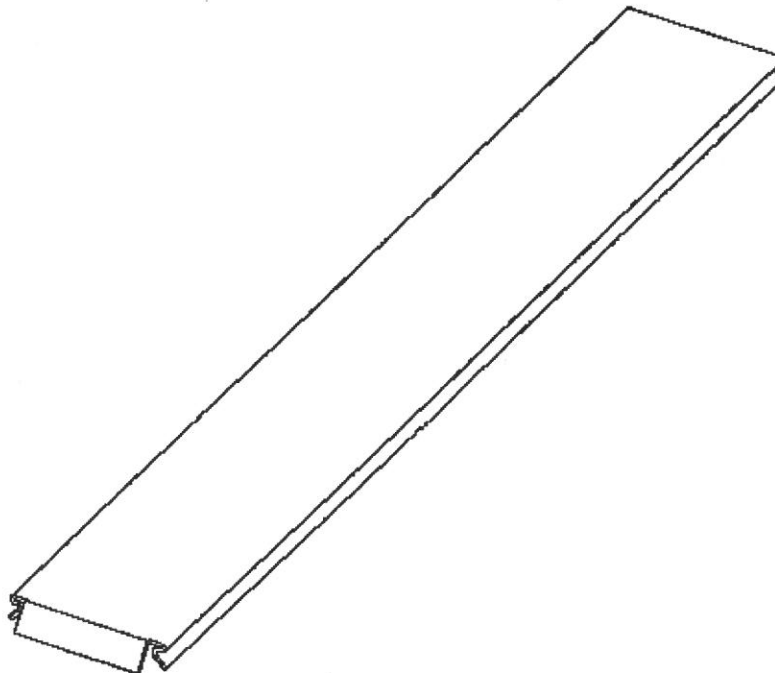
Parts List

Page No 80.4 Rev B

8/18/2003

PREFIX	ASSY NO.	PART NO.	DESCRIPTION
STANDARD INSERTS, NEW FACTORY SUPPLIED 55-			
STD, 12- 19- 53- 58- OR 55- SUPPLIED IN COMB. WITH ABOVE PREFIXES		68-0549	INSERT (F WIDE) *
		68-0550	INSERT (E WIDE) *
		68-0551	INSERT (G WIDE) *
		68-0552	INSERT (G NARROW) *
		68-0553	INSERT (J NARROW) *
		68-0554	INSERT (J WIDE) *
		68-1375	INSERT (E NARROW, F NARROW) *
OLD FACTORY SUPPLIED 55-, 55- RETROFITS			
55- SUPPLIED IN COMB. WITH FOLLOWING PREFIXES NONE, 12- 19-, 58- (16- IN PUSH)	855-1 KIT		INSERT ASSEMBLY (F WIDE) *
	855-2 KIT		INSERT ASSEMBLY (E NARROW, F NARROW) *
	855-3 KIT		INSERT ASSEMBLY (G WIDE) *
	855-4 KIT		INSERT ASSEMBLY (G NARROW, J WIDE) *
	855-5 KIT		INSERT ASSEMBLY (E WIDE) *
	855-6 KIT		INSERT ASSEMBLY (J NARROW) *

* SPECIFY FINISH



80 series
Parts List

LS/LP/LR8600

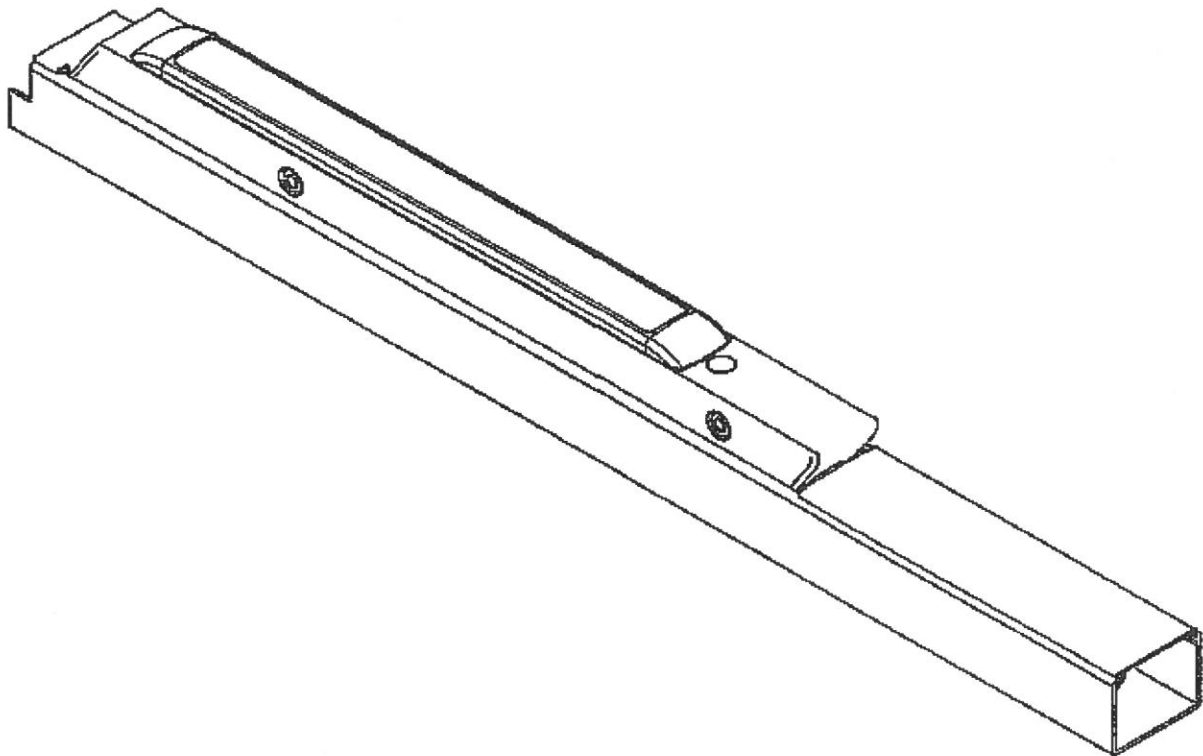
Parts List

Page No REV
80.5 B

8/18/2003

RAIL ASSEMBLY LESS END CAP AND MOUNTING BRACKET

SIZE	DOOR WIDTH	CAM LOCKDOWN (NO PREFIX)	CYLINDER LOCKDOWN (16 PREFIX)	FIRE EXIT HARDWARE (12 PREFIX)
L	36"	68-4242	68-4246	68-4250
M	42" OR 44"	68-4243	68-4247	68-4251
N	46" OR 48"	68-4244	68-4248	68-4252



80 series
Parts List

RAIL ASSEMBLY
LS/LP/LR8600

Parts List
Page No. . REV.
80.6A C
1-29-2004

LS/LP/LR8600	STANDARD	L	68-4242
	DOGGING	M	68-4243
	RAIL	N	68-4244

RAIL ASSEMBLY
LESS END CAPS

ITEM	ASSY NO.	PART NO.	DESCRIPTION	QTY
1		809 KIT **	TOUCH BAR REPLACEMENT KIT	1
2		68-0618	PUSH RAIL (F) * (USE FOR "L" RAIL)	1
		68-0616	PUSH RAIL (J) * (USE FOR "M" RAIL)	
		68-0617	PUSH RAIL (G) * (USE FOR "N" RAIL)	
3		01-0098	RETAINING RING	2
4		68-0229	PIVOT PIN PUSH RAIL *	2
5		68-3609	CONNECTING ARM ASSEMBLY	2
6	68-4242 (L)	68-0945	PIVOT PIN MOUNTING RAIL	2
7	68-4243 (M)	68-0943	BRACKET CONNECTING ARM	2
8	68-4244 (N)	01-1236	SCREW #6-32 X 3/8 *	4
9		68-1319	MOUNTING RAIL (L) *	1
		68-1320	MOUNTING RAIL (M) *	
	68-1321	MOUNTING RAIL (N) *		
10		68-0236	SPRING	2
11		68-1324	MOUNTING RAIL INSERT (L) *	1
		68-1325	MOUNTING RAIL INSERT (M) *	
		68-1326	MOUNTING RAIL INSERT (N) *	
13		68-2596	LOCKDOWN BUTTON KIT	1
24				
21		68-1315	MOUNTING PLATE	1
22		68-1316	END CAP *	1
23		97-0052	SCREW #8-32 X 5/16 *	2
-		68-4383	MOUNTING PACK INC ITEM 21	1

* SPECIFY FINISH

** 809 KIT INCLUDES TOUCH BAR AND
ASSOCIATED HARDWARE

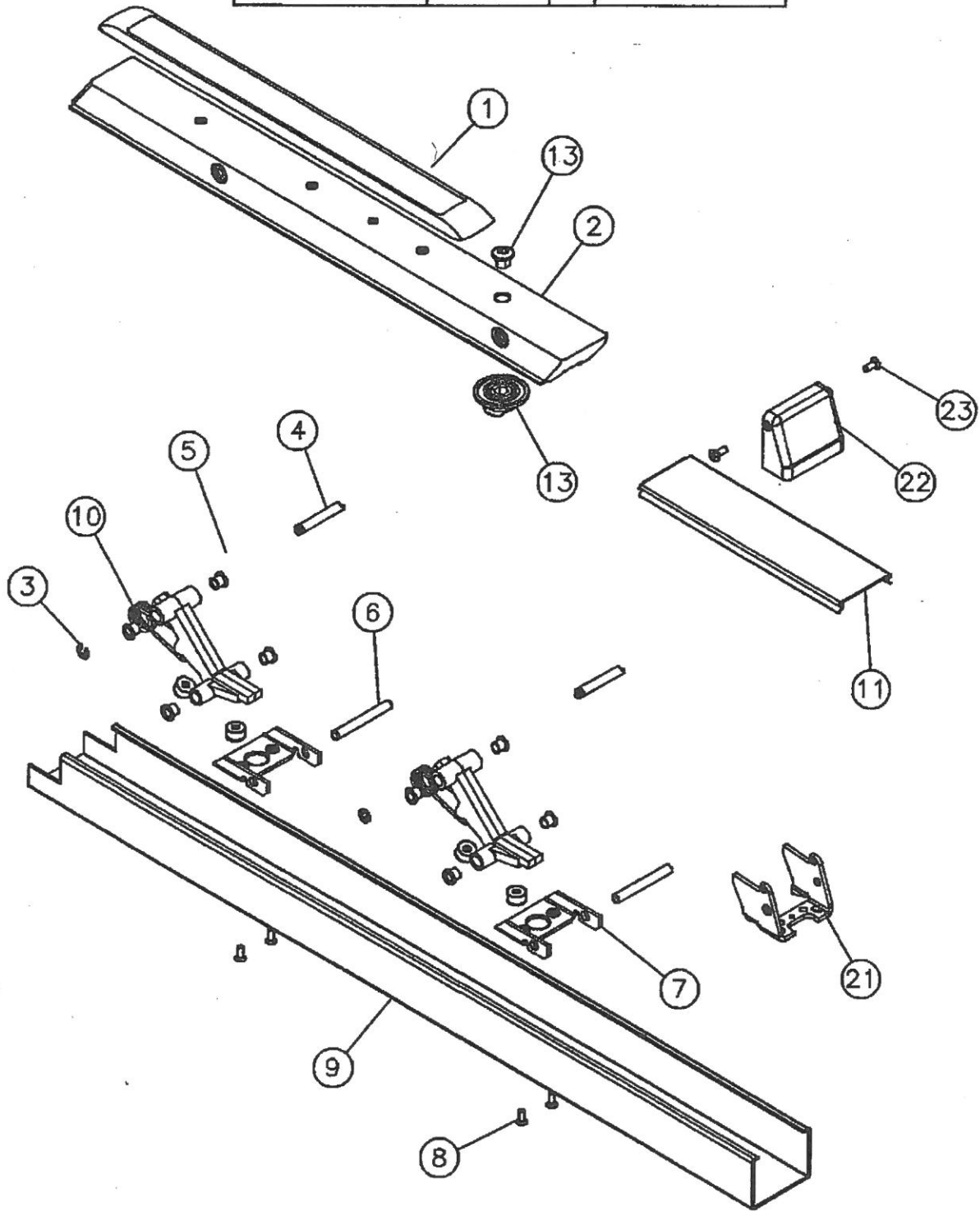
THIS PAGE MUST FACE 80.6B

8 series
Parts List


RAIL ASSEMBLY
LS/LP/LR8600

Parts List
Page No. REV.
80.6B C
1-29-2004

		RAIL ASSEMBLY LESS END CAPS	
LS/LP/LR8600	STANDARD	L	68-4242
	DOGGING	M	68-4243
	RAIL	N	68-4244



THIS PAGE MUST FACE 80.6A


80 series
Parts List

RAIL ASSEMBLY
 12-LS/LP/LR8600

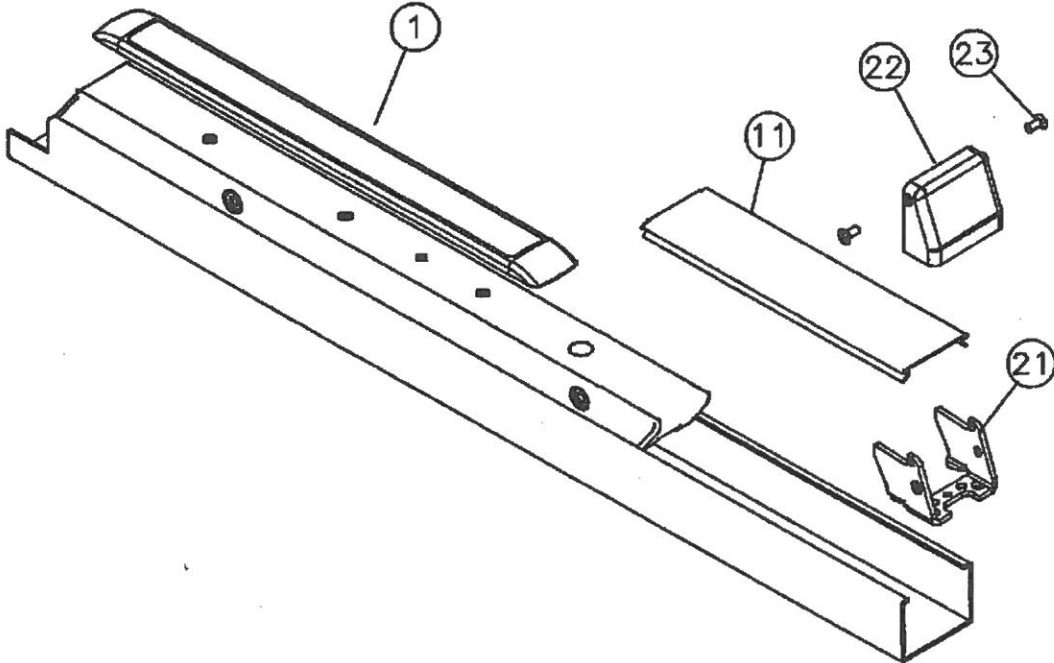
Parts List
 Page No. REV.
 80.7 C
 1-28-2004

RAIL ASSEMBLY LESS END CAPS			
12-LS/LP/LR8600	NO DOGGING RAIL	L M N	68-4250 68-4251 68-4252

ITEM	ASSY NO.	PART NO.	DESCRIPTION	QTY
1		809 KIT **	TOUCH BAR REPLACEMENT KIT	1
11		68-1324	MOUNTING RAIL INSERT (L) *	1
		68-1325	MOUNTING RAIL INSERT (M) *	
		68-1326	MOUNTING RAIL INSERT (N) *	
24				
21		68-1315	MOUNTING PLATE	1
22		68-1316	END CAP *	1
23		97-0052	SCREW #8-32 X 5/16 *	2
—		01-4537	HOLE PLUG	1
—		68-4383	MOUNTING PACK INC ITEM 21	1

* SPECIFY FINISH

** 809 KIT INCLUDES TOUCH BAR AND ASSOCIATED HARDWARE



80 series
Parts List

RAIL ASSEMBLY
16-LS/LP/LR8600

Parts List
Page No. REV.
80.8 A C
1-28-2004

		RAIL ASSEMBLY LESS END CAPS	
16-LS/LP/LR8600	CYLINDER	L	68-4246
	DOGGING	M	68-4247
	RAIL	N	68-4248

ITEM	ASSY NO.	PART NO.	DESCRIPTION	QTY
1		809 KIT **	TOUCH BAR REPLACEMENT KIT	1
2		68-0618	PUSH RAIL (F) * (USE FOR "L" RAIL)	1
		68-0616	PUSH RAIL (J) * (USE FOR "M" RAIL)	
		68-0617	PUSH RAIL (G) * (USE FOR "N" RAIL)	
3		01-0098	RETAINING RING	2
4		68-0229	PIVOT PIN PUSH RAIL *	2
5		68-3609	CONNECTING ARM ASSEMBLY	2
6	68-4246 (L)	68-0945	PIVOT PIN MOUNTING RAIL	2
7	68-4247 (M)	68-0943	BRACKET CONNECTING ARM	2
8	68-4248 (N)	01-1236	SCREW #6-32 X 3/8 *	4
9		68-1319	MOUNTING RAIL (L) *	1
		68-1320	MOUNTING RAIL (M) *	
	68-1321	MOUNTING RAIL (N) *		
10		68-0236	SPRING	2
11		68-4255	MOUNTING RAIL INSERT (L) *	1
		68-4256	MOUNTING RAIL INSERT (M) *	
		68-4257	MOUNTING RAIL INSERT (N) *	
12		01-4537	HOLE PLUG	1
14		68-0772	FILLER	1
15		01-1220	SCREW #6-32 X 3/8	4
16		68-3020	LOCKDOWN CAM ASSY	1
24				
17		68-0701	CYLINDER NUT	1
18		97-0349	CYLINDER RING #41 CYLINDER *	1
19		—	CYLINDER * $\phi\phi$	2
21		68-1315	MOUNTING PLATE	1
22		68-1316	END CAP *	1
23		97-0052	SCREW #8-32 X 5/16 *	2
—		68-4383	MOUNTING PACK INC ITEM 21	1

* SPECIFY FINISH

** 809 KIT INCLUDES TOUCH BAR AND ASSOCIATED HARDWARE

$\phi\phi$ SPECIFY #41 CYLINDER BY KEYING REQ.

THIS PAGE MUST FACE 80.8B

80 series
Parts List

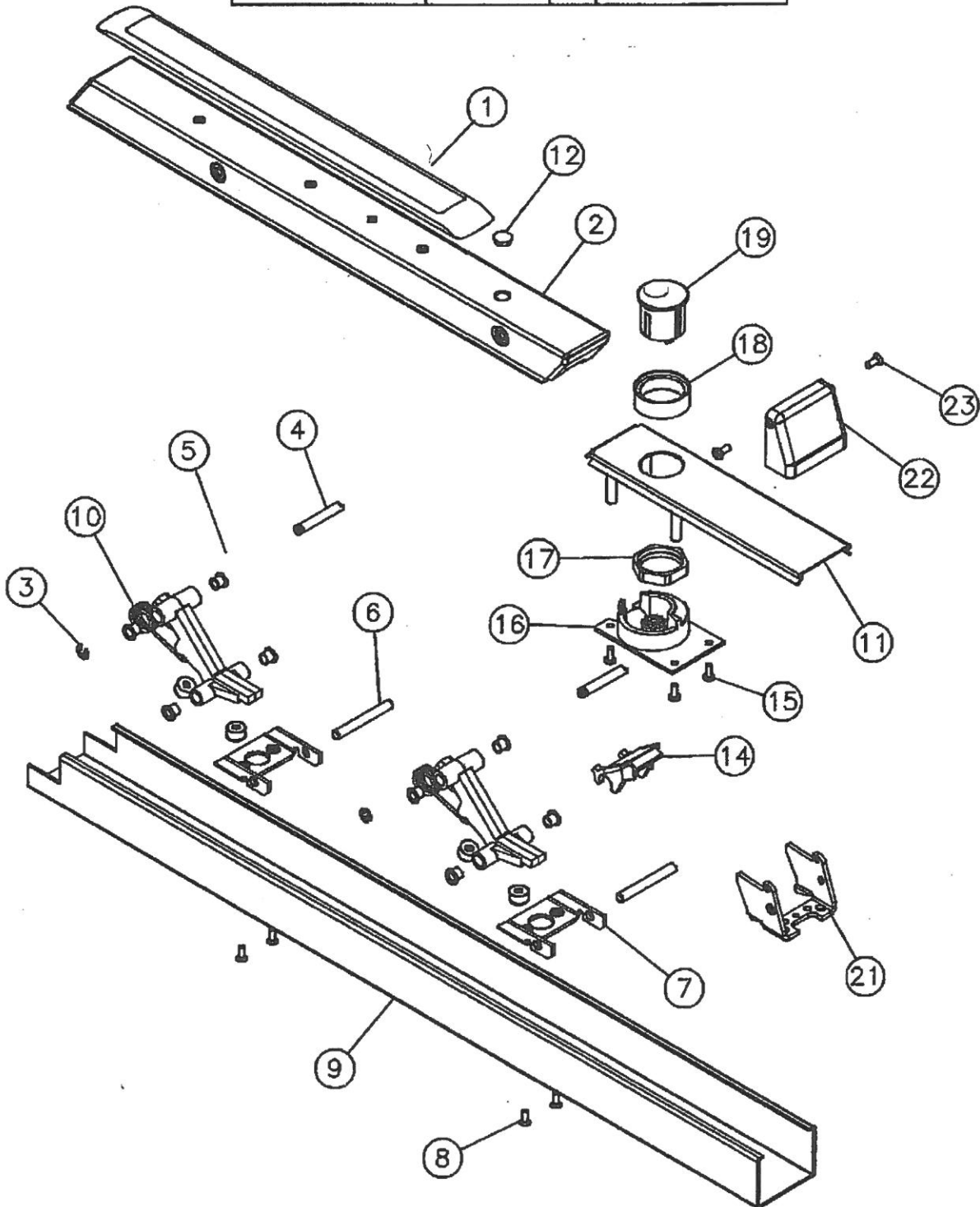
RAIL ASSEMBLY
16-LS/LP/LR8600

Parts List

Page No. REV.
80.8B C
1-28-2004

16-LS/LP/LR8600	CYLINDER DOGGING RAIL	L	68-4246
		M	68-4247
		N	68-4248

RAIL ASSEMBLY
LESS END CAPS



THIS PAGE MUST FACE 80.8A

80 SERIES PARTS LIST

816 KIT

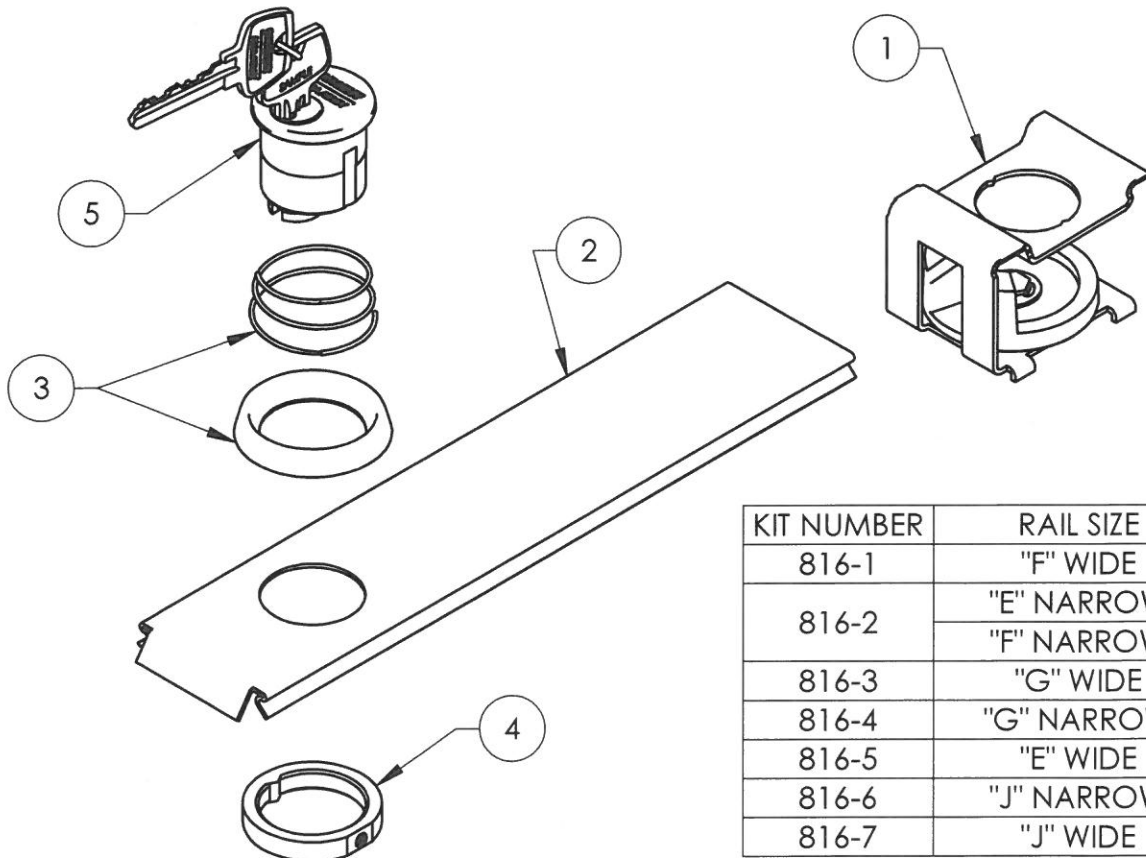
PARTS LIST

PAGE No. 80.9
REV. D

ITEM NO.	QTY	PART NUMBER	DESCRIPTION	REMARKS
1	1	97-3230	16- CYLINDER DOGGING ASSEMBLY	
2	1	68-0767	"F" WIDE RAIL INSERT	SEE NOTE 2
		68-0768	E WIDE RAIL INSERT	
		68-0769	"G" WIDE RAIL INSERT	
		68-0770	"G" NARROW, "J" WIDE RAIL INSERT	
		68-1376	"E" & "F" NARROW RAIL INSERT	
		68-1465	"J" NARROW RAIL INSERT	
3	1	13-2131	CYLINDER RING ASSEMBLY	SEE NOTE 2
4	1	68-6040	RETAINING COLLAR ASSEMBLY	
5	1	13-2872	CYLINDER & KEY ASSEMBLY	
6	1	01-0288	SOCKET SCREW KEY (WRENCH)	NOT SHOWN

NOTES:

- FOR CYLINDER, SPECIFY "MORTISE" CYLINDER, FINISH AND KEYING REQUIREMENTS.
- SPECIFY FINISH FOR INSERT AND COLLAR.



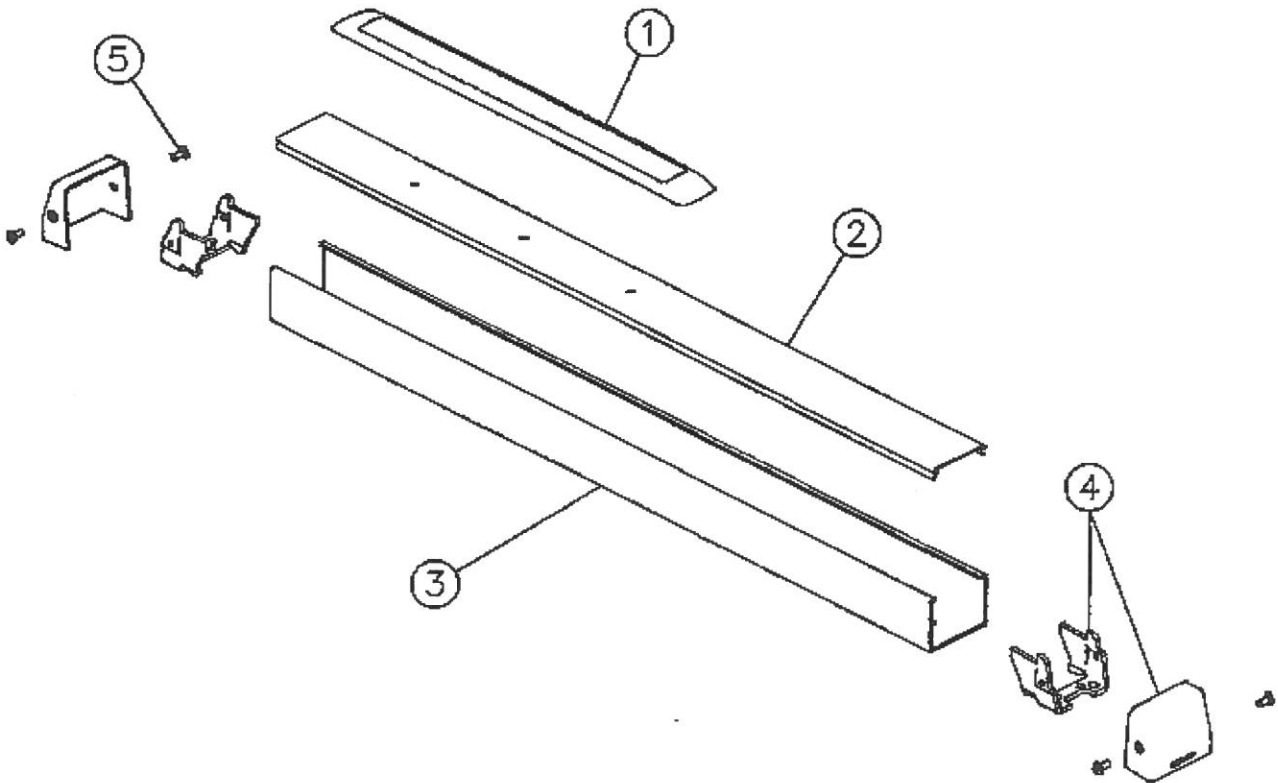
KIT NUMBER	RAIL SIZE
816-1	"F" WIDE
816-2	"E" NARROW
	"F" NARROW
816-3	"G" WIDE
816-4	"G" NARROW
816-5	"E" WIDE
816-6	"J" NARROW
816-7	"J" WIDE

Copyright © 2011 Sargent Manufacturing Company, an ASSA ABLOY Group company. All rights reserved.

ITEM	ASSY NO.	PART NO.	DESCRIPTION	QTY
1		809 KIT **	TOUCH BAR REPLACEMENT KIT	1
2	68-2706 (E)	68-0632	RAIL INSERT (E OR F) *	1
	68-2707 (F)	68-0633	RAIL INSERT (G) *	
3	68-2708 (G)	68-0513	MOUNTING RAIL (E) *	1
		68-0514	MOUNTING RAIL (F) *	
		68-0516	MOUNTING RAIL (G) *	
4	585 KIT ϕ		STANDARD END CAP KIT *	2
	685 KIT ϕ		FLUSH END CAP KIT *	2
5		97-0052	SCREW #8-32 X 5/16 *	4
---		68-0561	END CAP BLACK LEXAN	2
---		68-0511	MOUNTING PLATE BLACK LEXAN END CAPS	2
---		68-2143	SCREW PACK STANDARD	2
---		68-2276	SCREW PACK 1 3/4" DOOR THRU BOLT	1
---		68-2277	SCREW PACK 2 1/2" DOOR THRU BOLT	1

* SPECIFY FINISH
** 809 KIT INCLUDES TOUCH BAR AND ASSOCIATED HARDWARE.

ϕ WHEN REPLACING ANY END CAPS WITH NEW STYLE METAL END CAPS ORDER 585 KIT OR 685 KIT BY FINISH.



80 series Parts List

8895
(ACTIVE DUMMY RAIL)

Parts List

Page No 88.21A Rev B
8/18/2003

RAIL ASSEMBLY LESS END CAPS

8895	ACTIVE DUMMY RAIL	E F J G	68-3277 68-3278 68-4579 68-3279
------	-------------------------	------------------	--

ITEM	ASSY NO.	PART NO.	DESCRIPTION	QTY
1		809 KIT **	TOUCH BAR REPLACEMENT KIT	1
2		68-1444	PUSH RAIL (E) *	1
		68-1447	PUSH RAIL (F) *	
		68-1445	PUSH RAIL (J) *	
		68-1446	PUSH RAIL (G) *	
3		01-0098	RETAINING RING **	2
4		68-0229	PIVOT PIN PUSH RAIL *	2
5	68-3277 (E)	68-3609	CONNECTING ARM ASSEMBLY	2
6	68-3278 (F)	68-0945	PIVOT PIN MOUNTING RAIL	2
7		68-0943	BRACKET CONNECTING ARM	2
8	68-4579 (J)	01-1236	SCREW #6-32 X 3/8 *	4
9	68-3279 (G)	68-0866	MOUNTING RAIL (E) *	1
		68-1469	MOUNTING RAIL (F) *	
		68-1468	MOUNTING RAIL (J) *	
		68-0868	MOUNTING RAIL (G) *	
10		68-0236	SPRING	2
11		68-0551	MOUNTING RAIL INSERT (E) *	1
		68-1375	MOUNTING RAIL INSERT (F)*	
		68-1477	MOUNTING RAIL INSERT (J & G)*	
12		01-4537	HOLE PLUG	1
—		565 KIT ∅	OVERLAPING END CAP KIT *	2
—		665 KIT ∅	FLUSH END CAP KIT *	2
32		97-0052	SCREW #8-32 X 5/16 *	4
—		68-0511	MOUNTING PLATE LEXAN END CAPS	2
—		68-0561	END CAP BLACK LEXAN	2
—		68-3373	MOUNTING PACK INC ITEMS 30, 31 & 32	1

* SPECIFY FINISH

** 809 KIT INCLUDES TOUCH BAR AND ASSOCIATED HARDWARE

∅ WHEN REPLACING ANY END CAP WITH NEW METAL END CAPS ORDER 565 KIT FOR OVERLAPING OR 665 KIT FOR FLUSH MOUNTING END CAP BY FINISH

THIS PAGE MUST FACE 88.21B

80 series
Parts List

8895
(ACTIVE DUMMY RAIL)

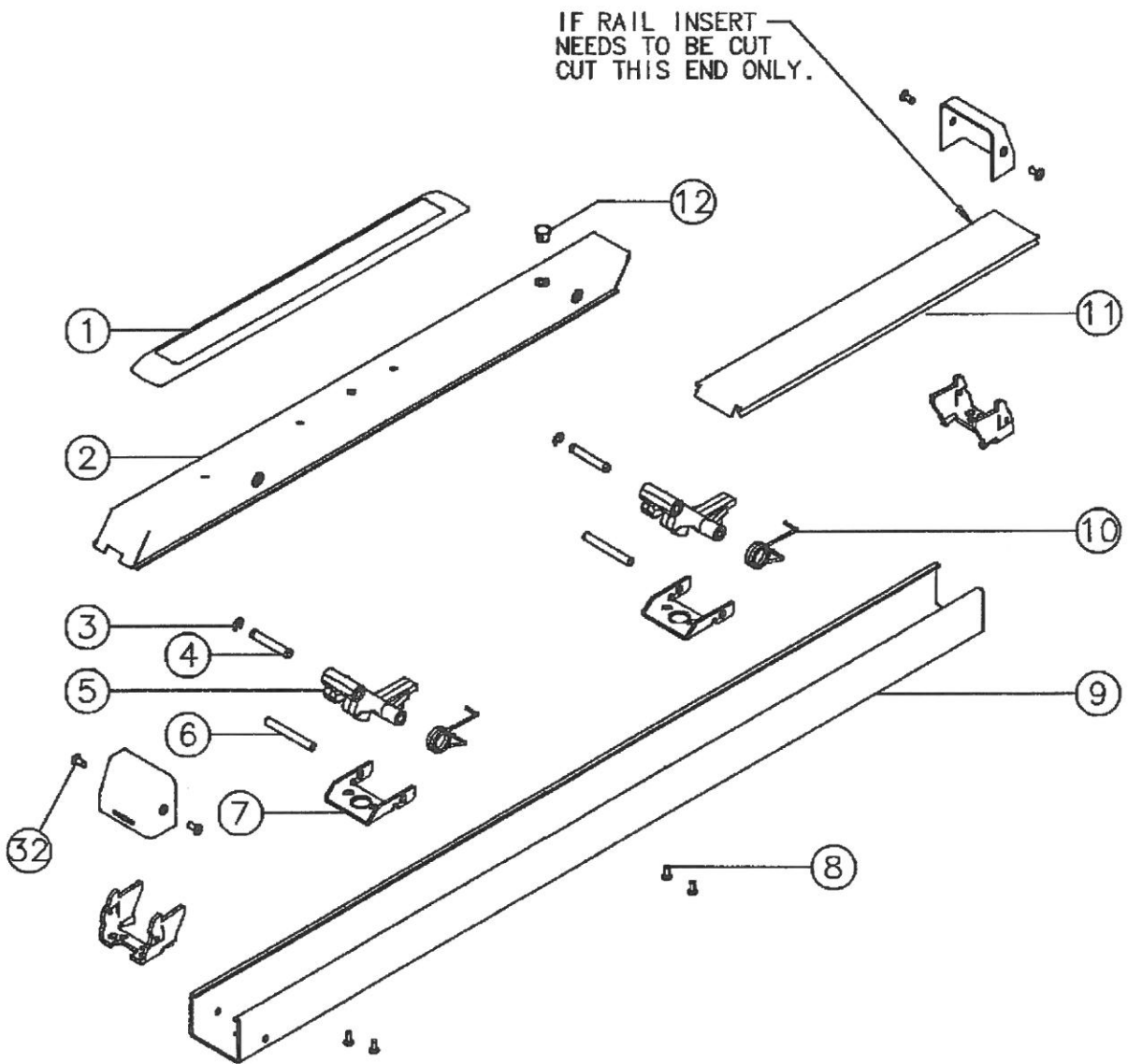
Parts List

Page No 88.21B
Rev B

8/18/2003

RAIL ASSEMBLY
LESS END CAPS

8895	ACTIVE DUMMY RAIL	E F J G	68-3277 68-3278 68-4579 68-3279
------	-------------------------	------------------	--



THIS PAGE MUST FACE 88.21A