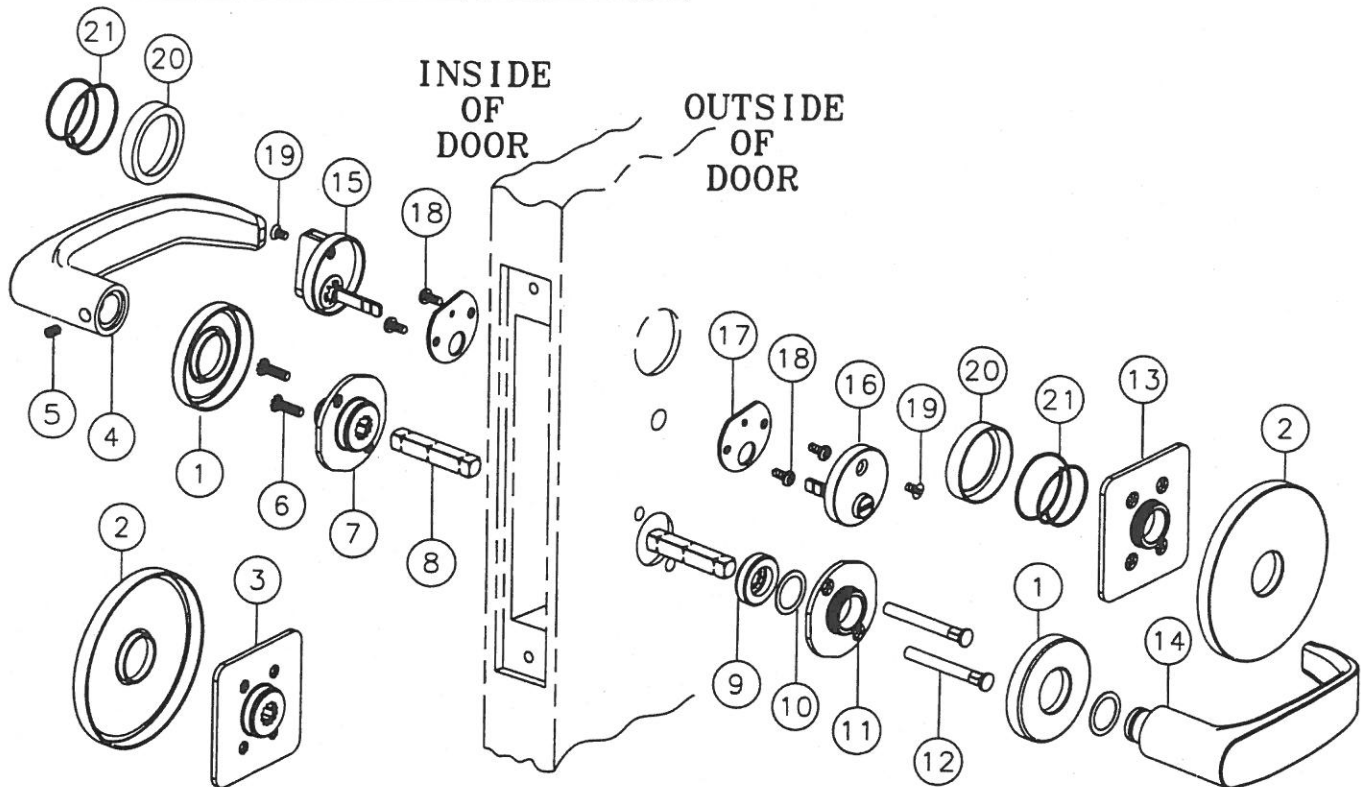


TRIM DESIGN	L, LN
FUNCTION	04,05,15,16,17,24,25,26,37,38,39 40,41,43,45,50,65,66,70,71,72,73

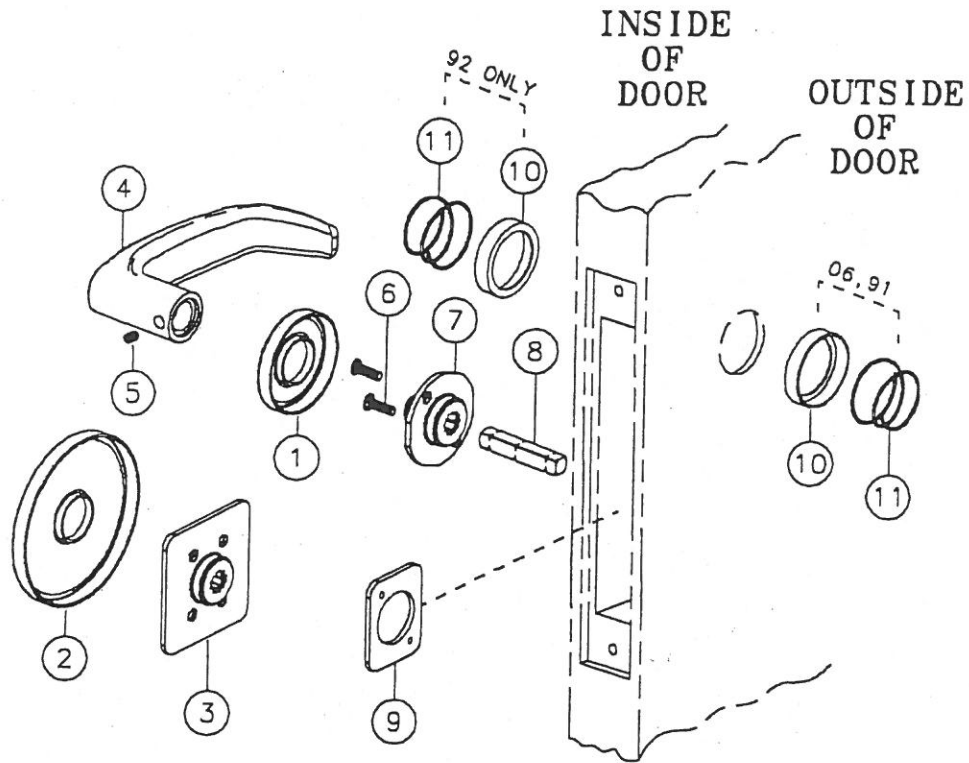
PARTS LIST	
PAGE NO. 69	
APR 03	REV. A



	PART No	DESCRIPTION	REQ
1	81-0093	ROSE - 'LN' DESIGN	2
2	81-0637	ROSE - 'L' DESIGN	2
3	82-3089	INSIDE ADAPTER & PLATE ASSEMBLY	1
4	-----	INSIDE LEVER HANDLE - SEE PAGE 9	1
5	-----	HANDLE SET SCREW 1/4-28 UNF	1
6	01-1495	MACHINE SCREW #8-32 X 5/8"	2
7	82-3088	INSIDE ADAPTER & PLATE ASSEMBLY	1
8	82-0368	SPINDLE	2
9	82-0184	CAP NUT	1
10	01-0079	WASHER	2
11	82-3082	ADAPTER & PLATE ASSEMBLY	1
12	81-0723	MOUNTING POST	2
13	82-3217	ADAPTER & PLATE ASSEMBLY	1
14	-----	OUTSIDE LEVER HANDLE-SEE PAGE 10	1
15	77-3279	TURN LEVER ASSEMBLY-130KB DESIGN	1
16	77-2595	EMERGENCY BUTTON ASSEMBLY-184KB	1
17	77-0551	BACK PLATE	2
18	01-4370	MACHINE SCREW #6-32 X 3/8"	4
18	01-1491	WOOD SCREW #6 X 3/8"	4
19	01-1154	MACHINE SCREW #6-32 X 1/4"	2
20	77-0509	KB CYLINDER ROSETTE (FOR 8200)	-
21	13-0140	COMPRESSION SPRING	-

TRIM DESIGN	L, LN
FUNCTION	06, 13, 91, 92

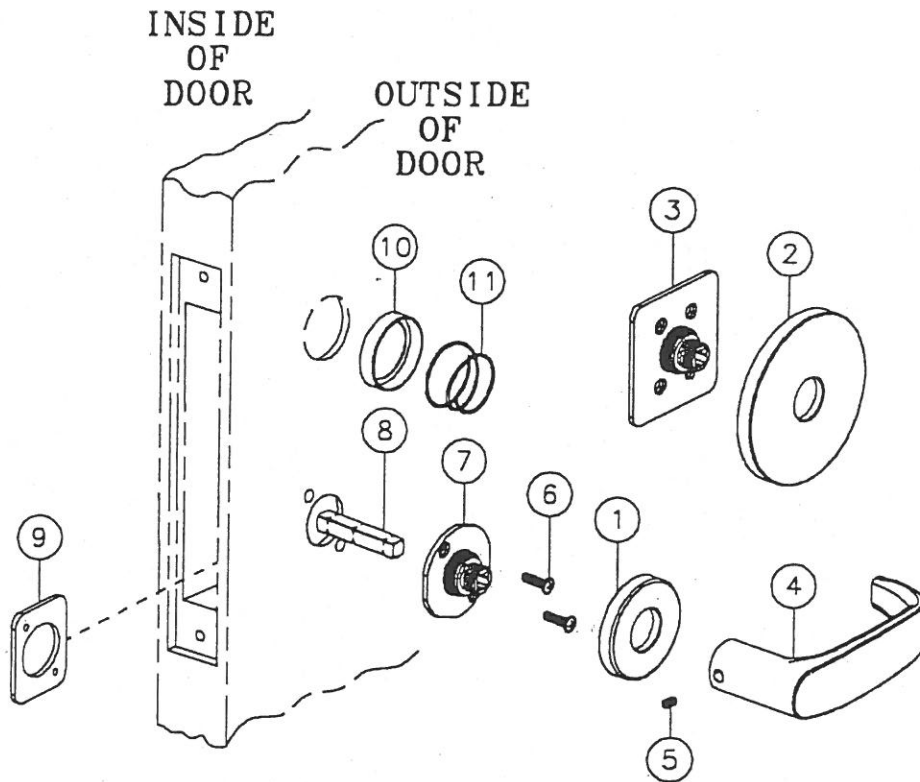
PARTS LIST
PAGE NO. 70
OCTOBER 2000



	PART No	DESCRIPTION	REQ
1	81-0093	ROSE - 'LN' DESIGN	1
2	81-0637	ROSE - 'L' DESIGN	1
3	82-3089	INSIDE ADAPTER & PLATE ASSEMBLY	1
4	-----	INSIDE LEVER HANDLE - SEE PAGE 9	1
5	-----	HANDLE SET SCREW 1/4-28 UNF	1
6	01-1495	MACHINE SCREW #8-32 X 5/8"	2
7	82-3088	INSIDE ADAPTER & PLATE ASSEMBLY	1
8	82-0368	SPINDLE	1
9	81-0655	INSIDE MOUNTING PLATE	1
10	77-0509	KB CYLINDER ROSETTE (FOR 8200)	-
11	13-0140	COMPRESSION SPRING	-

TRIM DESIGN	L, LN
FUNCTION	31, 35, 36

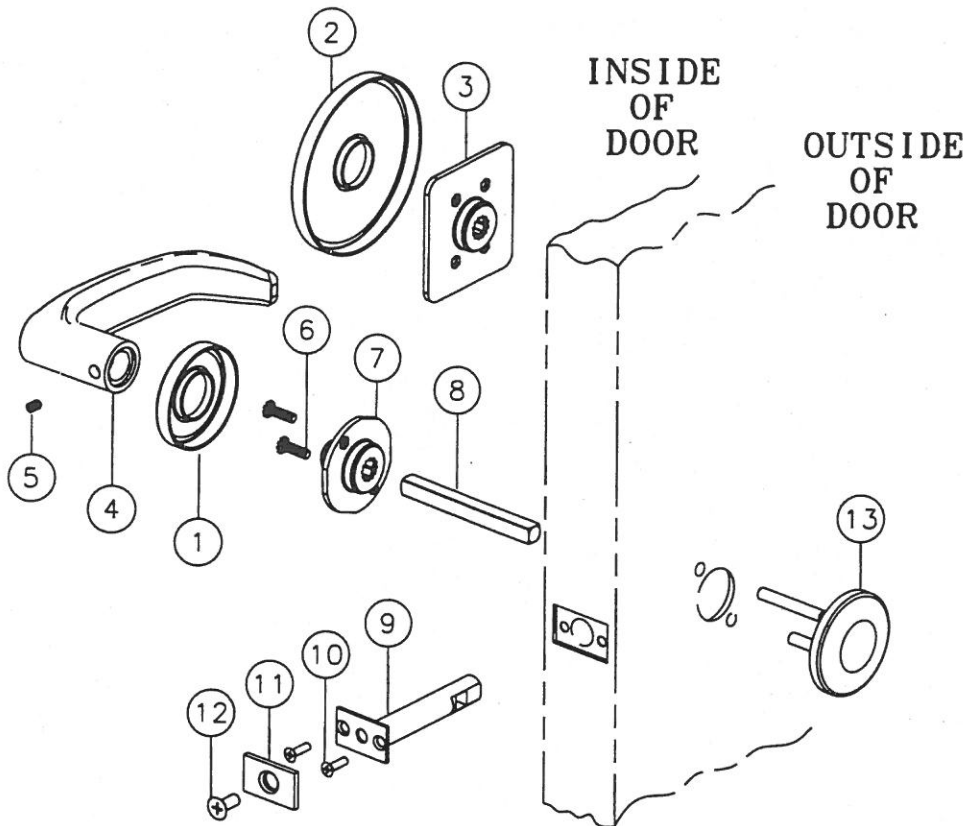
PARTS LIST
PAGE NO. 71
OCTOBER 2000



	PART No	DESCRIPTION	REQ
1	81-0093	ROSE - 'LN' DESIGN	1
2	81-0637	ROSE - 'L' DESIGN	1
3	82-3089	INSIDE ADAPTER & PLATE ASSEMBLY	1
4	-----	INSIDE LEVER HANDLE - SEE PAGE 9	1
5	-----	HANDLE SET SCREW 1/4-28 UNF	1
6	01-1495	MACHINE SCREW #8-32 X 5/8"	2
7	82-3088	INSIDE ADAPTER & PLATE ASSEMBLY	1
8	82-0368	SPINDLE	1
9	81-0655	INSIDE MOUNTING PLATE	1
10	77-0509	KB CYLINDER ROSETTE (FOR 8200)	1
11	13-0140	COMPRESSION SPRING	1

TRIM DESIGN	L, LN
FUNCTION	93

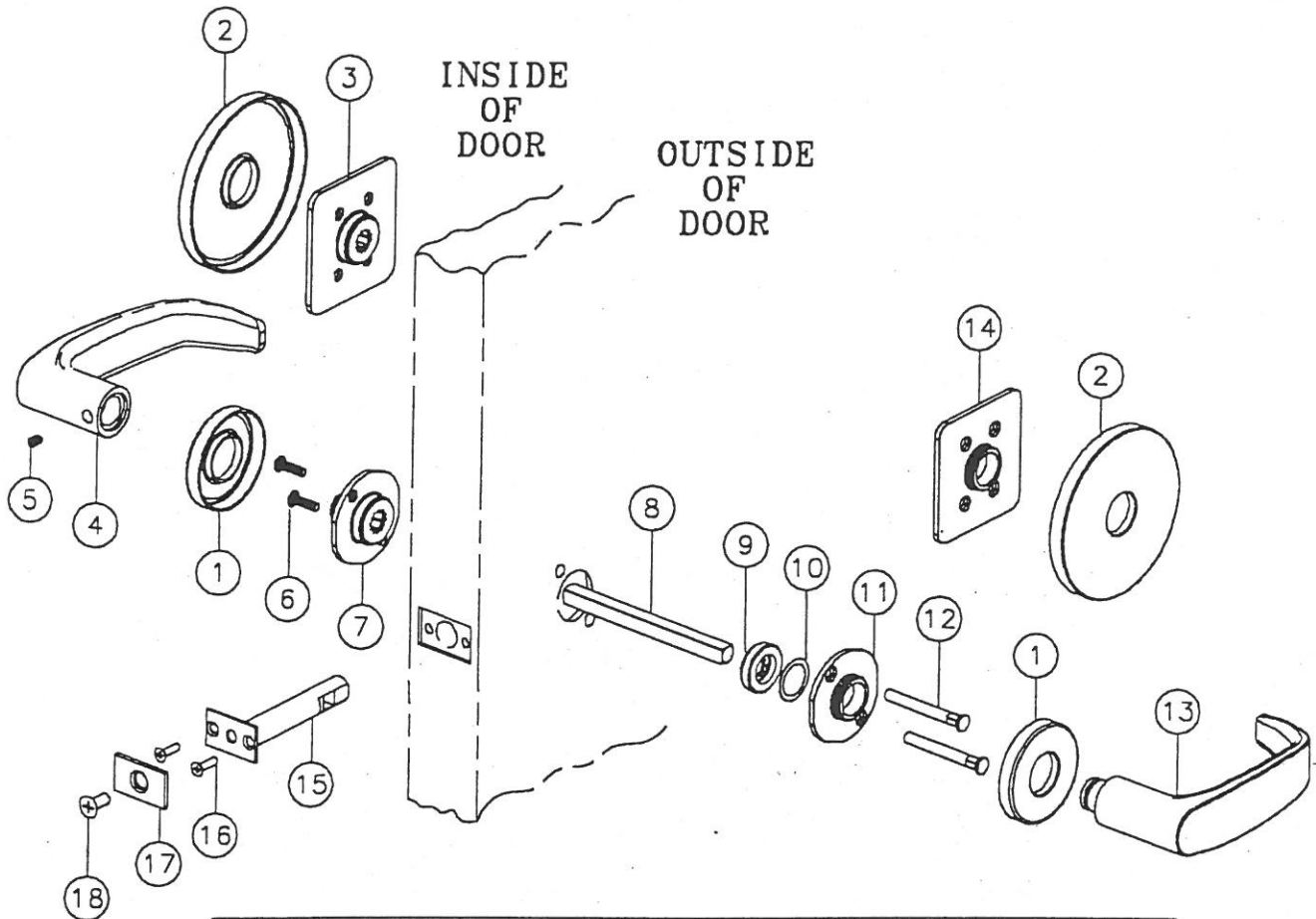
PARTS LIST	
PAGE NO. 72	
APR 03	REV. A



	PART No	DESCRIPTION	REQ
1	81-0093	ROSE - 'LN' DESIGN	1
2	81-0637	ROSE - 'L' DESIGN	1
3	82-3089	INSIDE ADAPTER & PLATE ASSEMBLY	1
4	-----	INSIDE LEVER HANDLE-SEE PAGE 9	1
5	-----	HANDLE SET SCREW 1/4-28 UNF	1
6	01-1495	MACHINE SCREW #8-32 X 5/8"	2
7	82-3089	INSIDE ADAPTER & PLATE ASSEMBLY	1
8	82-0396	SPINDLE	1
9	82-3419	INNER PLATE & PLUG ASSEMBLY	1
10	01-2220	WOOD SCREW #6 X 3/4"	2
10	01-1020	MACHINE SCREW #6-32 X 1/2"	2
11	81-0065	OUTER PLATE	1
12	01-1019	MACHINE SCREW #12-24 X 1/2"	1
13	82-4023	THRU-BOLT PLATE ASSEMBLY	1

TRIM DESIGN	L, LN
FUNCTION	94

PARTS LIST
PAGE NO. 73
OCTOBER 2000



	PART No	DESCRIPTION	REQ
1	81-0093	ROSE - 'LN' DESIGN	2
2	81-0637	ROSE - 'L' DESIGN	2
3	82-3089	INSIDE ADAPTER & PLATE ASSEMBLY	1
4	-----	INSIDE LEVER HANDLE - SEE PAGE 9	1
5	-----	HANDLE SET SCREW 1/4-28 UNF	1
6	01-1495	MACHINE SCREW #8-32 X 5/8"	2
7	82-3088	INSIDE ADAPTER & PLATE ASSEMBLY	1
8	82-0399	STRAIGHT SPINDLE	1
9	82-0184	CAP NUT	1
10	01-0079	WASHER	2
11	82-3082	ADAPTER & PLATE ASSEMBLY	1
12	81-0723	MOUNTING POST	2
13	-----	OUTSIDE LEVER HANDLE-SEE PAGE 10	1
14	82-3217	ADAPTER & PLATE ASSEMBLY	1
15	82-3419	INNER PLATE & PLUG ASSEMBLY	1
16	01-2220	WOOD SCREW #6 X 3/4"	2
16	01-1020	MACHINE SCREW #6-32 X 1/2"	2
17	81-0065	OUTER PLATE	1
18	01-1019	MACHINE SCREW #12-24 X 1/2"	1