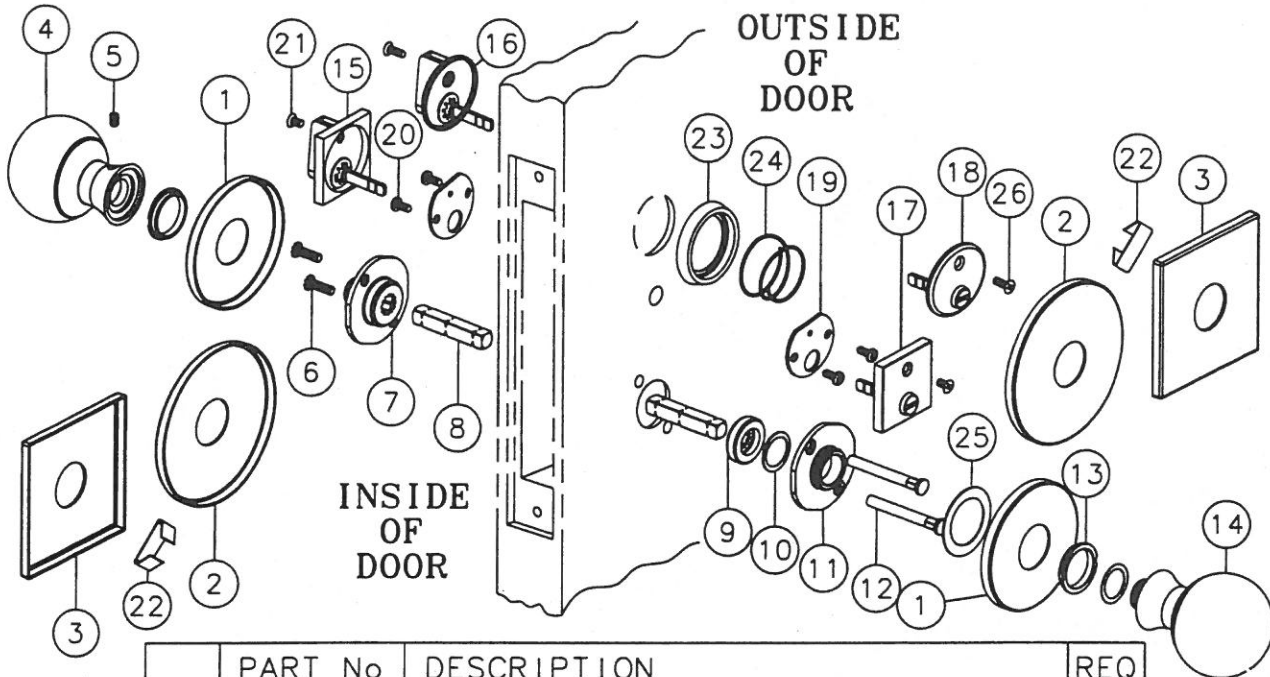


TRIM DESIGN	KNOB ROSES
FUNCTION	04,05,15,16,17,24,25,26,37,38,39 40,41,43,45,50,65,66,70,71,72,73

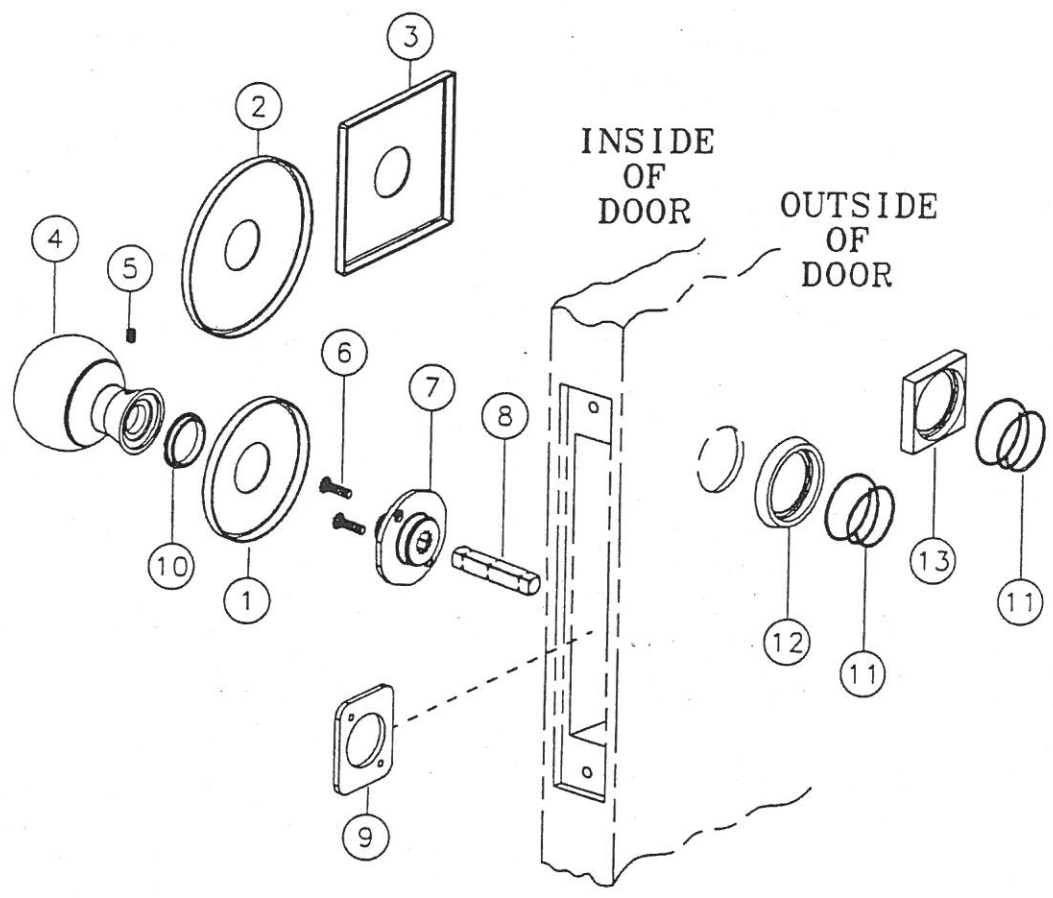
PARTS LIST	
PAGE NO. 64	
APR 03	REV. A



	PART No	DESCRIPTION	REQ
1	78-0020	ROSE - 'O' DESIGN	2
2	78-0019	ROSE - 'L' DESIGN	2
3	78-0018	ROSE - 'E' DESIGN	2
4	-----	INSIDE KNOB ASSEMBLY-SEE PAGE 8	1
5	-----	HANDLE SET SCREW 1/4-28 UNF	1
6	01-1495	MACHINE SCREW #8-32 X 5/8"	2
7	82-3088	INSIDE ADAPTER & PLATE ASSEMBLY	1
8	82-0368	SPINDLE	2
9	82-0184	CAP NUT	1
10	01-0079	WASHER	2
11	82-3082	ADAPTER & PLATE ASSEMBLY	1
12	81-0723	MOUNTING POST	2
13	78-0014	ROSE RETAINING NUT	2
14	-----	OUTSIDE KNOB ASSEMBLY-SEE PAGE 8	1
15	77-3278	TURN LEVER ASSEMBLY-130KA DESIGN	1
16	77-3277	TURN LEVER ASSEMBLY-130W DESIGN	1
17	77-2594	EMERGENCY BUTTON ASSEMBLY-184KA	1
18	81-2028	EMERGENCY BUTTON ASSEMBLY-184W	1
19	77-0551	BACK PLATE	2
20	01-4370	MACHINE SCREW #6-32 X 3/8"	4
20	01-1491	WOOD SCREW #6 X 3/8"	4
21	01-1154	MACHINE SCREW #6-32 X 1/4"	2
22	06-0183	ESCUTCHEON SPRING CLIP	2
23	13-0139	No.97 CYLINDER ROSETTE	-
24	13-0140	COMPRESSION SPRING	-
25	78-0138	FLAT FIBER WASHER ('O' ROSE ONLY)	1
26	01-2035	6 X 1/2" WOOD SCREW	2
26	01-3151	6-32 X 5/16" MACHINE SCREW	2

TRIM DESIGN	KNOB ROSES
FUNCTION	06,13

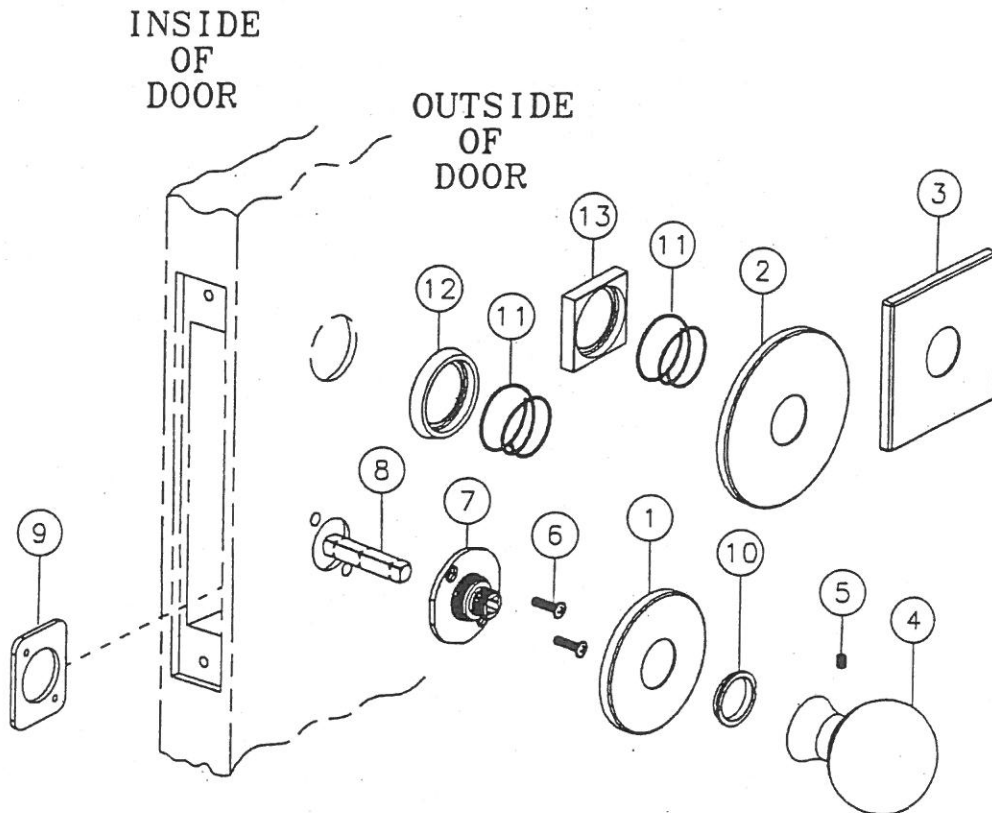
PARTS LIST
PAGE NO. 65
SEPTEMBER 2001



	PART No	DESCRIPTION	REQ
1	78-0020	ROSE - 'O' DESIGN	1
2	78-0019	ROSE - 'L' DESIGN	1
3	78-0018	ROSE - 'E' DESIGN	1
4	-----	INSIDE KNOB ASSEMBLY-SEE PAGE 8	1
5	-----	HANDLE SET SCREW 1/4-28 UNF	1
6	01-3173	MACHINE SCREW #8-32 X 3/4"	2
7	82-3088	INSIDE ADAPTER & PLATE ASSEMBLY	1
8	82-0368	SPINDLE	1
9	81-0655	INSIDE MOUNTING PLATE	1
10	78-0014	ROSE RETAINING NUT	1
11	13-0140	COMPRESSION SPRING	1
12	13-0139	97 CYLINDER ROSETTE (FOR 7800)	1
13	77-2628	KA CYLINDER ROSETTE (FOR 7800)	1

TRIM DESIGN	KNOB ROSES
FUNCTION	31, 35, 36

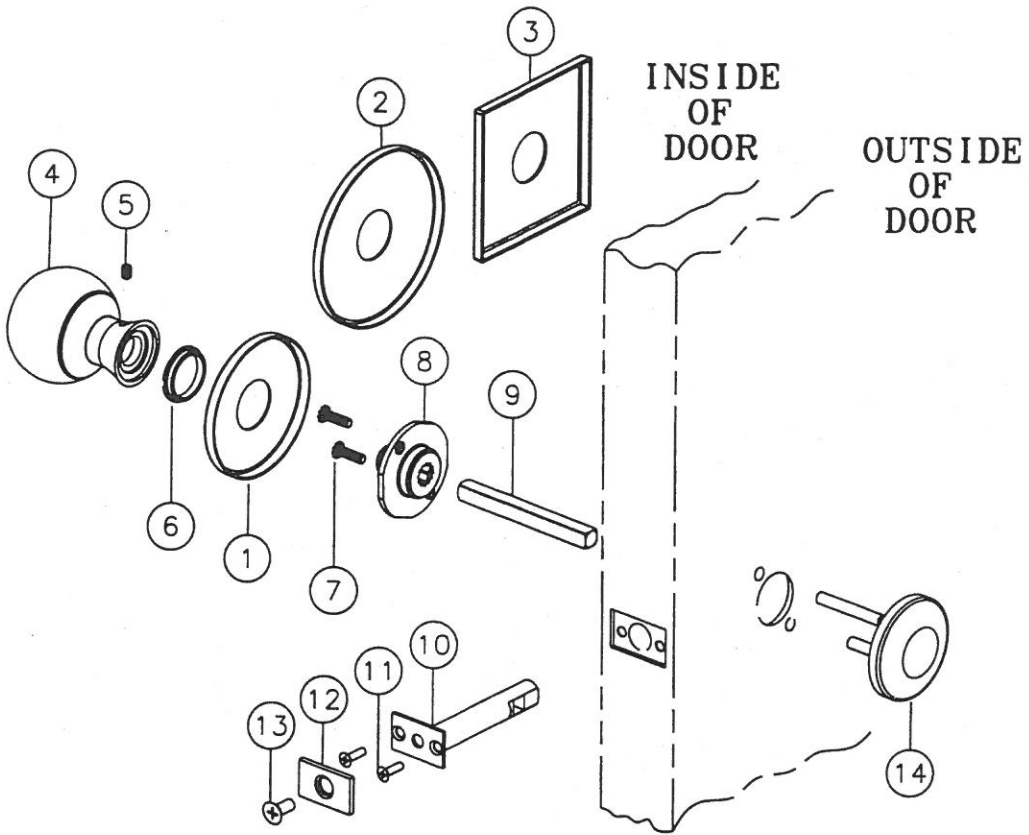
PARTS LIST
PAGE NO. 66
SEPTEMBER 2001



	PART No	DESCRIPTION	REQ
1	78-0020	ROSE - 'O' DESIGN	1
2	78-0019	ROSE - 'L' DESIGN	1
3	78-0018	ROSE - 'E' DESIGN	1
4	-----	INSIDE KNOB ASSEMBLY-SEE PAGE 8	1
5	-----	HANDLE SET SCREW 1/4-28 UNF	1
6	01-3173	MACHINE SCREW #8-32 X 3/4"	2
7	82-3088	INSIDE ADAPTER & PLATE ASSEMBLY	1
8	82-0368	SPINDLE	1
9	81-0655	INSIDE MOUNTING PLATE	1
10	78-0014	ROSE RETAINING NUT	1
11	13-0140	COMPRESSION SPRING	1
12	13-0139	97 CYLINDER ROSETTE (FOR 7800)	1
13	77-2628	KA CYLINDER ROSETTE (FOR 7800)	1

TRIM DESIGN	KNOB ROSES
FUNCTION	93

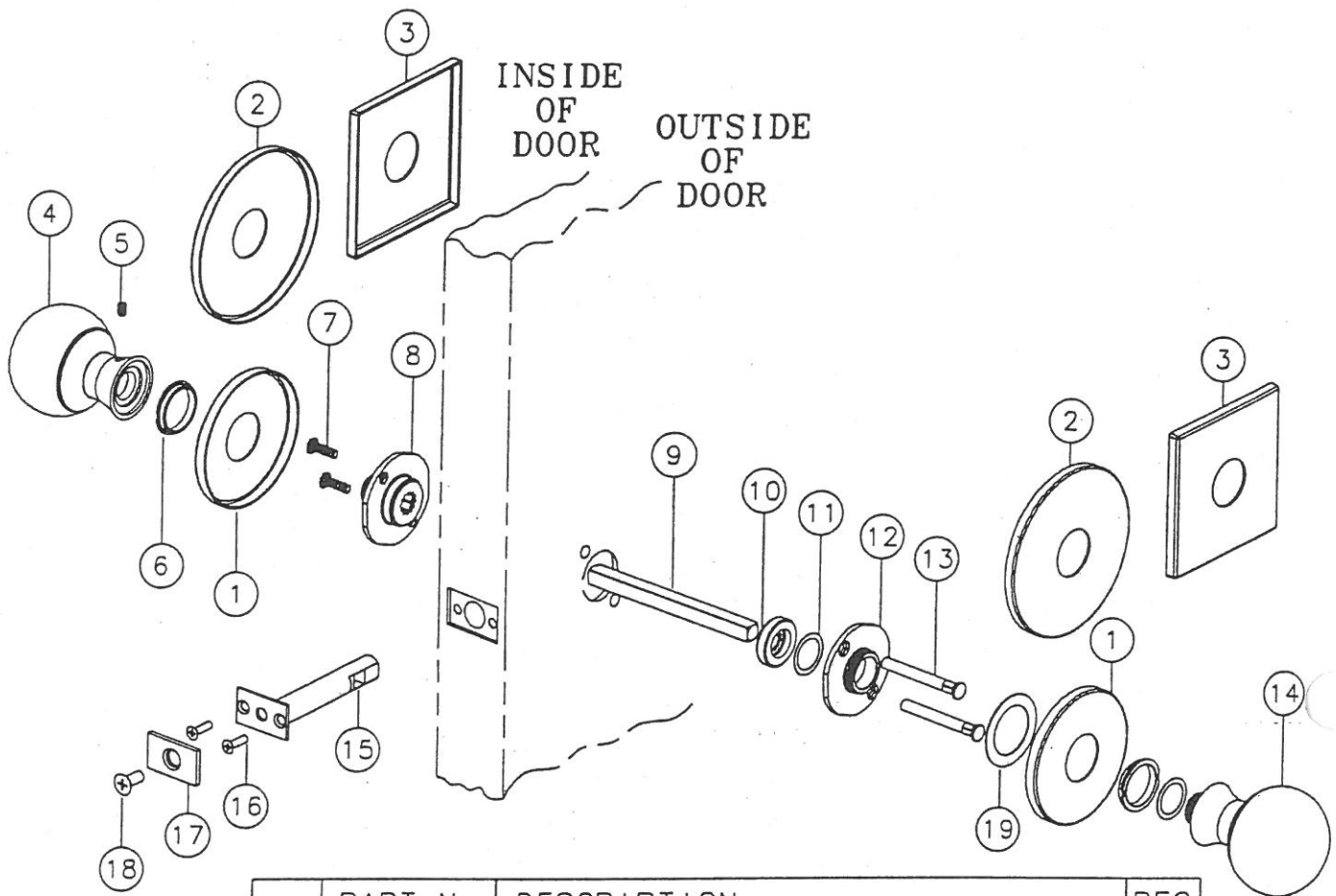
PARTS LIST	
PAGE NO. 67	
APR 03	REV. A



	PART No	DESCRIPTION	REQ
1	78-0020	ROSE - 'O' DESIGN	2
2	78-0019	ROSE - 'L' DESIGN	2
3	78-0018	ROSE - 'E' DESIGN	2
4	-----	INSIDE KNOB ASSEMBLY-SEE PAGE 8	1
5	-----	HANDLE SET SCREW 1/4-28 UNF	1
6	78-0014	ROSE RETAINING NUT	1
7	01-1495	MACHINE SCREW #8-32 X 5/8"	2
8	82-3088	INSIDE ADAPTER & PLATE ASSEMBLY	1
9	82-0396	SPINDLE	1
10	82-3419	INNER PLATE & PLUG ASSEMBLY	1
11	01-2220	WOOD SCREW #6 X 3/4"	2
11	01-1020	MACHINE SCREW #6-32 X 1/2"	2
12	81-0065	OUTER PLATE	1
13	01-1019	MACHINE SCREW #12-24 X 1/2"	1
14	82-4023	THRU-BOLT PLATE ASSEMBLY	1

TRIM DESIGN	KNOB ROSES
FUNCTION	94

PARTS LIST
PAGE NO. 68
JANUARY 2001



	PART No	DESCRIPTION	REQ
1	78-0020	ROSE - 'O' DESIGN	2
2	78-0019	ROSE - 'L' DESIGN	2
3	78-0018	ROSE - 'E' DESIGN	2
4	-----	INSIDE KNOB ASSEMBLY-SEE PAGE 8	1
5	-----	HANDLE SET SCREW 1/4-28 UNF	1
6	78-0014	ROSE RETAINING NUT	2
7	01-1495	MACHINE SCREW #8-32 X 5/8"	2
8	82-3088	INSIDE ADAPTER & PLATE ASSEMBLY	1
9	82-0399	STRAIGHT SPINDLE	1
10	82-0184	CAP NUT	1
11	01-0079	WASHER	2
12	82-3082	ADAPTER & PLATE ASSEMBLY	1
13	81-0723	MOUNTING POST	2
14	-----	OUTSIDE KNOB ASSEMBLY-SEE PAGE 8	1
15	82-3419	INNER PLATE & PLUG ASSEMBLY	1
16	01-2220	WOOD SCREW #6 X 3/4"	2
16	01-1020	MACHINE SCREW #6-32 X 1/2"	2
17	81-0065	OUTER PLATE	1
18	01-1019	MACHINE SCREW #12-24 X 1/2"	1
19	78-0138	FLAT FIBER WASHER ('O' ROSE ONLY)	1