

For additional trims, mortise lock parts and auxiliary controls, consult 80 series parts breakdown.

<b>Center Cases</b>	
<b>9700 - Surface Vertical Rod Exit Device</b>	
9706, 9713, 12-9706, 12-9713 .....	97.1
9710, 12-9710 .....	97.2
9715, 12-9715 .....	97.3
9728, 12-9728 .....	97.4
9762, 9763, 12-9762, 12-9763 .....	97.5
Top Case Assembly 9700, 13-9700 .....	97.6
Bottom Case Assembly 9700, 13-9700 .....	97.7
<b>9800 Rim Exit Device</b>	
9804, 9810 .....	98.1
9813 .....	98.2
9815 .....	98.3
9828 .....	98.4
9863 .....	98.5
9898 .....	98.6
<b>9900 Mortise Lock Exit Device</b>	
9904, 9910, 9913, 9915, 9963 .....	99.1
<b>Crossbar</b>	
Crossbar, Cap & Screws .....	99.2
<b>Hinge Stile Case</b> .....	99.3
<b>Outside Trim</b>	
STS .....	99.4
PTB .....	99.5
MAL .....	99.6
<b>Screw Packs</b>	
Screw Pack Items .....	99.7
Screw Packs .....	99.8
<b>Numerical Parts List</b> .....	99.9 - 99.11

### Parts List

Page No.	Rev.
90.0	A

# 90 series Parts List

9710

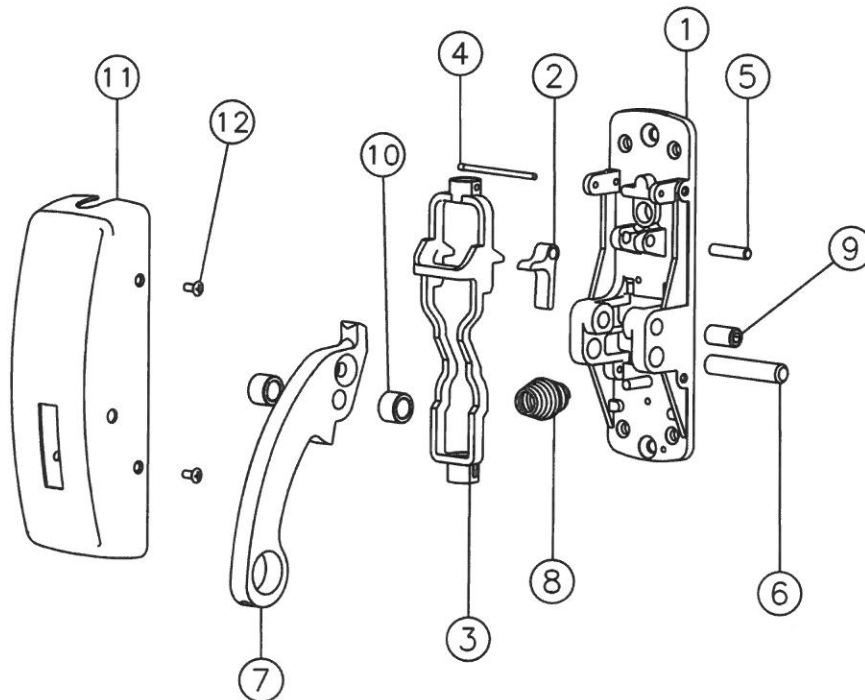
Parts List  
Page No. Rev.  
97.1 A  
05/10/2004

CHASSIS ASSEMBLY  
LESS COVER

9700	10 FUNCTION	97-2040 *
------	-------------	-----------

ITEM	ASSY NO.	PART NO.	DESCRIPTION	QTY
1	97-2851	—	CHASSIS	1
2		97-0075	LIFT LEVER	1
3		97-0577	MAIN SLIDE	1
4		68-0323	CHASSIS PIN	1
5		68-0324	PIVOT PIN LIFT LEVER	1
6		97-0030	PIVOT PIN MAIN ARM	1
7		97-0028	MAIN ARM *	1
8		97-0012	MAIN ARM SPRING	1
9		01-1494	BAR LOCK SCREW	2
10		97-0031	MAIN ARM SPACER	2
11		97-0370	COVER *	1
12		97-0052	SCREW * #8-32 x 5/16	4
		97-0049	ROD ADJUSTING PIN	2
		68-2143	STD. SRCEW PACK	1

\* SPECIFY FINISH



90 series  
Parts List

9706  
9713

Parts List  
Page No. 97.2A  
Rev. A  
05/10/2004

CHASSIS ASSY  
LESS COVER  
9700 06 & 13 FUNCTIONS ± 97-2042

ITEM	ASSY NO.	PART NO.	DESCRIPTION	QTY
1	97-2853	—	CHASSIS	1
2		97-2001	LOCKING SLIDE ASSY	1
3		97-2048	CYLINDER HUB AND PIN ASSY	1
4		97-0006	LOCKING SLIDE SPRING RHRB	1
5		01-1190	SCREW SELF TAPPING #6-32 X 5/16	1
6		97-0075	LIFT LEVER	1
7		97-0577	MAIN SLIDE	1
8		97-0050	KNOB RETURN SPRING	1
9		01-0007	GROOVE PIN	1
10		97-0037	THUMBPIECE SLIDE	1
11		01-0749	GROOVE PIN	1
12		68-0323	CHASSIS PIN	1
13		68-0324	PIVOT PIN LIFT LEVER	1
14		01-0005	RETAINING RING	1
15		97-0043	KNOB HUB RETAINER	1
16		97-0042	KNOB HUB	1
17		68-0367	KNOB HUB COVER	1
18		01-3384	SCREW #8-32 X 7/16	2
19		97-0030	PIVOT PIN MAIN ARM	1
20		01-1494	BAR LOCK SCREW	2
21		97-0012	MAIN ARM SPRING	1
22		97-0028	MAIN ARM *	1
23		97-0031	MAIN ARM SPACER	2
24		97-0370	COVER *	1
25		97-0052	SCREW * #8-32 X 5/16	4
		97-0049	ROD ADJUSTING PIN	2
		68-2143	STD. SCREW PACK	

\* SPECIFY FINISH

± FOR 9706 x ET OR 9713 x ET USE 9715 CHASSIS

THIS PAGE MUST FACE 97.2B

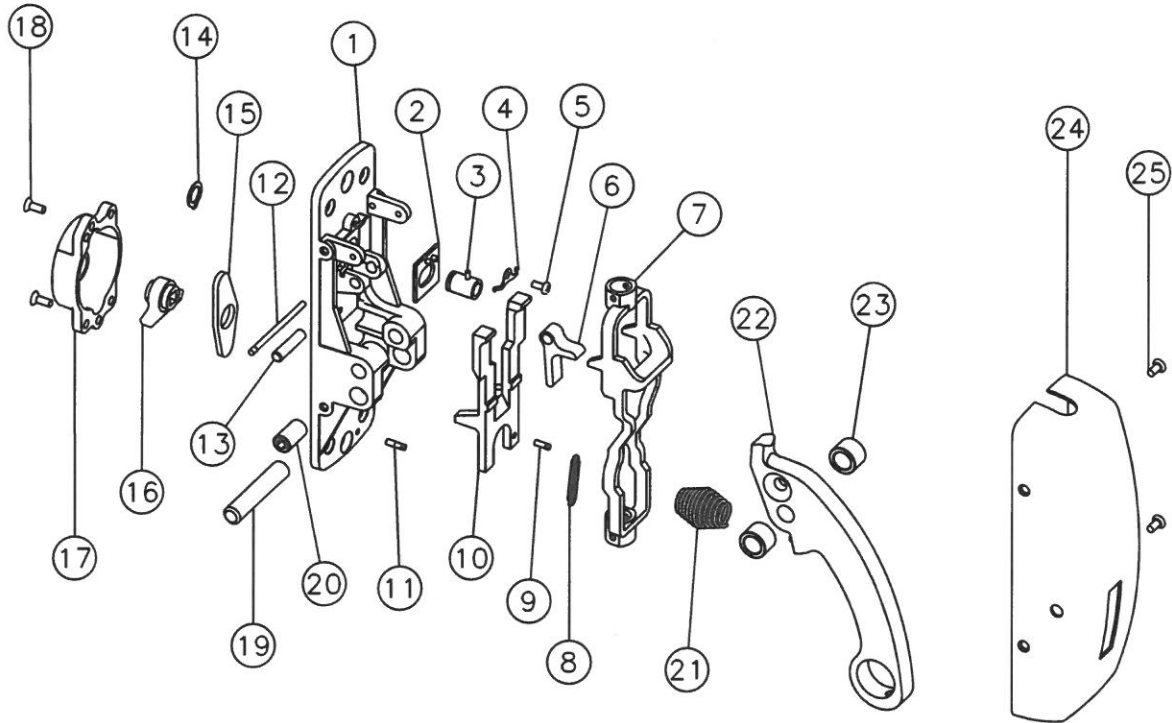
90 series  
Parts List

9706  
9713

Parts List  
Page No. 97.2B  
Rev. A  
05/10/2004

CHASSIS ASSY  
LESS COVER

9700	06 & 13 FUNCTIONS ±	97-2042
------	---------------------	---------



THIS PAGE MUST FACE 97.2A

# 90 series

## Parts List

9715

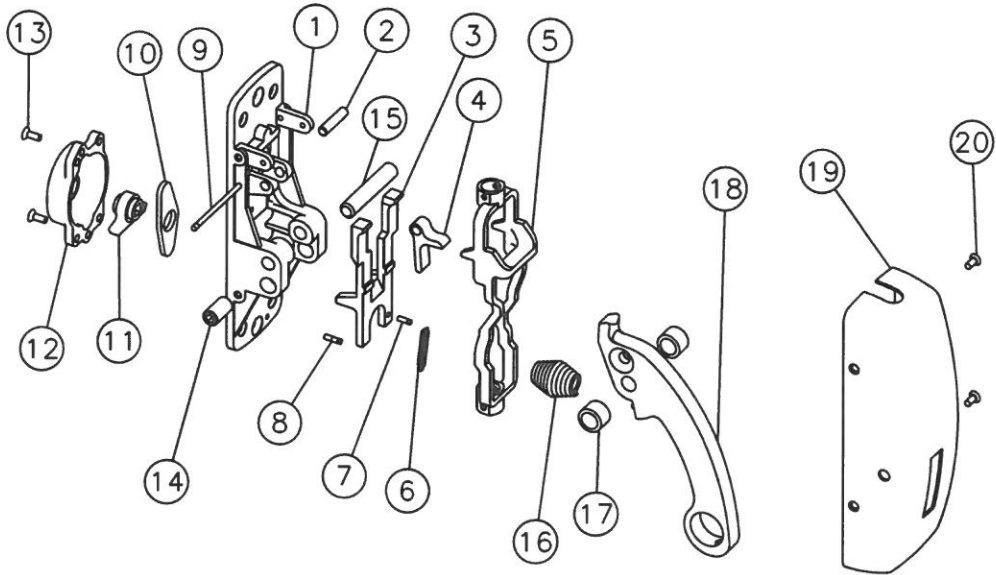
Parts List  
 Page No. Rev.  
 97.3 A  
 05/10/2004

CHASSIS ASSY  
 LESS COVER

9700 | 15 FUNCTION | 97-2381

ITEM	PART NO.	PART NO.	DESCRIPTION	QTY
1		—	CHASSIS	1
2		68-0324	PIVOT PIN	1
3		97-0037	THUMBPIECE SLIDE	1
4		97-0075	LIFT LEVER	1
5		97-0577	MAIN SLIDE	1
6	97-2854	97-0050	KNOB RETURN SPRING	1
7		01-0007	GROOVE PIN	1
8		01-0749	GROOVE PIN	1
9		68-0323	CHASSIS PIN	1
10		97-0043	KNOB HUB RETAINER	1
11		97-0042	KNOB HUB	1
12		68-0367	KNOB HUB COVER	1
13		01-3384	MACHINE SCREW 8-32	2
14		01-1494	OVAL POINT SET SCREW 7/16-14	2
15		97-0030	CENTER CASE PIVOT PIN	1
16		97-0012	CASE AND BRACKET SPRING	1
17		97-0031	MAIN ARM SPACER	2
18		97-0028	MAIN ARM	1
19		97-0370	COVER *	1
20		97-0052	SCREW * #8-32 X 5/16	4
		97-0049	ROD ADJUSTMENT PIN	2
		68-2143	STD. SCREW PACK	1

\* SPECIFY FINISH



# 90 series Parts List

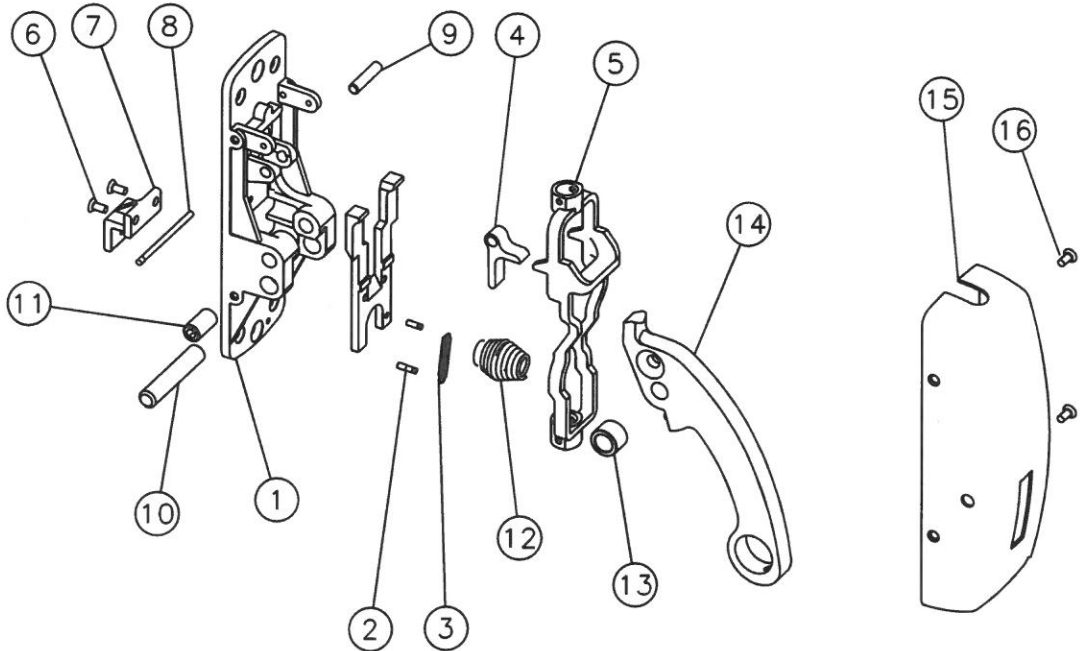
9728

Parts List  
Page No. 97.4 Rev. A  
05/10/2004

		CHASSIS ASSY LESS COVER
9700	28 FUNCTION	97-2384

ITEM	ASSY NO.	PART NO.	DESCRIPTION	QTY
1		—	CHASSIS	1
2		01-0749	GROOVE PIN	1
3		97-0050	KNOB RETURN SPRING	1
4		68-0325	LIFT LEVER	1
5	97-2855	97-0577	MAIN SLIDE	1
6		01-1146	SCREW #8-32 X 3/8	2
7		97-0089	THUMB PIECE LEVER	1
8		68-0323	CHASSIS PIN	1
9		68-0324	PIVOT PIN LIFT LEVER	1
10		97-0030	PIVOT PIN MAIN ARM	1
11		01-1494	SET SCREW	2
12		97-0012	SPRING MAIN ARM	1
13		97-0031	MAIN ARM SPACER	2
14		97-0028	MAIN ARM *	1
15		97-0370	COVER *	1
16		97-0052	SCREW * #8-32 X 5/16	4
		97-0049	ROD ADJUSTING PIN	2
		68-2143	STD SCREW PACK	

\* SPECIFY FINISH



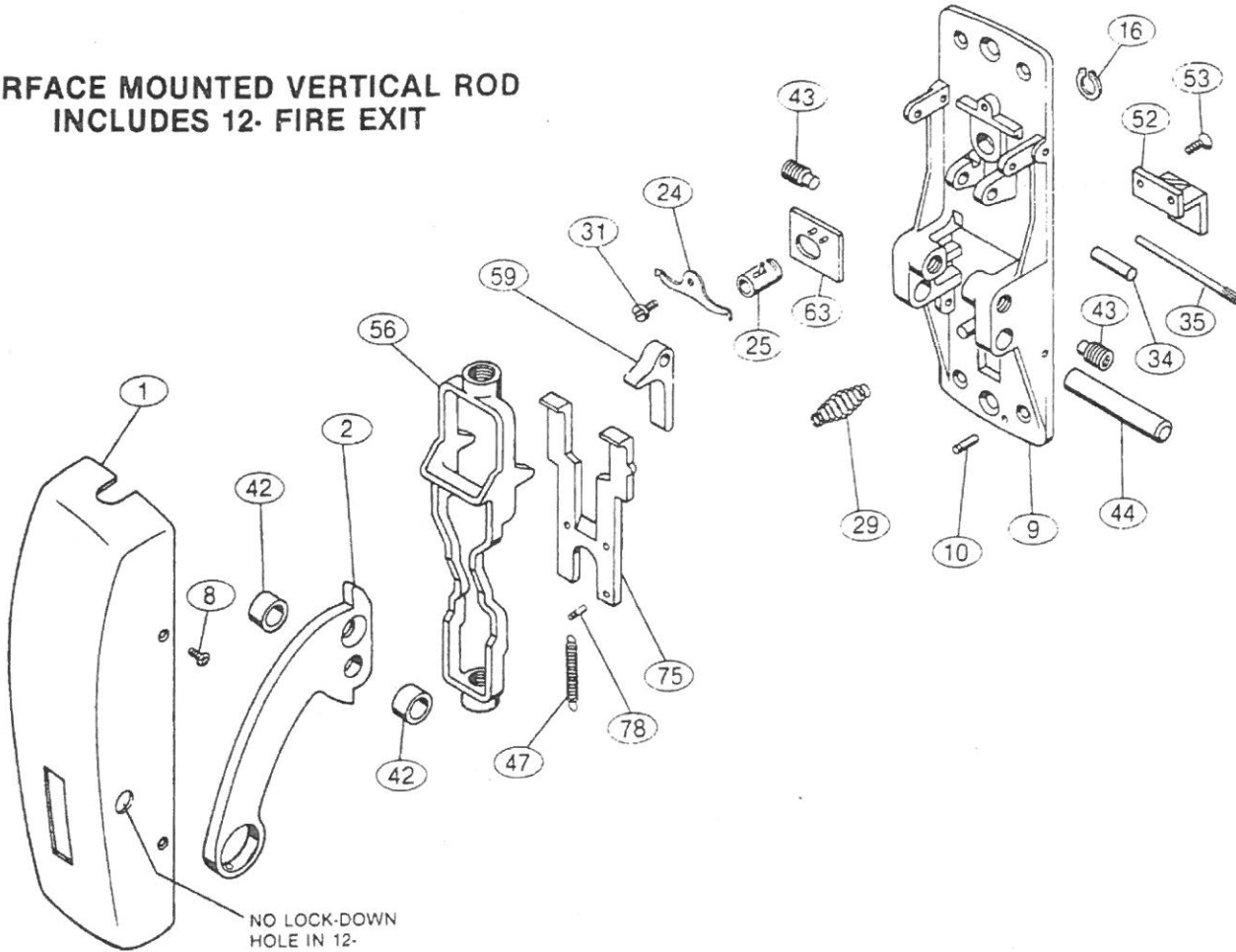
# 90 series

## Center Case

9762  
9763  
12-9762  
12-9763

			Full Chassis Assembly	Chassis Assembly Less Cover	Full 12- Prefix Chassis Assembly	12- Prefix Chassis Less Cover
9700	62 & 63 Function	LHRB RHRB	97-2263	97-2260	97-2305	97-2302

### SURFACE MOUNTED VERTICAL ROD INCLUDES 12- FIRE EXIT



ITEM NO.	ORDER NO.	DESCRIPTION	REQ
1	97-0370	Cover	1
1	97-0086	Cover (12- Fire Exit)	1
2	97-0028	Arm	1
8	97-0052	Cover Screw	4
9	97-0022	Vertical Rod Chassis	1
10	01-0008	Groove Pin (No. 6)	1
16	01-0005	Truarc Ring	1
24	97-0006	Locking Slide Spring	1
25	97-2048	Cylinder Hub & Pin Assy.	1
29	97-0012	Main Arm Spring	1
31	01-1190	Machine Screw (#6-32)	1
34	68-0324	Lift Lever Pivot Pin	1
35	68-0323	Chassis Pin	1

ITEM NO.	ORDER NO.	DESCRIPTION	REQ
42	97-0031	Main Arm Spacer	2
43*	97-0010	Bar Locking Screw	2
44	97-0030	Pivot Pin	1
47	97-0050	Knob Return Spring	1
52	97-0089	Thumb Piece Lever	1
53	01-1146	Screw (8-32)	2
56	97-0032	Main Slide	1
59	97-0075	Lift Lever	1
63	97-2001	Locking Slide Assy.	1
75	97-0090	Thumb Piece Slide	1
78	01-0007	Groove Pin (No. 7)	1

\*Not used on 12- fire exit

**Parts List**  
Page No. Rev.  
97.5 A

90 series  
Parts List

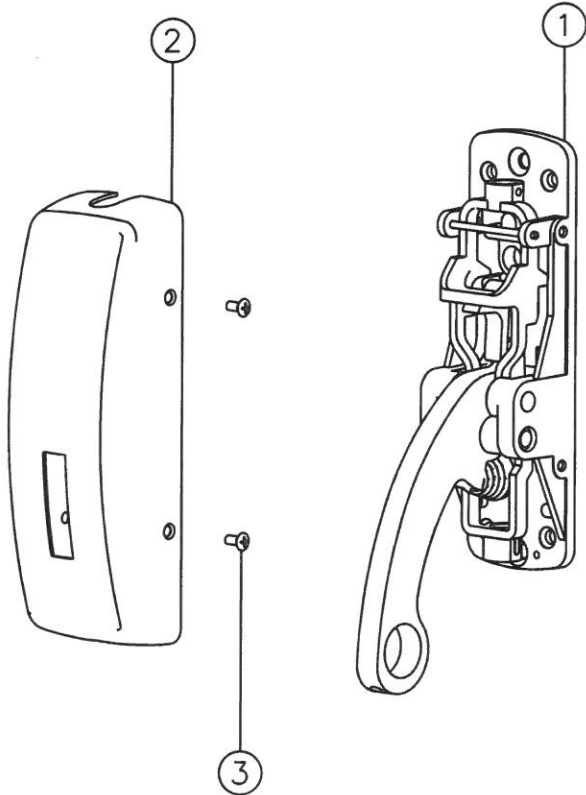
12-9710  
12-9706  
12-9713  
12-9715  
12-9728  
12-9762  
12-9763

Parts List  
Page No. Rev.  
97.6 A  
05/10/2004

		CHASSIS ASSEMBLY LESS COVER
12-9700	10 FUNCTION	97-2237
	06 & 13 FUNCTION °	97-2240
	15 FUNCTION °	97-2406
	28 FUNCTION	97-2407
	62 & 63 FUNCTION	97-2302

ITEM	ASSY NO.	PART NO.	DESCRIPTION	QTY
1		SEE ABOVE	CHASSIS ASSEMBLY *	1
2		97-0086	COVER *	1
3		97-0052	SCREW * #8-32 X 5/16	4
		97-0049	ROD ADJUSTING PIN	2
		68-2143	STD SCREW PACK	1

\* SPECIFY FINISH  
° FOR 06 OR 13 FUNCTION BY ET  
USE 15 FUNCTION CHASSIS.





# 90 series Parts List

9706 9710 9713  
9715 9728 9762  
9763

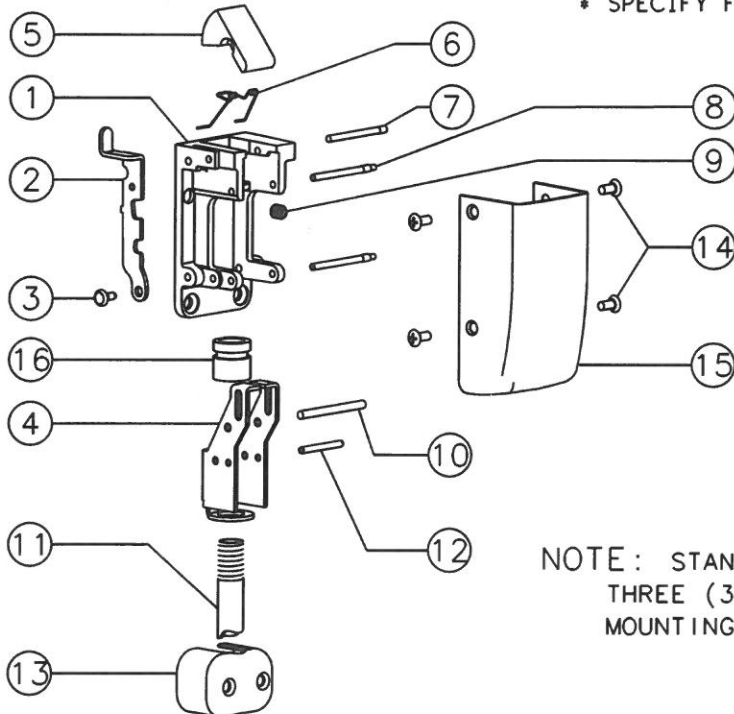
Parts List  
Page No. Rev.  
97.7 A  
05/10/2004

CHASSIS ASSEMBLY LESS COVER			
9700	MANUFACTURED BEFORE 05/10/2004	LHRB RHRB	97-2434
9700	MANUFACTURED AFTER 05/10/2004	LHRB RHRB	68-4557

MANUFACTURED BEFORE 11/11/2002			
ITEM	PART NO.	DESCRIPTION	QTY
1	—	TOP CHASSIS	1
2	68-1155	LATCH RETRACTING LEVER	1
3	97-0065	PIVOT PIN LATCH RETRACTING LEVER	1
4	97-0298	TOP SLIDE	1
5	97-0296	LATCHBOLT	1
6	97-0300	SPRING LATCHBOLT	1
7	97-0294	PIVOT PIN LATCHBOLT	1
8	97-0046	RETAINING PIN TOP SLIDE	2
9	97-0579	SPRING LATCH RETRACTING LEVER	1
10	01-0461	SPIROL PIN LATCH HOLD BACK	1
11	97-0034	TOP ROD * (SPECIFY DOOR SIZE AND CROSS BAR HEIGHT)	1
12	97-0048	RETAINING PIN TOP ROD	1
13	97-0020	ROD GUIDE	1
14	97-0052	SCREW #8-32 X 5/16 *	4
15	97-0018	TOP COVER *	1
—	68-2113	SCREW PACK	1
—	629	TOP STRIKE PACK	1

MANUFACTURED AFTER 11/11/2002			
ITEM	PART NO.	DESCRIPTION	QTY
1	—	TOP CHASSIS	1
2	68-1155	LATCH RETRACTING LEVER	1
3	97-0065	PIVOT PIN LATCH RETRACTING LEVER	1
4	97-0298	TOP SLIDE	1
5	97-0296	LATCHBOLT	1
6	97-0300	SPRING LATCHBOLT	1
7	97-0294	PIVOT PIN LATCHBOLT	1
8	97-0046	RETAINING PIN TOP SLIDE	2
9	97-0579	SPRING LATCH RETRACTING LEVER	1
10	01-0461	SPIROL PIN LATCH HOLD BACK	1
11	68-0003	TOP ROD * (SPECIFY DOOR SIZE AND CROSS BAR HEIGHT)	1
12	01-0002	RETAINING PIN TOP ROD ADJUSTER	1
13	97-0020	ROD GUIDE	1
14	97-0052	SCREW #8-32 X 5/16 *	4
15	97-0018	TOP COVER *	1
16	68-1455	TOP ROD ADJUSTER	1
—	68-2113	SCREW PACK	1
—	629	TOP STRIKE PACK	1

\* SPECIFY FINISH



NOTE: STANDARD TOP CHASSIS HAS  
THREE (3) SCREW HOLES FOR  
MOUNTING TO DOOR.

90 series  
Parts List

12-9706 12-9710  
12-9713 12-9715  
12-9728 12-9762  
12-9763

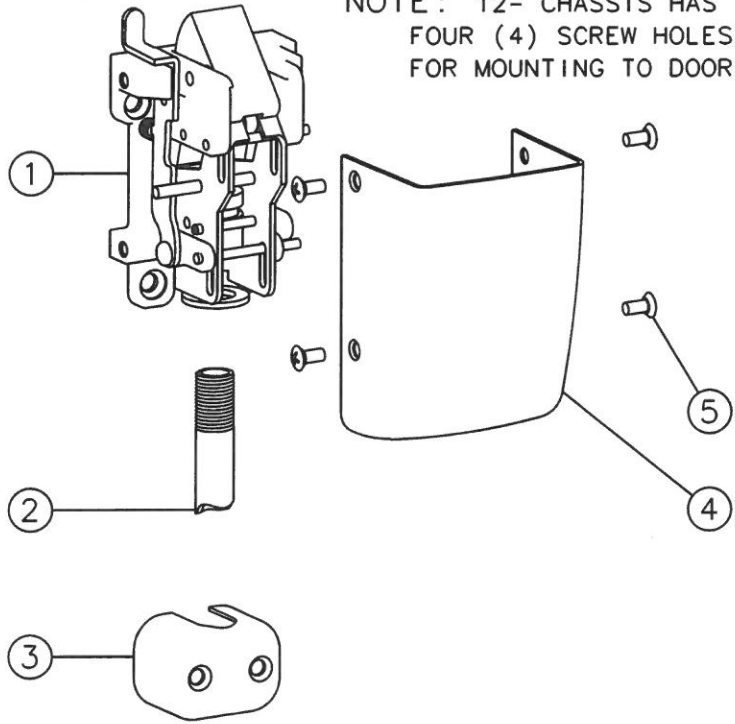
Parts List  
Page No. Rev.  
97.8 A  
05/10/2004

		TOP CHASSIS LESS COVER
12-9700	MANUFACTURED BEFORE 05/10/2004	LHRB RHRB 97-2963
12-9700	MANUFACTURED AFTER 05/10/2004	LHRB RHRB 68-4559

ITEM	PART NO.	DESCRIPTION	QTY
1	SEE ABOVE	CHASSIS ASSEMBLY	1
2	97-0034	TOP ROD FOR 97-2963 (SPECIFY DOOR SIZE AND CROSS BAR HEIGHT) *	1
	68-0003	TOP ROD FOR 68-4559 (SPECIFY DOOR SIZE AND CROSS BAR HEIGHT) *	
3	97-0020	ROD GUIDE *	1
4	97-0392	TOP CHASSIS COVER *	1
5	97-0052	SCREW #8-32 X 5/16 *	4
	97-0049	TOP ROD ADJ. PIN FOR 97-2963	1
	97-0051	SPRING FOR LATCH RETRACTOR LEVER	1
	68-3026	12- SCREW PACK WOOD DOOR 1 3/4"	1
	68-3027	12- SCREW PACK WOOD DOOR 2 1/4"	
	68-3028	12- SCREW PACK METAL DOOR	
	646	ADJUSTABLE STRIKE PACK	1
	655	FLAT STRIKE PACK	

\* SPECIFY FINISH

NOTE: 12- CHASSIS HAS  
FOUR (4) SCREW HOLES  
FOR MOUNTING TO DOOR.



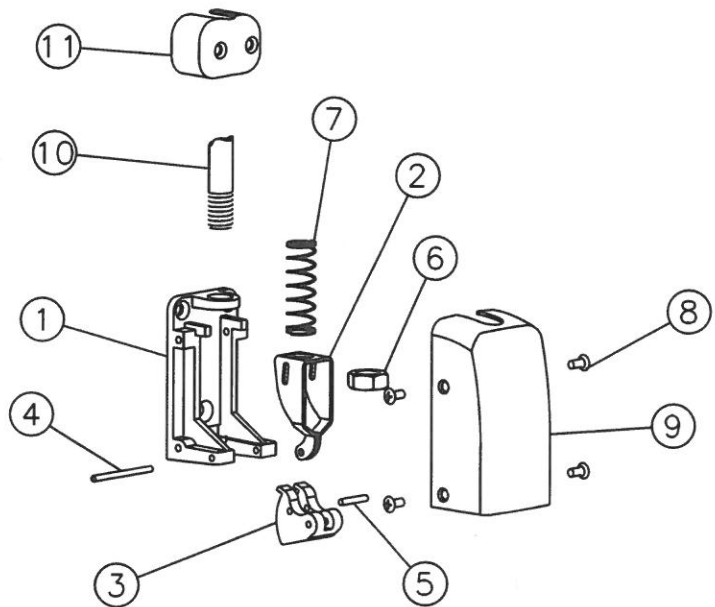
90 series  
Parts List

9706 9710  
9713 9715  
9728 9762  
9763

Parts List  
Page No. Rev.  
97.9 A  
05/10/2004

			BOTTOM CASE LESS COVER
9700	MANUFACTURED BEFORE 05/10/2004	LHRB RHRB	97-2038
9700	MANUFACTURED AFTER 05/10/2004	LHRB RHRB	68-4549

ITEM	ASSY. NO.	PART NO.	DESCRIPTION	QTY
1	97-2038	—	BOTTOM CHASSIS	1
2		97-0035	RETRACTOR	1
3		97-0053	LATCHBOLT	1
4		97-0048	PIVOT PIN LATCHBOLT	1
5		68-1094	SPIROL PIN	1
1	68-4549	—	BOTTOM CHASSIS	1
2		97-0035	RETRACTOR	1
3		97-0053	LATCHBOLT	1
4		97-0048	PIVOT PIN LATCHBOLT	1
5		68-1094	SPIROL PIN	1
6		97-0572	ADJUSTMENT NUT	1
7		97-0101	SPRING	1
8		97-0052	SCREW * #8-32 x 5/16	4
9		97-0018	BOTTOM COVER *	1
10		68-0003	BOTTOM ROD * SPECIFY W/WO THRESHOLD AND CROSSBAR HEIGHT.	1
11		97-0020	ROD GUIDE *	1
—		97-0048	ADJUSTMENT PIN BOTTOM ROD	1
—		68-2113	SCREW PACK BOTTOM AND TOP CASES	1
—		624	STD BOTTOM STRIKE PACK	1



90 series  
Parts List

14-9706 14-9710  
14-9713 14-9715  
14-9728 14-9762  
14-9763

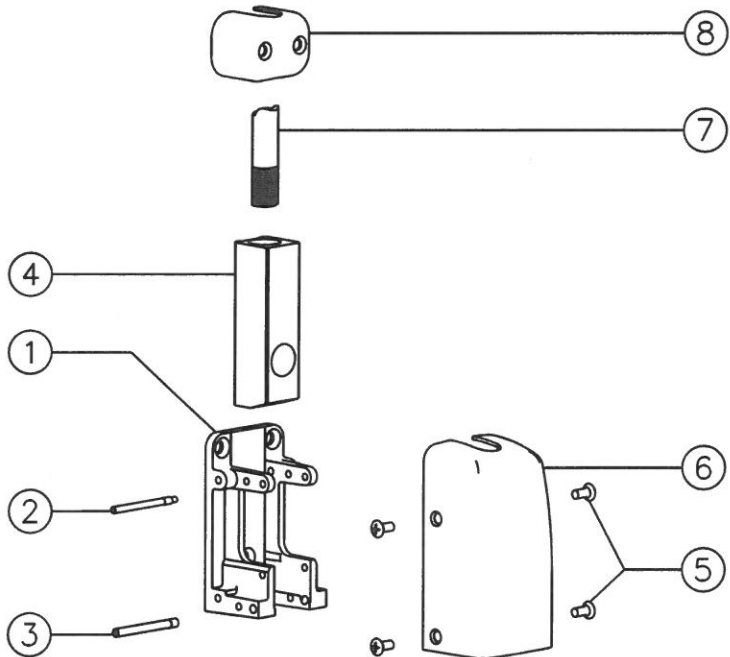
Parts List  
Page No. 97.10 Rev. A  
05/10/2004

			BOTTOM CASE LESS COVER
14-9700	MANUFACTURED BEFORE 05/10/2004	LHRB RHRB	97-2039
14-9700	MANUFACTURED AFTER 05/10/2004	LHRB RHRB	68-4556

ITEM	ASSY. NO.	PART NO.	DESCRIPTION	QTY
1	97-2039	—	BOTTOM CHASSIS	1
2		97-0046	RETAINING PIN	1
3		97-0045	BUSHING PIN	1
4		97-0039	SLIDING BOLT	1
1	68-4556	—	BOTTOM CHASSIS	1
2		97-0046	RETAINING PIN	1
3		97-0045	BUSHING PIN	1
4		68-1456	SLIDING BOLT	1
5		97-0052	SCREW * #8-32 x 5/16	4
6		97-0018	BOTTOM COVER *	1
7		68-0003	BOTTOM ROD * SPECIFY W/WO THRESHOLD AND CROSSBAR HEIGHT.	1
8		97-0020	ROD GUIDE *	1
—	FOR 97-2039 ONLY	97-0048	ADJUSTMENT PIN BOTTOM ROD	1
—		68-2113	SCREW PACK BOTTOM AND TOP CASES	1
—		647	14- BOTTOM STRIKE PACK	1

\* SPECIFY FINISH

68-4556 SHOWN



90 series  
Parts List

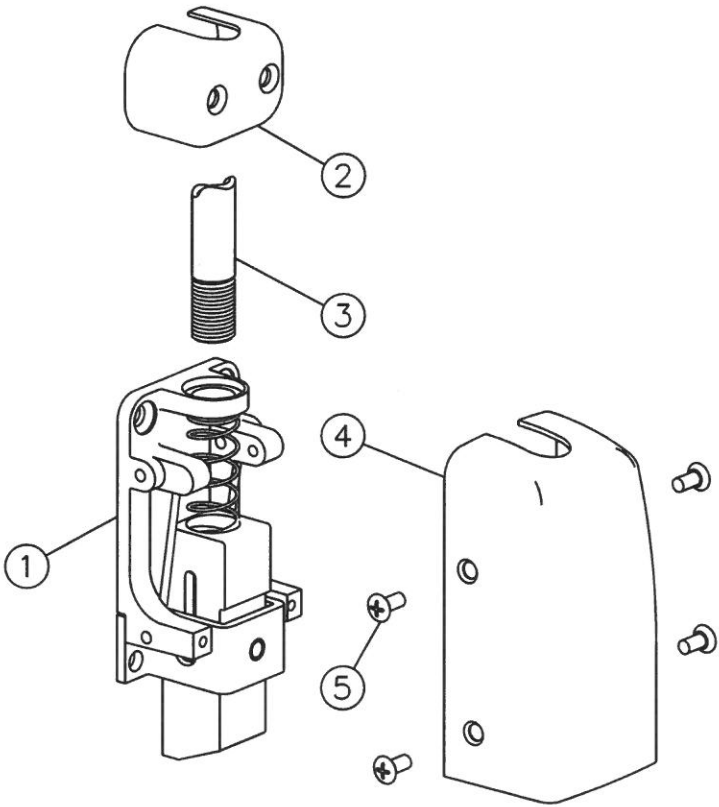
12-9706 12-9710  
12-9713 12-9715  
12-9728 12-9762  
12-9763

Parts List  
Page No. Rev.  
97.11 A  
05/10/2004

			BOTTOM CHASSIS LESS COVER
12-9700	MANUFACTURED BEFORE 05/10/2004	LHRB RHRB	97-2002
12-9700	MANUFACTURED AFTER 05/10/2004	LHRB RHRB	68-4558

ITEM	PART NO.	DESCRIPTION	QTY
1	SEE ABOVE	BOTTOM CHASSIS ASSEMBLY	1
2	97-0020	ROD GUIDE *	1
3	68-0003	BOTTOM ROD (SPECIFY W/WO THRESHOLD AND CROSSBAR HEIGHT.) *	1
4	97-0087	BOTTOM COVER *	1
5	97-0052	SCREW #8-32 X 5/16 *	4
	68-3026	12- SCREW PACK WOOD DOOR 1 3/4"	1
	68-3027	12- SCREW PACK WOOD DOOR 2 1/4"	
	68-3028	12- SCREW PACK METAL DOOR	
	68-3924	HC SCREW PACK TOP AND BOTTOM CASES	
	646	ADJUSTABLE STRIKE PACK	1
	655	FLAT STRIKE PACK	

\* SPECIFY FINISH



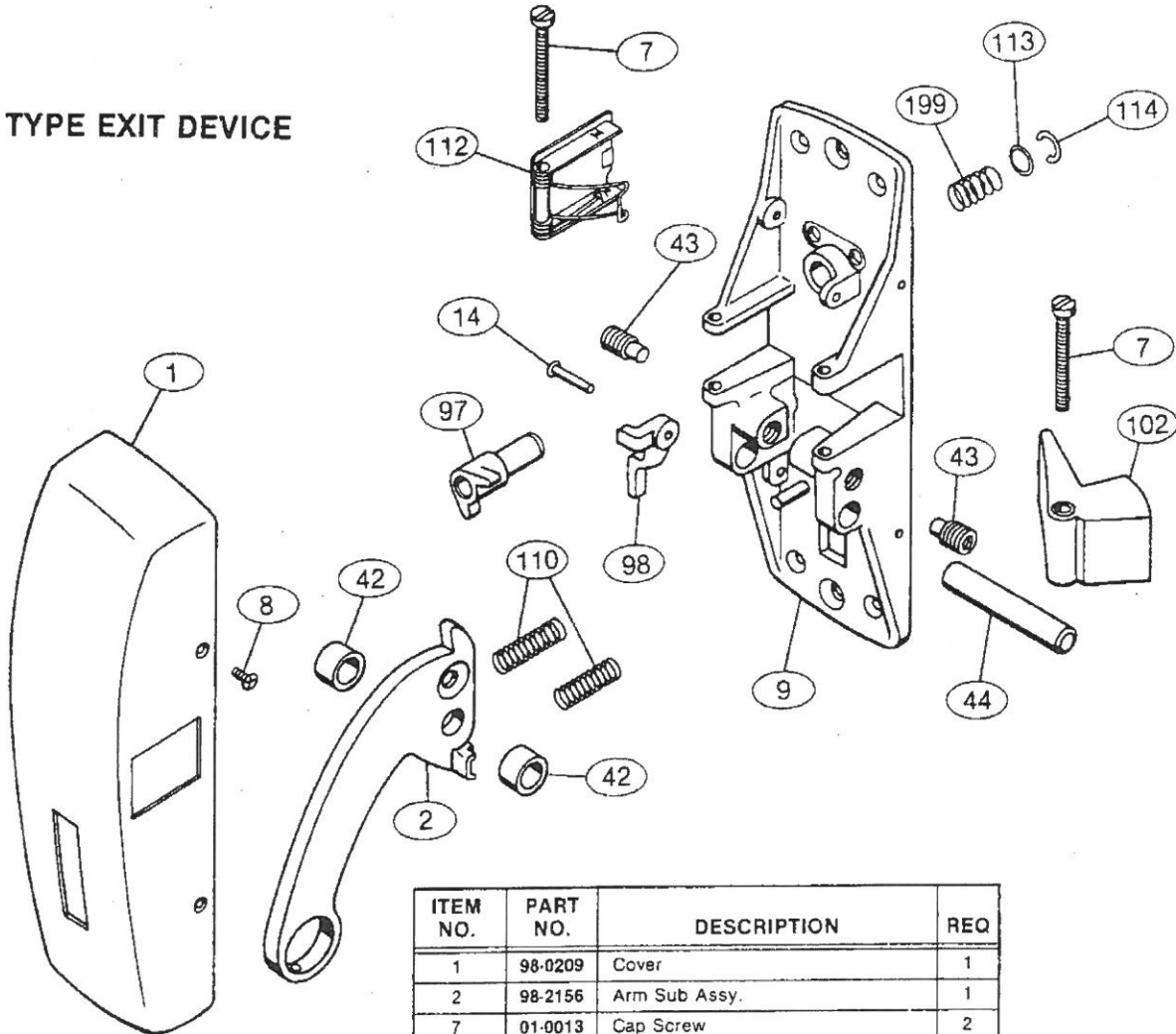
# 90 series

## Center Case

9804  
9810

			Full Chassis Assembly	Chassis Assembly Less Cover	Full 12- Prefix Chassis Assembly	12- Prefix Chassis Less Cover
9800	04 Function	LHRB RHRB	98-2510	98-2503	98-2486 98-2487	98-2469 98-2470
9800	10 Function	LHRB RHRB	98-2511	98-2504	98-2488 98-2489	98-2471 98-2472

### RIM TYPE EXIT DEVICE



### 9804 Function Illustrated

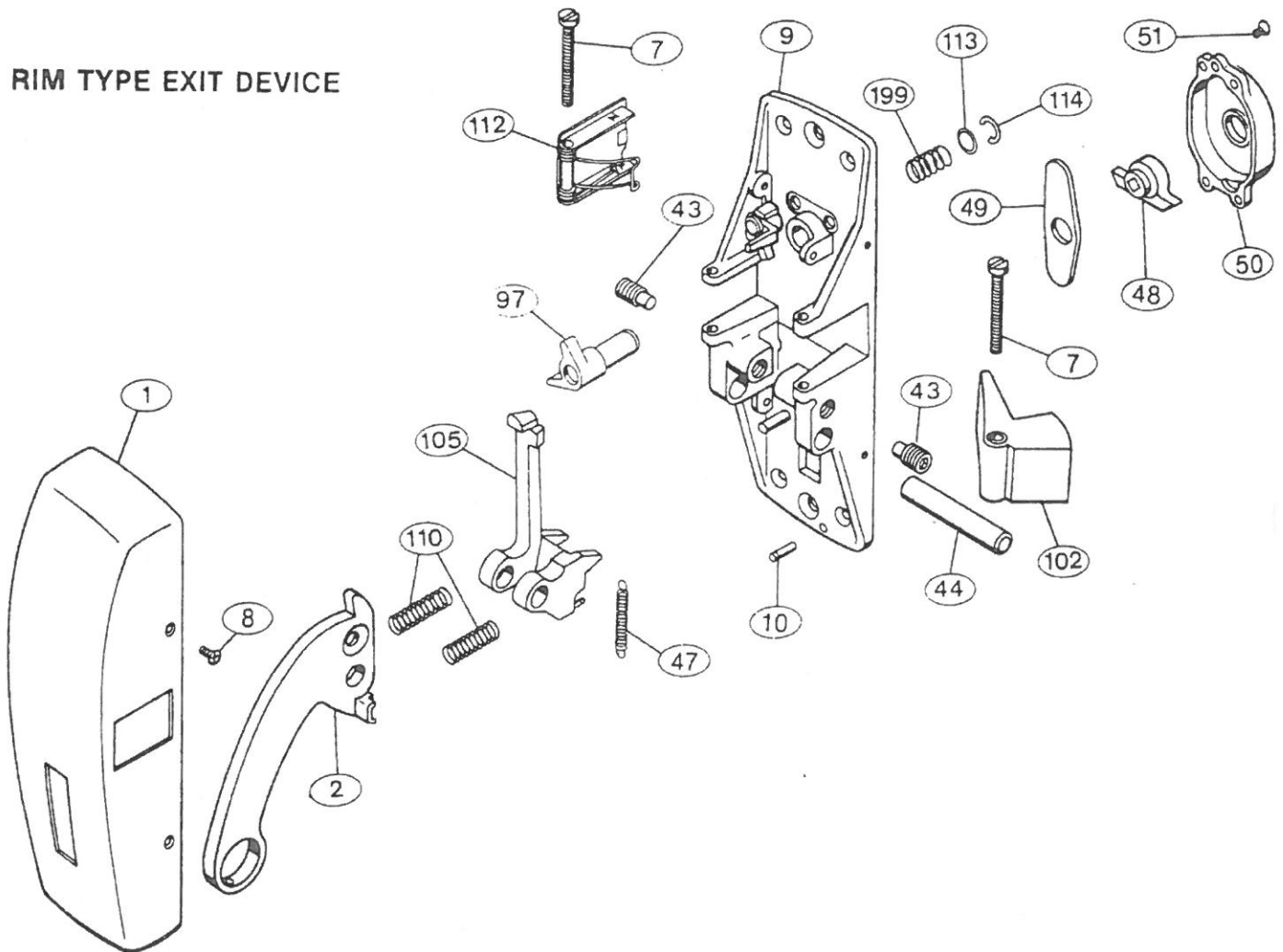
ITEM NO.	PART NO.	DESCRIPTION	REQ
1	98-0209	Cover	1
2	98-2156	Arm Sub Assy.	1
7	01-0013	Cap Screw	2
8	97-0052	Cover Screw	4
9	98-0127	Chassis	1
14	98-0011	Latch Bolt Lever Pivot Pin (04)	1
42	97-0031	Main Arm Spacer	2
43	97-0010	Bar Locking Screw	2
44	97-0030	Pivot Pin	1
97	98-0018	O/S Cylinder Hub (04)	1
98	98-0010	Latch Bolt Lever (04)	1
102	98-2157	Latch Bolt Assy.	1
110	98-0111	Main Arm Spring	2
112	98-2159	L.B. Spring & Sub Assy.	1
113	01-0408	Washer (04)	1
114	01-0084	Retaining Ring (04)	1
199	98-0115	Compression Spring (04)	1

### Parts List

Page No. Rev.  
98.1 A

			Full Chassis Assembly	Chassis Assembly Less Cover	Full 12- Prefix Chassis Assembly	12- Prefix Chassis Less Cover
9800	13 Function	LHRB RHRB	98-2512	98-2505	98-2490 98-2491	98-2473 98-2474

### RIM TYPE EXIT DEVICE



ITEM NO.	PART NO.	DESCRIPTION	REQ
1	98-0209	Cover	1
2	98-2156	Arm Sub Assy.	1
7	01-0013	Screw	2
8	97-0052	Cover Screw	4
9	98-2458	Chassis	1
10	01-0008	Groove Pin	2
43	97-0010	Bar Locking Screw	2
44	97-0030	Pivot Pin	1
47	97-0050	Spring	1
48	97-0042	Knob Hub	1
49	97-0043	Knob Hub Retainer	1

ITEM NO.	PART NO.	DESCRIPTION	REQ
50	68-0367	Knob Hub Cover	1
51	01-3384	Machine Screw	2
97	98-0018	O/S Cyl Hub	1
102	98-2157	Latch Bolt Assy.	1
105	98-2425	Knob Lever Assy.	1
110	98-0111	Main Arm Spring	2
112	98-2159	L.B. Spring & Sup. Assy.	1
113	01-0408	Washer	1
114	01-0084	Retaining Ring	1
199	98-0115	Spring	1

Parts List	
Page No.	Rev.
98.2	A

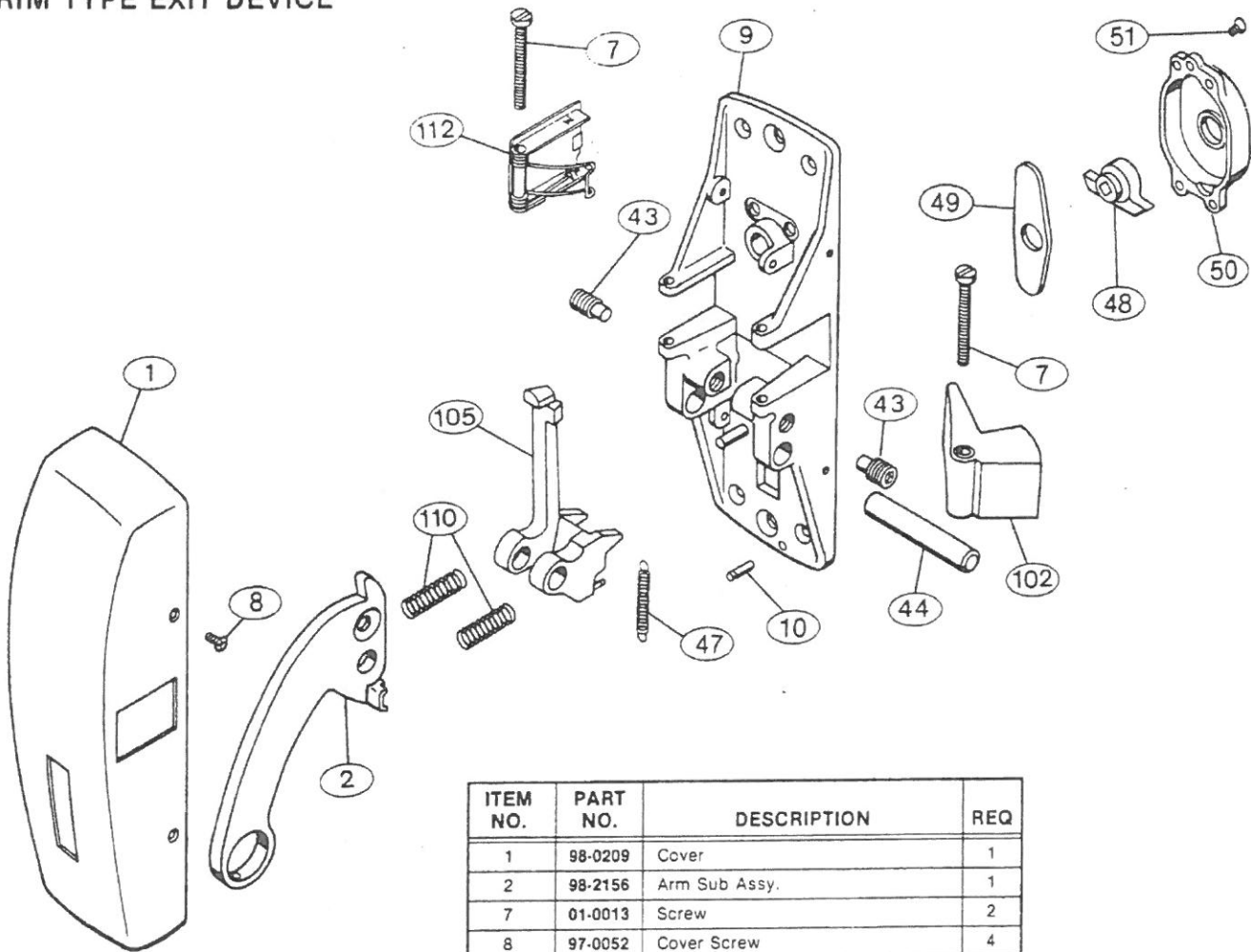
# 90 series

## Center Case

9815

			Full Chassis Assembly	Chassis Assembly Less Cover	Full 12- Prefix Chassis Assembly	12- Prefix Chassis Less Cover
9800	15 Function	LHRB RHRB	98-2513	98-2506	98-2492 98-2493	98-2475 98-2476

### RIM TYPE EXIT DEVICE



ITEM NO.	PART NO.	DESCRIPTION	REQ
1	98-0209	Cover	1
2	98-2156	Arm Sub Assy.	1
7	01-0013	Screw	2
8	97-0052	Cover Screw	4
9	98-0210	Chassis	1
10	01-0008	Groove Pin	2
43	97-0010	Bar Locking Screw	2
44	97-0030	Pivot Pin	1
47	97-0050	Spring	1
48	97-0042	Knob Hub	1
49	97-0043	Knob Hub Retainer	1
50	68-0367	Knob Hub Cover	1
51	01-3384	Machine Screw	2
102	98-2157	Latch Bolt Assy.	1
105	98-2425	Knob Lever Assy.	1
110	98-0111	Main Arm Spring	2
112	98-2159	L.B. Spring & Sup. Assy.	1

### Parts List

Page No. Rev.  
98.3 A



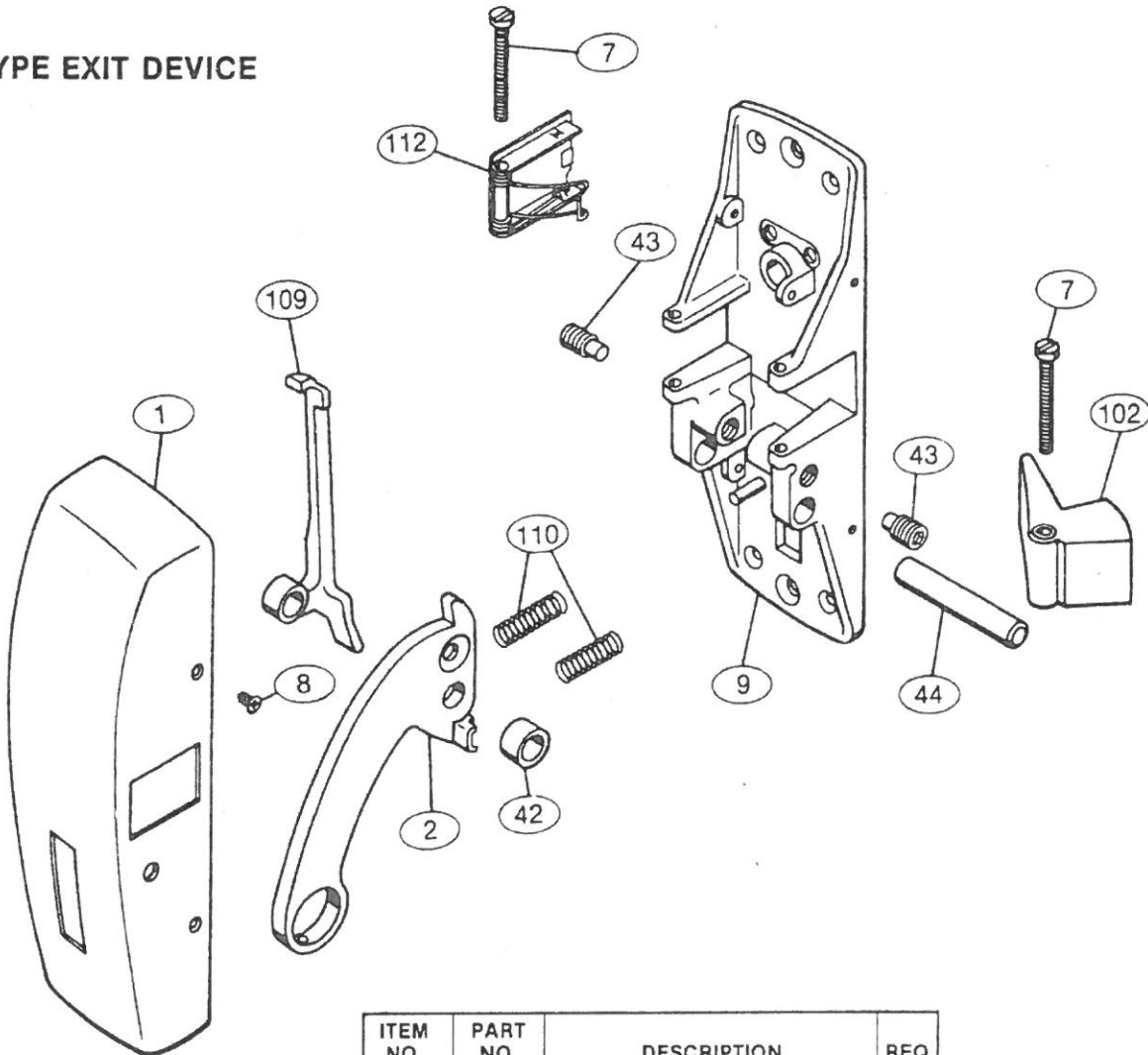
# 90 series

## Center Case

9828

			Full Chassis Assembly	Chassis Assembly Less Cover	Full 12- Prefix Chassis Assembly	12- Prefix Chassis Less Cover
9800	28 Function	LHRB RHRB	98-2514	98-2507	98-2494 98-2495	98-2477 98-2478

### RIM TYPE EXIT DEVICE



ITEM NO.	PART NO.	DESCRIPTION	REQ
1	98-0209	Cover	1
2	98-2156	Arm Sub Assembly	1
7	01-0013	Cap Screw	2
8	97-0052	Cover Mounting Screw	4
9	98-0127	Chassis	1
42	97-0031	Main Arm Spacer	1
43	97-0010	Bar Locking Screw	2
44	97-0030	Pivot Pin	1
102	98-2157	Latch Bolt Assembly	1
109	98-0124	Thumb Piece Lever	1
110	98-0111	Main Arm Spring	2
112	98-2159	Latch Bolt Spring & Support Sub Assy.	1

Parts List	
Page No.	Rev.
98.4	A

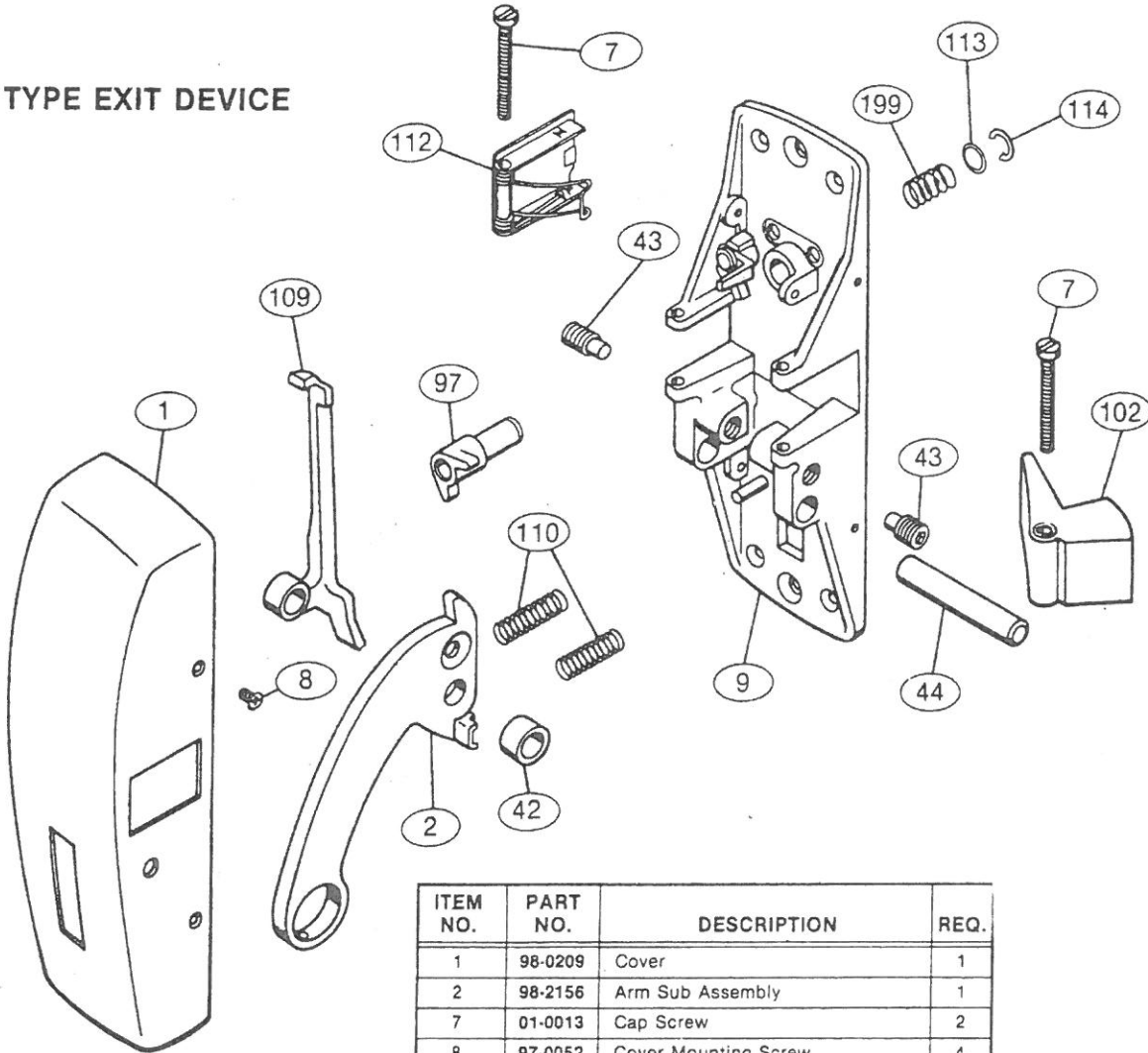
# 90 series

## Center Case

9863

			Full Chassis Assembly	Chassis Assembly Less Cover	Full 12- Prefix Chassis Assembly	12- Prefix Chassis Less Cover
9800	63 Function	LHRB RHRB	98-2515	98-2508	98-2496 98-2497	98-2479 98-2480

### RIM TYPE EXIT DEVICE

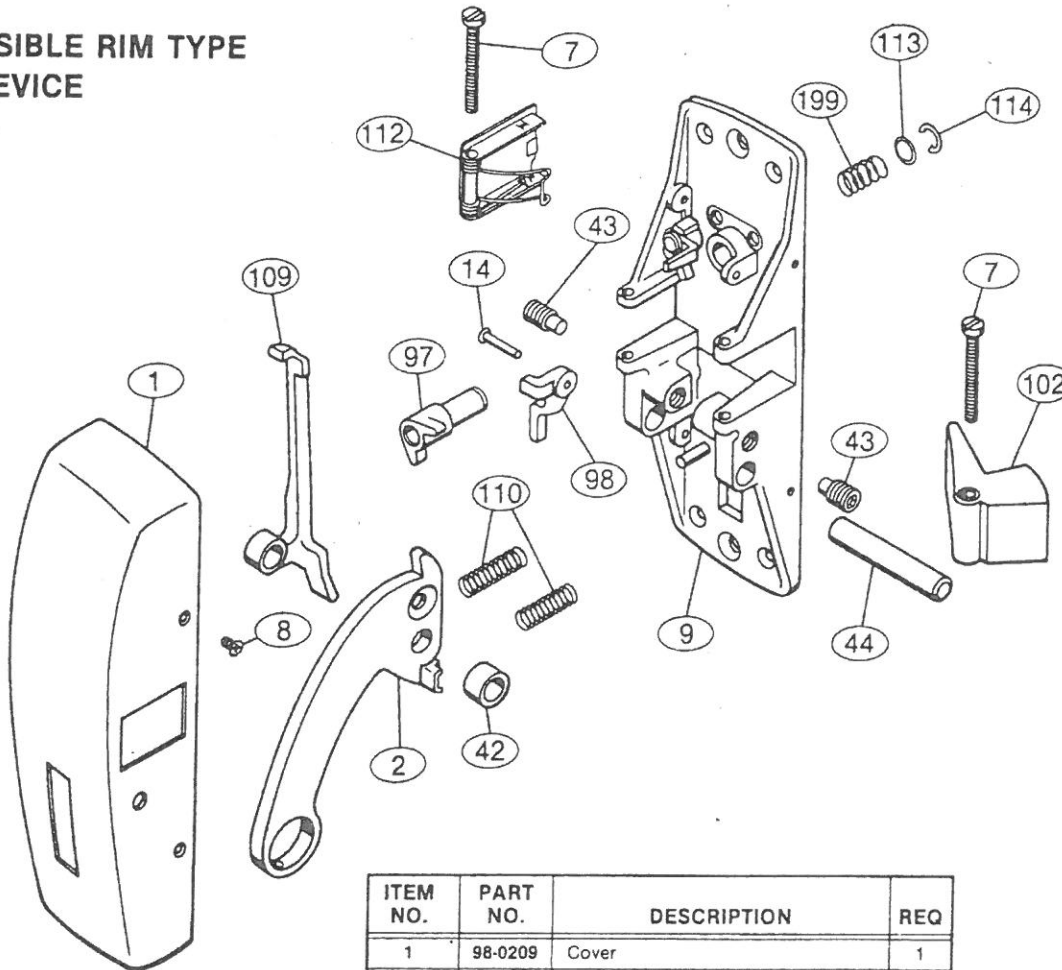


ITEM NO.	PART NO.	DESCRIPTION	REQ.
1	98-0209	Cover	1
2	98-2156	Arm Sub Assembly	1
7	01-0013	Cap Screw	2
8	97-0052	Cover Mounting Screw	4
9	98-2158	Center Case & Locking Lever Sub Assy.	1
42	97-0031	Main Arm Spacer	1
43	97-0010	Bar Locking Screw	2
44	97-0030	Pivot Pin	1
97	98-0018	Outside Cylinder Hub	1
102	98-2157	Latch Bolt Assembly	1
109	98-0124	Thumb Piece Lever	1
110	98-0111	Main Arm Spring	2
112	98-2159	Latch Bolt Spring & Support Sub Assy.	1
113	01-0408	Washer	1
114	01-0084	Retaining Ring	1
199	98-0115	Compression Spring	1

Parts List	
Page No.	Rev.
98.5	A

			Full Chassis Assembly	Chassis Assembly Less Cover	Full 12- Prefix Chassis Assembly	12- Prefix Chassis Less Cover
9898	4, 10, 63 Function	LHRB RHRB	98-2161	98-2163	N/A	N/A

### REVERSIBLE RIM TYPE EXIT DEVICE



ITEM NO.	PART NO.	DESCRIPTION	REQ
1	98-0209	Cover	1
2	98-2156	Arm Sub. Assy.	1
7	01-0013	Screw	2
8	97-0052	Cover Screw	4
9	98-2158	Chassis Assy.	1
14	98-0011	Latch Bolt Lever Pivot Pin	1
42	97-0031	Main Arm Spacer	1
43	97-0010	Bar Locking Screw	2
44	97-0030	Pivot Pin	1
97	98-0018	Outside Cylinder Hub	1
98	98-0010	Latch Bolt Lever	1
102	98-2157	Latch Bolt Assy.	1
109	98-0124	Thumb Piece Lever	1
110	98-0111	Main Arm Spring	2
112	98-2159	Bolt Spring & Bracket	1
113	01-0408	Washer	1
114	01-0084	Retaining Ring	1
199	98-0115	Compression Spring	1

Parts List	
Page No.	Rev.
98.6	A

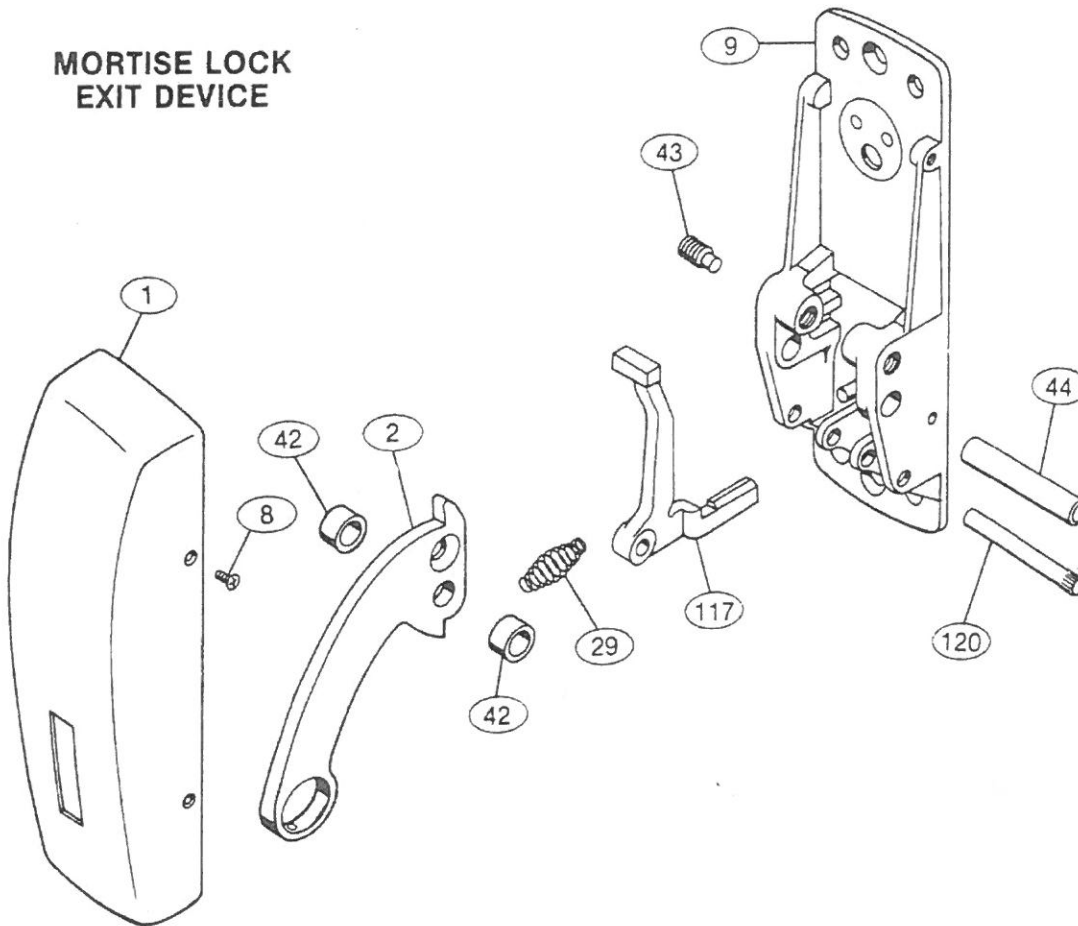
# 90 series

## Center Case

9904  
9910  
9913  
9915  
9963

			Full Chassis Assembly	Chassis Assembly Less Cover	Full 12- Prefix Chassis Assembly	12- Prefix Chassis Less Cover
9900	All functions	LHRB RHRB	99-2520 99-2521	99-2511 99-2512	99-2525 99-2526	99-2491 99-2492

### MORTISE LOCK EXIT DEVICE



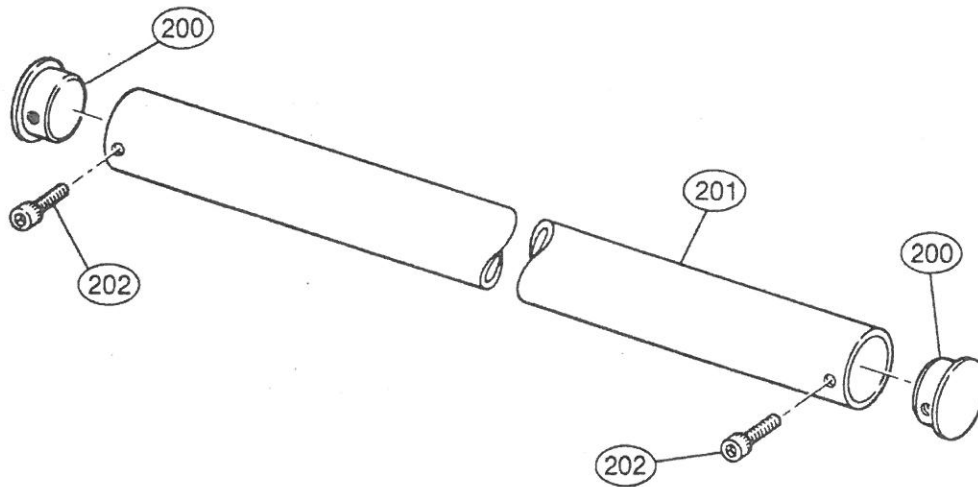
ITEM NO.	PART NO.	DESCRIPTION	REQ
1	99-0193	Cover RHRB	1
1	99-0192	Cover LHRB	1
1	99-0012	Cover for 12-	1
2	97-0028	Arm	1
8	97-0052	Screw	4
9	99-0006	Chassis	1
29	97-0012	Main Arm Spring	1
42	97-0031	Main Arm Spacer	2
43*	97-0010	Bar Locking Screw	1
44	97-0030	Pivot Pin	1
117	99-0272	Mortise Lock Lever RHRB	1
117	99-0271	Mortise Lock Lever LHRB	1
120	99-0011	Pivot Pin	1

### Parts List

Page No. Rev.  
99.1 A

# 90 series

## Crossbar, Cap and Screw



ITEM NO.	PART NO.	DESCRIPTION	REQ
200	97-0008	End Plug	2
201	97-0007	Crossbar	1
202	01-0014	Screw	2

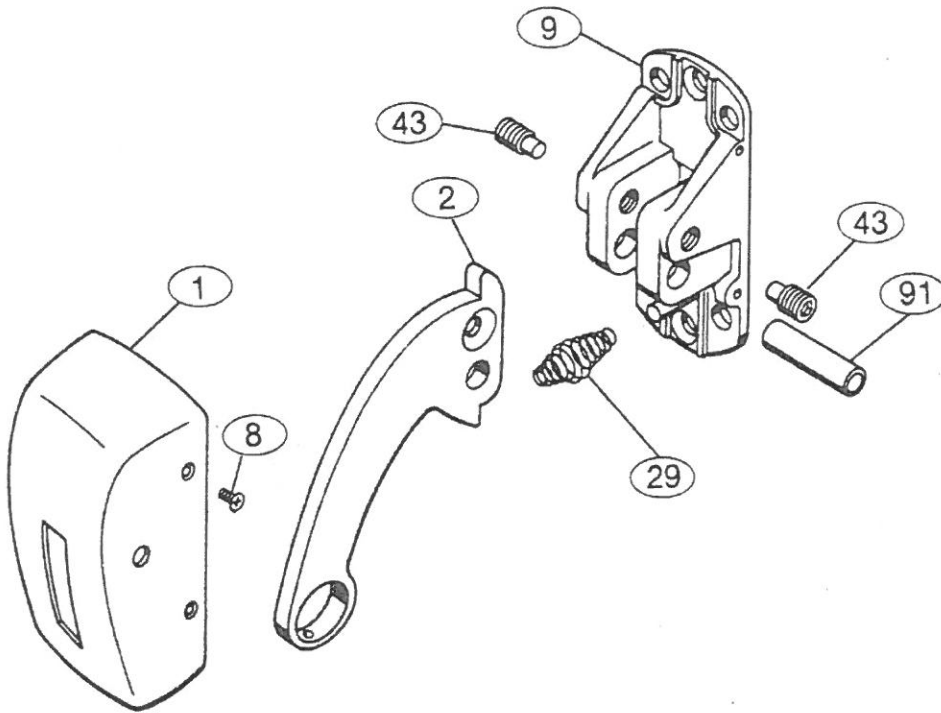
97-2049 Crossbar Pack (Includes 200, 201, 202)

Parts List	
Page No.	Rev.
99.2	A

# 90 series

## Hinge Stile Cases

9700  
9800  
9898  
9900



ITEM NO.	PART NO.	DESCRIPTION	REQ
1	98-0117	Cover	1
1	97-0015	Cover (12- only)	1
1	97-0016	Cover LHRB (9900)	1
1	97-0017	Cover RHRB (9900)	1
2	97-0028	Arm	1
8	97-0052	Cover Screw	4
9	97-0026	Chassis	1
29	97-0012	Main Arm Spring	1
43	97-0011	Bar Locking Screw	2*
91	97-0029	Bracket Pivot Pin	1

\*Only one required for 9900.

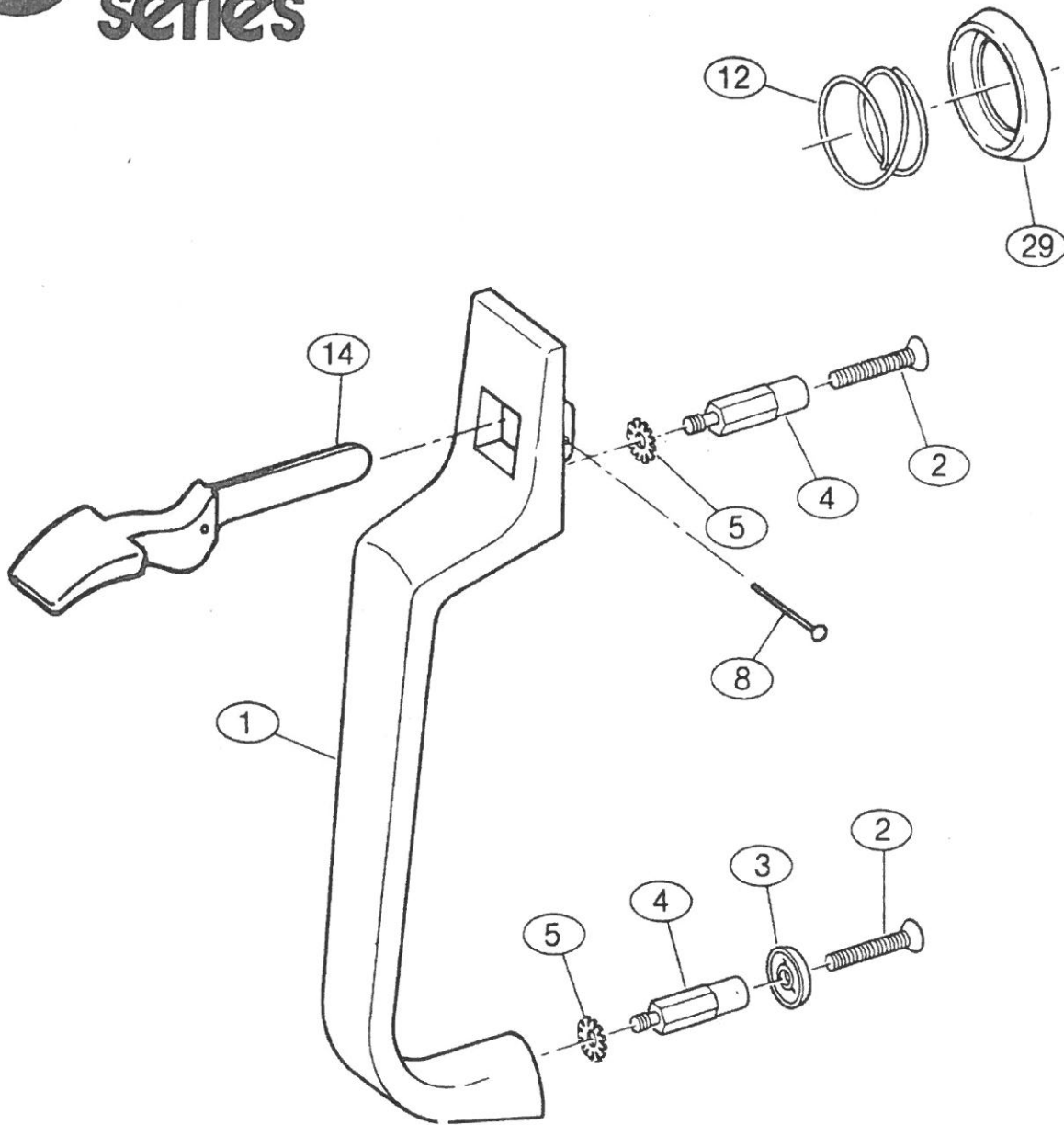
98-2162 Bracket Pack for 9700, 9800 and 9898 (includes cover)  
98-2297 Bracket Pack for 9900 LHRB (includes cover)  
98-2298 Bracket Pack for 9900 RHRB (includes cover)

### Parts List

Page No. Rev.  
99.3 A

# 90 series

STS



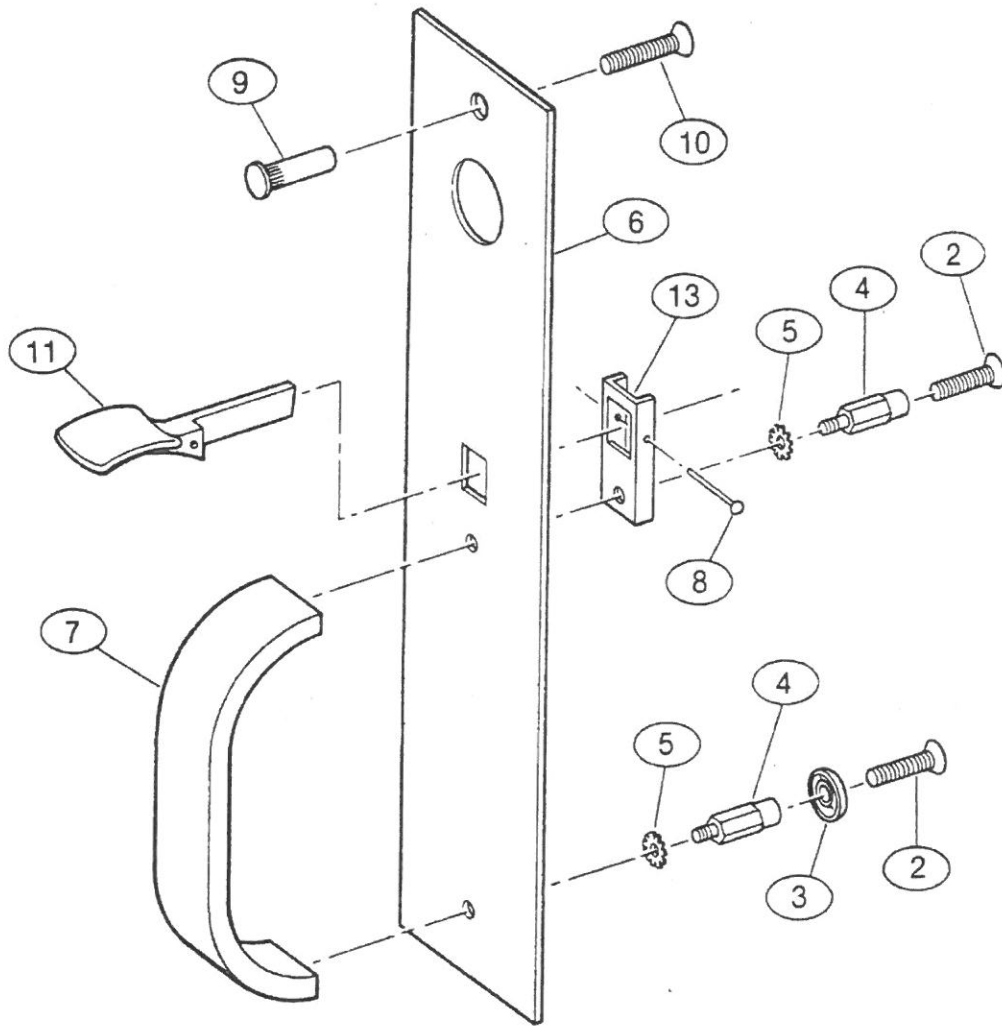
Item No.	Part No.	DESCRIPTION	Catalog No.				
			(04) 98-K-ST5/ 876	(10) 98-D-ST5/ 876DT	(28) 886	(63) 896	(63) 98-T-ST5
1	97-0064	Grip	1	1			
1	97-0058	Grip			1	1	1
2	01-3454	1/4-20 x 1 1/2" Machine Screw	2	2	2	2	2
3	01-0225	1 1/2" Cup Washer	1	1	1	1	1
4	98-0071	Thru Bolt Stud	2	2	2	2	2
5	01-0227	1 3/4" Lock Washer	2	2	2	2	2
8	97-0156	Oval Head Rivet			1	1	1
12	13-0140	Cylinder Collar Spring	1			1	1
14	97-0203	Thumb Piece (LHR)			1	1	
14	97-0214	Thumb Piece (RHR)			1	1	1
29	13-0139	Cylinder Collar	1			1	1

## Parts List

Page No. Rev.  
99.4 A

# 90 series

PTB



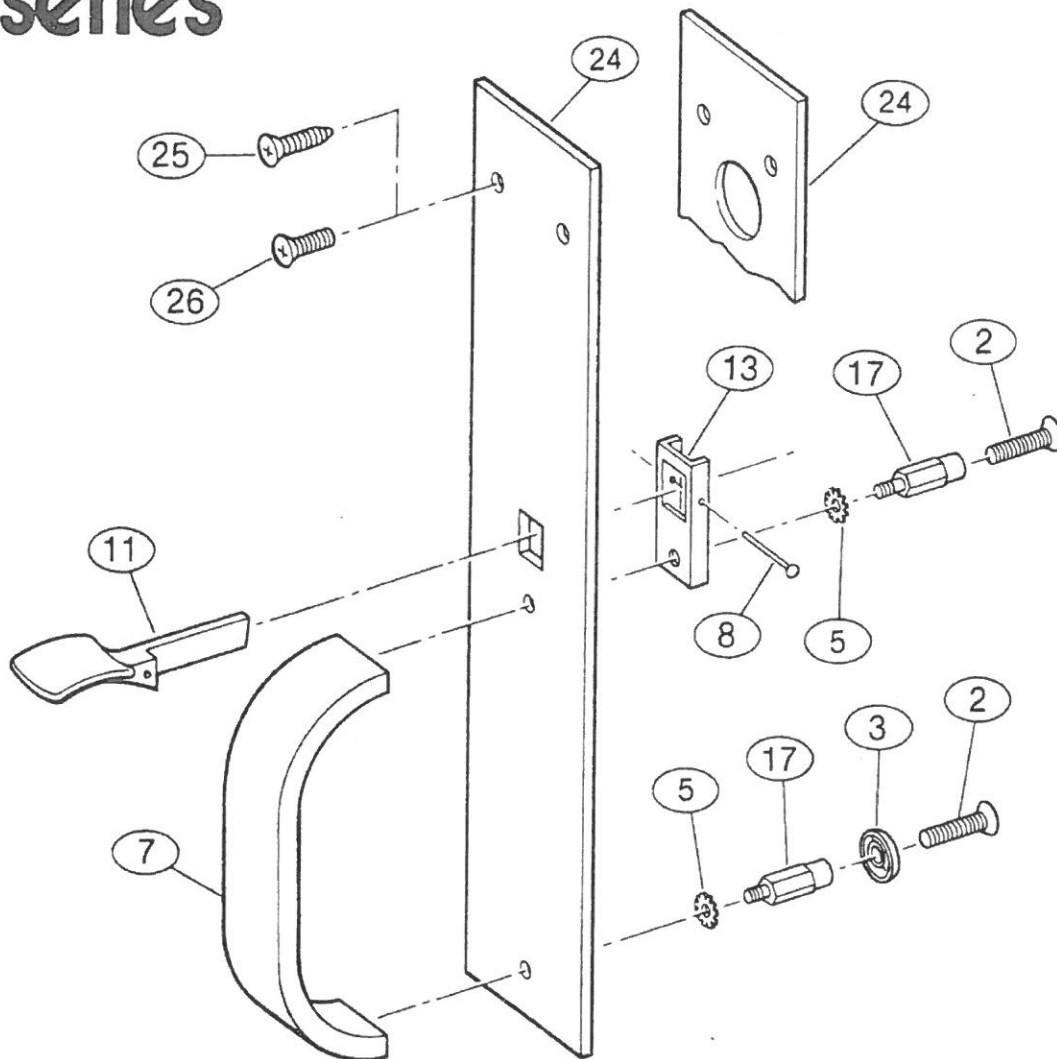
ITEM No.	PART No.	DESCRIPTION	Catalog No.					
			98-E-PTB 802	(04) 98-K-PTB 812	(10) 98-D-PTB 812DT	(63) 98-T-PTB	(63) 832	(28) 842
2	01-3454	¼-20 x 1¼" Machine Screw		2	2	2	2	2
3	01-0225	½" Cup Washer		1	1	1	1	1
4	98-0071	Thru Bolt Stud		2	2	2	2	2
5	01-0227	¼" Lock Washer		2	2	2	2	2
6	98-0125	Plate	1					
6	98-0118	Plate		1				
6	98-0126	Plate			1			
6	98-0119	Plate				1	1	
6	97-0291	Plate						1
7	21-0165	Grip		1	1	1	1	1
8	97-0156	Oval Head Rivet				1	1	1
9	97-0060	Grommet Nut		1	1	1	1	1
10	01-4445	¼-20 x 1¼" Machine Screw		1	1	1	1	1
11	97-0182	Thumb Piece (LHR)					1	1
11	97-0189	Thumb Piece (RHR)					1	1
13	97-0131	Thumb Piece Backup Plate				1	1	1

**Parts List**  
 Page No. Rev.  
 99.5 A



# 90 series

MAL



ITEM No.	PART No.	DESCRIPTION	Catalog No.				
			(04) 98-K-MAL 818	(10) 98-D-MAL 818DT	(28) 828	(63) 838	(63) 98-T-MAL
2	01-3454	1/4-20 x 1 1/4" Machine Screw	2	2	2	2	2
3	01-0225	1 1/2" Cup Washer	1	1	1	1	1
5	01-0227	1 1/2" Lock Washer	2	2	2	2	2
7	21-0165	Grip	1	1	1	1	1
8	97-0156	Oval Head Rivet			1	1	1
11	97-0182	Thumb Piece (LHR)			1	1	
11	97-0189	Thumb Piece (RHR)			1	1	1
13	97-0131	Thumb Piece Backup Plate			1	1	1
17	97-0119	Thru Bolt Stud	2	2	2	2	2
24	98-0049	Plate	1				
24	97-0114	Plate		1			
24	97-0286	Plate			1		
24	97-0122	Plate				1	1
25	01-2089	#10 x 1" Wood Screw	2	2	2	2	2
26	01-3192	#10-24 x 3/4" Machine Screw	2	2	2	2	2
30	97-2646	Screw Pack * (1 1/2" door)	1	1	1	1	1

**Parts List**  
Page No. 99.6 Rev. A

\* Includes items 2, 3, 25 and 26

PART NO.	DESCRIPTION
01-2066	#8 x 1 $\frac{1}{4}$ " Phil Oval Head Wood Screw (Brass/SS)
01-2273	#10 x 1 $\frac{1}{4}$ " Phil Flat Head Wood Screw
01-2299	#12 x 1 $\frac{1}{4}$ " Phil Flat Head Wood Screw
01-2493	#14 x 1" Phil Round Head Wood Screw
94-0092	8-32 x $\frac{1}{32}$ " #6 Phil Oval Head Mach Screw (SS/ Brass)
97-0052	8-32 x $\frac{1}{16}$ " #6 Phil Oval Head (Undercut) Mach Screw (Brass/SS)
01-1031	10-24 x $\frac{3}{8}$ " Phil Oval Head (Undercut) Mach Screw
01-3404	10-24 x $\frac{1}{2}$ " Phil Flat Head Mach Screw
01-3622	10-24 x $\frac{3}{4}$ " Phil Round Head Mach Screw
01-1185	10-24 x $\frac{3}{4}$ " Phil Flat Head (Undercut) Mach Screw
01-1032	10-24 x 1 $\frac{1}{4}$ " #8 Phil Oval Head Mach Screw (Brass/SS)
01-3627	10-24 x 1 $\frac{1}{2}$ " Phil Round Head Mach Screw
01-4442	10-24 x 1 $\frac{1}{2}$ " Phil Flat Head Mach Screw
01-3629	10-24 x 2" Phil Round Head Mach Screw
01-3415	10-24 x 2 $\frac{1}{4}$ " Phil Flat Head Mach Screw
01-1033	10-24 x 2 $\frac{1}{2}$ " #8 Phil Oval Head Mach Screw (Brass)
01-1155	10-24 x 2 $\frac{1}{2}$ " #8 Phil Oval Head Mach Screw (Brass)
01-1143	12-24 x $\frac{3}{8}$ " Phil Flat Head (Undercut) Mach Screw
01-3660	$\frac{1}{4}$ -20 x $\frac{3}{8}$ " Phil Round Head Mach Screw
01-3669	$\frac{1}{4}$ -20 x 1 $\frac{1}{4}$ " Phil Round Head Mach Screw
01-3454	$\frac{1}{4}$ -20 x 1 $\frac{1}{4}$ " Phil Flat Head Mach Screw
01-4445	$\frac{1}{4}$ -20 x 1 $\frac{1}{2}$ " Phil Flat Head Mach Screw
01-3458	$\frac{1}{4}$ -20 x 2 $\frac{1}{4}$ " Phil Flat Head Mach Screw
97-0009	Mortise Nut - #10-24
97-0060	Mortise Nut - $\frac{1}{4}$ -20
01-0418	Lock Washer
01-0227	External Shakeproof Washer
97-0001	Bar Locking Key
94-0028	#10-24 x $\frac{3}{8}$ " Slotted Fill. Head Mach Screw

**Parts List**

Page No. Rev.  
99.7 A

# 90 series

## SCREW PACKS

		STANDARD MOUNTING			THRU BOLTING	
		Metal Door	1 3/4" Wood Door	2 3/4" Wood Door	1 3/4" Door	2 3/4" Door
<b>S E R I E S</b>	<b>Guide Screws</b>	97-2565	97-2565	97-2565	97-2566	97-2567
	<b>Cover Screws</b>	97-2563	97-2563	97-2563	97-2563	97-2563
	9700 13-9700 14-9700	97-2570	97-2570	97-2570	97-2579	97-2592
	12-9700	97-2573	97-2574	97-2587	97-2965	97-2966
	9800	97-2569	97-2569	97-2569	97-2578	97-2591
	12-9800	97-2569	97-2569	97-2569	97-2578	97-2591
	9898	97-2569	97-2569	97-2569	—	—
	9900	97-2569	97-2569	97-2569	97-2578	97-2591
	12-9900	97-2569	97-2569	97-2569	97-2578	97-2591

### Parts List

Page No.	Rev.
99.8	A

# 90 series

## PARTS LIST

PART NO.	DESCRIPTION	9713	9710	9715, 9728	9762, 9763	9804, 10	9813, 15	9828, 63	9898	9928, 04, 10, 13, 15, 63	12-9706, 13	12-9710	12-9715, 12-9728	12-9762, 63	12-9804, 10	12-9813, 15	12-9828, 63	12-9904, 10, 13, 15	12-9928, 63	13-9700	
01-0005	Truarc Ring	1		1						1			1	1	1	1					
01-0007	Groove Pin	1	1	1						1		1	1								
01-0008	Groove Pin (No. 61)	1	1	1		2	1			1		1	1	1	2	1					
01-0013	Screw				2	2	2	1							1	1	1				
01-0014	Socket Hd. Cap Scrw	2	2	2	2	2	2	2	2	2	2	2	2	2	2	2	2	2	2	2	2
01-0084	Retaining Ring				1	1	1	1													
01-0408	Washer				1	1	1	1													
01-0461	Spirol Pin																				1
01-0476	Nylliner									2	2	2	2								
01-0695	Spirol Pin									1	1	1	1								
01-0697	Spirol Pin	1	1	1	1																1
01-1032	Machine Screw for Rod Guides	4	4	4	4					4	4	4	4								
01-1146	Machine Screw (8-32)			2	2									2							
01-1190	Machine Screw (#6-32)	1		1						1			1								
01-2066	Wood Screw for Rod Guides	4	4	4	4					4	4	4	4								
01-3384	Machine Screw	2	2			2				2	2				2						
01-4011	Screw #6-32 x 3/8"									4	4	4	4								
01-4195	Screw 4-40 x 3/8"									2	2	2	2								
68-0323	Chassis Pin	1	1	1	1					1	1	1	1								
68-0324	Lift Lever Pivot Pin	1	1	1	1					1	1	1	1								
68-0367	Knob Hub Cover					1															
97-0006	Locking Slide Spring	1		1						1			1								
97-0007	Crossbar	1	1	1	1	1	1	1	1	1	1	1	1	1	1	1	1	1	1	1	1
97-0008	End Plug	2	2	2	2	2	2	2	2	2	2	2	2	2	2	2	2	2	2	2	2
97-0010	Bar Locking Screw	2	2	2	2	2	2	2	2	2											
97-0011	Bar Locking Screw							2													
97-0012	Main Arm Spring	2	2	2	2	2	2	2		2	2	2	2	2	1	1	1	2	2		
97-0015	Cover for 12- Hinge Case									1	1	1	1	1	1	1	1	1			
97-0016	Cover LHRB - Hinge Case	1	1	1	1	1	1	1		1											
97-0017	Cover RHRB - Hinge Case	1	1	1	1	1	1	1		1											
97-0018	Top & Bottom Case Cover	2	2	2	2																
97-0020	Rod Guide	2	2	2	2					2	2	2	2								
97-0021	Vertical Rod Chassis (10, 15, 28)		1	1								1	1	1							
97-0022	Vertical Rod Chassis (62, 63)	1		1						1			1								
97-0025	Chassis																				1
97-0026	Hinge Stile Chassis	1	1	1	1	1	1	1	1	1	1	1	1	1	1	1	1	1	1	1	1
97-0028	Arm	2	2	2	2	1	2	2	1	2	2	2	2	2	1	1	1	2	2		
97-0029	Bracket Pivot Pin	1	1	1	1	1	1	1	1	1	1	1	1	1	1	1	1	1	1	1	1
97-0030	Center Case Pivot Pin	1	1	1	1	1	1	1	1	1	1	1	1	1	1	1	1	1	1	1	1
97-0031	Main Arm Spacer	2	2	2	2	2		1	1	2	2	2	2	2		1	2	2			

# 90 series

## PARTS LIST

PART NO.	DESCRIPTION	9713	9710	9715, 9728	9762, 9763	9804, 10	9813, 15	9828, 63	9898	9928, 04, 10, 13, 15, 63	12-9706, 13	12-9710	12-9715, 12-9728	12-9762, 63	12-9804, 10	12-9813, 15	12-9828, 63	12-9904, 10, 13, 15	12-9928, 63	13-9700	
97-0032	Main Slide	1	1	1	1						1	1	1	1							
97-0034	Top or Bottom Rod	2	2	2	2						2	2	2	2							2
97-0035	Retractor	1	1	1	1																1
97-0036	Sliding Bolt										1	1	1	1							
97-0037	Knob Slide	1	1								1	1									
97-0038	Latch Retracting Lever										1	1	1	1							1
97-0041	Knob Hub Cover	1	1			1					1	1			1						
97-0042	Knob Hub	1	1			1					1	1			1						
97-0043	Knob Hub Retainer	1	1			1					1	1			1						
97-0044	Lift Lever Pivot Pin										1	1	1	1							
97-0046	Retaining Pin	2	2	2	2																2
97-0047	Chassis Pin (9700)										1	1	1	1							
97-0048	Rod Adj. Pin	2	2	2	2						2	2	2	2							2
97-0049	Rod Adj. Pin (13-9700)										1	1	1	1							1
97-0050	Knob Return Spring	1	1	1		1					1	1	1		1						
97-0051	Spring										1	1	1	1							1
97-0052	Cover Screw	16	16	16	16	8	8	8	8	8	16	16	16	16	8	8	8	8	8	8	8
97-0053	Latch Bolt	1	1	1	1																1
97-0065	Pivot Pin										1	1	1	1							1
97-0075	Lift Lever	1	1	1	1						1	1	1	1							
97-0076	Sliding Bolt										1	1	1	1							
97-0079	Filler Cap										1	1	1	1							
* 97-0080	Chassis - Top & Bot. 12-										2	2	2	2							
* 97-0084	Cover - Top 12-										1	1	1	1							
97-0086	Chassis Cover 12-9700										1	1	1	1							
97-0087	Bottom 12- Cover										1	1	1	1							
97-0089	Thumb Piece Lever (28,62,63)			1	1								1	1							
97-0090	Thumb Piece Slide (28,62,63)			1	1								1	1							
97-0101	Retractor Spring	1	1	1	1																1
97-0270	Reinforcement										2	2	2	2							
97-0294	Pivot Pin	1	1	1	1																1
97-0295	Chassis (9700)	1	1	1	1																
97-0296	Latch Bolt	1	1	1	1																1
97-0298	Top Slide	1	1	1	1																1
97-0299	Chassis 13-9700																				1
97-0300	Spring	1	1	1	1																1
97-0305	Insert										4	4	4	4							
97-0370	Cover	1	1	1	1																
97-2001	Locking Slide Assembly	1		1							1		1								
97-2048	Cylinder Hub Assembly	1		1							1		1								

\*Parts prior to 1992.

<b>Parts List</b>	
Page No.	Rev.
99.10	A



# PARTS LIST

PART NO.	DESCRIPTION	9713	9710	9715, 9728	9762, 9763	9804, 10	9813, 15	9828, 63	9898	9928, 04, 10, 13, 15, 63	12-9706, 13	12-9710	12-9715, 12-9728	12-9762, 63	12-9804, 10	12-9813, 15	12-9828, 63	12-9904, 10, 13, 15	12-9928, 63	13-9700	
98-0010	Latch Bolt Lev					1		1													
98-0011	Lever Pivot Pin					1		1													
98-0018	Outside Cylinder Hub					1	1	1	1						1	1	1				
98-0111	Main Arm Spring					2	2	2	2						2	2	2				
98-0115	Compression Spring					1	1	1	1												
98-0117	9898 - Hinge Cover								1												
98-0124	Thumb Piece Lever							1	1												
98-0127	Chassis (04,10,28)					1		1													
98-0136	Thumb Piece Lever LHRB																	1			
98-0137	Thumb Piece Lever RHRB																		1		
98-0145	Auxiliary Lever LHRB														1						
98-0146	Auxiliary Lever RHRB														1						
98-0209	Cover					1	1	1	1												
98-0210	Chassis - 9815						1														
98-0230	Chassis LHRB (04,10,15,28)														1	1	1				
98-0231	Chassis RHRB (04,10,15,28)														1	1	1				
98-2034	Latch Bolt Assembly LHRB														1	1	1				
98-2035	Latch Bolt Assembly RHRB														1	1	1				
98-2156	Arm Sub Assembly					1	1	1	1						1	1	1				
98-2157	Latch Bolt Assembly					1	1	1	1												
98-2158	Chassis Assembly (63 and 9898)							1	1												
98-2159	Bolt Spring & Bracket					1	1	1	1												
98-2193	Knob Lever Assembly LHRB																	1			
98-2194	Knob Lever Assembly RHRB																	1			
98-2312	Top & Bot. Retainers for 12-980																				
98-2417	Chassis Assembly RHRB														1	1	1				
98-2418	Chassis Assembly LHRB														1	1	1				
98-2425	Knob Lever Assembly					1															
98-2458	Chassis - 9813					1															
98-2466	Chassis & Lkg. Lever Assy. LHRB (13,63)																1	1			
98-2467	Chassis & Lkg. Lever Assy. RHRB (13,63)																1	1			
99-0006	Chassis									1										1	1
99-0011	Pivot Pin									1										1	1
99-0012	Cover (12-9900)																			1	1
99-0192	Cover - LHRB									1											
99-0193	Cover - RHRB									1											
99-0272	Mortise Lock Lever - RHRB									1										1	1
99-0271	Mortise Lock Lever - LHRB									1										1	1