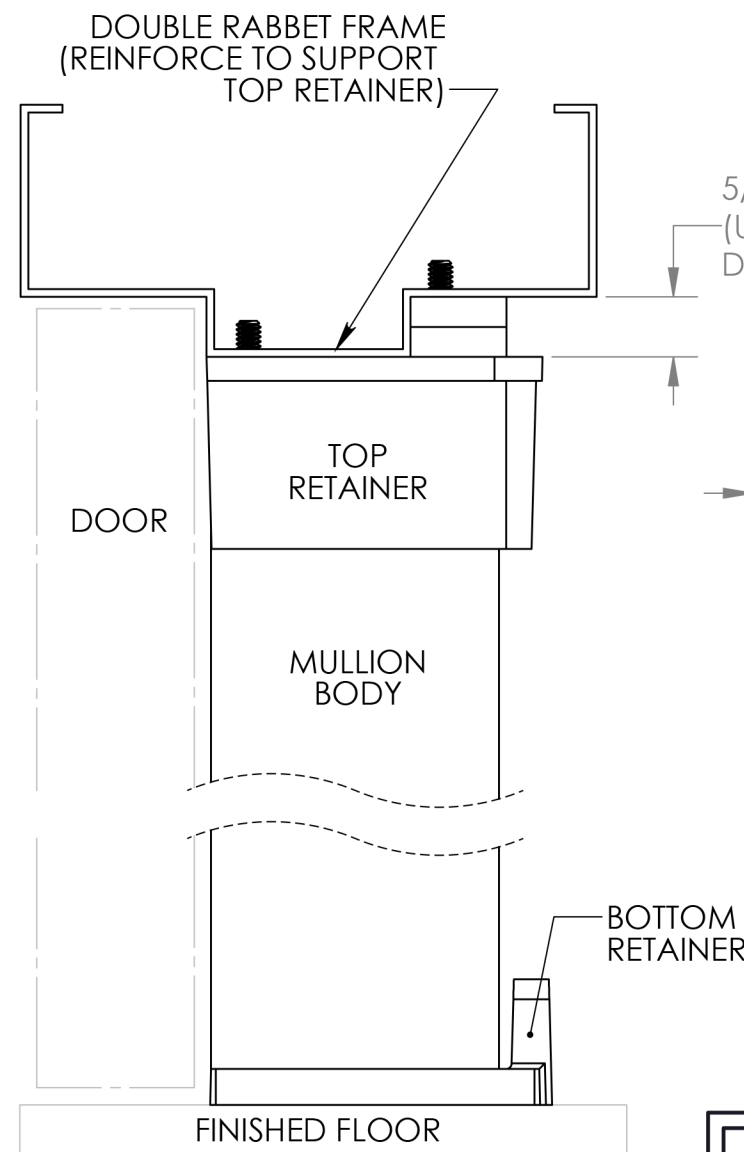
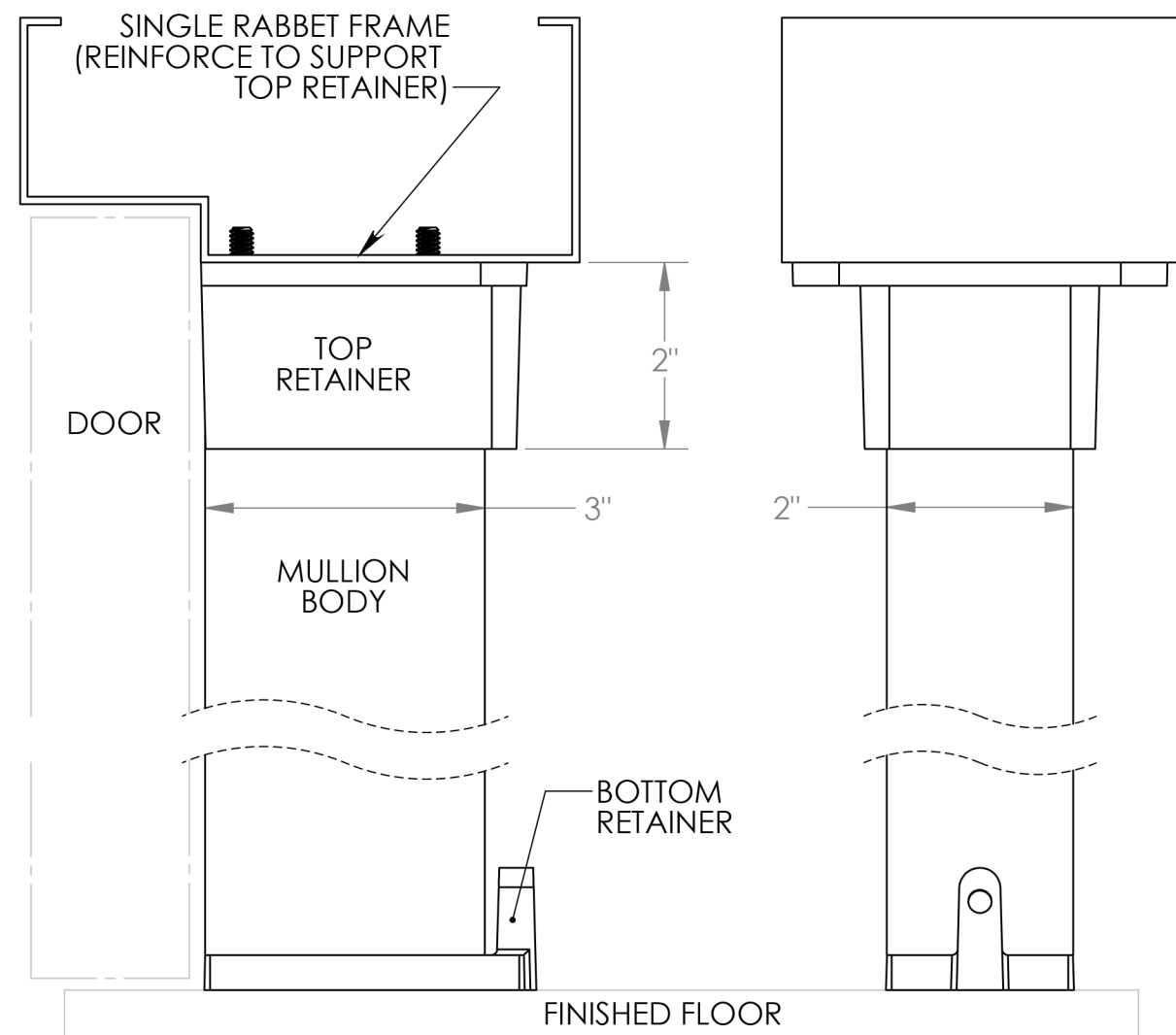
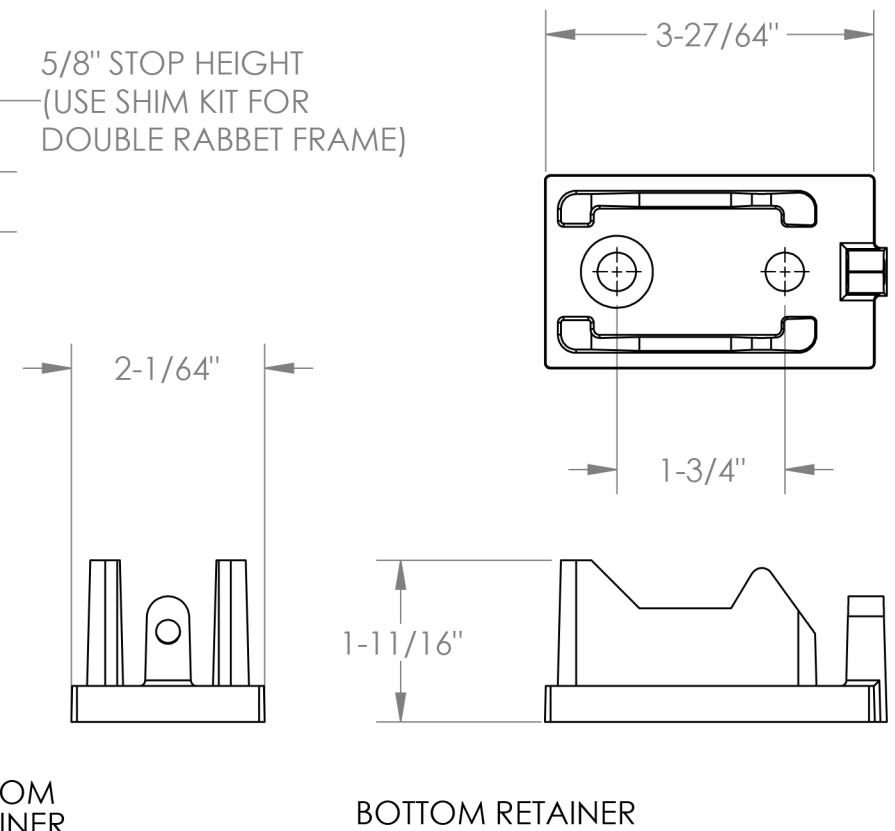


TOP VIEW OF TOP RETAINER



DOUBLE RABBET FRAME SHOWN



- NOTES:
1. FRACTIONAL DIMENSION TOLERANCE  $\pm 1/64"$ .
  2. MOUNTING HOLES TO BE PREPARED AT INSTALLATION.

<b>SARGENT</b> Manufacturing Company 100 Sargent Drive New Haven, CT 06511	
METAL FRAME TEMPLATE FOR MULLIONS 12-980, 12-L980, 980S L980S & EL980	RELEASE DATE 1 DEC 2019
	TEMPLATE NO. 4206-7